

US00D906388S

(12) **United States Design Patent** (10) **Patent No.:** **US D906,388 S**  
**Zentmyer** (45) **Date of Patent:** **\*\* Dec. 29, 2020**

(54) **AUTOMATIC LOCKING DIFFERENTIAL**  
(71) Applicant: **Torq-Masters Industries, Inc**, Victor, NY (US)  
(72) Inventor: **John H. Zentmyer**, Lakeside, CA (US)  
(73) Assignee: **Torq-Masters Industries, Inc.**, Victor, NY (US)

5,590,572 A 1/1997 Valente  
5,591,098 A 1/1997 Jones et al.  
5,603,246 A 2/1997 Zentmyer  
5,637,049 A 6/1997 Zentmyer  
5,715,733 A 2/1998 Dissent  
(Continued)

(\*\*) Term: **15 Years**

(21) Appl. No.: **29/694,449**

(22) Filed: **Jun. 11, 2019**

(51) **LOC (12) Cl.** ..... **15-99**

(52) **U.S. Cl.**  
USPC ..... **D15/148**

(58) **Field of Classification Search**  
USPC ..... D12/160, 161, 400; D13/123, 133, 151, D13/184; D15/5, 143, 148, 149  
CPC ..... F16H 48/08; F16H 48/24; F16H 48/32  
See application file for complete search history.

(56) **References Cited**

U.S. PATENT DOCUMENTS

1,430,744 A	10/1922	Lewis	
1,477,137 A	12/1923	Lewis	
1,711,371 A	4/1929	Zentmyer	
2,034,001 A *	3/1936	Ricefield	F16D 3/68 464/73
2,555,044 A	5/1951	Lewis	
D193,027 S *	6/1962	Seigel	D15/148
D205,312 S *	7/1966	Hauser	D15/149
D221,353 S *	8/1971	Fox	D15/148
3,745,800 A	7/1973	Zentmyer	
4,071,808 A	1/1978	Zentmyer	
4,109,912 A	8/1978	Zentmyer	
D263,308 S *	3/1982	Miller	180/249
4,498,355 A	2/1985	Schou	
4,759,232 A	7/1988	Roberts	
5,413,015 A	5/1995	Zentmyer	

OTHER PUBLICATIONS

Torq Locker TL, posted on torqmasters.com, no posted date given, no production date given, [online], [site visited Jun. 4, 2020], available from internet, URL: [https://www.torqmasters.com/torq\\_locker\\_tl\\_r1601b\\_subaru\\_one\\_bolt\\_r160](https://www.torqmasters.com/torq_locker_tl_r1601b_subaru_one_bolt_r160) (Year: 2020).\*

(Continued)

*Primary Examiner* — Michael C Stout  
*Assistant Examiner* — Fritzgerald L Butac  
(74) *Attorney, Agent, or Firm* — Michael J. Nickerson; Basch & Nickerson LLP

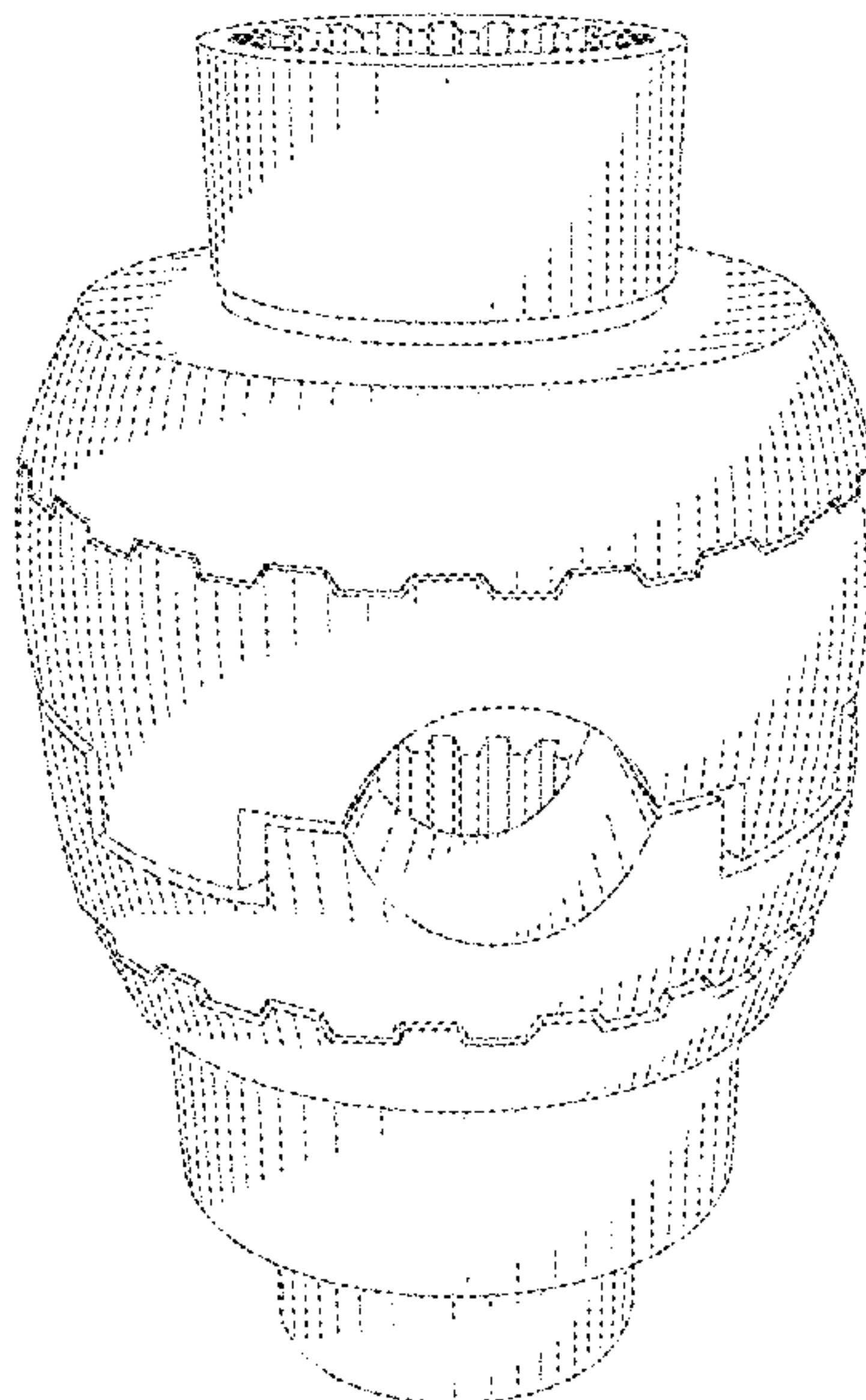
(57) **CLAIM**

The ornamental design for an automatic locking differential, as shown and described.

**DESCRIPTION**

FIG. 1 is a perspective view of an automatic locking differential;  
FIG. 2 represents a front view of the automatic locking differential;  
FIG. 3 represents a right side view of the automatic locking differential;  
FIG. 4 represents a rear view of the automatic locking differential;  
FIG. 5 represents a left side view of the automatic locking differential;  
FIG. 6 represents a bottom view of the automatic locking differential; and,  
FIG. 7 represents a top view of the automatic locking differential.

**1 Claim, 7 Drawing Sheets**



(56)

References Cited

U.S. PATENT DOCUMENTS

5,759,126 A 6/1998 Zentmyer et al.  
 5,759,129 A 6/1998 Zentmyer et al.  
 5,816,971 A 10/1998 Zentmyer et al.  
 5,836,220 A 11/1998 Valente  
 5,901,618 A 5/1999 Tyson et al.  
 5,983,754 A 11/1999 Tyson et al.  
 6,014,916 A 1/2000 Tyson  
 6,047,615 A 4/2000 Tyson et al.  
 6,053,073 A 4/2000 Tyson et al.  
 6,053,074 A 4/2000 Tyson et al.  
 6,062,105 A 5/2000 Tyson et al.  
 6,092,439 A 7/2000 Tyson et al.  
 6,105,465 A 8/2000 Tyson et al.  
 6,269,712 B1 8/2001 Zentmyer  
 D462,256 S 9/2002 Jaynes  
 D479,543 S 9/2003 Lannoch  
 6,681,654 B2 1/2004 Zentmyer  
 7,726,467 B1 6/2010 Schoonover et al.  
 D720,377 S 12/2014 Elder  
 9,488,265 B2 11/2016 Elder

D795,808 S 8/2017 Mayor et al.  
 D816,121 S \* 4/2018 Fox ..... D15/5  
 D827,689 S 9/2018 Turner  
 D835,165 S 12/2018 Zentmyer  
 D848,497 S 5/2019 Zentmyer  
 D868,114 S \* 11/2019 Rogers ..... D15/5  
 D881,759 S \* 4/2020 Turner ..... D12/114  
 2002/0151402 A1 10/2002 Zentmyer  
 2007/0006673 A1 1/2007 Peterman et al.  
 2008/0176703 A1 7/2008 Hoberg  
 2009/0011890 A1 1/2009 Bawks  
 2009/0107741 A1 4/2009 Bell et al.  
 2009/0197732 A1 8/2009 Lyman  
 2010/0113208 A1 5/2010 Haugeberg  
 2013/0112520 A1 5/2013 Heath et al.  
 2016/0347277 A1 12/2016 Nagata et al.  
 2017/0327077 A1 11/2017 Fukuta et al.

OTHER PUBLICATIONS

Fourwheeler.Com, "Traction Does Matter," [www.fourwheeler.com/how-to/29298-latest-locking-differential-technology/](http://www.fourwheeler.com/how-to/29298-latest-locking-differential-technology/) Mar. 1, 2000.

\* cited by examiner

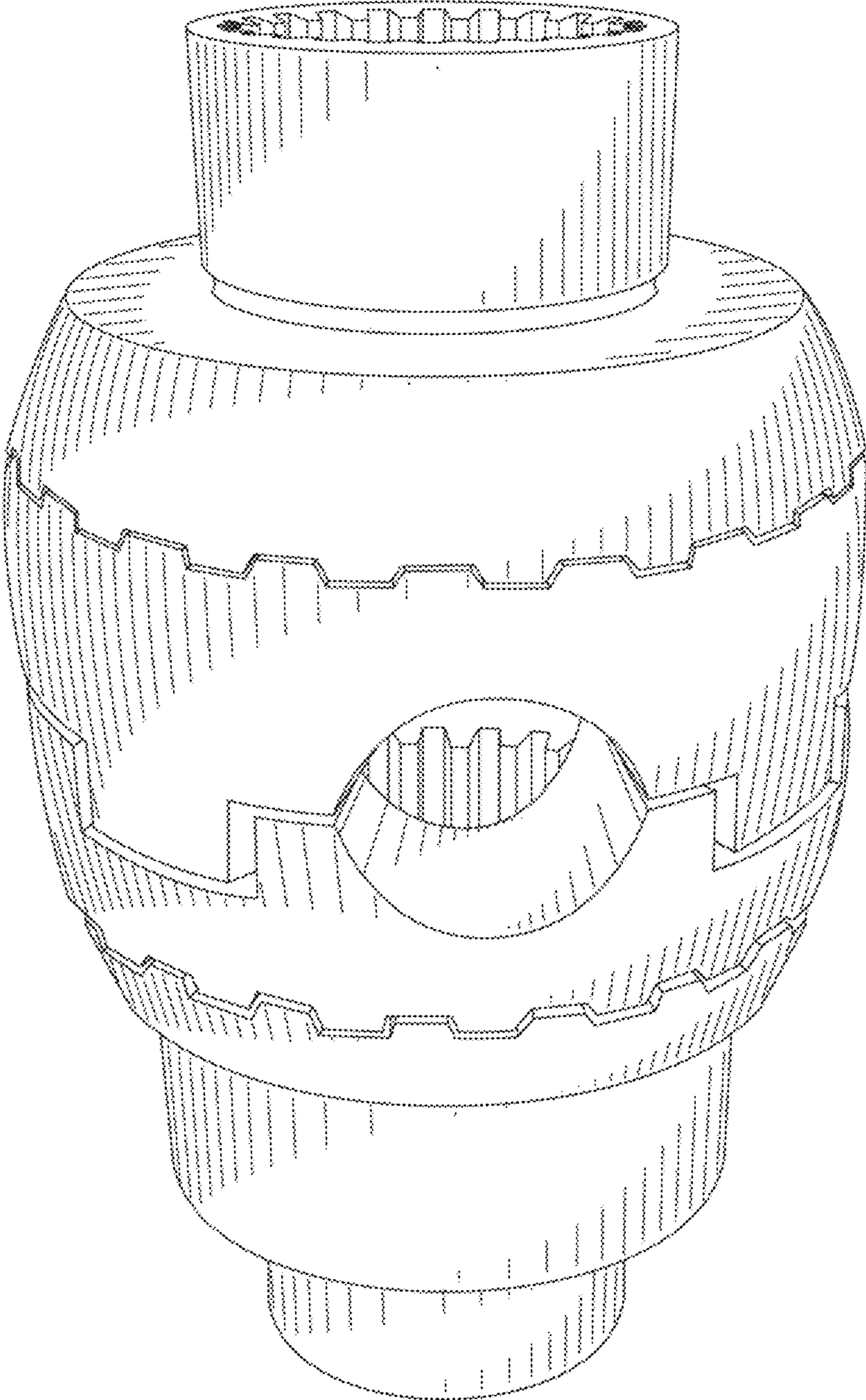


FIG. 1



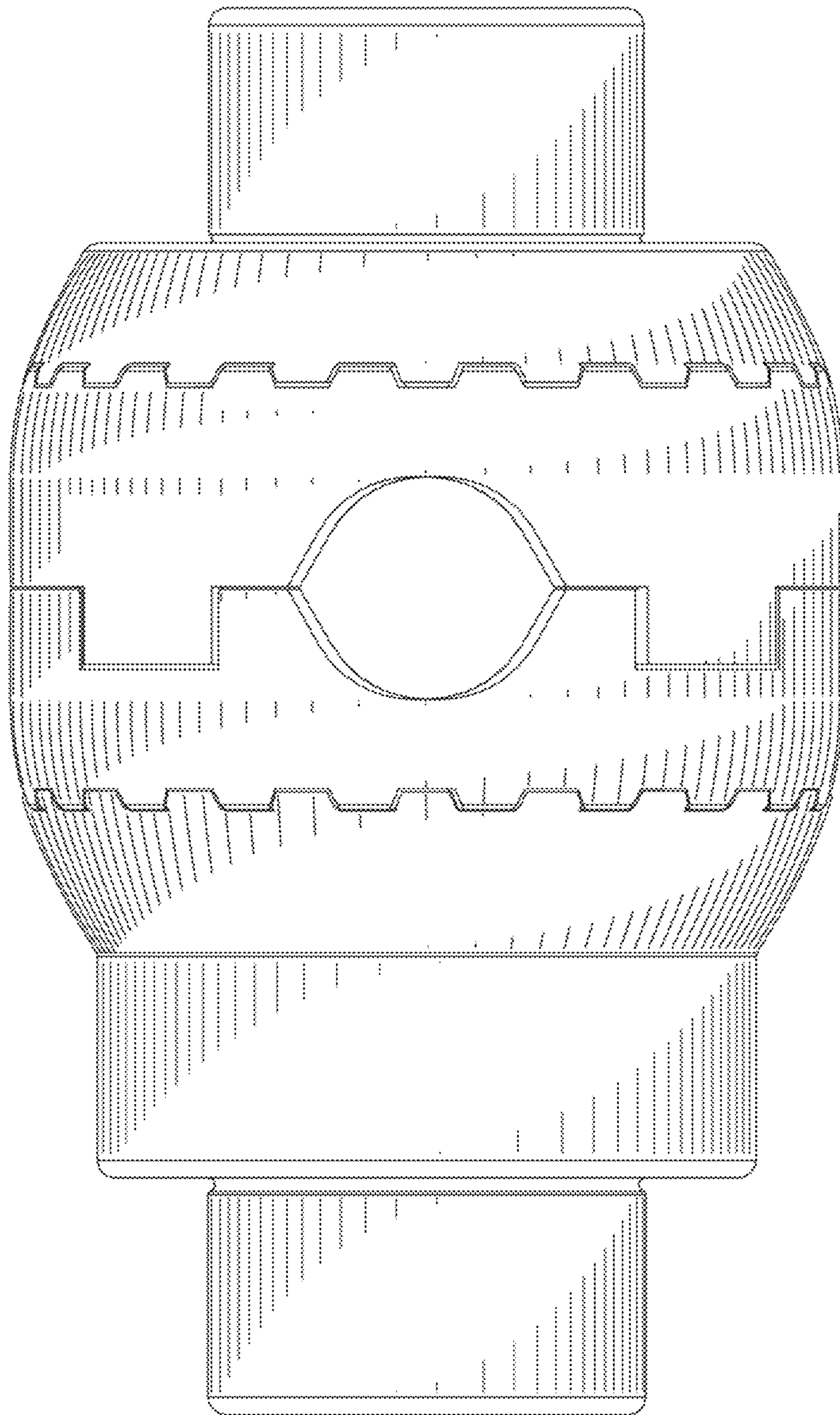


FIG. 2

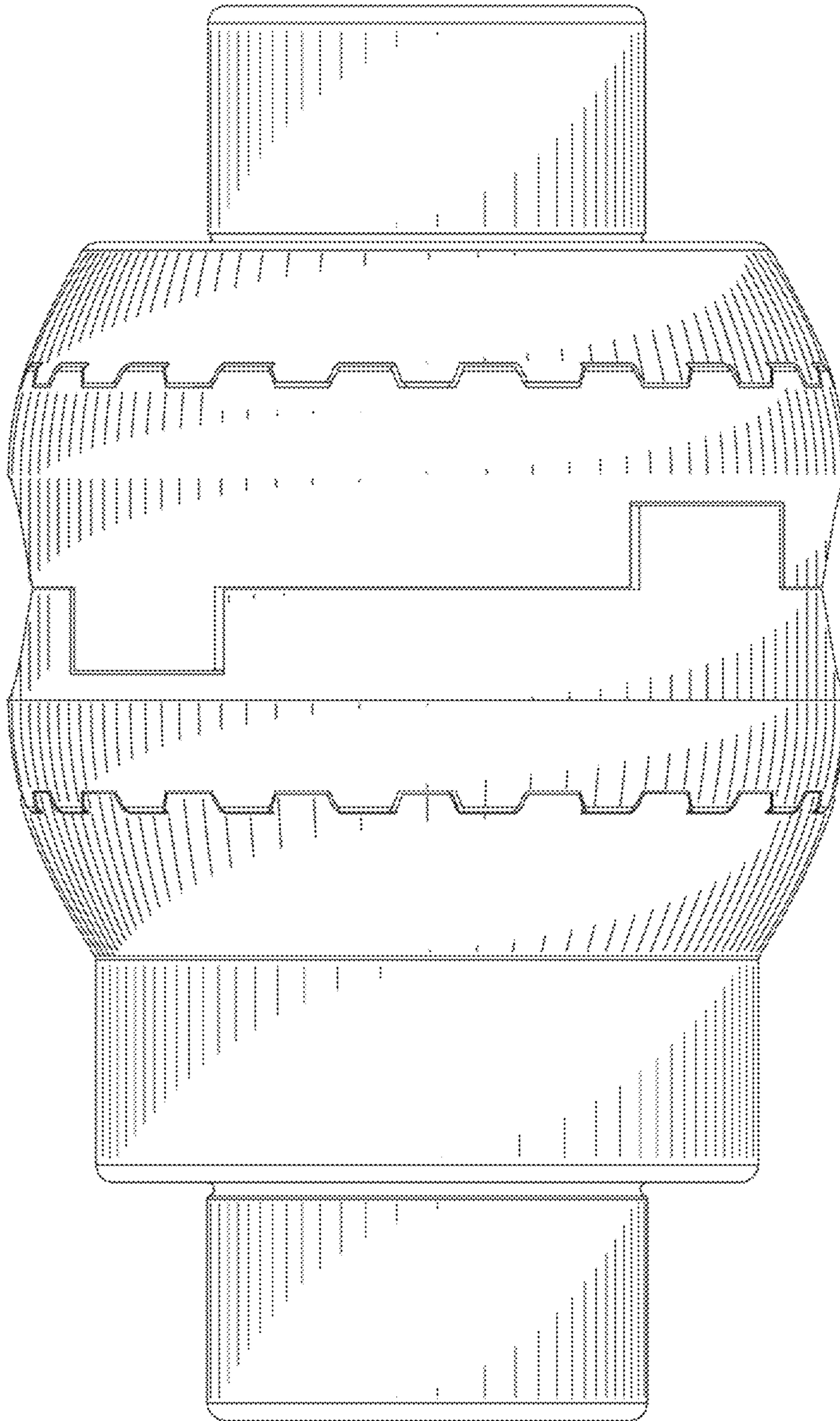


FIG. 3



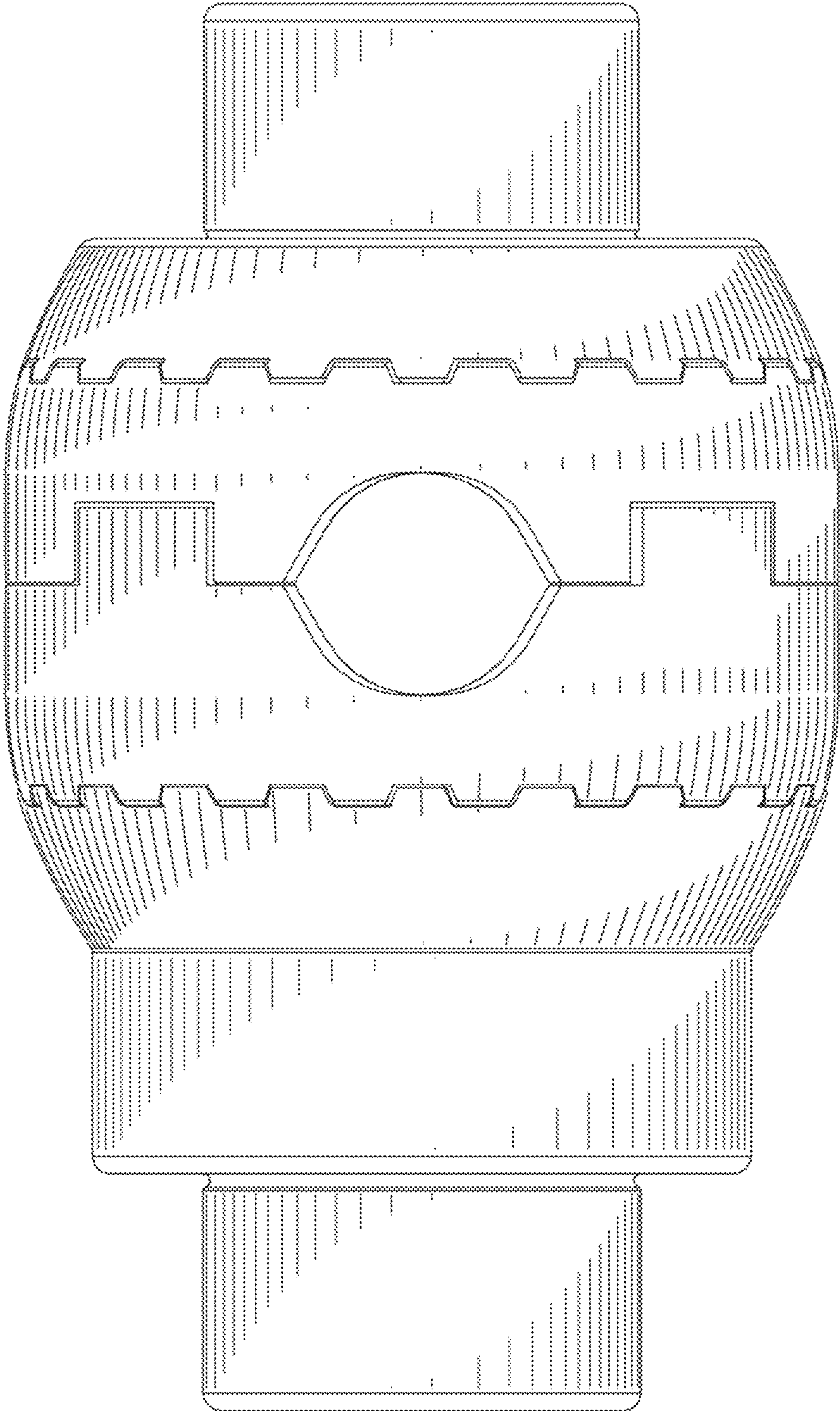


FIG. 4

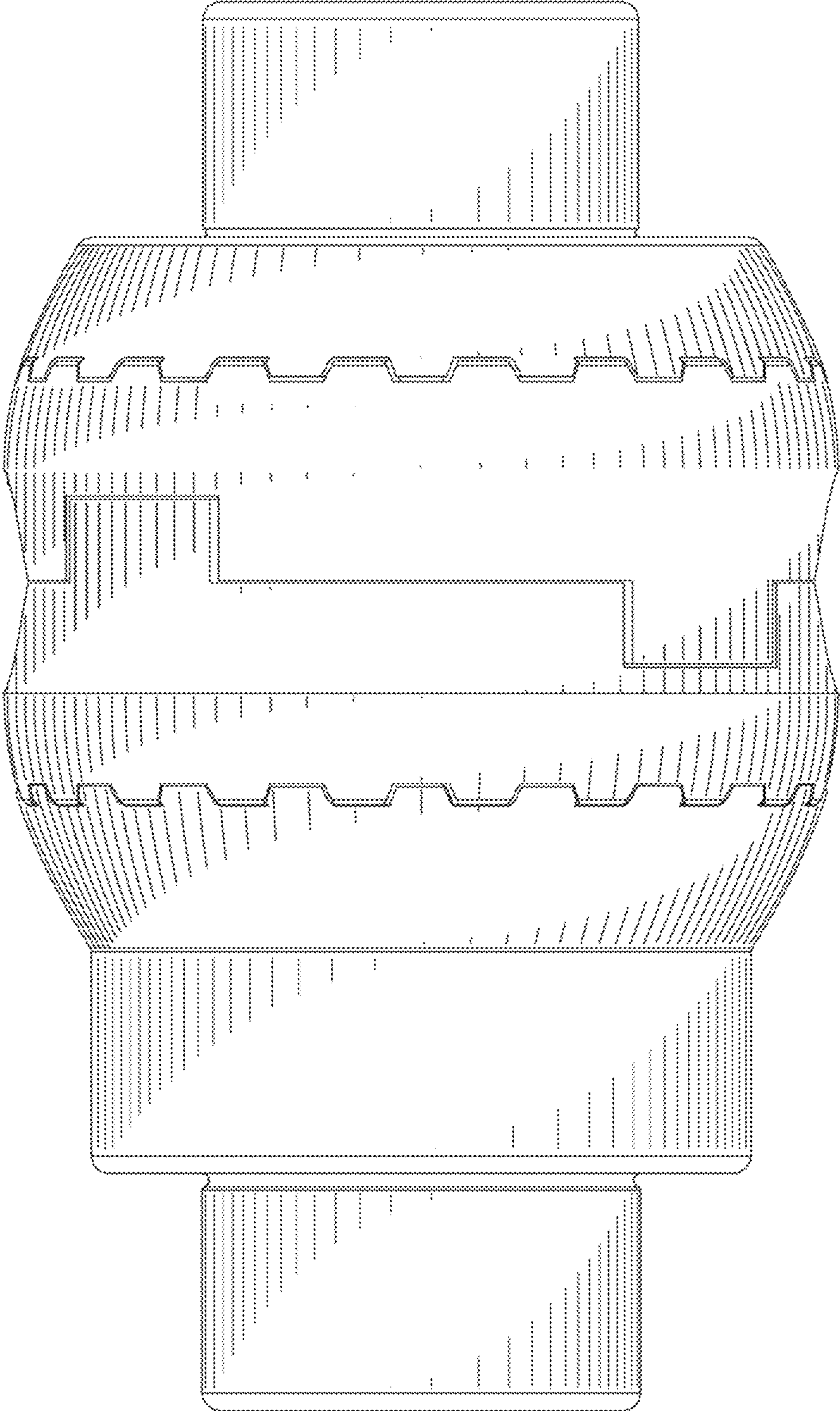


FIG. 5

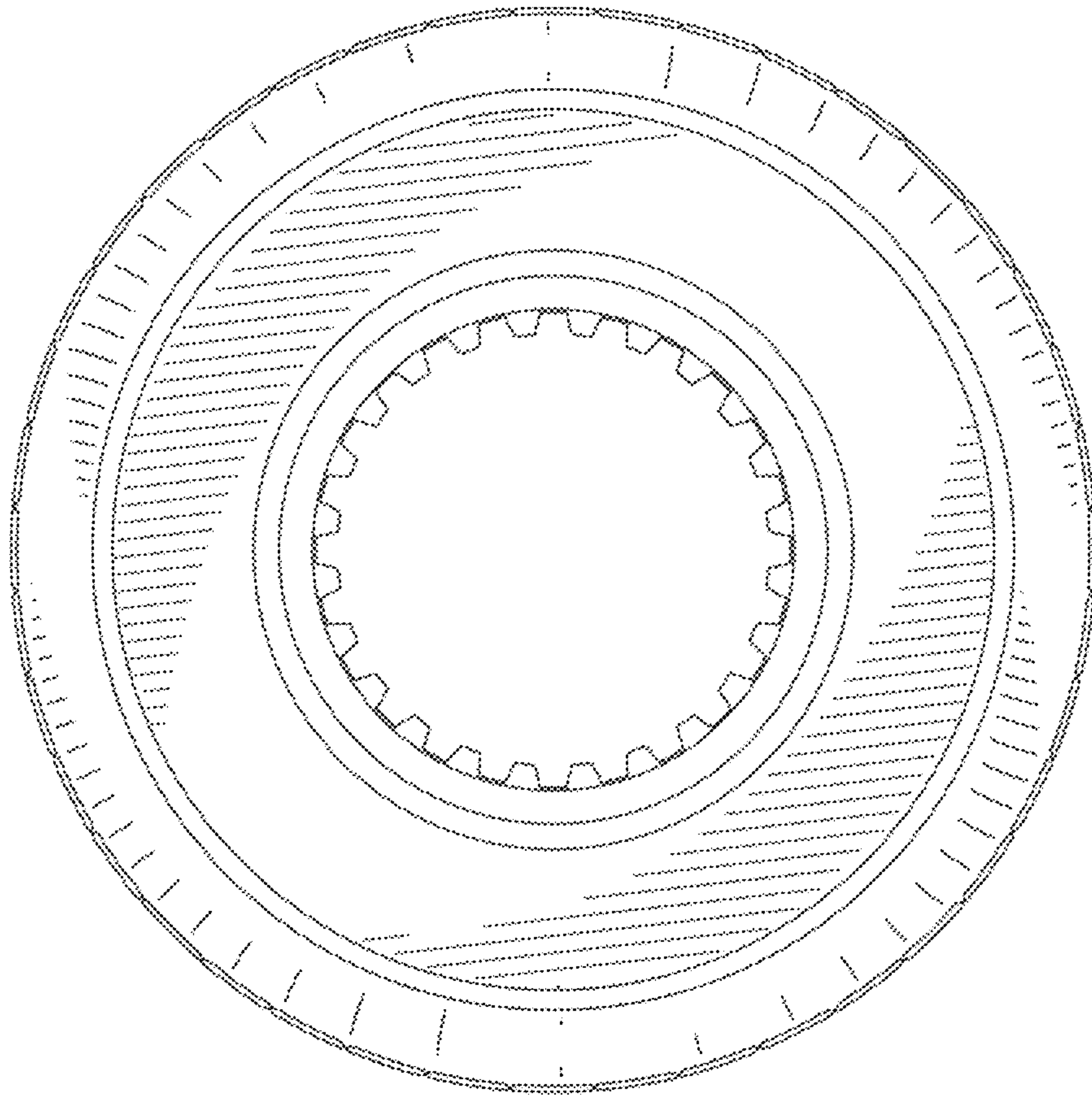


FIG. 6



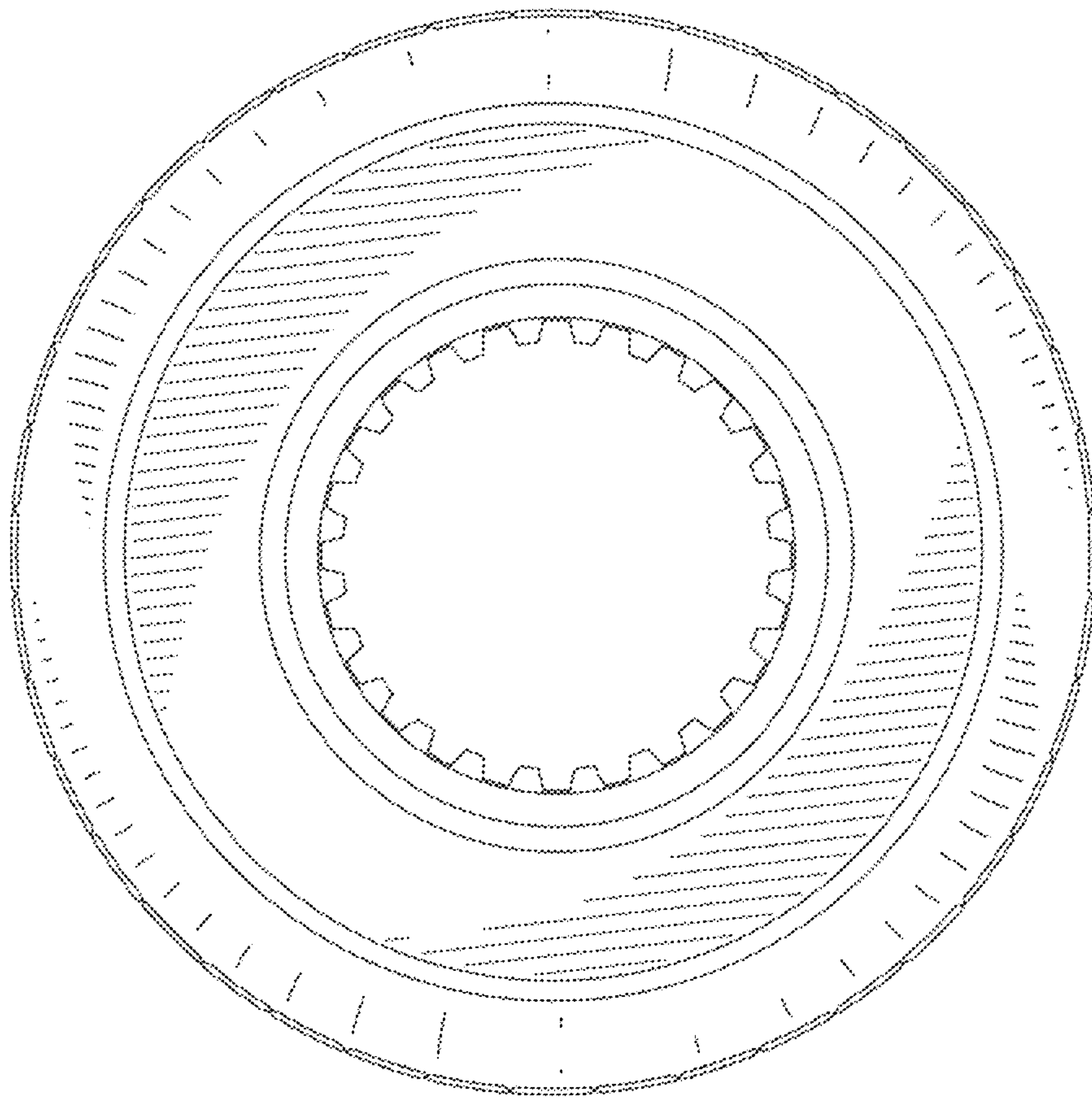


FIG. 7