



US00D906386S

(12) **United States Design Patent** (10) **Patent No.:** **US D906,386 S**
Morales-Higa et al. (45) **Date of Patent:** **** Dec. 29, 2020**

(54) **STEEL SLAB REHEAT FURNACE SKID BUTTON**

FOREIGN PATENT DOCUMENTS

(71) Applicant: **AK Steel Properties, Inc.**, West Chester, OH (US)

DE 1110192 B 7/1921
GB 1418198 12/1975

(Continued)

(72) Inventors: **Ken Morales-Higa**, West Chester, OH (US); **Jun Hu**, Liberty Township, OH (US); **Paul Chao-Peng Wu**, Springboro, OH (US); **Kavesary Raghavan**, West Chester, OH (US)

OTHER PUBLICATIONS

International Search Report and Written Opinion dated Jul. 2, 2018 for Application No. PCT/US2018/031733, 16 pages.

(Continued)

(73) Assignee: **AK STEEL PROPERTIES, INC.**, West Chester, OH (US)

Primary Examiner — Ian Simmons
Assistant Examiner — Fritzgerald L Butac

(74) *Attorney, Agent, or Firm* — Frost Brown Todd LLC

(**) Term: **15 Years**

(21) Appl. No.: **29/654,633**

(22) Filed: **Jun. 26, 2018**

(57) **CLAIM**

The ornamental design for a steel slab reheat furnace skid button, as shown and described.

Related U.S. Application Data

(63) Continuation of application No. 15/974,801, filed on May 9, 2018.

(51) **LOC (12) Cl.** **15-09**

(52) **U.S. Cl.**
USPC **D15/144.1**; D15/144

(58) **Field of Classification Search**
USPC D8/382, 383, 349, 400; D15/123, 144, D15/144.1, 144.2
CPC ... F27D 3/022; F27D 3/024; F27D 2003/0059
See application file for complete search history.

DESCRIPTION

FIG. 1 is a top perspective view of a steel slab reheat furnace skid button of our new design;
FIG. 2 is a bottom perspective view thereof;
FIG. 3 is a left elevation view thereof;
FIG. 4 is a right elevation view thereof;
FIG. 5 is a front view thereof;
FIG. 6 is a rear view thereof;
FIG. 7 is a top plan view thereof; and,
FIG. 8 is a bottom plan view thereof.

The broken lines show portions of a steel slab reheat furnace skid button that form no part of the claimed design. The zig-zag lines seen in FIGS. 1-4, and FIGS. 7 and 8, are meant to represent a symbolic break in the length of the claimed design, and forms no part thereof. The areas in between the parallel zig-zag lines form no part of the claimed design.

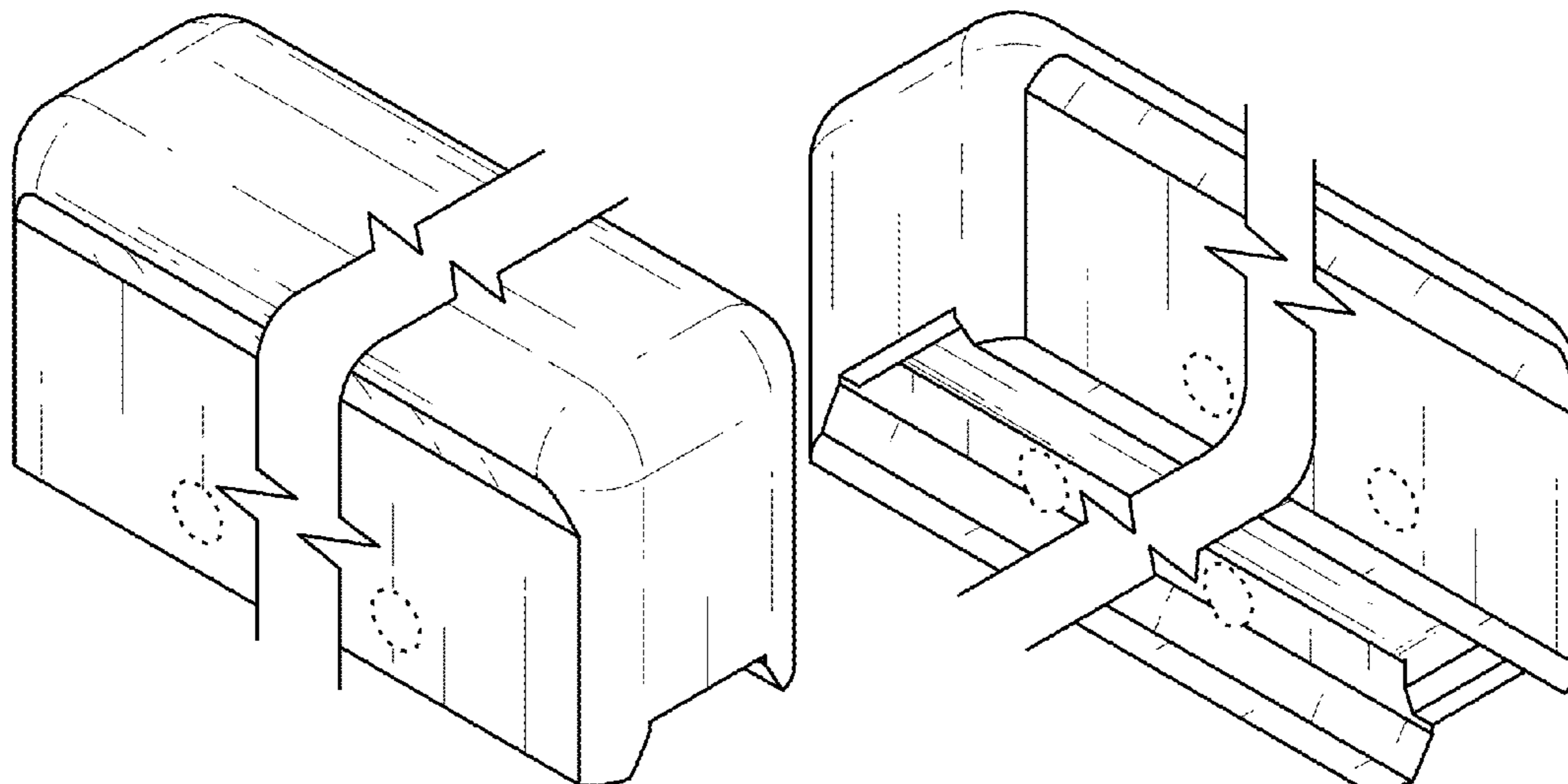
(56) **References Cited**

U.S. PATENT DOCUMENTS

679,350 A 7/1901 Williams
4,056,350 A 11/1977 Knaak
4,080,152 A 3/1978 Altfeld et al.
D254,256 S * 2/1980 Ackers D15/123
4,253,826 A 3/1981 Campbell, Jr.
4,609,347 A 9/1986 Yamashita et al.

(Continued)

1 Claim, 4 Drawing Sheets



(56)

References Cited

U.S. PATENT DOCUMENTS

4,747,775 A * 5/1988 Takagi F27D 3/024
432/234
4,940,188 A * 7/1990 Rodriguez B02C 13/1842
241/275
5,136,610 A 8/1992 Heuss
5,257,928 A 11/1993 Harding
5,271,610 A 12/1993 Klotz
5,895,216 A 4/1999 Heuss
5,976,043 A * 11/1999 Hise B02C 13/1807
241/275
6,382,536 B1 * 5/2002 Lusty B02C 13/1842
241/275
6,416,000 B1 * 7/2002 Lusty B02C 13/1842
241/275
6,945,776 B2 9/2005 Choi et al.
D658,054 S * 4/2012 Velez, Jr. B02C 13/1842
D8/400
D700,920 S * 3/2014 DeVitis B02C 13/1842
D15/123
D716,854 S * 11/2014 Bergman B02C 13/1807
D15/123
D753,202 S * 4/2016 Traver D15/144
D800,187 S * 10/2017 Larsson D15/123
D805,378 S * 12/2017 Somerfield D8/383

D824,990 S * 8/2018 Greenthal F27D 3/022
D16/242
2015/0048191 A1* 2/2015 Clint B02C 13/1835
241/275
2018/0328665 A1* 11/2018 Higa F27D 3/022

FOREIGN PATENT DOCUMENTS

JP 61044119 A * 3/1986
JP S61-091322 5/1986
JP S60-138011 9/1987
JP 09241727 A * 9/1997
JP 09268314 A * 10/1997
JP 10251742 A * 9/1998
JP 2011058014 A * 3/2011
JP 2014169490 A * 9/2014
JP 2014189842 A * 10/2014
JP 2017165997 A * 9/2017
KR 2003-414101 * 1/2003
KR 2003-0008119 11/2005
KR 101075909 B1 * 10/2011
KR 101091543 B1 * 12/2011

OTHER PUBLICATIONS

Taiwanese Office Action dated Mar. 20, 2019 for Application No. 107115801, 17 pages.

* cited by examiner

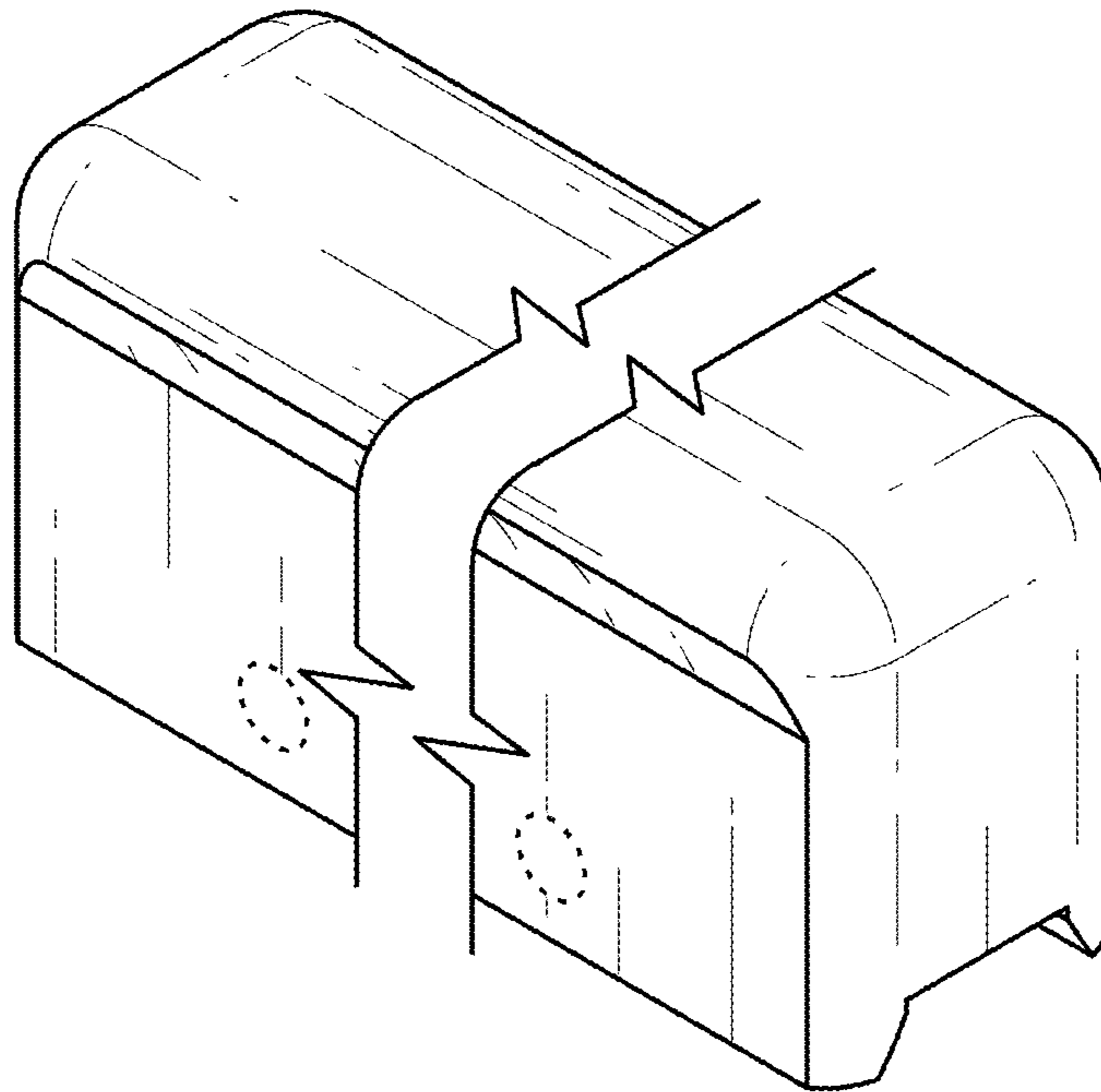


FIG. 1

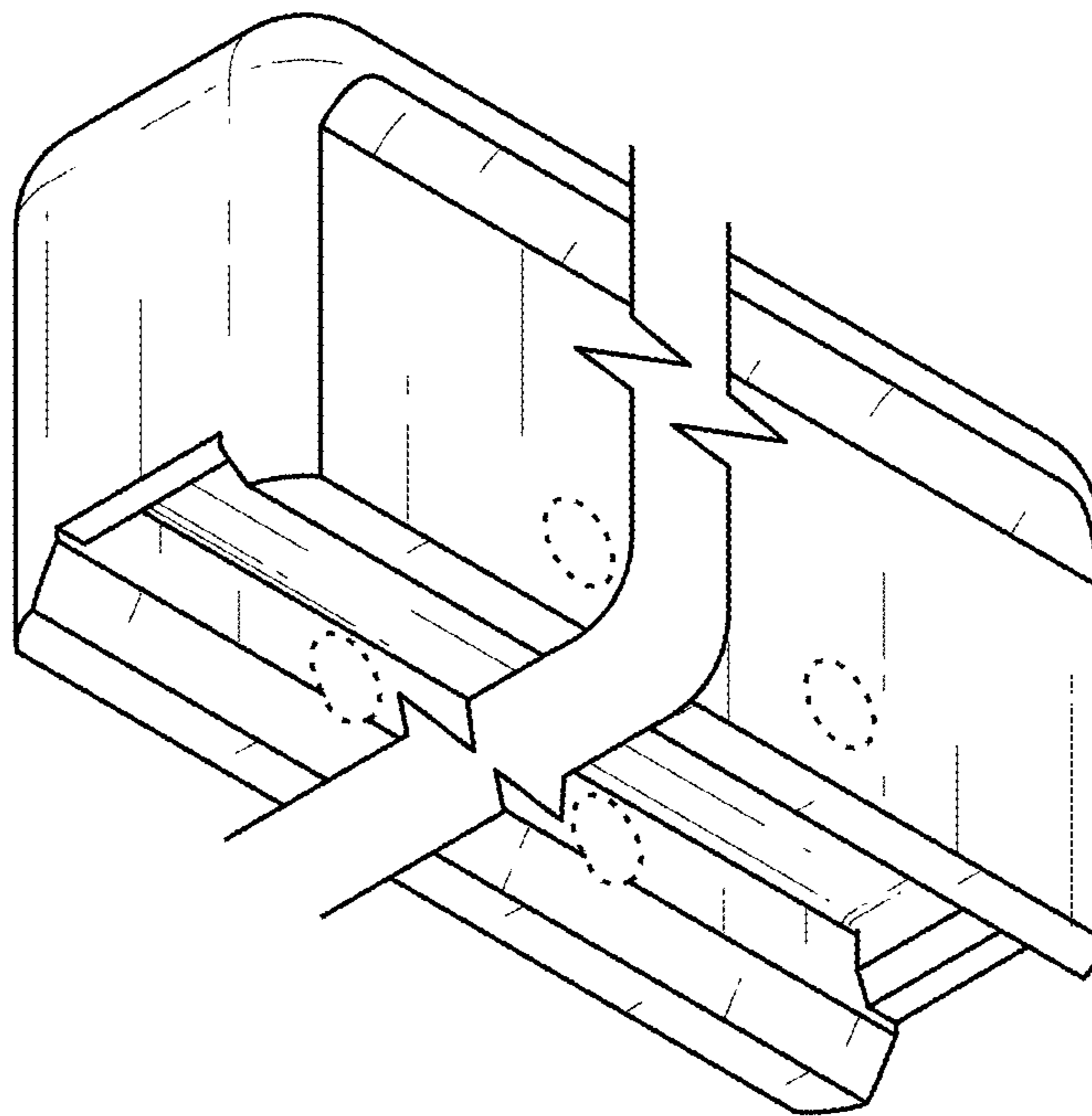


FIG. 2

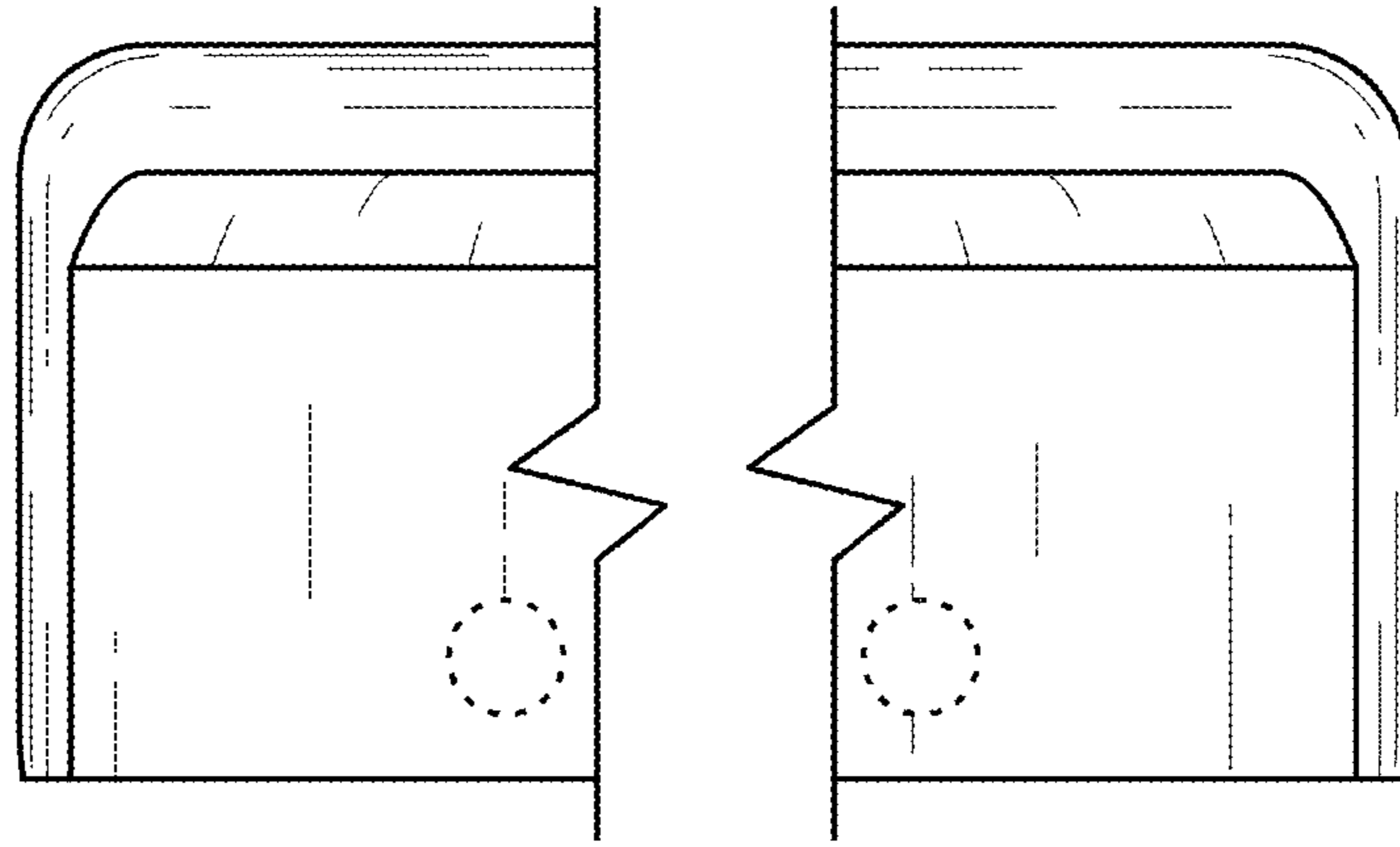


FIG. 3

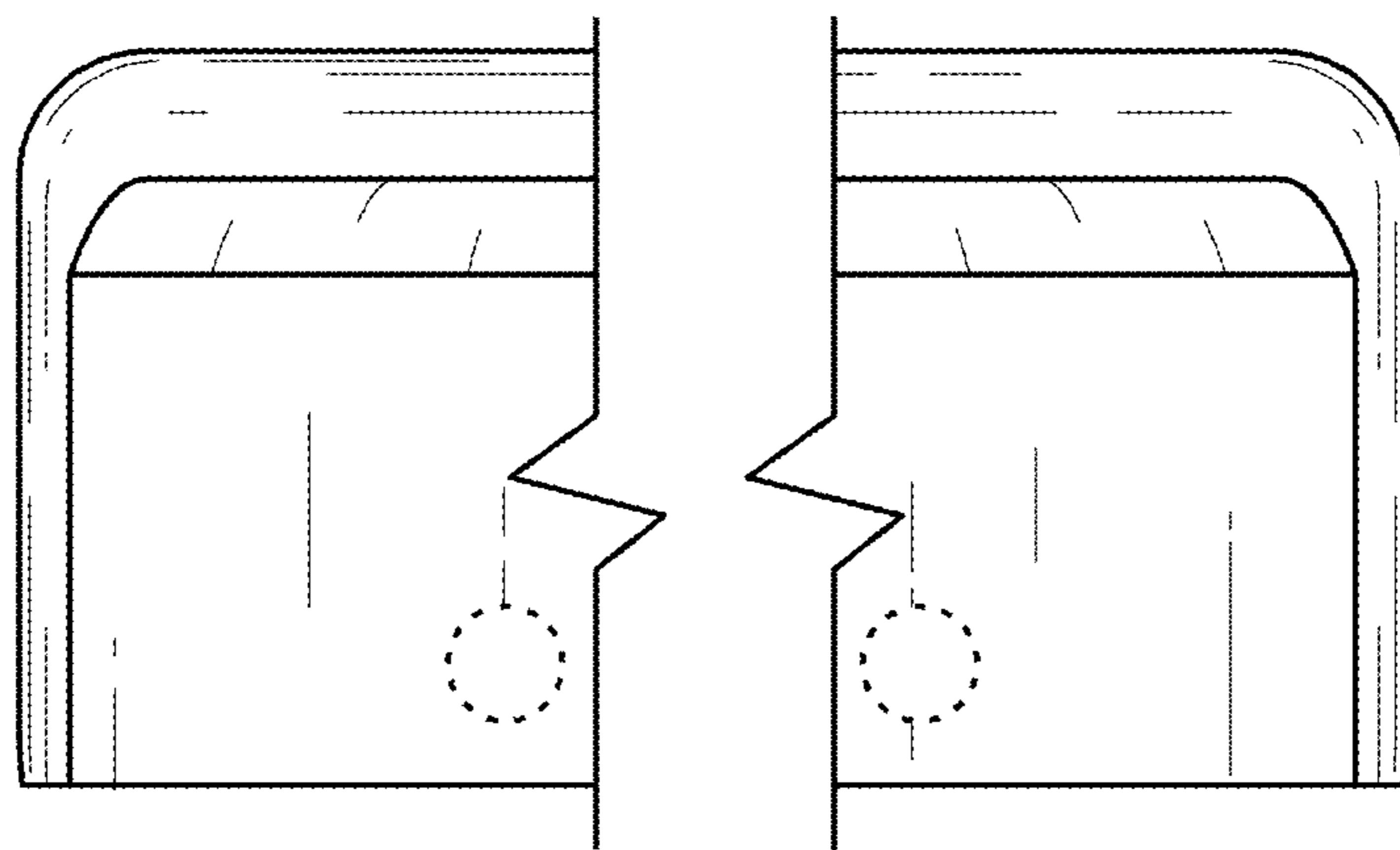


FIG. 4

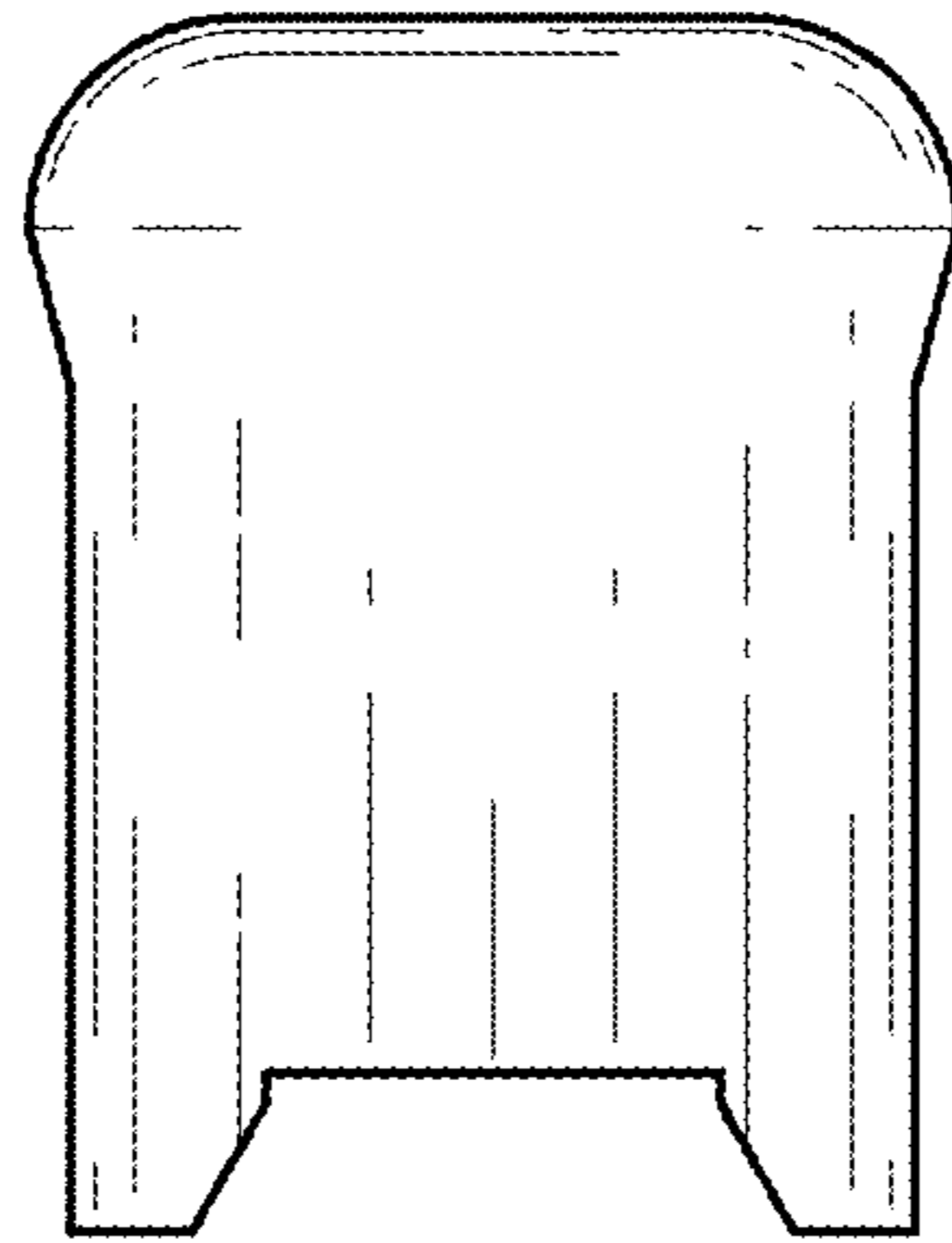


FIG. 5

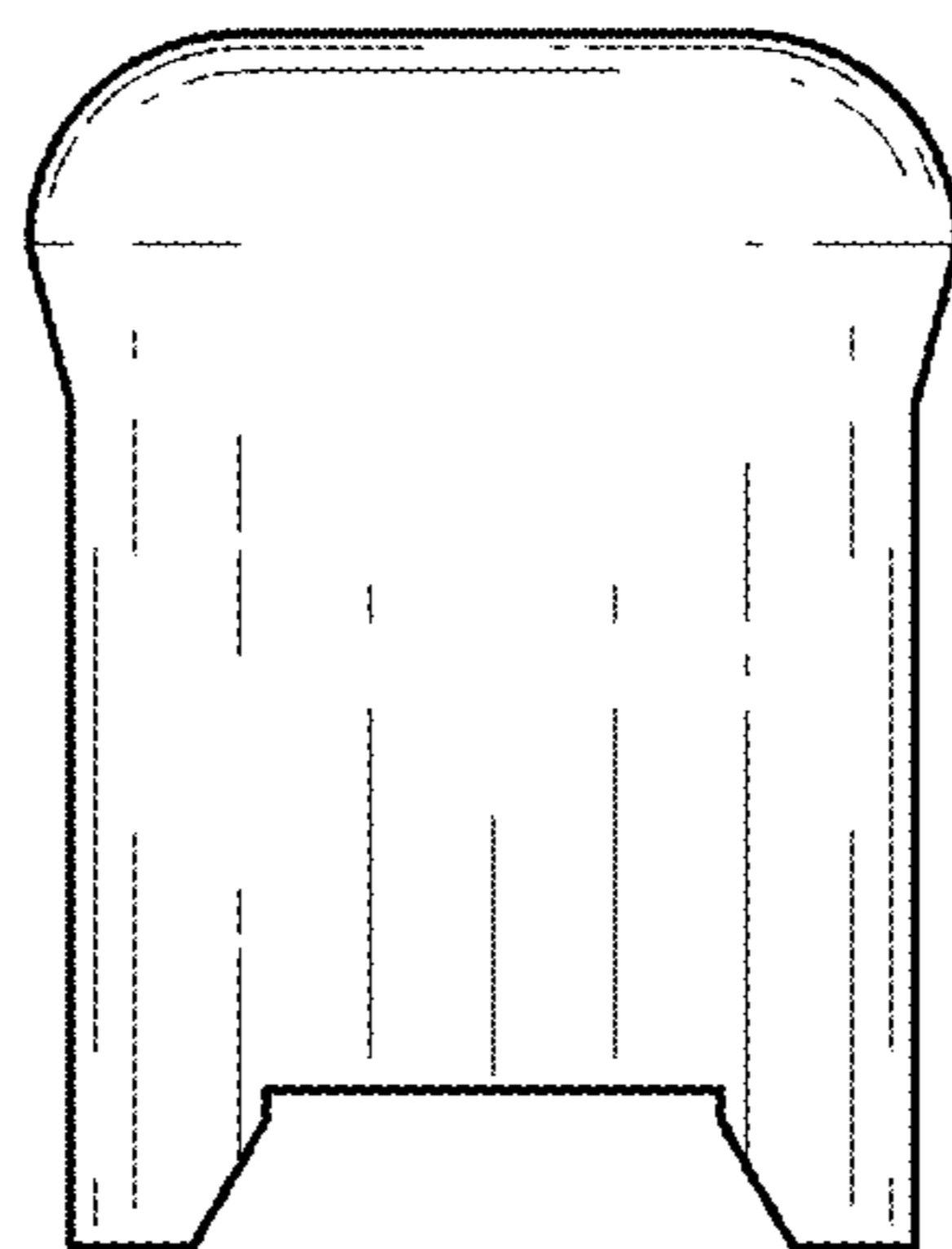


FIG. 6

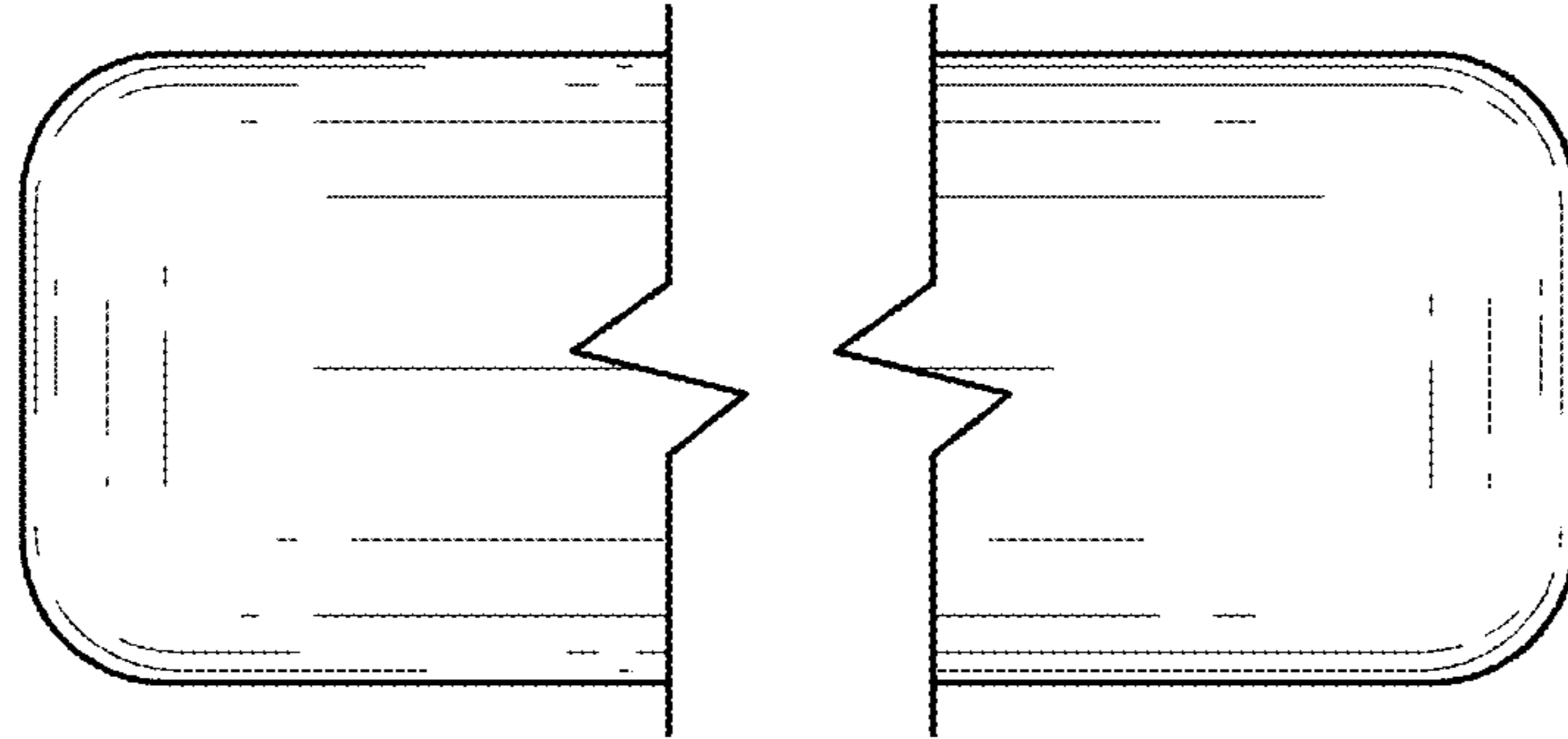


FIG. 7

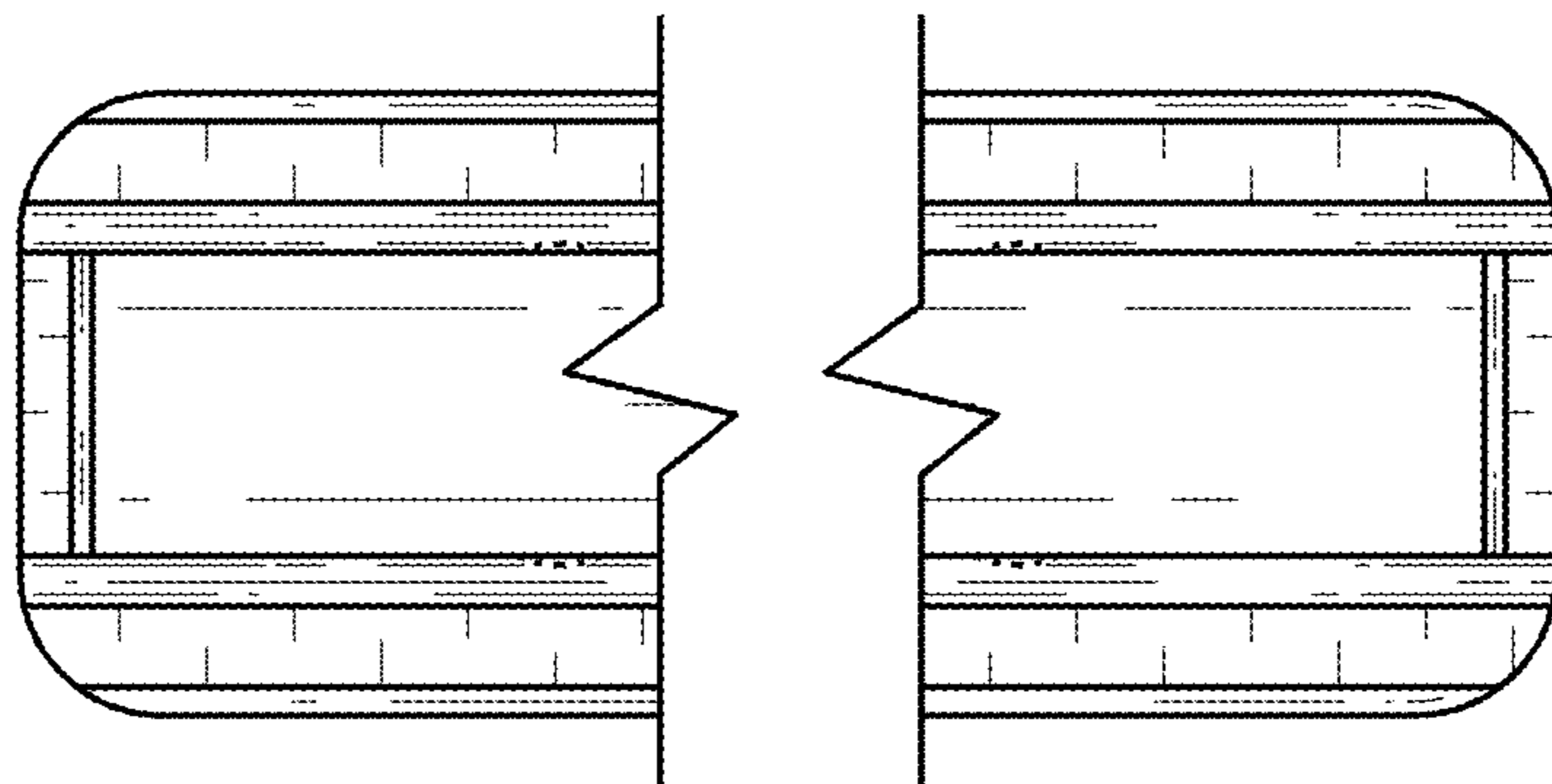


FIG. 8