



US00D906385S

(12) **United States Design Patent** (10) **Patent No.:** **US D906,385 S**
Buhr et al. (45) **Date of Patent:** **** Dec. 29, 2020**

(54) **CHISEL HOLDER** D667,855 S 9/2012 Kammerer et al.
D667,856 S 9/2012 Kammerer et al.
(71) Applicant: **Wirtgen GmbH**, Windhagen (DE) D671,578 S * 11/2012 Buhr D15/140
D688,282 S 8/2013 Lachmann et al.
(72) Inventors: **Karsten Buhr**, Willroth (DE); **Sascha Spöth**, Heistenbach (DE) D690,747 S 10/2013 Wachsmann et al.
D692,037 S * 10/2013 Buhr D15/140
D692,038 S 10/2013 Buhr et al.
D692,039 S 10/2013 Buhr et al.
(73) Assignee: **Wirtgen GmbH** D692,040 S * 10/2013 Buhr D15/140
D693,390 S * 11/2013 Wachsmann D15/140
(**) Term: **15 Years** (Continued)

(21) Appl. No.: **29/743,162**

(22) Filed: **Jul. 20, 2020**

(30) **Foreign Application Priority Data**

Jan. 21, 2020 (EM) 007 538 467

(51) **LOC (12) Cl.** **15-09**

(52) **U.S. Cl.**
USPC **D15/140; D8/71**

(58) **Field of Classification Search**
USPC D8/70-74; D15/131, 132, 138, 139, 140
CPC E21C 35/18; E21C 35/19; E21C 35/1933;
E21C 2035/191
See application file for complete search history.

(56) **References Cited**

U.S. PATENT DOCUMENTS

7,300,115 B2 * 11/2007 Holl E21C 35/18
299/106
D567,270 S * 4/2008 Chiang D15/140
D574,689 S * 8/2008 Holl D8/71
D575,610 S * 8/2008 Holl D8/71
D585,259 S * 1/2009 Holl D8/71
D638,453 S 5/2011 Buhr et al.
D666,226 S * 8/2012 Buhr D15/140
D666,641 S * 9/2012 Buhr D15/140
D666,642 S * 9/2012 Buhr D15/140
D666,643 S 9/2012 Buhr et al.
D667,854 S * 9/2012 Kammerer D15/140

FOREIGN PATENT DOCUMENTS

EM D01848938 4/2011
EM D01886748 4/2011

(Continued)

Primary Examiner — Patricia A Palasik

(74) *Attorney, Agent, or Firm* — Lucian Wayne Beavers;
Patterson Intellectual Property Law, PC

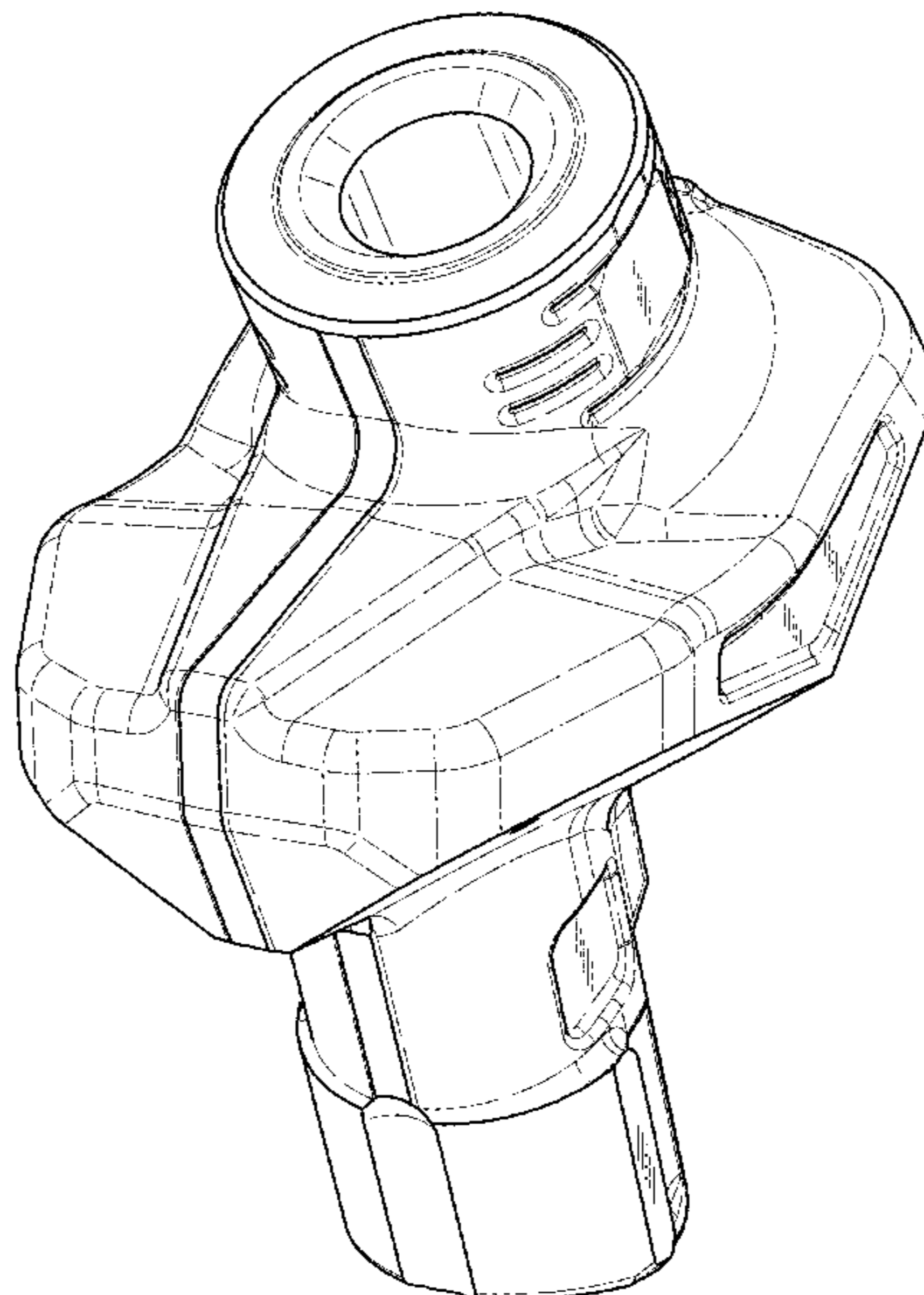
(57) **CLAIM**

What is claimed is the ornamental design for a chisel holder,
as shown and described.

DESCRIPTION

FIG. 1 is front right side perspective view of the chisel holder.
FIG. 2 is front elevation view of the chisel holder of FIG. 1.
FIG. 3 is a rear elevation view of the chisel holder of FIG. 1.
FIG. 4 is a top view of the chisel holder of FIG. 1.
FIG. 5 is a bottom view of the chisel holder of FIG. 1.
FIG. 6 is left side elevation view of the chisel holder of FIG. 1.
FIG. 7 is right side elevation view of the chisel holder of FIG. 1; and,
FIG. 8 is a rear lower left side perspective view of the chisel holder of FIG. 1.

1 Claim, 8 Drawing Sheets



(56)

References Cited

U.S. PATENT DOCUMENTS

D693,391 S 11/2013 Roetsch et al.
D707,736 S 6/2014 Ries et al.
8,746,806 B2 6/2014 Lehnert et al.
8,746,807 B2 6/2014 Lehnert et al.
D711,442 S 8/2014 Brassel et al.
D711,443 S 8/2014 Brassel et al.
D715,342 S 10/2014 Fundakowski et al.
D736,283 S 8/2015 Ries et al.
9,151,157 B2 10/2015 Lehnert et al.
9,163,502 B2* 10/2015 Lehnert E21C 35/19
9,228,434 B2 1/2016 Lehnert et al.
9,260,965 B2 2/2016 Lehnert et al.
9,376,911 B2* 6/2016 Lehnert E21C 35/193
2006/0119165 A1* 6/2006 Holl E21C 35/18
299/106
2013/0241265 A1* 9/2013 Lehnert E21C 35/1933
299/79.1
2018/0223660 A1* 8/2018 Allgaier E21C 35/1933

FOREIGN PATENT DOCUMENTS

EM D02147884 5/2012
EM D05935509 12/2018

* cited by examiner

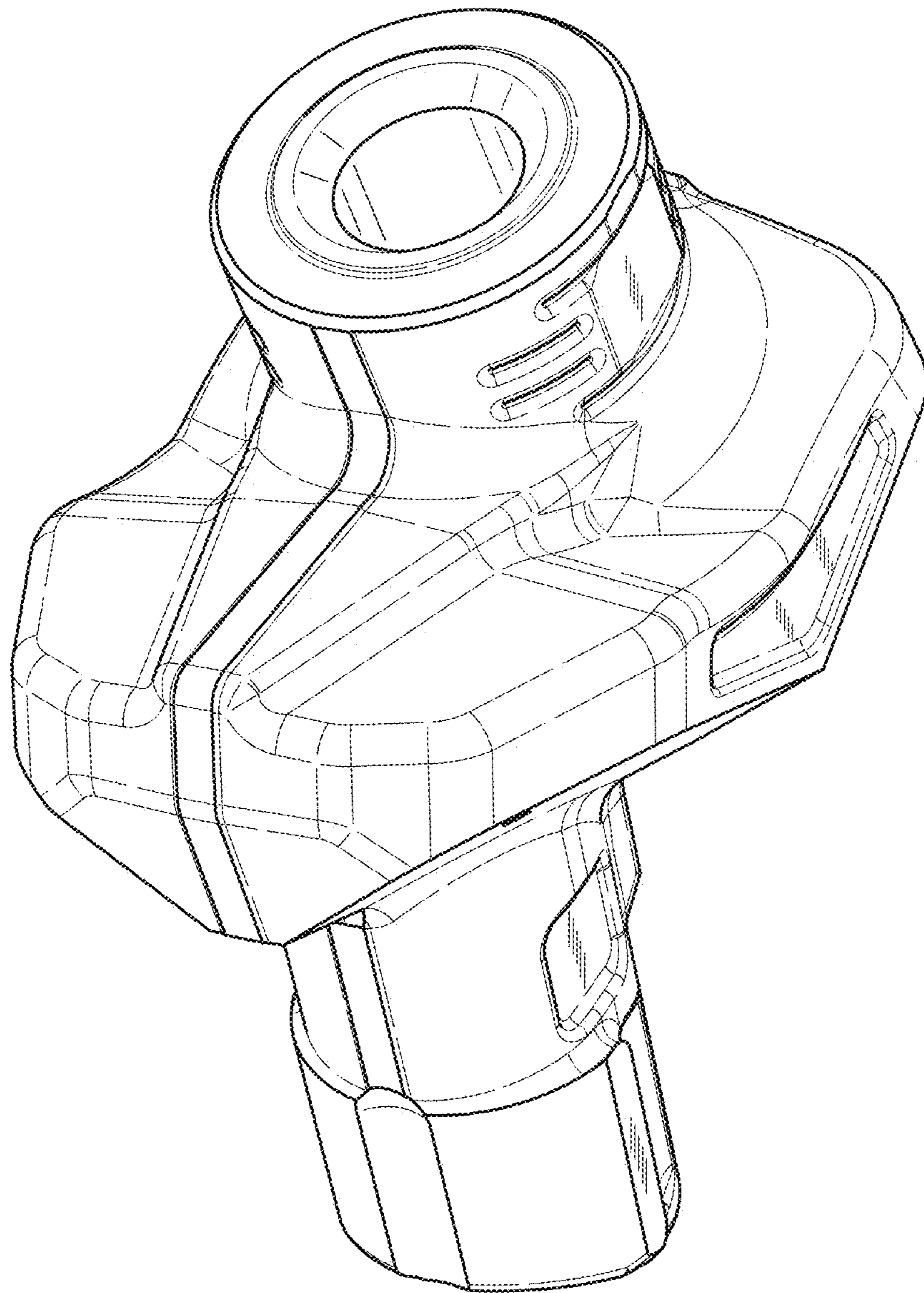


FIG. 1

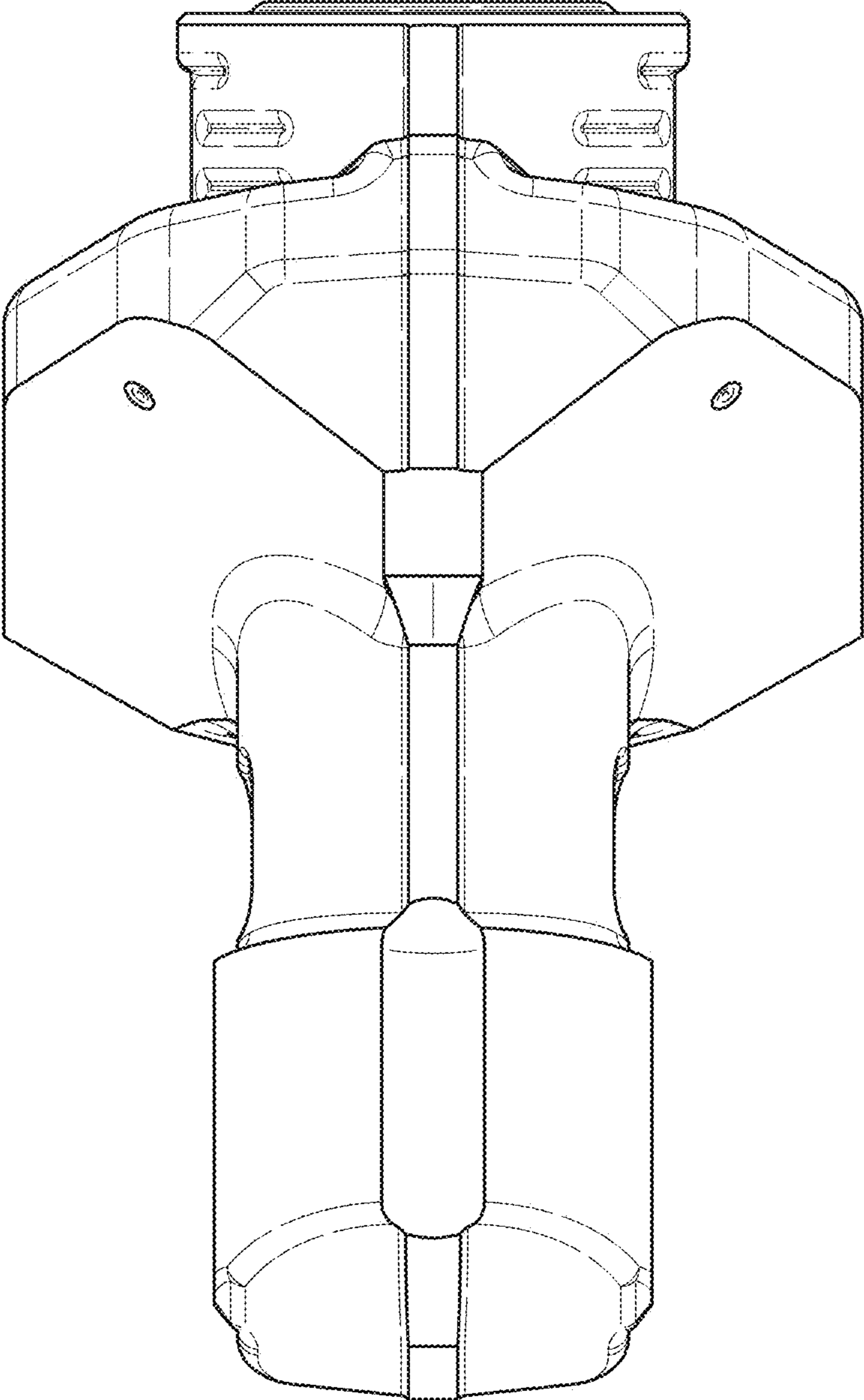


FIG. 2

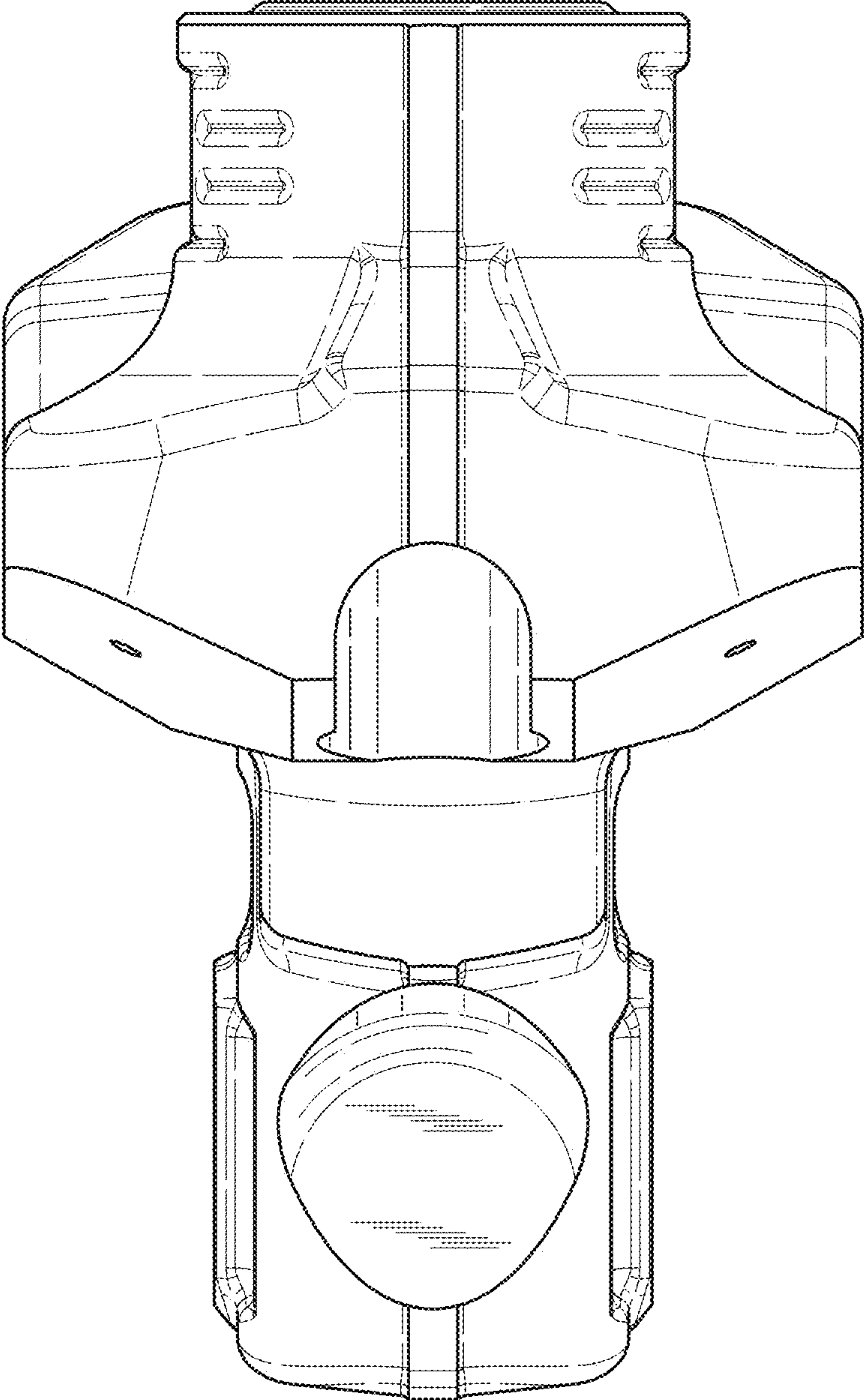


FIG. 3

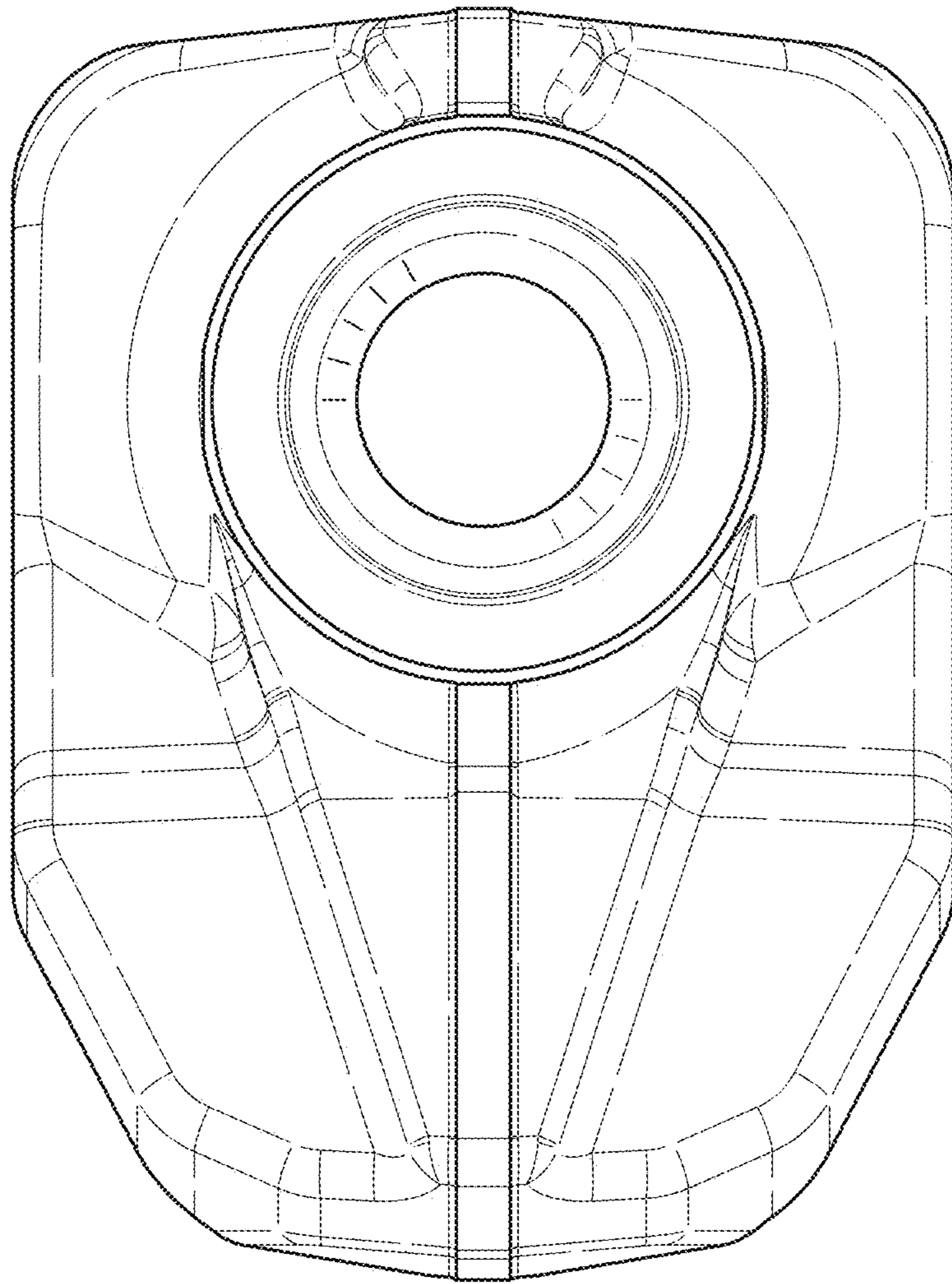


FIG. 4

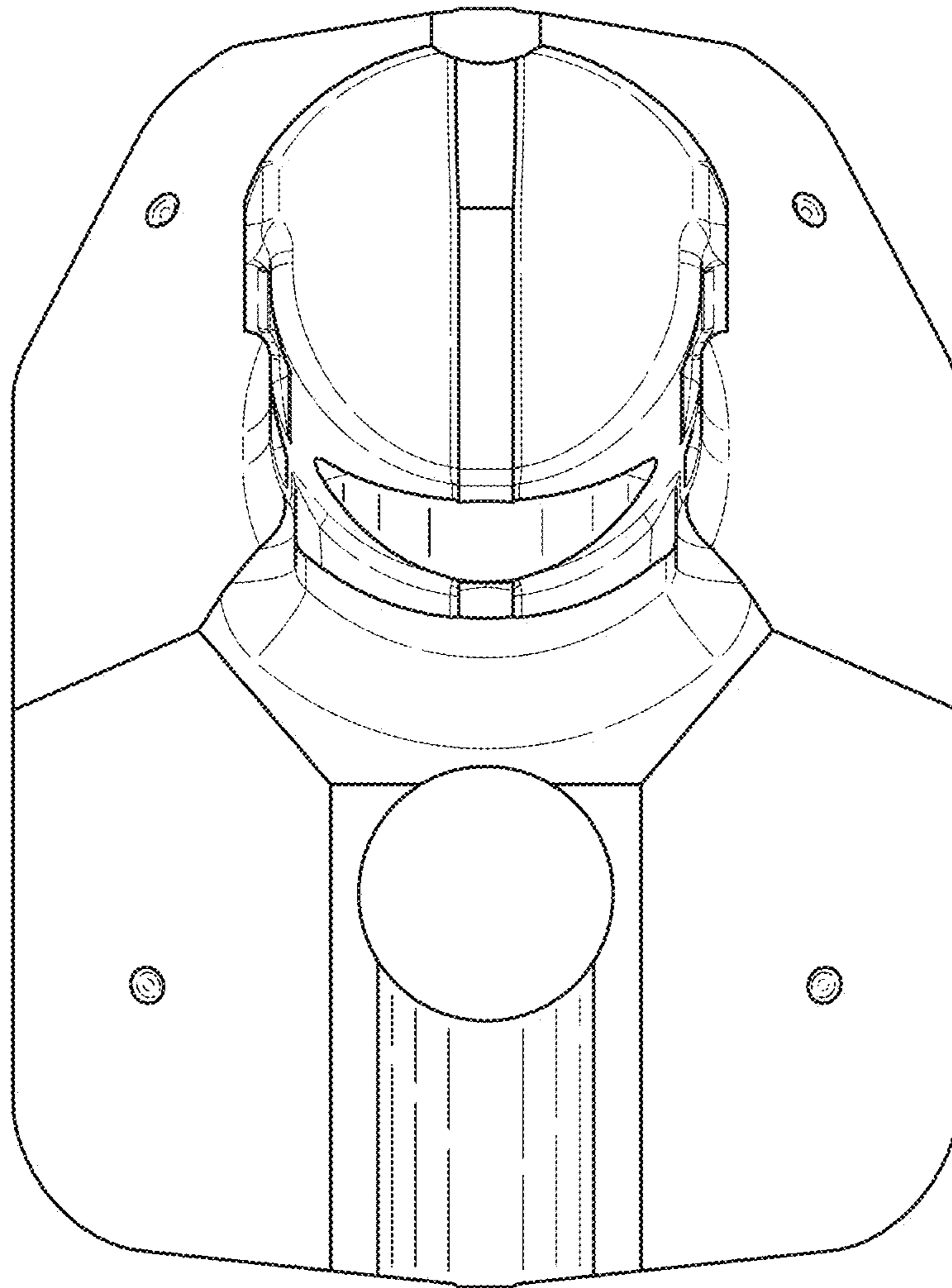


FIG. 5

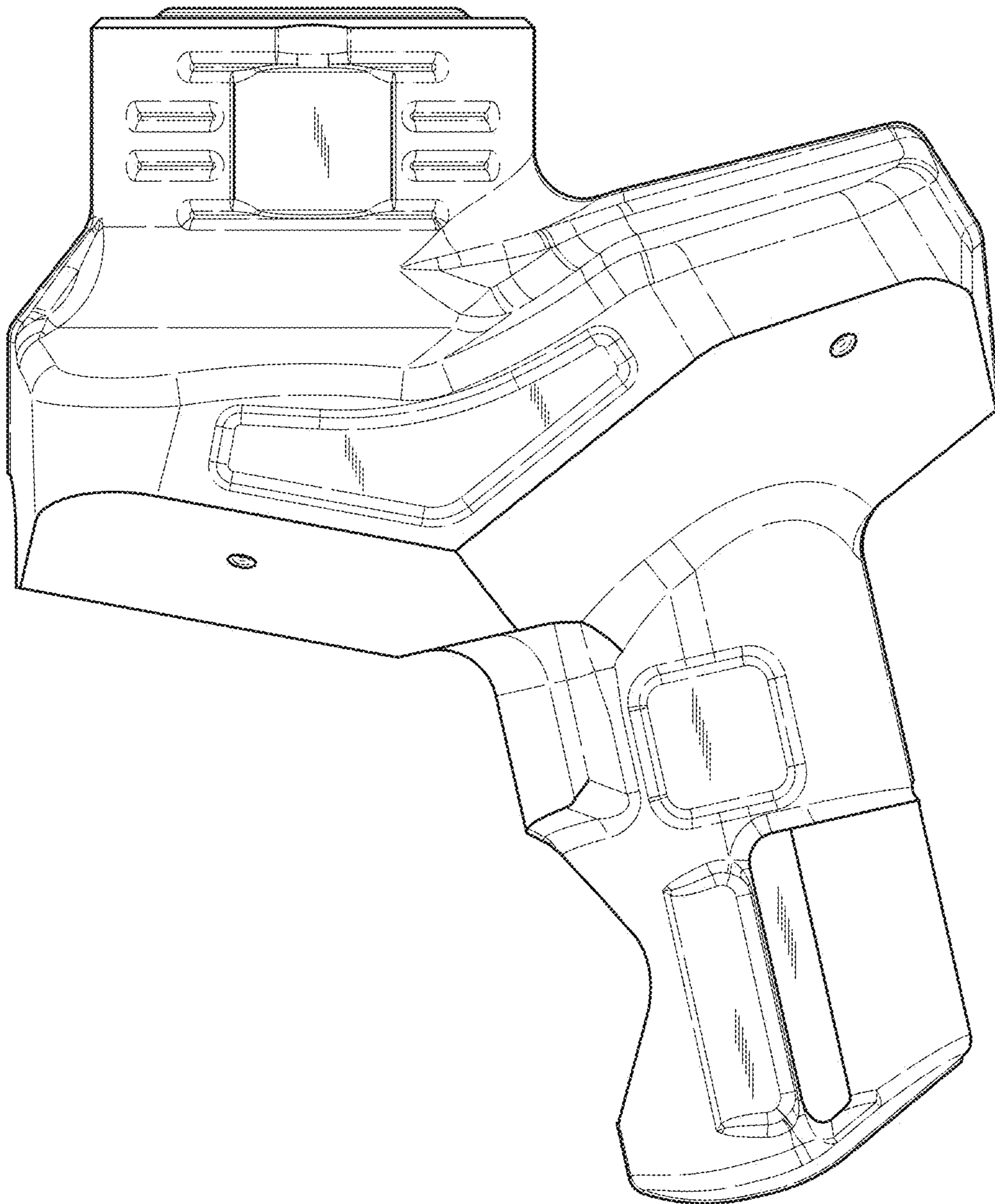


FIG. 6

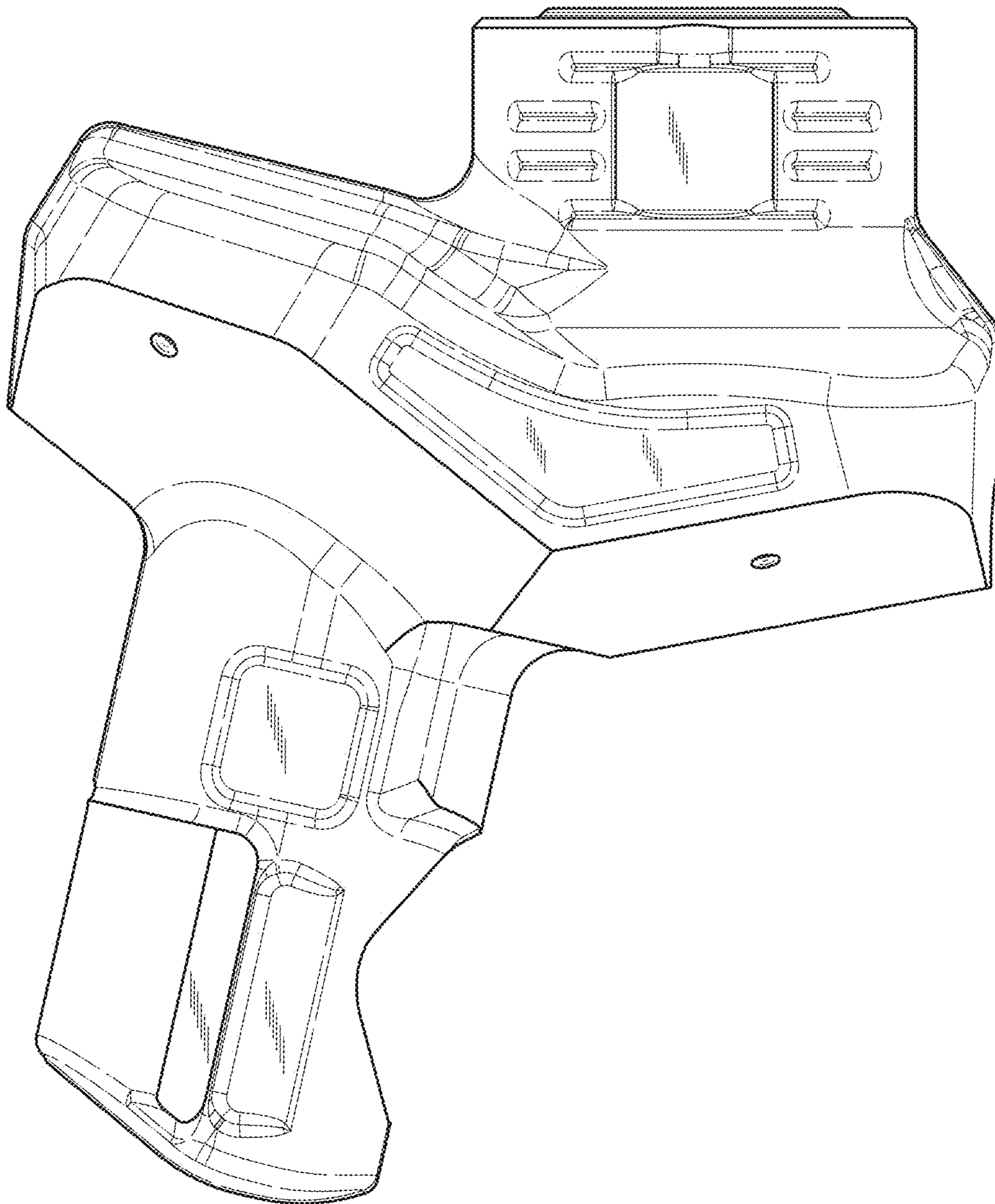


FIG. 7

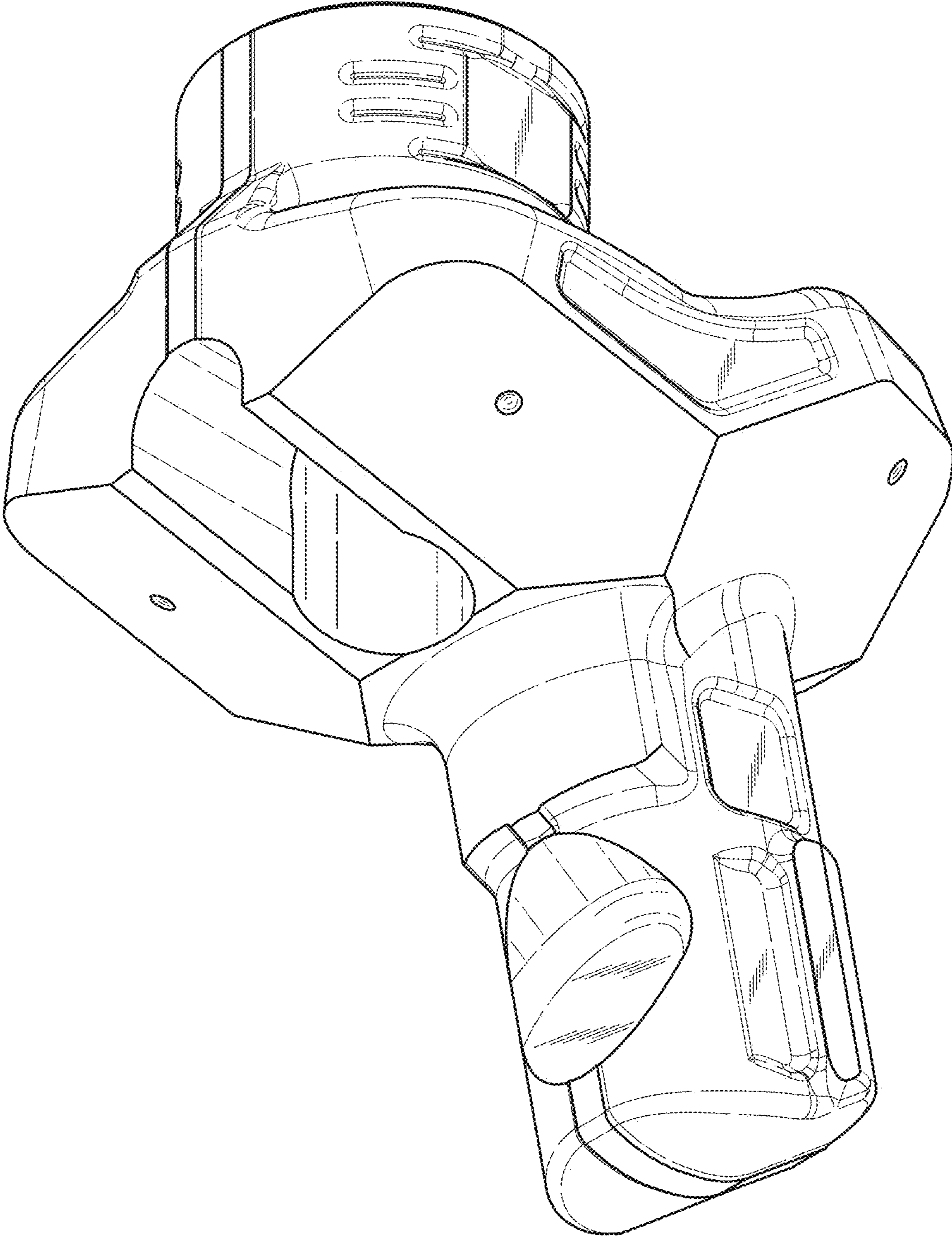


FIG. 8