



US00D906384S

(12) **United States Design Patent**
Fraser et al.

(10) **Patent No.:** **US D906,384 S**
(45) **Date of Patent:** **** Dec. 29, 2020**

(54) **SHIM**

(71) Applicant: **Redwood Plastics and Rubber Corp.,**
Langley (CA)

(72) Inventors: **Gregory A. Fraser,** Langley (CA);
Graeme K. Fraser, Mission (CA);
Christian Guckel, Langley (CA)

(73) Assignee: **Redwood Plastics and Rubber Corp.,**
Langley (CA)

(**) Term: **15 Years**

(21) Appl. No.: **29/674,127**

(22) Filed: **Dec. 19, 2018**

Related U.S. Application Data

(62) Division of application No. 29/582,278, filed on Oct.
26, 2016, now Pat. No. Des. 836,685.

(30) **Foreign Application Priority Data**

Apr. 26, 2016 (CA) 168207
May 25, 2016 (CA) 168680

(51) **LOC (12) Cl.** **15-03**

(52) **U.S. Cl.**
USPC **D15/135**

(58) **Field of Classification Search**

USPC D15/122, 135, 136, 137, 138-141, 142,
D15/199; D25/112-118, 136, 138, 151,
D25/152, 153, 156
CPC ... C04B 28/04; C04B 14/06; C04B 2103/304;
C04B 2103/32; C04B 40/0028; C04B
40/0071; C04B 18/0418; C04B
2103/0094; C04B 22/062; C04B 24/005;
C04B 24/02; C04B 28/02; C04B 41/5016;
C04B 41/502; C04B 24/2623; C04B
28/006; C04B 40/0231; C04B 40/0625;
C04B 41/483; C04B 41/4869; C04B
18/08; C04B 2103/008; C04B 22/0093;

C04B 24/121; C04B 24/2635; C04B
24/2641; C04B 24/2652; C04B 24/32;
C04B 24/38; C04B 40/0014; C04B
40/0032; C04B 40/0082; C04B 2103/10;
C04B 2111/00017; C04B 2111/00051;
C04B 2111/0006; C04B 2111/0075; C04B
2111/00793; C04B 2111/21; C04B
2111/60; C04B 2235/3215; C04B
2235/3272; C04B 2235/36; C04B
(Continued)

(56) **References Cited**

U.S. PATENT DOCUMENTS

150,710 A * 5/1874 Prindle E01C 5/00
404/19
D581,549 S * 11/2008 Thorkelson D25/113
D598,572 S * 8/2009 Stephansky D25/113
(Continued)

Primary Examiner — Khawaja Anwar
(74) *Attorney, Agent, or Firm* — Chernoff Vilhauer LLP

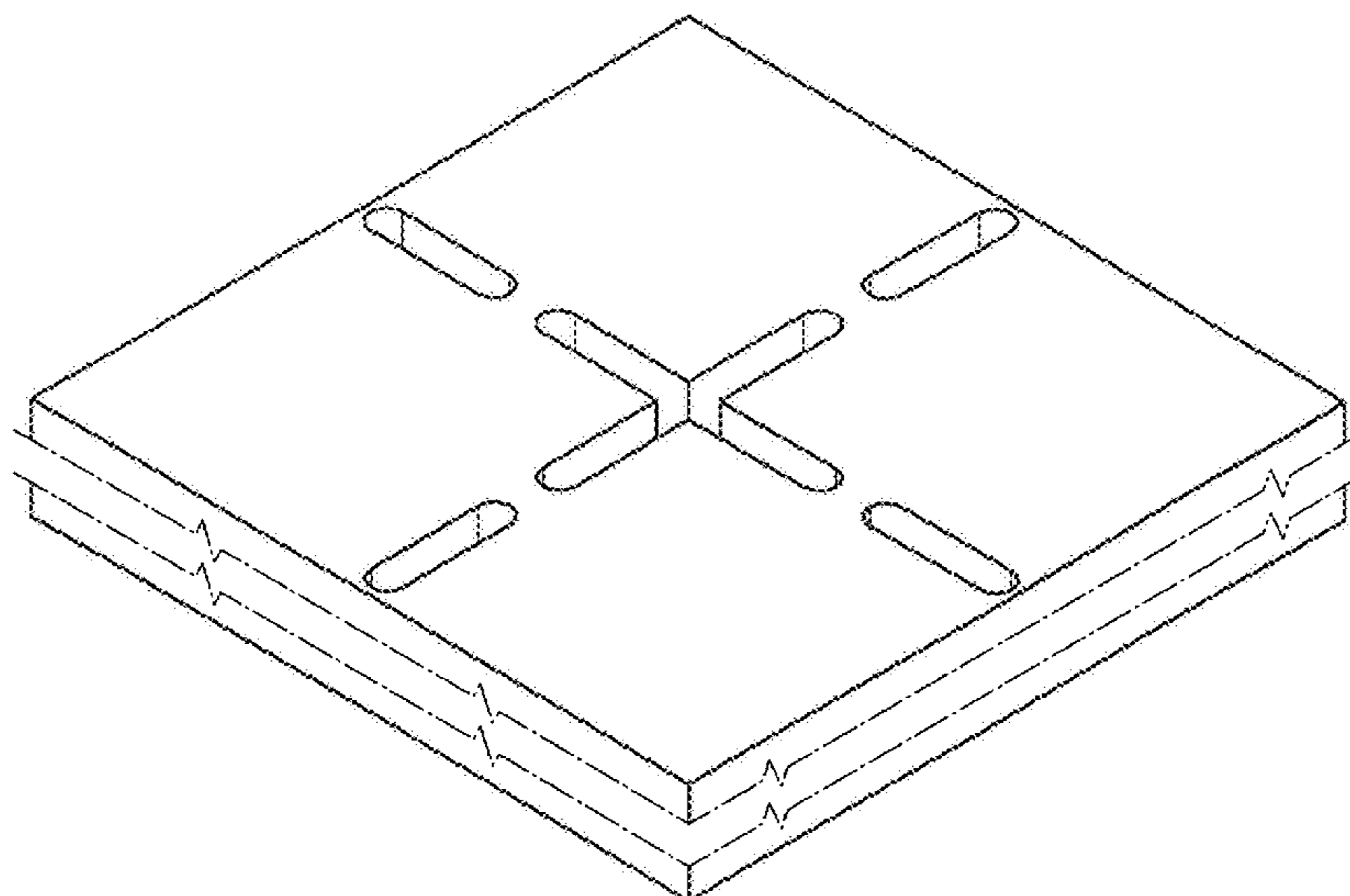
(57) **CLAIM**

We claim an ornamental design for the shim, as shown and
described.

DESCRIPTION

FIG. 1 is a perspective view of the shim;
FIG. 2 is a rear elevation view of the shim of FIG. 1;
FIG. 3 is a left side elevation view of the shim of FIG. 1;
FIG. 4 is a top plan view, which is identical to the bottom
plan view, of the shim of FIG. 1;
FIG. 5 is a right side elevation view of the shim of FIG. 1;
and,
FIG. 6 is a front elevation view of the shim of FIG. 1.
The break lines shown in FIGS. 1-6 represent that the shim
is of variable thickness.
The dashed lines are included for illustrating environmental
structure and form no part of the claimed design.

1 Claim, 2 Drawing Sheets



(58) **Field of Classification Search**

CPC ... 2235/422; C04B 2235/6021; C04B 2235/60

See application file for complete search history.

(56) **References Cited**

U.S. PATENT DOCUMENTS

D646,798 S	*	10/2011	MacKenny	D25/113
D812,113 S	*	3/2018	Sakaguchi	D15/135
D812,114 S	*	3/2018	Sakaguchi	D15/135
D836,685 S	*	12/2018	Fraser	D15/135

* cited by examiner

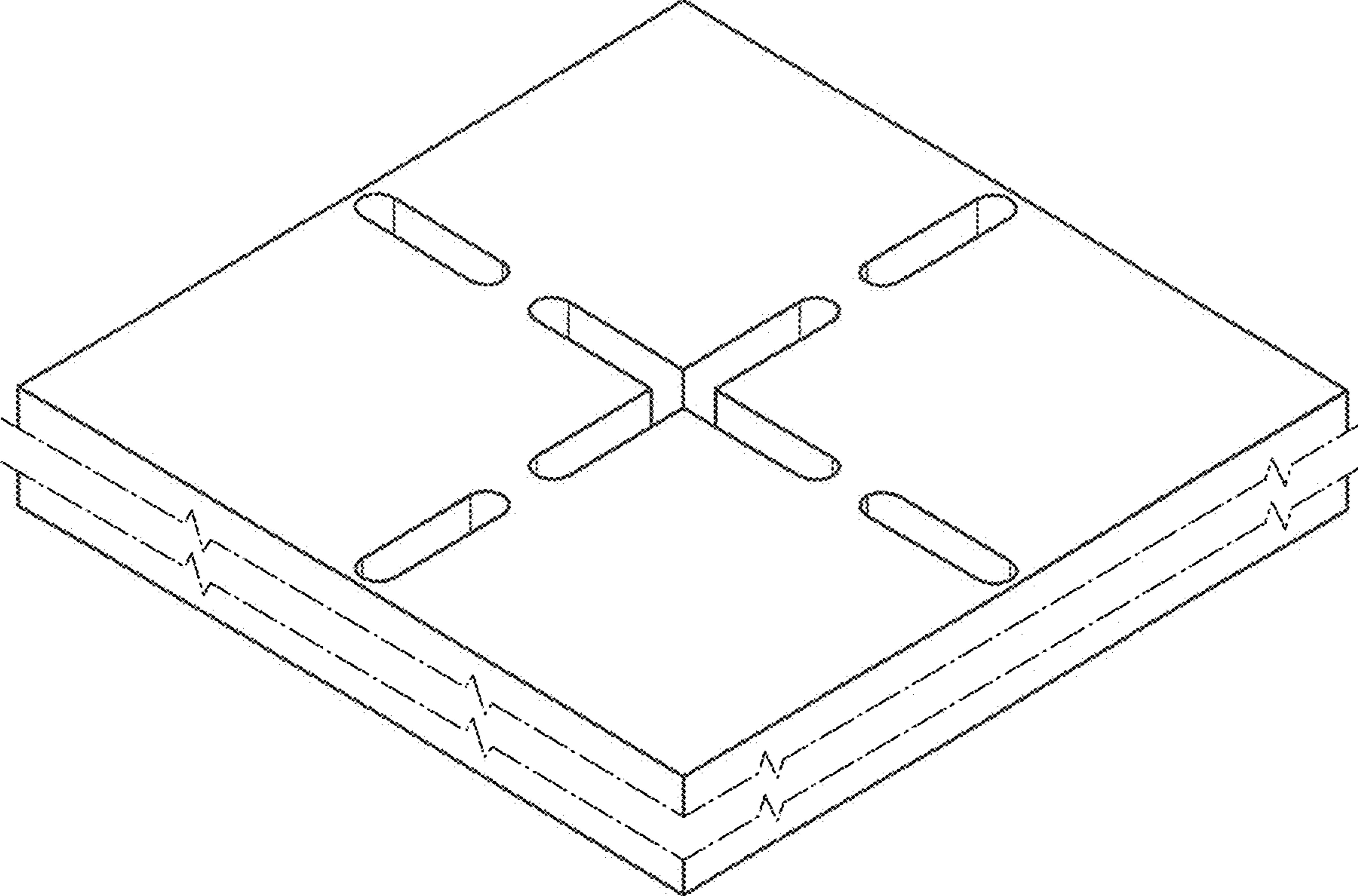


FIG. 1

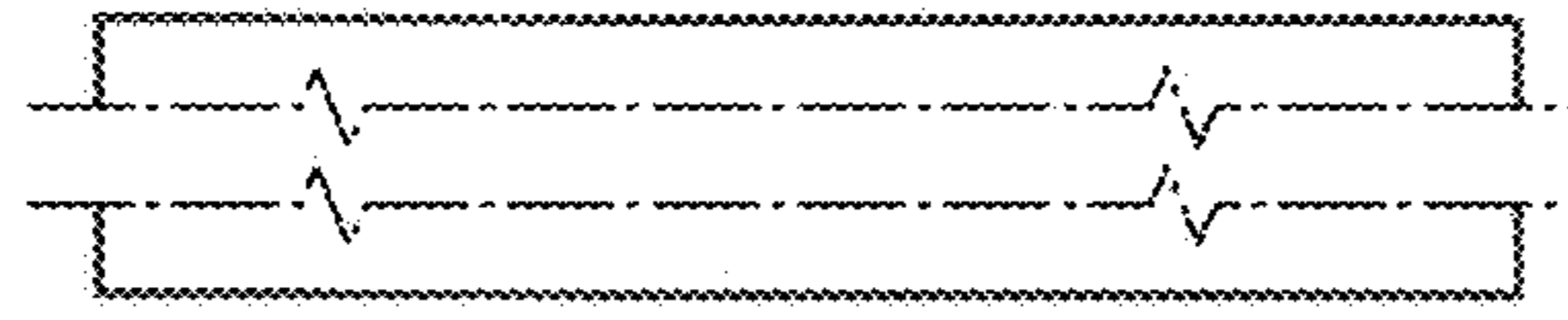


FIG. 2

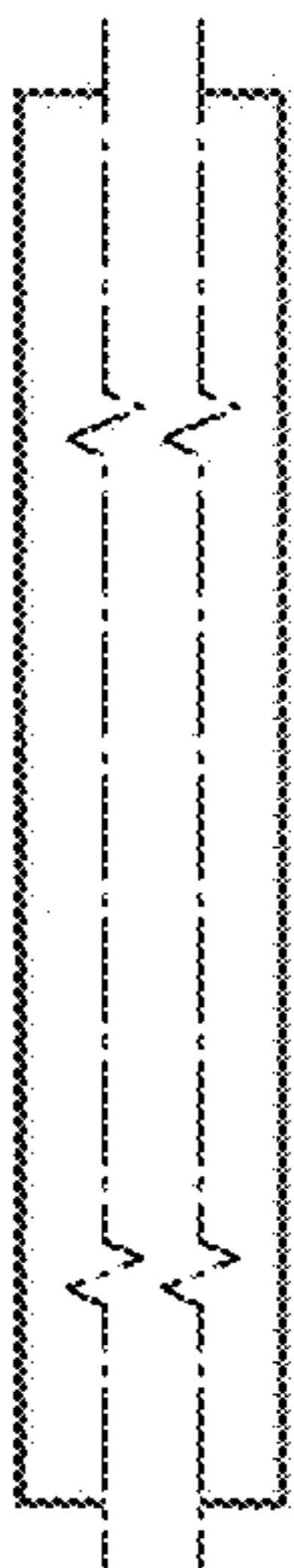


FIG. 3

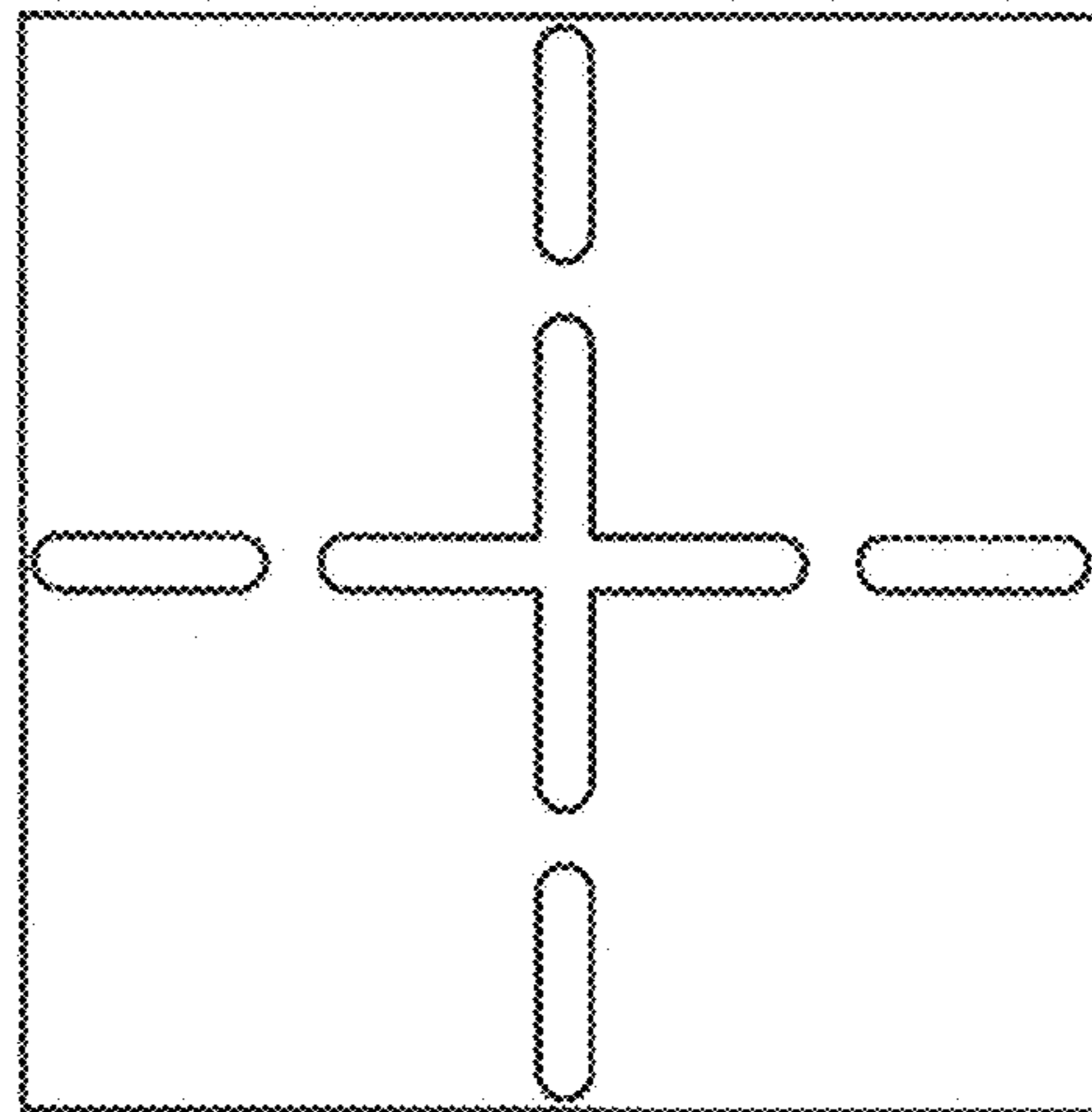


FIG. 4

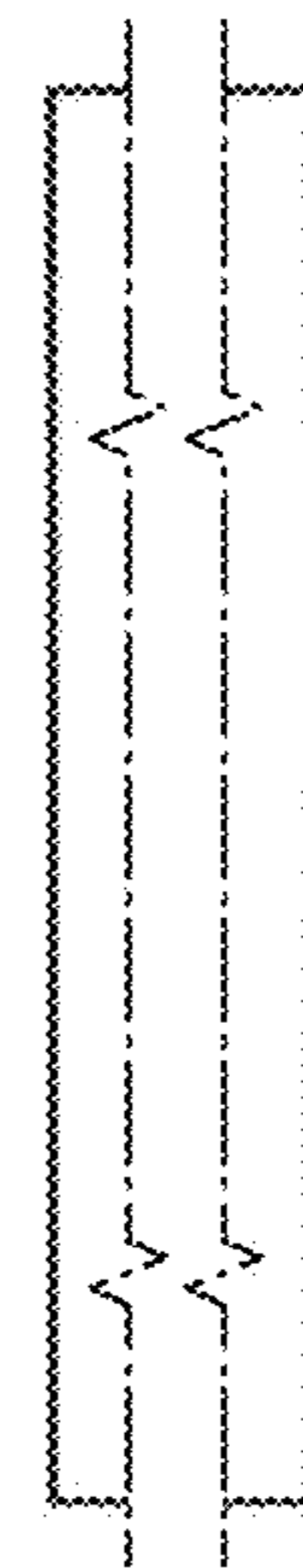


FIG. 5

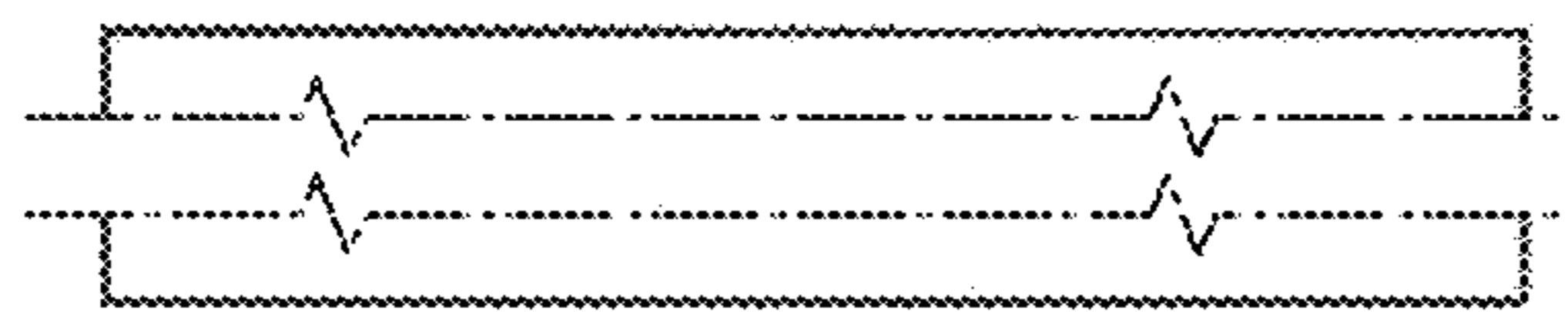


FIG. 6