



US00D906383S

(12) **United States Design Patent**
Wegener et al.

(10) **Patent No.:** **US D906,383 S**
(45) **Date of Patent:** **** Dec. 29, 2020**

(54) **ELECTRICAL HEATER FOR INJECTION-MOLDING MACHINE**

(71) Applicant: **Hotset GmbH**, Luedenscheid (DE)
(72) Inventors: **Hans-Josef Wegener**, Hagen (DE);
Tim Markus Strauss, Altena (DE)
(73) Assignee: **HOTSET GMBH**, Luedenscheid (DE)
(**) Term: **15 Years**

(21) Appl. No.: **29/660,158**

(22) Filed: **Aug. 17, 2018**

(51) **LOC (12) Cl.** **15-09**

(52) **U.S. Cl.**
USPC **D15/135**

(58) **Field of Classification Search**
USPC D8/29.1, 29.2, 30, 61; D15/144, 144.1,
D15/144.2
CPC B29C 45/73; B29C 45/2738; H05B 3/40;
H05B 3/42; H05B 3/48; Y10S 425/013;
Y10S 425/245; Y10S 425/246
See application file for complete search history.

(56) **References Cited**

U.S. PATENT DOCUMENTS

1,857,615	A *	5/1932	Backer	H05B 3/48 264/82
2,091,107	A *	8/1937	Reichmann	H05B 3/44 264/616
2,480,903	A *	9/1949	Charbonneau	H05B 3/48 174/77 R
2,527,890	A *	10/1950	Pouchnik	H05B 3/06 174/77 R
3,122,718	A *	2/1964	Boggs	H05B 3/48 338/273
3,366,913	A *	1/1968	Davis	H05B 3/48 338/322
4,112,410	A *	9/1978	Wrob	H01C 3/20 29/611

4,287,502	A *	9/1981	Nickmeyer	H01C 1/03 219/541
4,697,069	A *	9/1987	Bleckmann	H05B 3/48 219/510
4,900,897	A *	2/1990	Cunningham	H05B 3/48 219/523
5,065,818	A *	11/1991	Van Egmond	E21B 36/04 166/60
5,225,211	A *	7/1993	Imaida	B29C 45/30 264/328.15
5,975,756	A *	11/1999	Jones	G01K 7/42 219/544

(Continued)

OTHER PUBLICATIONS

“Hotflex flexibler Rohrheizkoerper” (hotflex flexible tube heater)
Product Literature Sep. 2015.

Primary Examiner — Patricia A Palasik
(74) *Attorney, Agent, or Firm* — Andrew Wilford

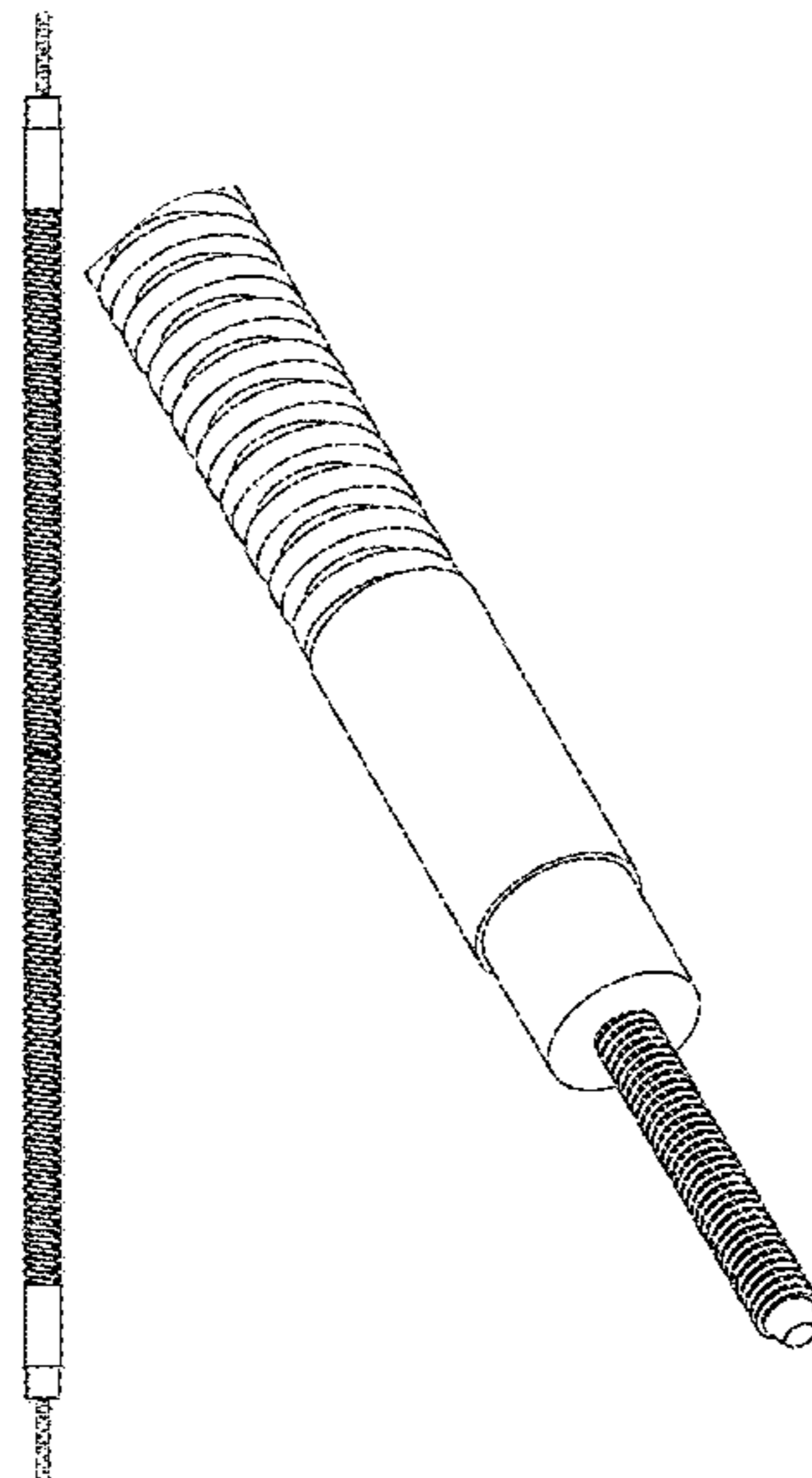
(57) **CLAIM**

The ornamental design for an electrical heater for injection-molding machine, as shown and described.

DESCRIPTION

FIG. 1 is a large-scale front side view of a center portion of the electrical heater;
FIG. 2 is a large-scale back side view of the center portion showing a center marking;
FIG. 3 is a smaller-scale side view of an end of the heater, the other end being identical;
FIG. 4 is a small-scale view of the entire heater;
FIG. 5 is a perspective view of the end portion as in FIG. 3;
FIG. 6 is a large-scale end view of the heater; and,
FIGS. 7, 8, 9, and 10 are views like respective FIGS. 3, 4, 5, and 6 of a variant of the heater with a smooth rather than a threaded connection pin.

1 Claim, 5 Drawing Sheets



US D906,383 S

Page 2

(56)

References Cited

U.S. PATENT DOCUMENTS

6,130,410	A *	10/2000	Kita	F23Q 7/001 123/145 A
6,408,503	B1 *	6/2002	Schwarzkopf	H05B 3/48 219/536
8,932,039	B1 *	1/2015	Wachob	B29C 33/34 425/127
D879,169	S *	3/2020	Xu	D15/144.2
2003/0201865	A1 *	10/2003	Ritt	H05B 3/48 337/4
2006/0289474	A1 *	12/2006	Johnson	H05B 3/48 219/544
2009/0008383	A1 *	1/2009	Kurono	H05B 3/48 219/553
2011/0240625	A1 *	10/2011	Takenouchi	G01N 27/4067 219/260
2013/0098897	A1 *	4/2013	Huang	H05B 3/50 219/548
2014/0090618	A1 *	4/2014	Morita	F23Q 7/001 123/179.21
2014/0196680	A1 *	7/2014	Torazawa	F23Q 7/001 123/145 A
2014/0361005	A1 *	12/2014	Kasahara	H05B 3/48 219/553
2014/0373800	A1 *	12/2014	Hirata	H05B 3/48 123/145 A
2015/0292739	A1 *	10/2015	Harada	F23Q 7/001 219/534
2016/0073694	A1 *	3/2016	Liu	H05B 3/40 131/329
2018/0266725	A1 *	9/2018	Reichl	F24H 9/2071
2018/0279417	A1 *	9/2018	Schlipf	H05B 3/48
2018/0302954	A1 *	10/2018	Lutz, II	H05B 3/78
2019/0200728	A1 *	7/2019	Kaul	B29C 45/73
2019/0226751	A1 *	7/2019	Pasqual	B32B 1/08
2019/0342949	A1 *	11/2019	Schlipf	H05B 1/0236

* cited by examiner

Fig. 1

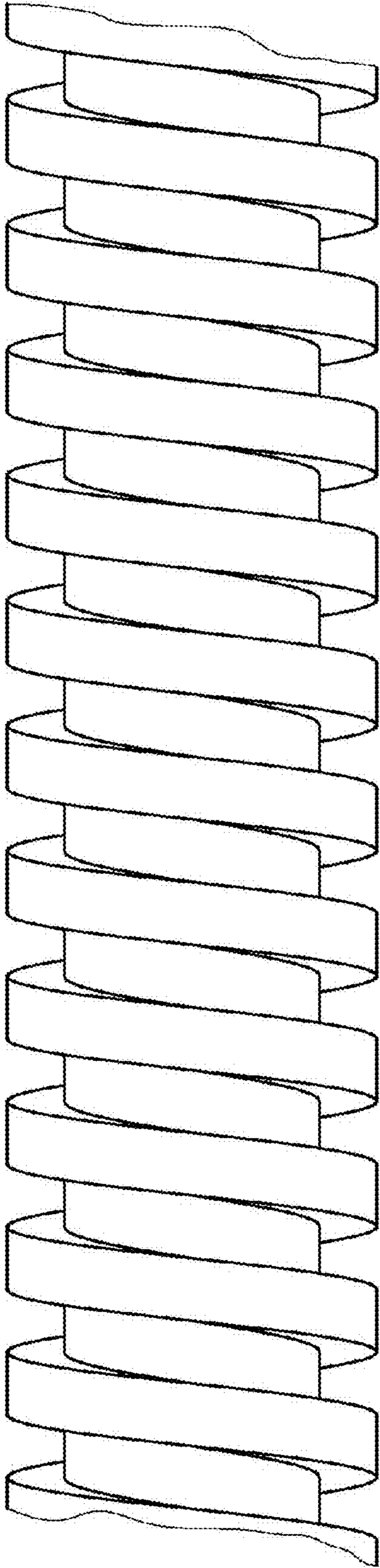


Fig. 2

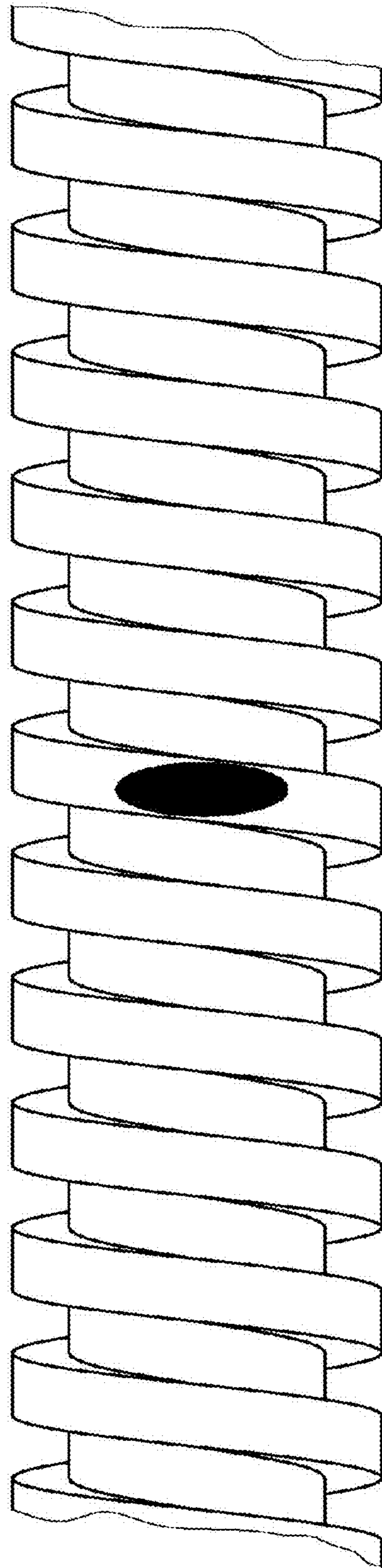


Fig. 3

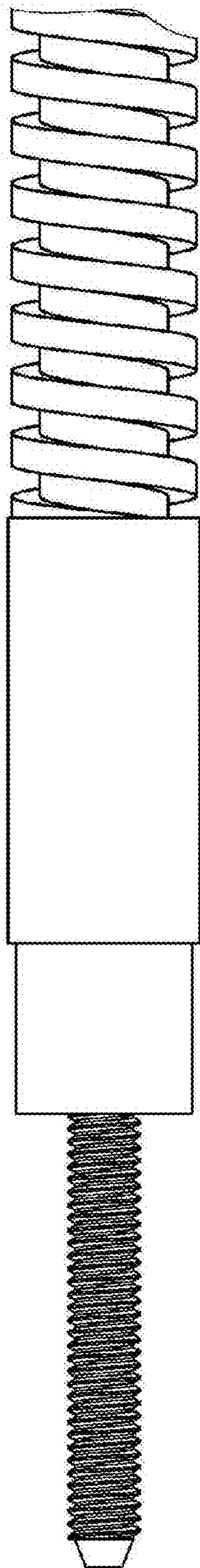


Fig. 4



Fig. 6

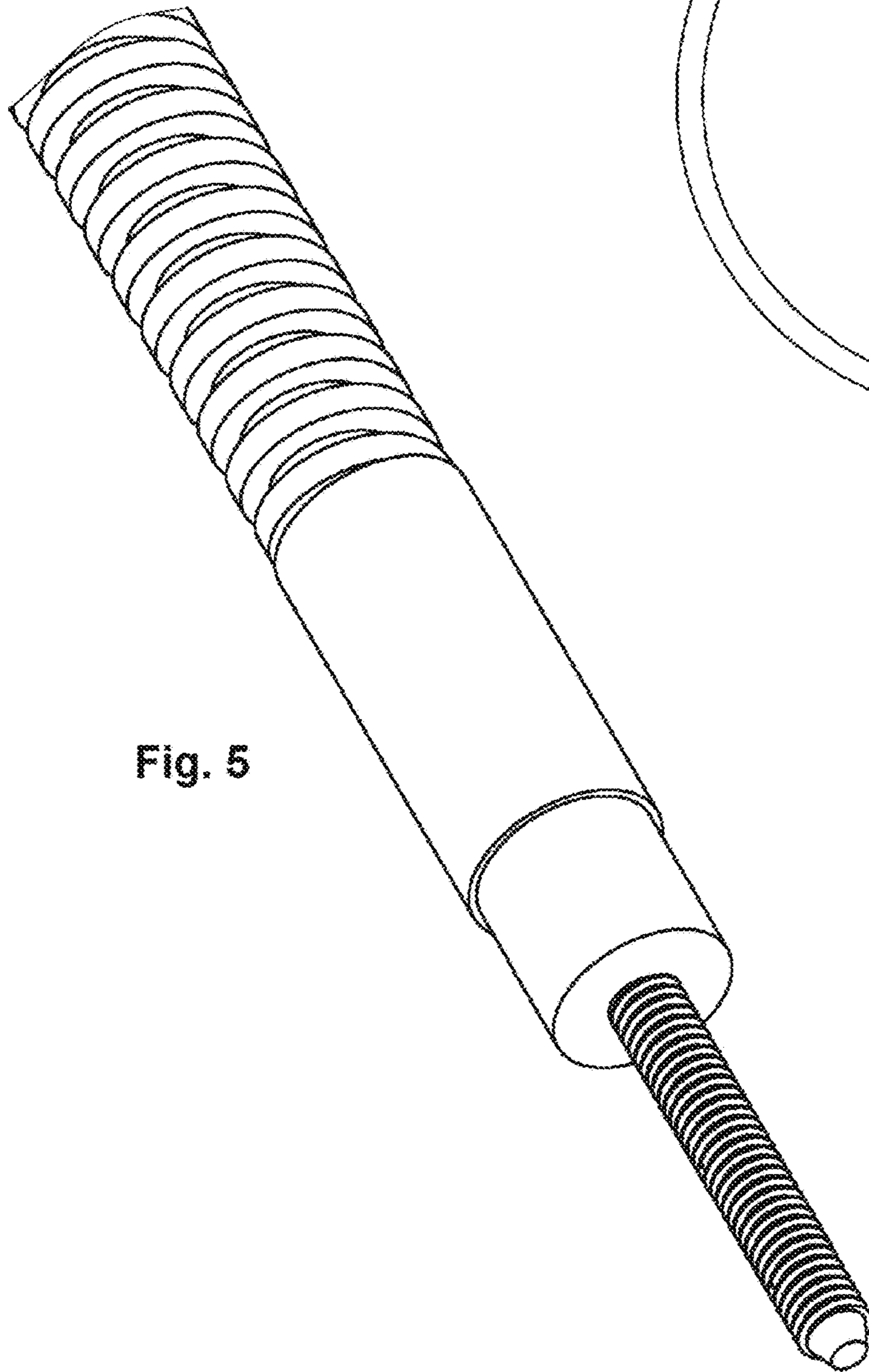
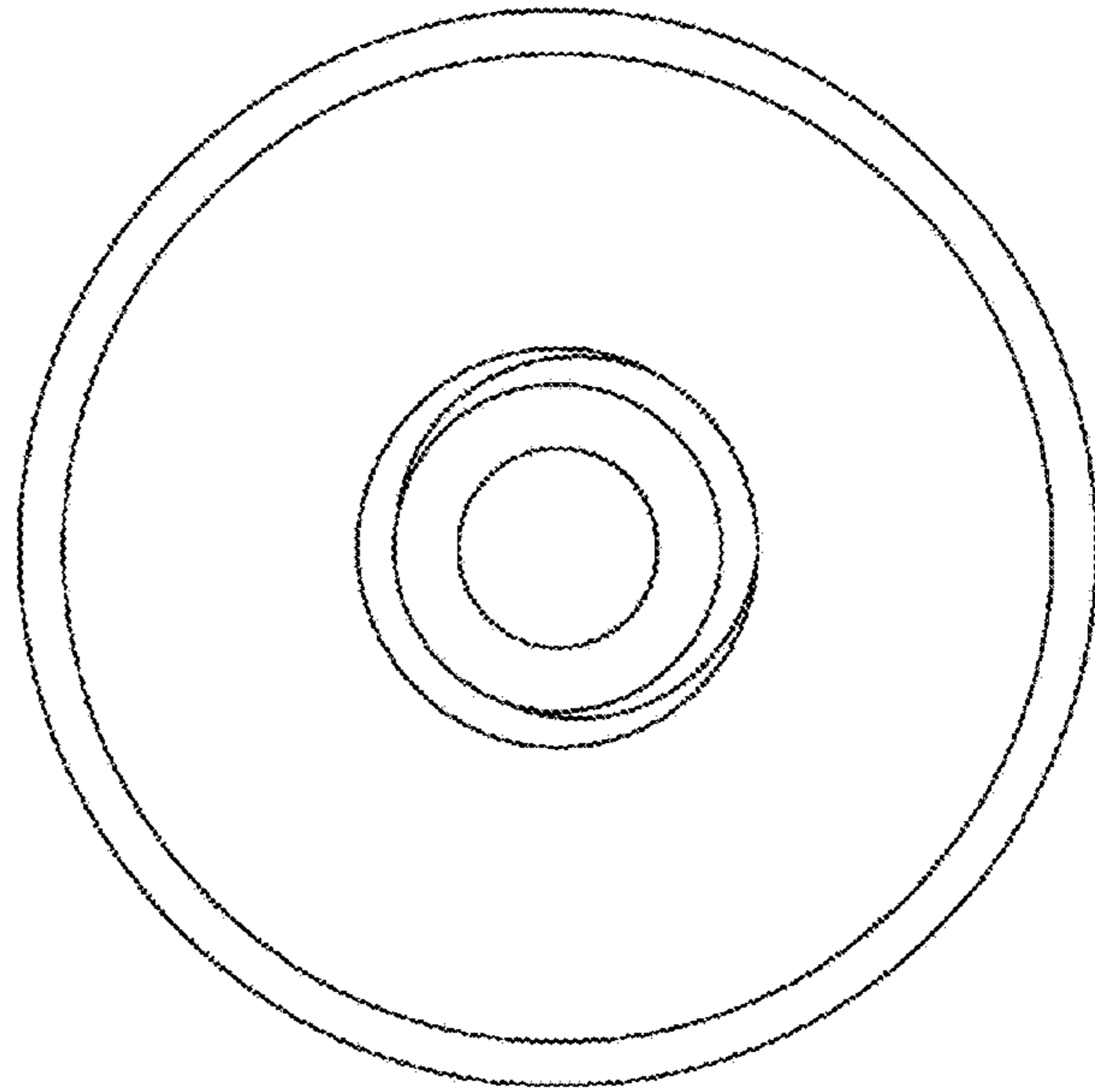


Fig. 5

Fig. 7

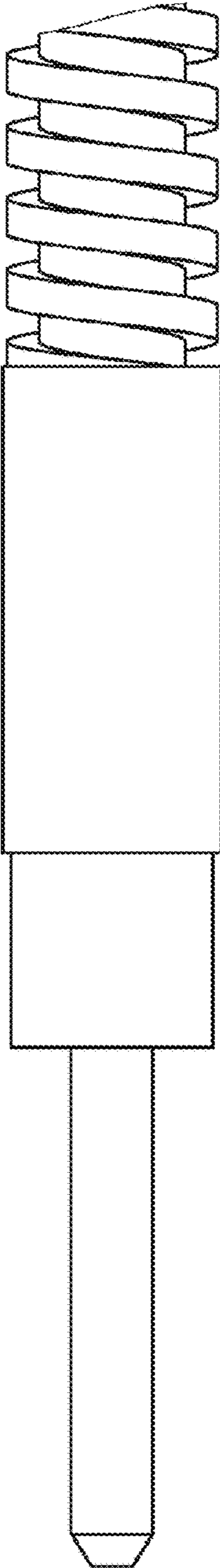


Fig. 8



Fig. 10

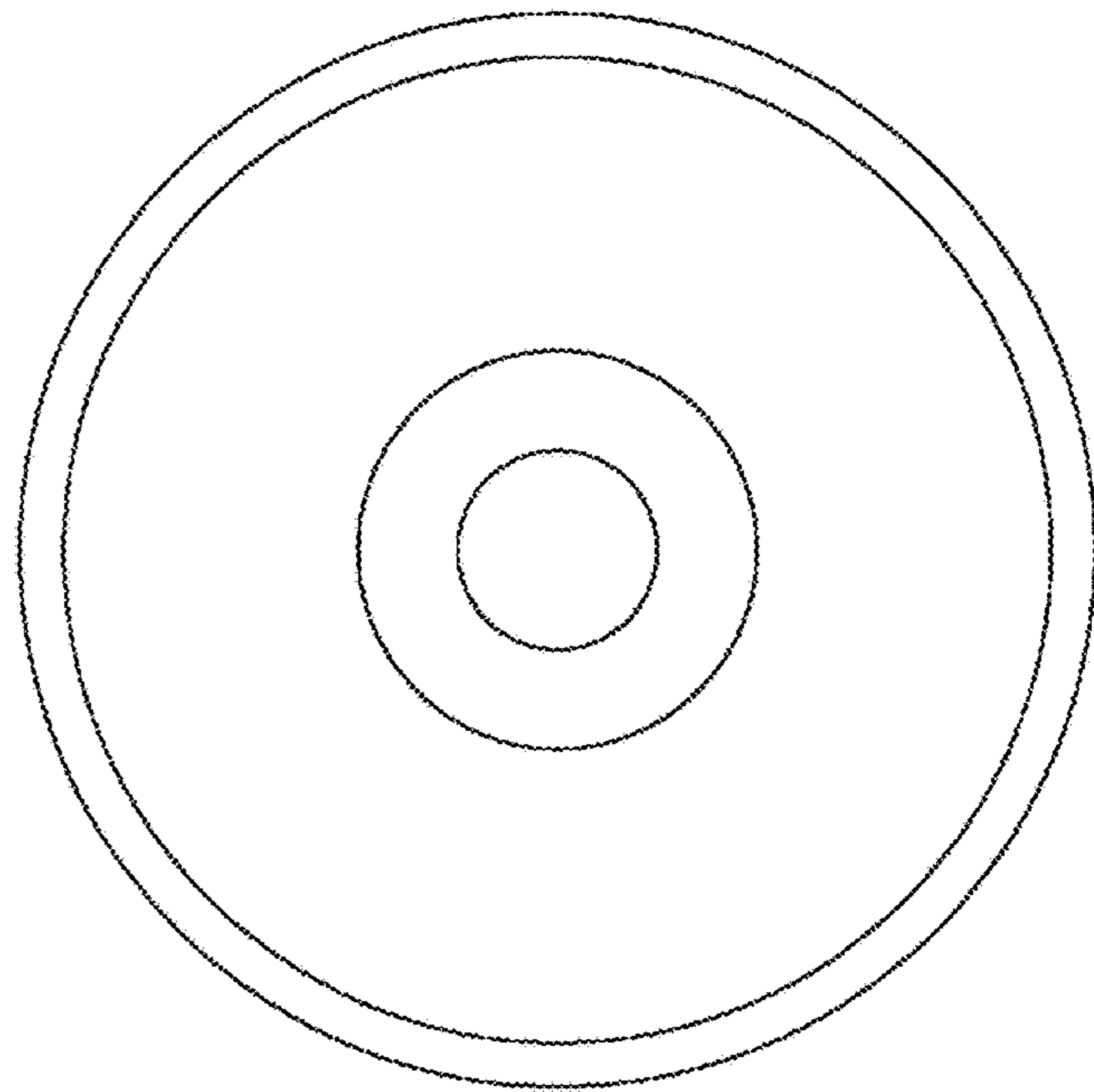


Fig. 9

