



US00D906382S

(12) **United States Design Patent** (10) **Patent No.:** **US D906,382 S**
Jeffery et al. (45) **Date of Patent:** **** Dec. 29, 2020**

(54) **THREE-DIMENSIONAL PRINTER**

(56) **References Cited**

(71) Applicant: **Formlabs, Inc.**, Somerville, MA (US)

U.S. PATENT DOCUMENTS

(72) Inventors: **Nate Jeffery**, Boston, MA (US); **Yoav Reches**, Cambridge, MA (US); **John E. Ouchterlony**, Cambridge, MA (US); **Ryan Smith**, Somerville, MA (US)

D275,286 S * 8/1984 Cless D18/55
D362,673 S * 9/1995 Yamamoto D18/19
D579,487 S * 10/2008 Yamada D18/50

(Continued)

(73) Assignee: **Formlabs, Inc.**, Somerville, MA (US)

FOREIGN PATENT DOCUMENTS

(**) Term: **15 Years**

CN 305447475 * 11/2019
CN 305485873 * 12/2019

(Continued)

(21) Appl. No.: **29/683,857**

OTHER PUBLICATIONS

(22) Filed: **Mar. 15, 2019**

YouTube. Link: https://www.youtube.com/watch?v=AzWTqUI_fAA. Nov. 12, 2019. Formlabs Introducing The Form 3B: Optimized For Dental. (Year: 2019).*

(Continued)

(51) **LOC (12) Cl.** **15-09**

(52) **U.S. Cl.**

USPC **D15/122**

(58) **Field of Classification Search**

USPC D15/122, 135, 138, 141; D18/14, 19, 50, D18/54, 54.1, 55, 59

CPC B22F 3/105; B22F 3/008; B29C 35/00; B29C 35/02; B29C 35/04; B29C 35/06; B29C 35/08; B29C 35/10; B29C 35/12; B29C 35/14; B29C 35/16; B29C 35/18; B29C 37/00; B29C 37/02; B29C 37/04; B29C 67/00; B29C 67/02; B29C 67/04; B29C 67/06; B29C 67/08; B29C 67/20; B29C 67/24; B29C 69/00; B29C 69/02; B29C 70/00; B29C 70/02; B29C 70/04; B29C 70/06; B29C 70/08; B29C 70/10; B29C 70/12; B29C 70/14; B29C 70/16; B29C 70/18; B29C 70/20; B29C 70/22; B29C 70/24; B29C 70/26; B29C 70/28; B29C 41/12; B29C 41/36; B29C 67/0081; B41J 2/155; B41J 2/17513; B41J 2/17556; B41J 2/17596; B41J 2/16552; B41J

Primary Examiner — Lauren D McVey

(74) *Attorney, Agent, or Firm* — Wolf, Greenfield & Sacks, P.C.

(57) **CLAIM**

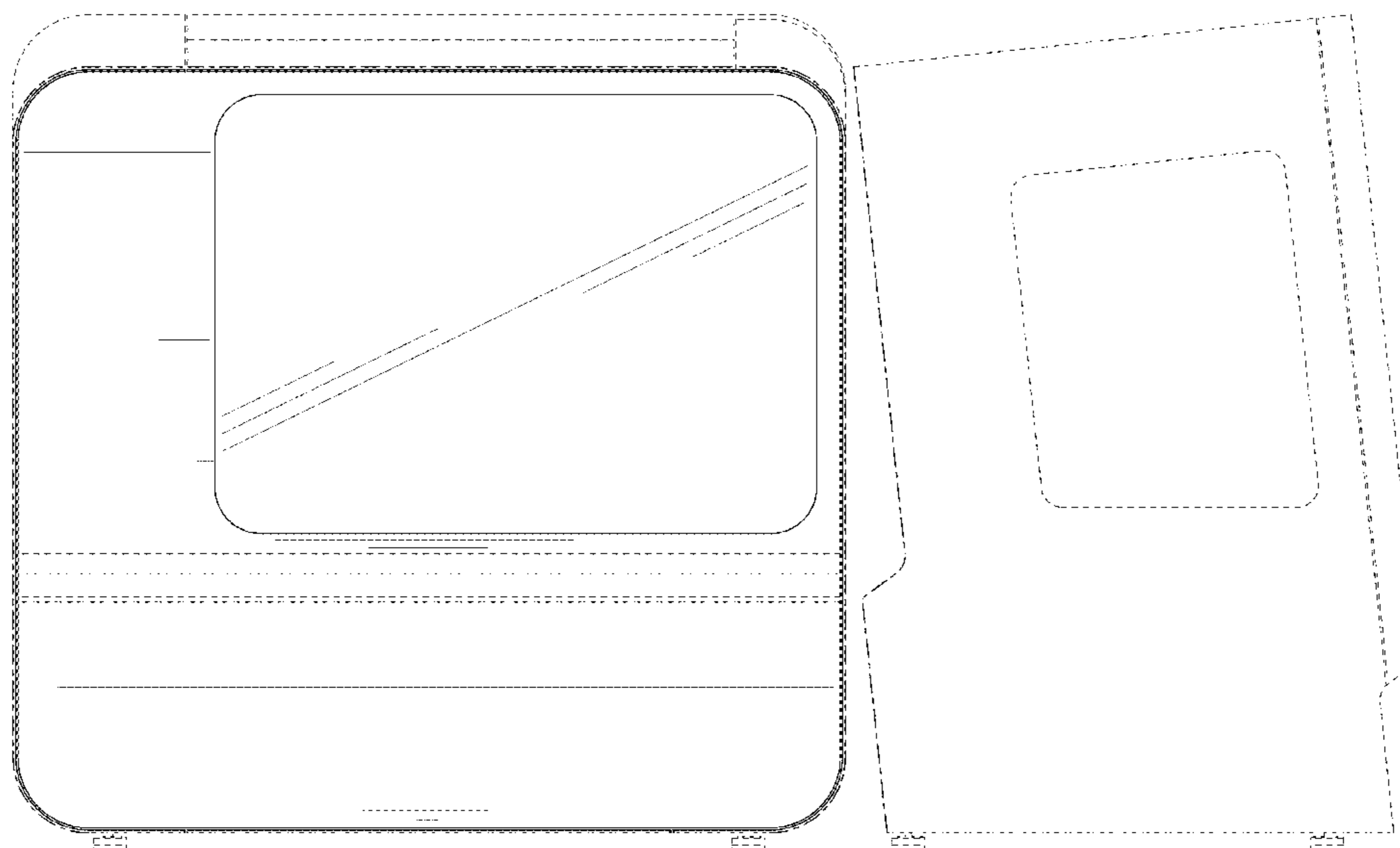
The ornamental design for a three-dimensional printer, as shown and described.

DESCRIPTION

FIG. 1 is a front, right side perspective view of a three-dimensional printer according to our new design; FIG. 2 is a front elevation view thereof; FIG. 3 is a rear elevation view thereof; FIG. 4 is a left side elevation view thereof; FIG. 5 is a right side elevation view thereof; FIG. 6 is a top plan view thereof; and, FIG. 7 is a bottom plan view thereof. The dot-dash broken lines depict the bounds of the claimed design and form no part of the claimed design. All dash-dash broken lines depict portions of the three-dimensional printer that form no part of the claimed design.

(Continued)

1 Claim, 7 Drawing Sheets



(58) **Field of Classification Search**

CPC 2/16541; B41J 2002/20; B41J 2002/14475;
B29K 2995/0021

See application file for complete search history.

(56) **References Cited**

U.S. PATENT DOCUMENTS

D634,358 S * 3/2011 Yoshioka D18/50
D736,838 S * 8/2015 Costabeber D15/122
D757,132 S * 5/2016 Liu D15/122
D759,158 S * 6/2016 Lee D18/50
D809,574 S * 2/2018 Lin D15/122
D850,501 S * 6/2019 Schmitt D15/122
D858,590 S * 9/2019 Kazaoka D15/122

FOREIGN PATENT DOCUMENTS

CN 305544774 * 1/2020
WO WO-2017025015 A1 * 2/2017 B29C 67/02
WO WO-2017050118 A1 * 3/2017 B29C 67/00
WO WO-2017162118 A1 * 9/2017 B29C 67/00
WO WO-2017165832 A1 * 9/2017 B29C 67/00

OTHER PUBLICATIONS

YouTube. Link: <https://www.youtube.com/watch?v=dLIRAkXa6t8>.
Apr. 2, 2019. Formlabs Inside the Form 3 and Form 3L: Deep Dive.
(Year: 2019).*

* cited by examiner

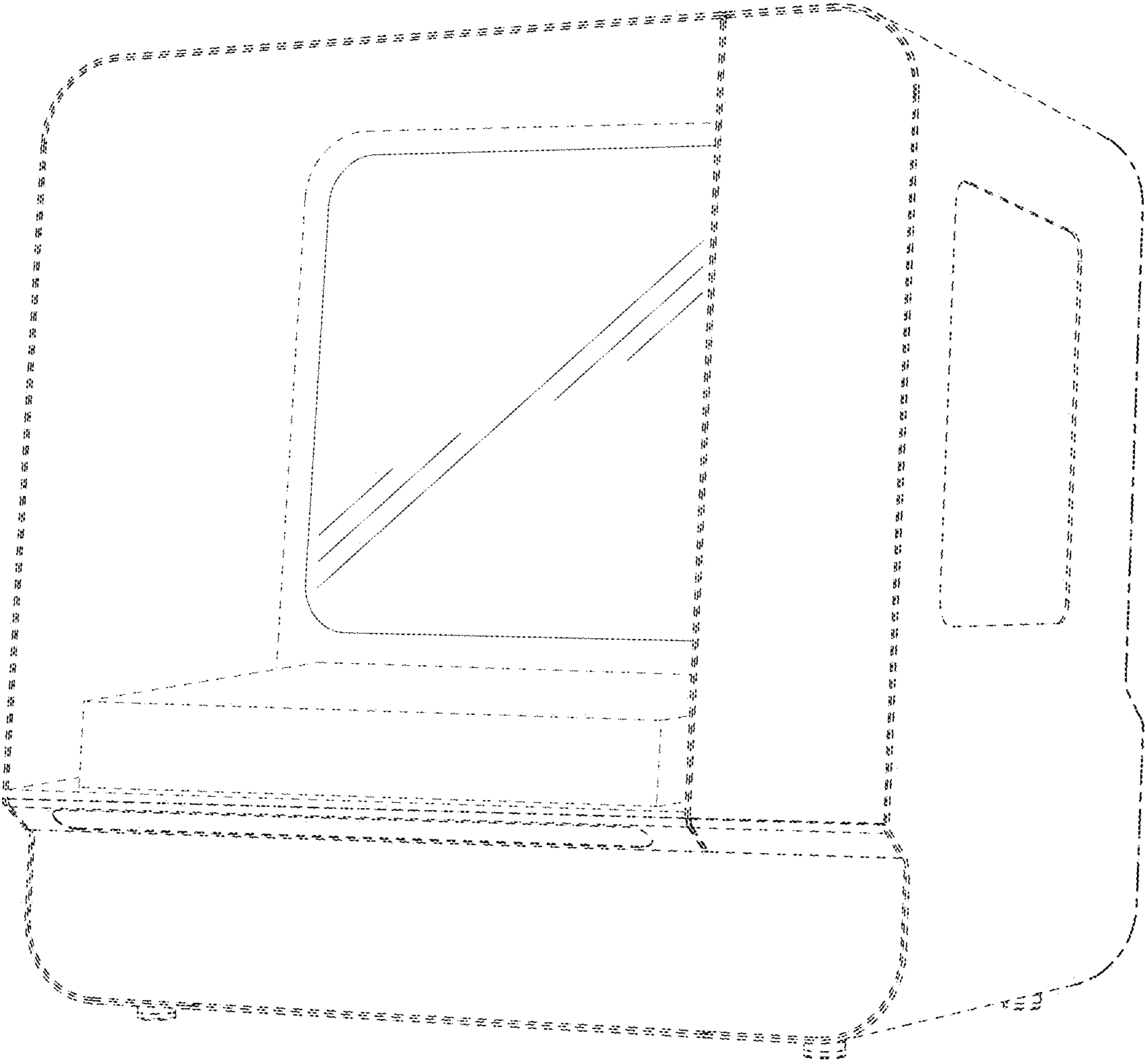


FIG. 1

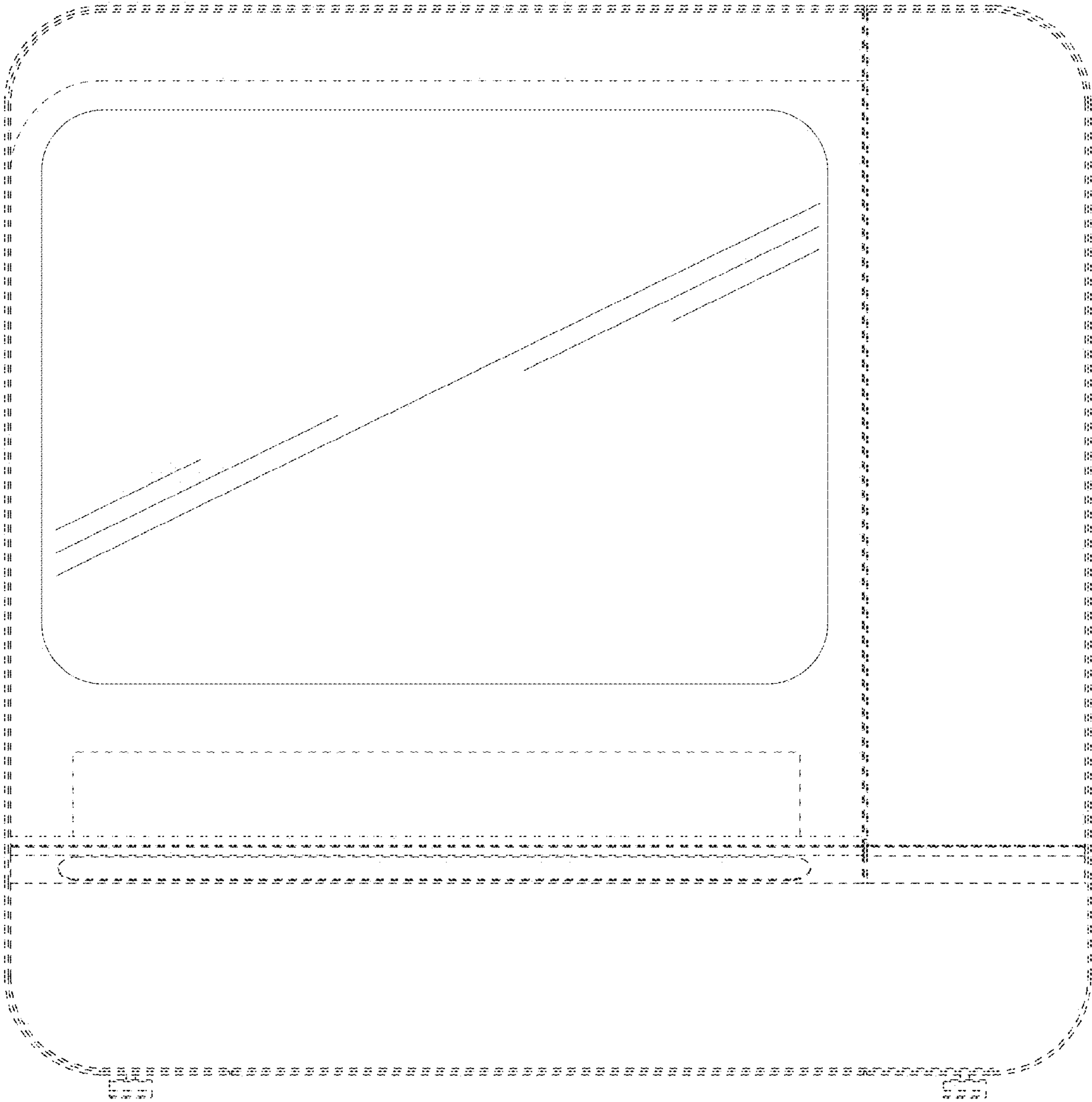


FIG. 2

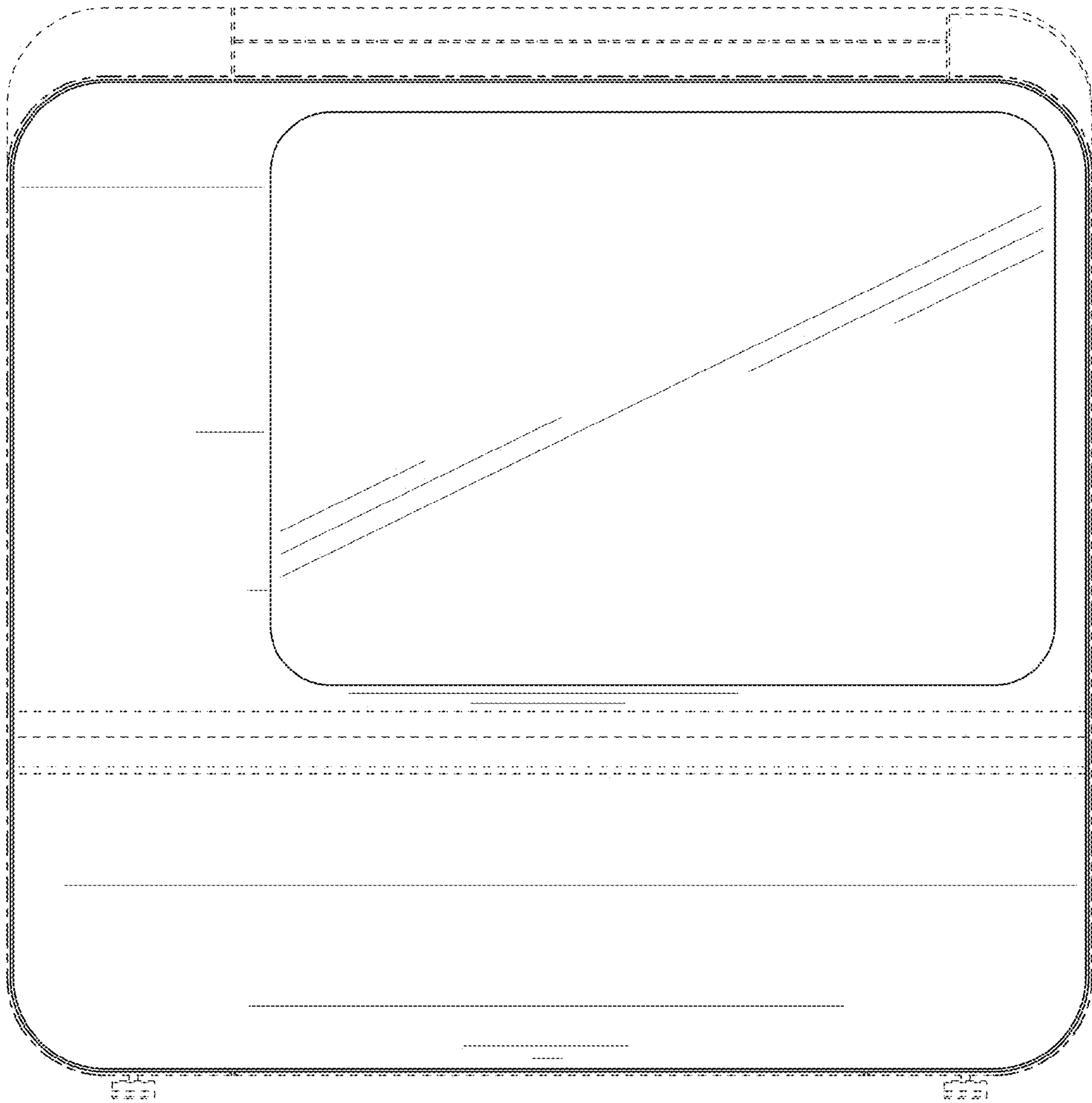


FIG. 3

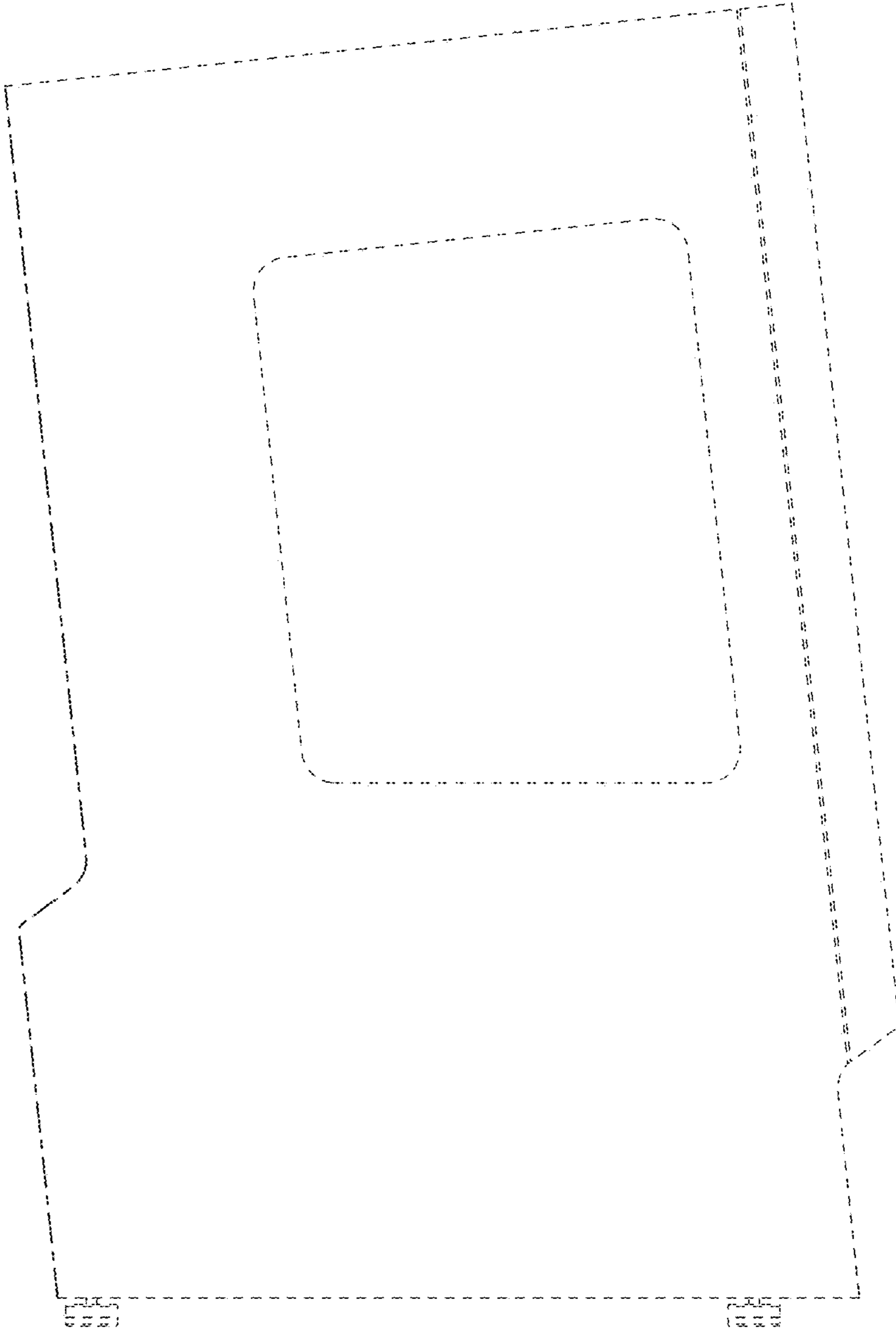


FIG. 4

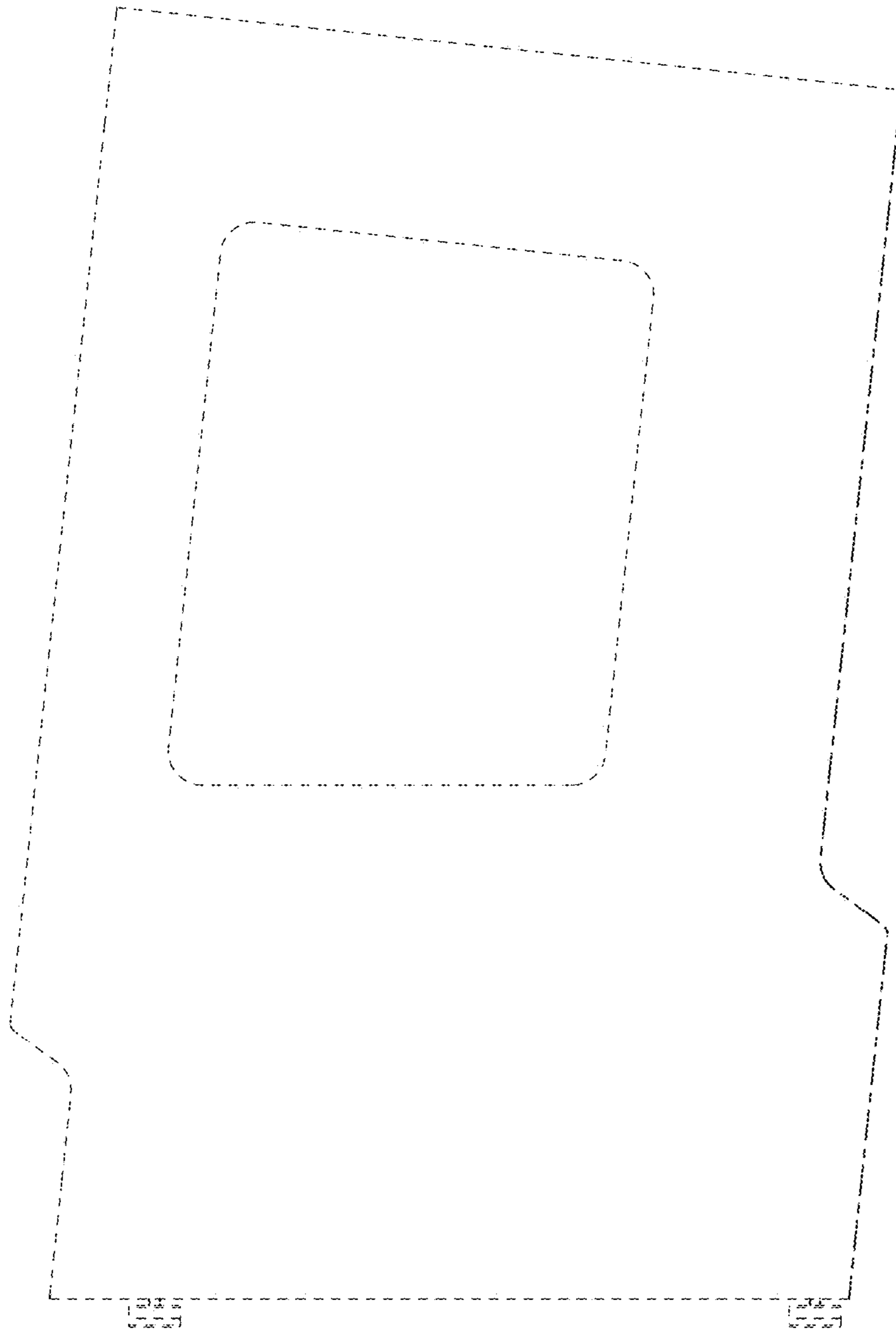


FIG. 5



FIG. 6

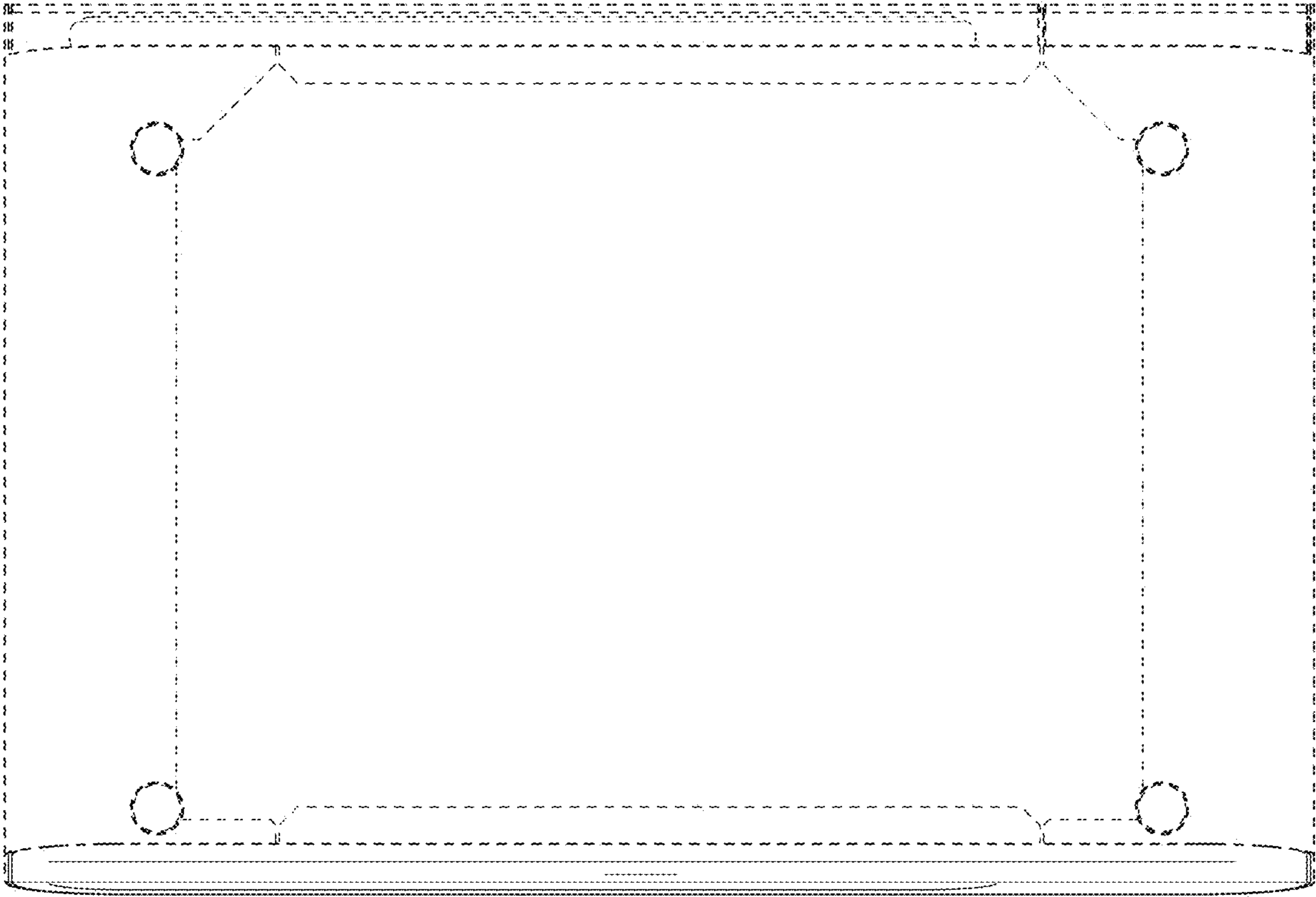


FIG. 7