



US00D906381S

(12) **United States Design Patent**
Jeffery et al.

(10) **Patent No.: US D906,381 S**
(45) **Date of Patent: ** Dec. 29, 2020**

(54) **THREE-DIMENSIONAL PRINTER**

(71) Applicant: **Formlabs, Inc.**, Somerville, MA (US)

(72) Inventors: **Nate Jeffery**, Boston, MA (US); **Yoav Reches**, Cambridge, MA (US); **Jason Livingston**, Somerville, MA (US); **Robert Wang**, Somerville, MA (US)

(73) Assignee: **Formlabs, Inc.**, Somerville, MA (US)

(**) Term: **15 Years**

(21) Appl. No.: **29/683,852**

(22) Filed: **Mar. 15, 2019**

(51) **LOC (12) Cl.** **15-09**

(52) **U.S. Cl.**
USPC **D15/122**

(58) **Field of Classification Search**
USPC D15/122, 135, 138, 141; D18/14, 19, 50, D18/54, 54.1, 55, 59
CPC B22F 3/105; B22F 3/008; B29C 35/00; B29C 35/02; B29C 35/04; B29C 35/06; B29C 35/08; B29C 35/10; B29C 35/12; B29C 35/14; B29C 35/16; B29C 35/18; B29C 37/00; B29C 37/02; B29C 37/04;
(Continued)

(56) **References Cited**

U.S. PATENT DOCUMENTS

D249,981 S * 10/1978 Karp D18/19
D297,141 S * 8/1988 Goodlander D18/59
(Continued)

FOREIGN PATENT DOCUMENTS

CN 304742791 * 7/2018
CN 305022994 * 2/2019
(Continued)

OTHER PUBLICATIONS

YouTube. Link: https://www.youtube.com/watch?v=AzWTgUI_fAA. Nov. 12, 2019. Formlabs Introducing The Form 3B: Optimized for Dental. (Year: 2019).*

(Continued)

Primary Examiner — Lauren D McVey
(74) *Attorney, Agent, or Firm* — Wolf, Greenfield & Sacks, P.C.

(57) **CLAIM**

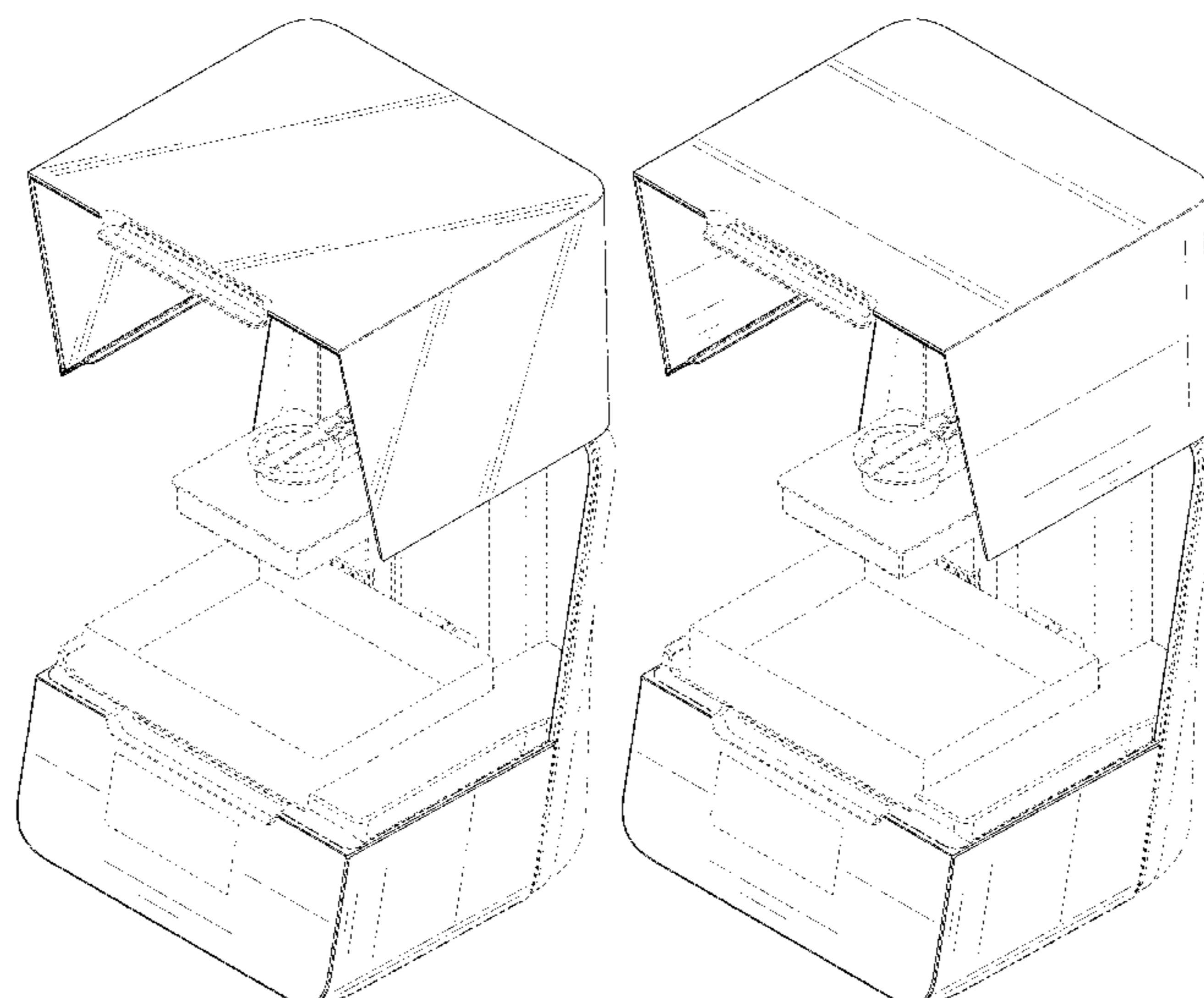
The ornamental design for a three-dimensional printer, as shown and described.

DESCRIPTION

FIG. 1 is a top, front, right side perspective view of a first embodiment of a three-dimensional printer according to our new design;
FIG. 2 is a front elevation view thereof;
FIG. 3 is a rear elevation view thereof;
FIG. 4 is a left side elevation view thereof;
FIG. 5 is a right side elevation view thereof;
FIG. 6 is a top plan view thereof;
FIG. 7 is a bottom plan view thereof;
FIG. 8 is a top, front, right side perspective view of a second embodiment of the three-dimensional printer;
FIG. 9 is a front elevation view thereof;
FIG. 10 is a rear elevation view thereof;
FIG. 11 is a left side elevation view thereof;
FIG. 12 is a right side elevation view thereof;
FIG. 13 is a top plan view thereof; and,
FIG. 14 is a bottom plan view thereof.

The dot-dash broken lines and dash-dash broken lines immediately adjacent to the shaded areas depict the bounds of the claimed design and form no part of the claimed design. All other dash-dash broken lines depict portions of the three-dimensional printer that form no part of the claims design. In addition, the unshaded bottom surface that directly adjoins the claimed bottom front edge forms no part of the claimed design.

1 Claim, 14 Drawing Sheets



(58) **Field of Classification Search**

CPC B29C 67/00; B29C 67/02; B29C 67/04;
B29C 67/06; B29C 67/08; B29C 67/20;
B29C 67/24; B29C 69/00; B29C 69/02;
B29C 70/00; B29C 70/02; B29C 70/04;
B29C 70/06; B29C 70/08; B29C 70/10;
B29C 70/12; B29C 70/14; B29C 70/16;
B29C 70/18; B29C 70/20; B29C 70/22;
B29C 70/24; B29C 70/26; B29C 70/28;
B29C 41/12; B29C 41/36; B29C 67/0081;
B41J 2/155; B41J 2/17513; B41J
2/17556; B41J 2/17596; B41J 2/16552;
B41J 2/16541; B41J 2002/20; B41J
2002/14475; B29K 2995/0021

See application file for complete search history.

(56) **References Cited**

U.S. PATENT DOCUMENTS

D529,950 S * 10/2006 Katayama D18/50
D711,463 S * 8/2014 Costabeber D14/300
D722,108 S * 2/2015 Reches D18/50

D732,586 S * 6/2015 Chen D15/122
D734,788 S * 7/2015 Reches D15/122
D759,158 S * 6/2016 Lee D18/50
D776,174 S * 1/2017 Summit D15/122
D777,228 S * 1/2017 Chang D15/122
D783,693 S * 4/2017 Reches D15/122
10,414,073 B2 * 9/2019 Livingston B29C 64/20
2018/0354283 A1 * 12/2018 Stamp B41J 2/17563

FOREIGN PATENT DOCUMENTS

CN 305544774 * 1/2020
WO WO-2017025015 A1 * 2/2017 B29C 67/02
WO WO-2017050118 A1 * 3/2017 B29C 67/00
WO WO-2017162118 A1 * 9/2017 B29C 67/00
WO WO-2017165832 A1 * 9/2017 B29C 67/00

OTHER PUBLICATIONS

YouTube. Link: <https://www.youtube.com/watch?v=dLIRAkXa6t8>.
Apr. 2, 2019. Formlabs Inside the Form 3 and Form 3L: Deep Dive.
(Year: 2019).*

* cited by examiner

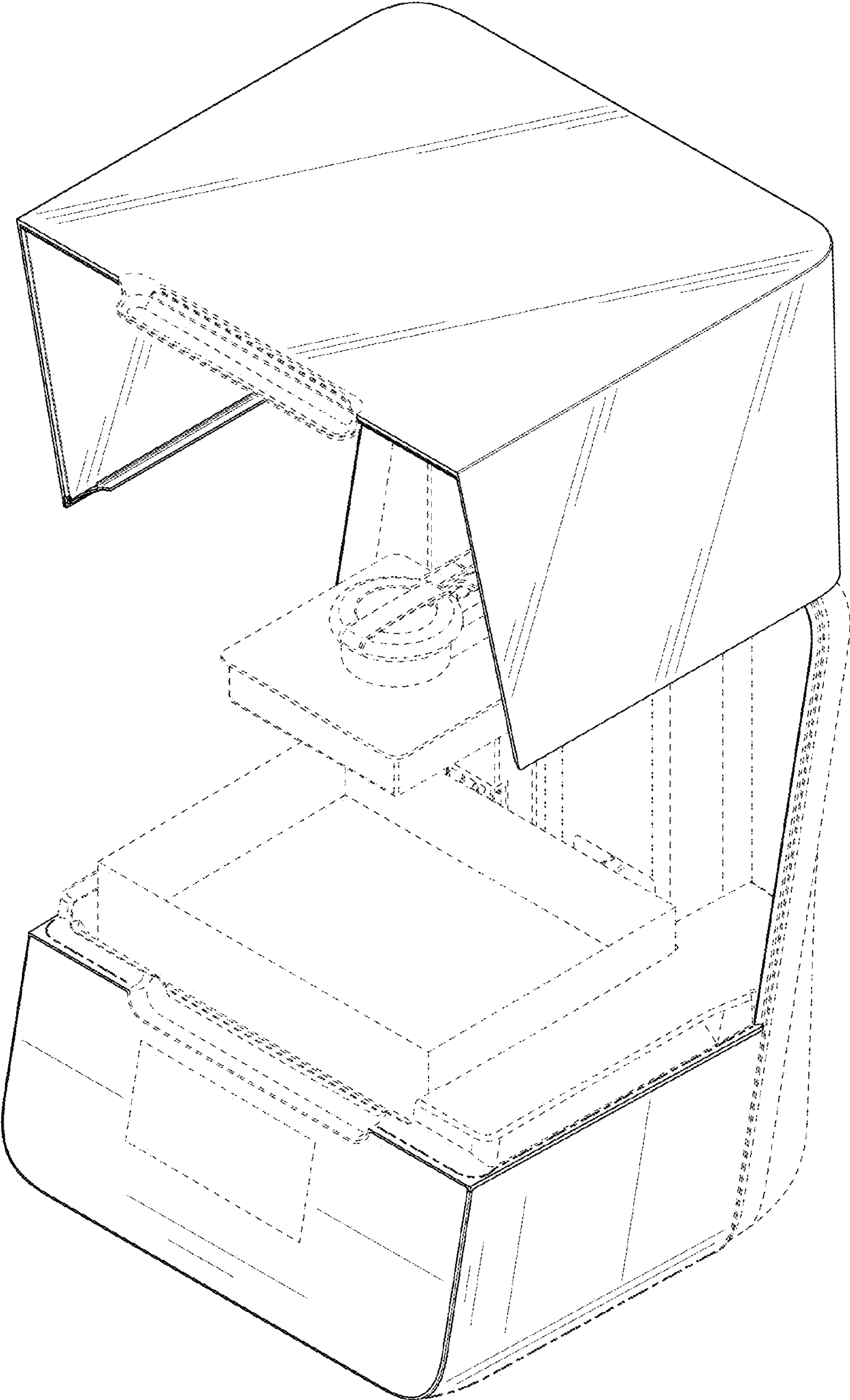


FIG. 1

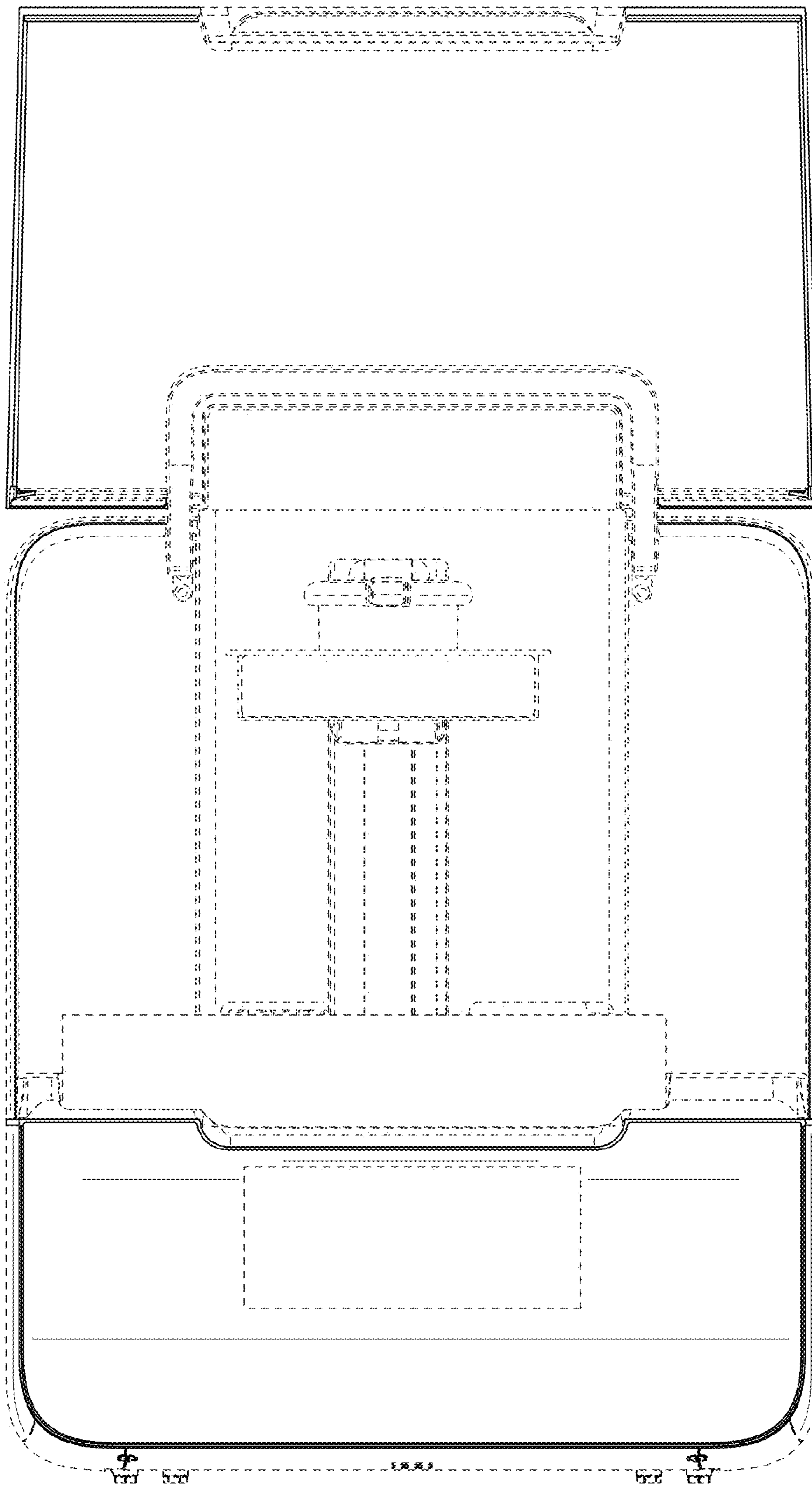


FIG. 2

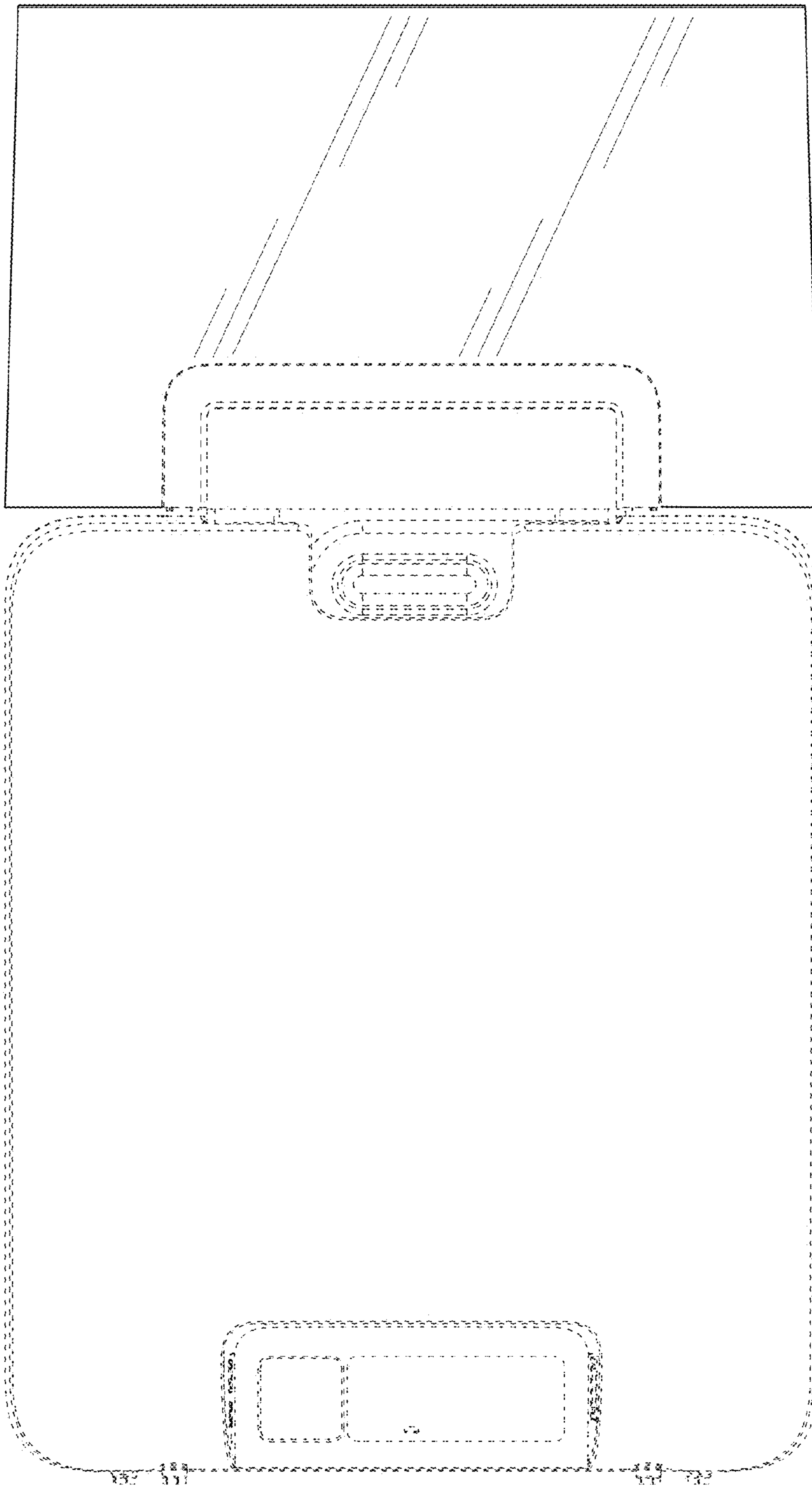


FIG. 3

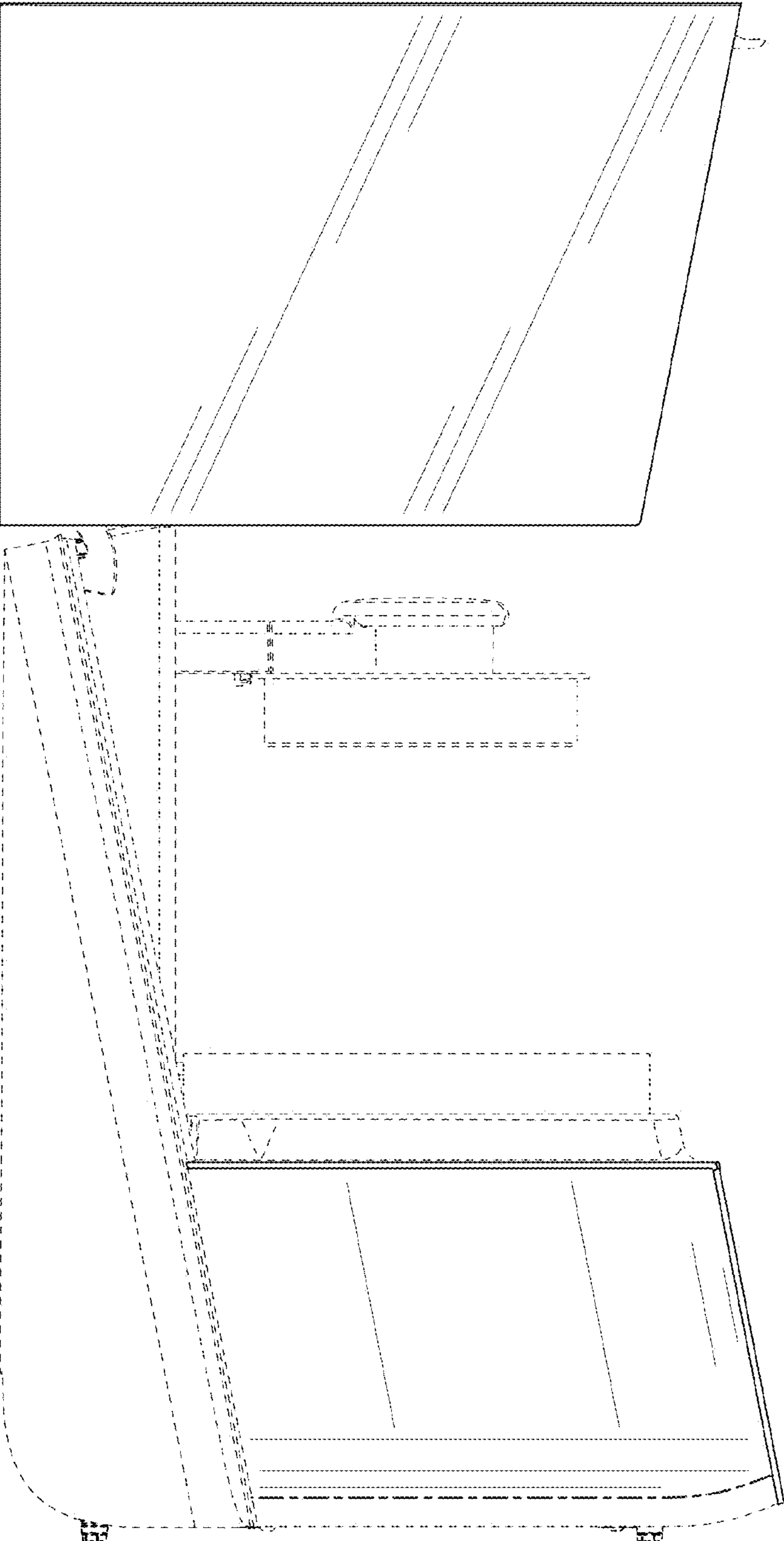


FIG. 4

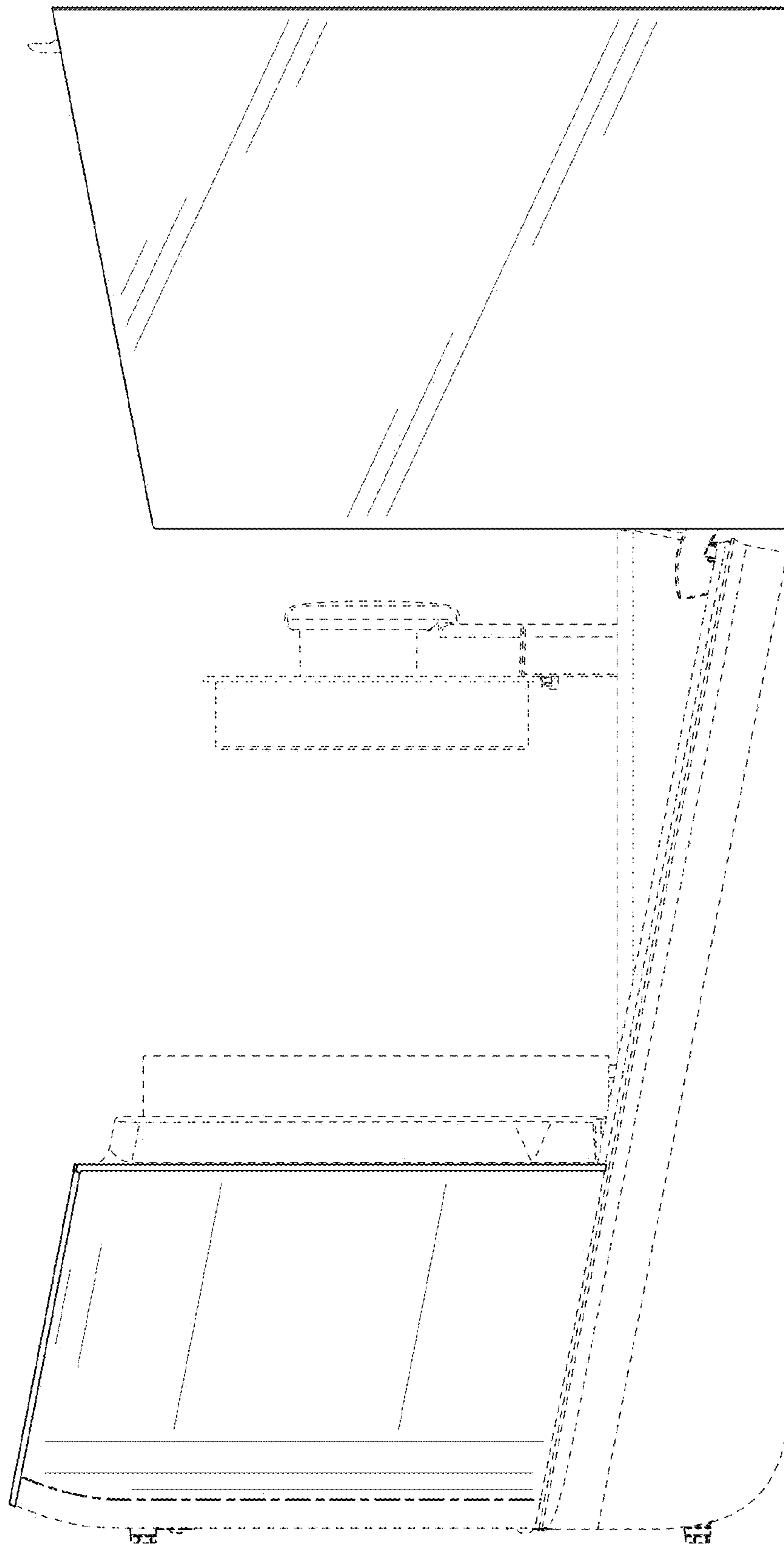


FIG. 5

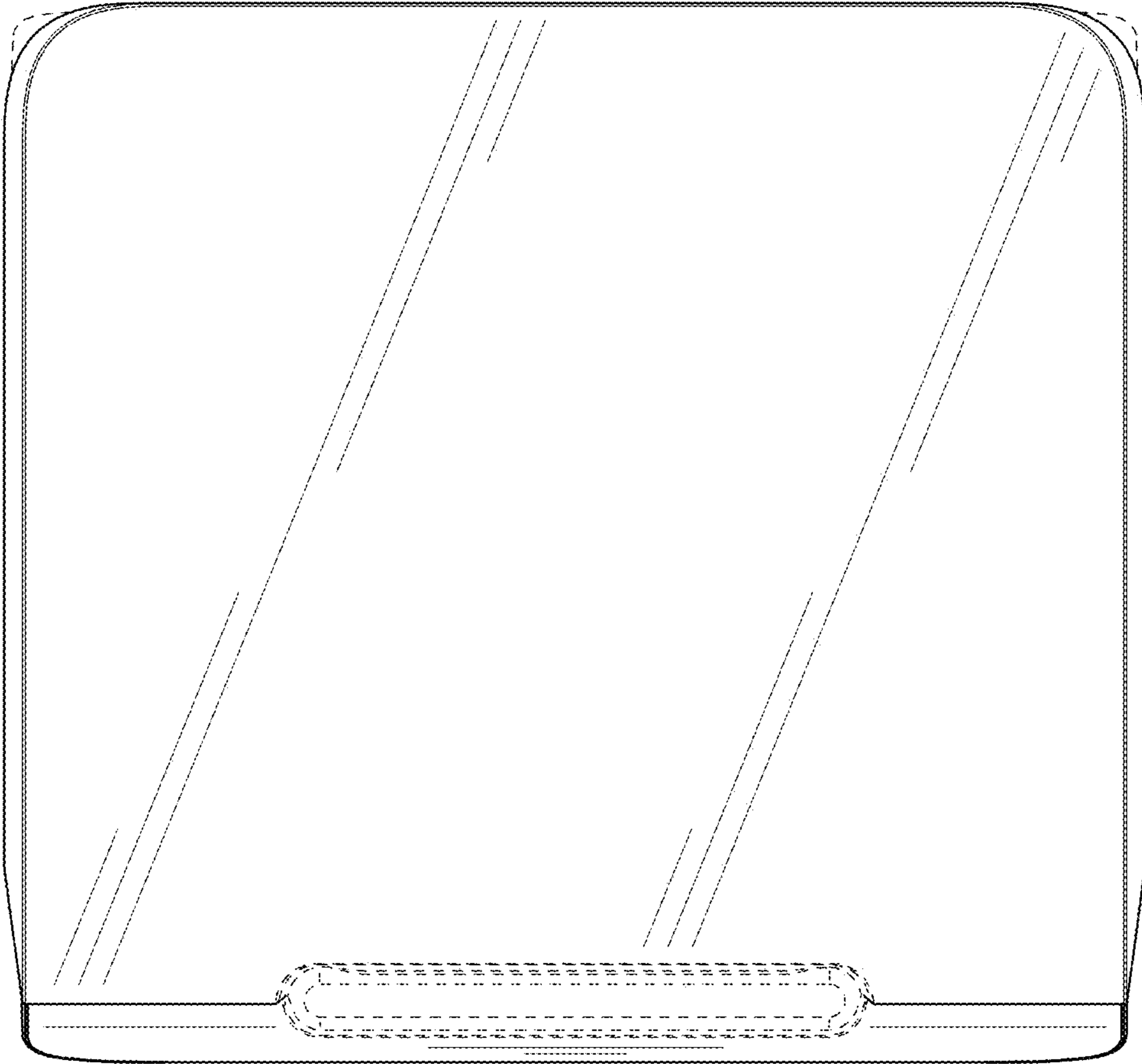


FIG. 6

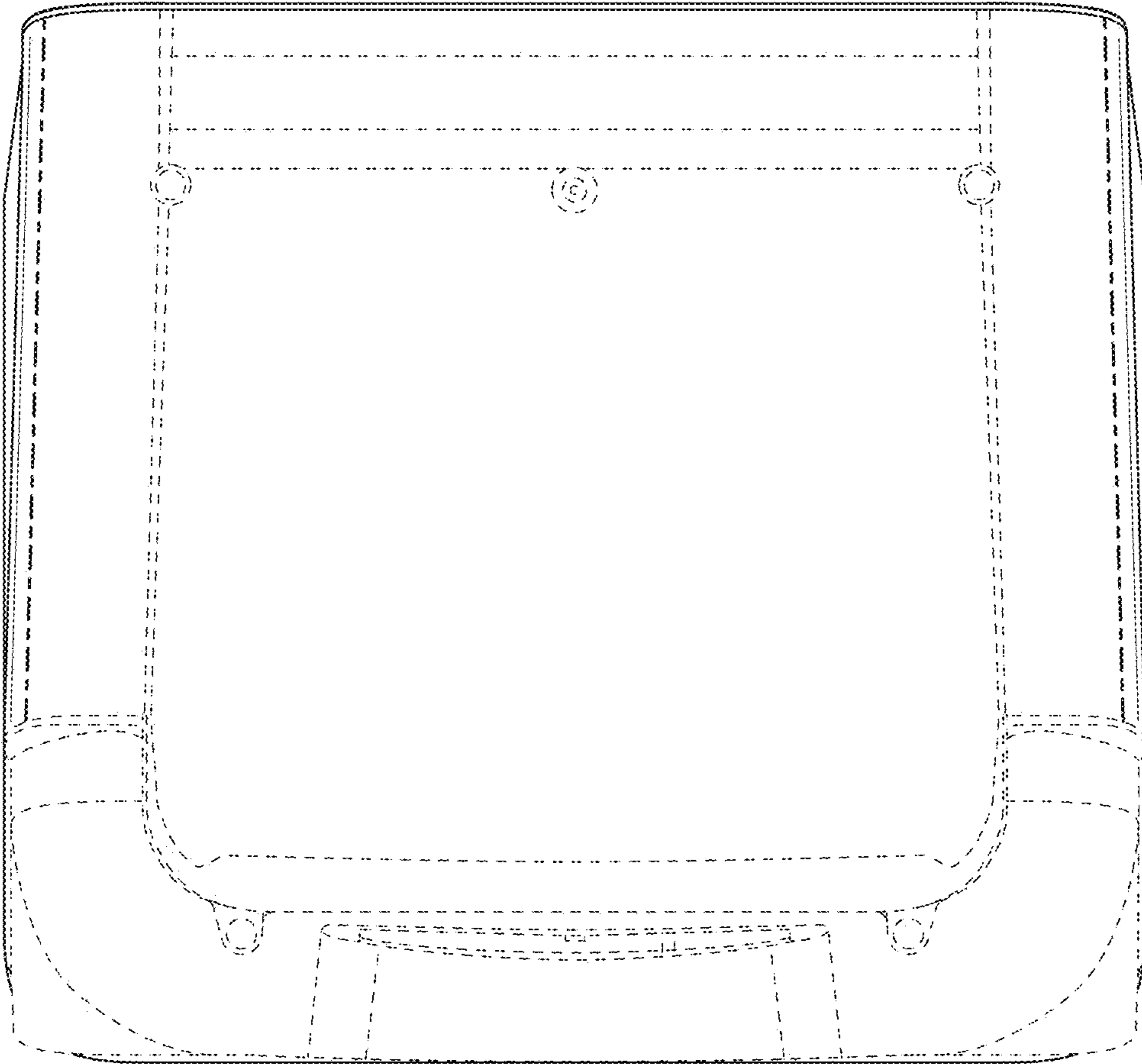


FIG. 7

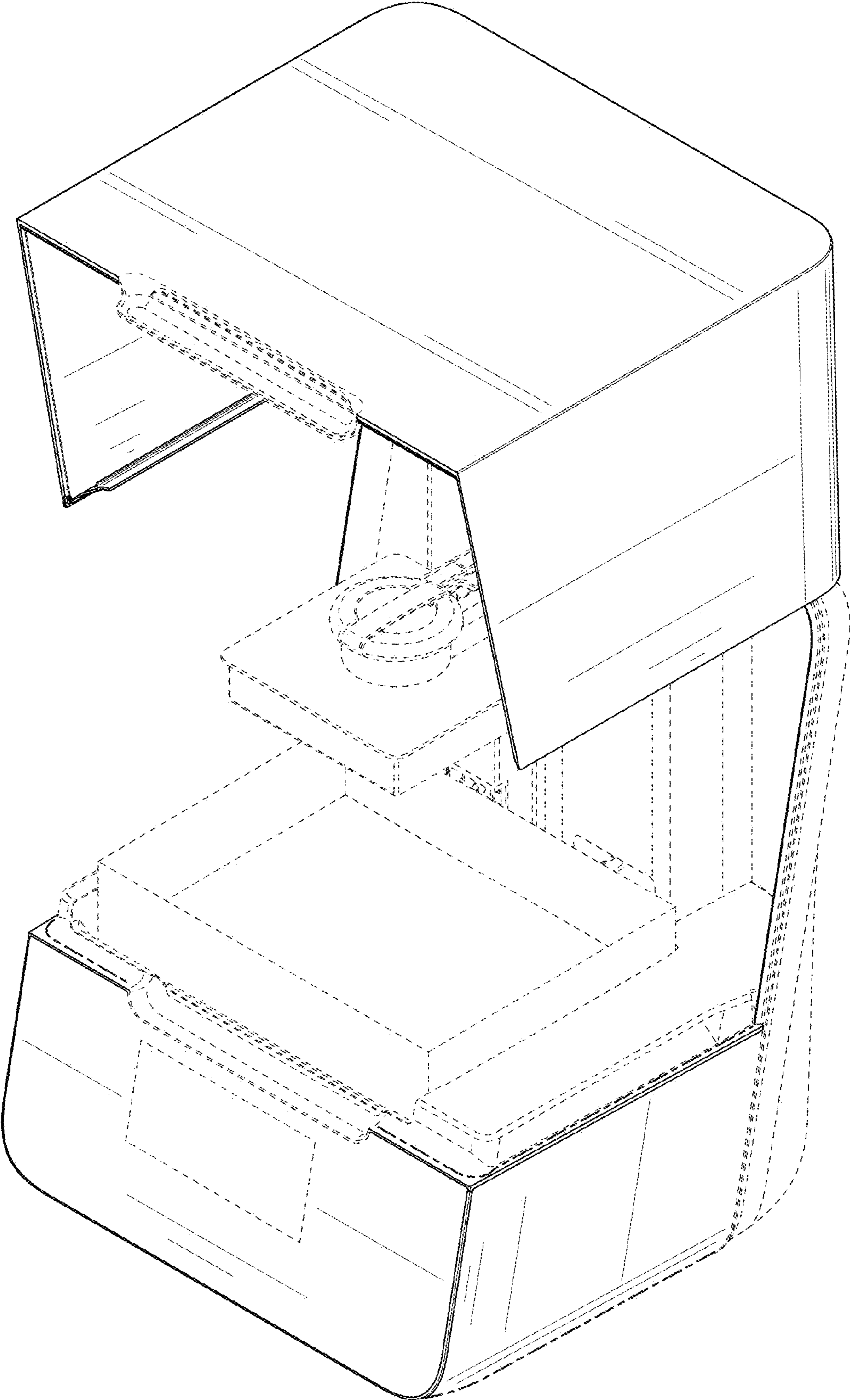


FIG. 8

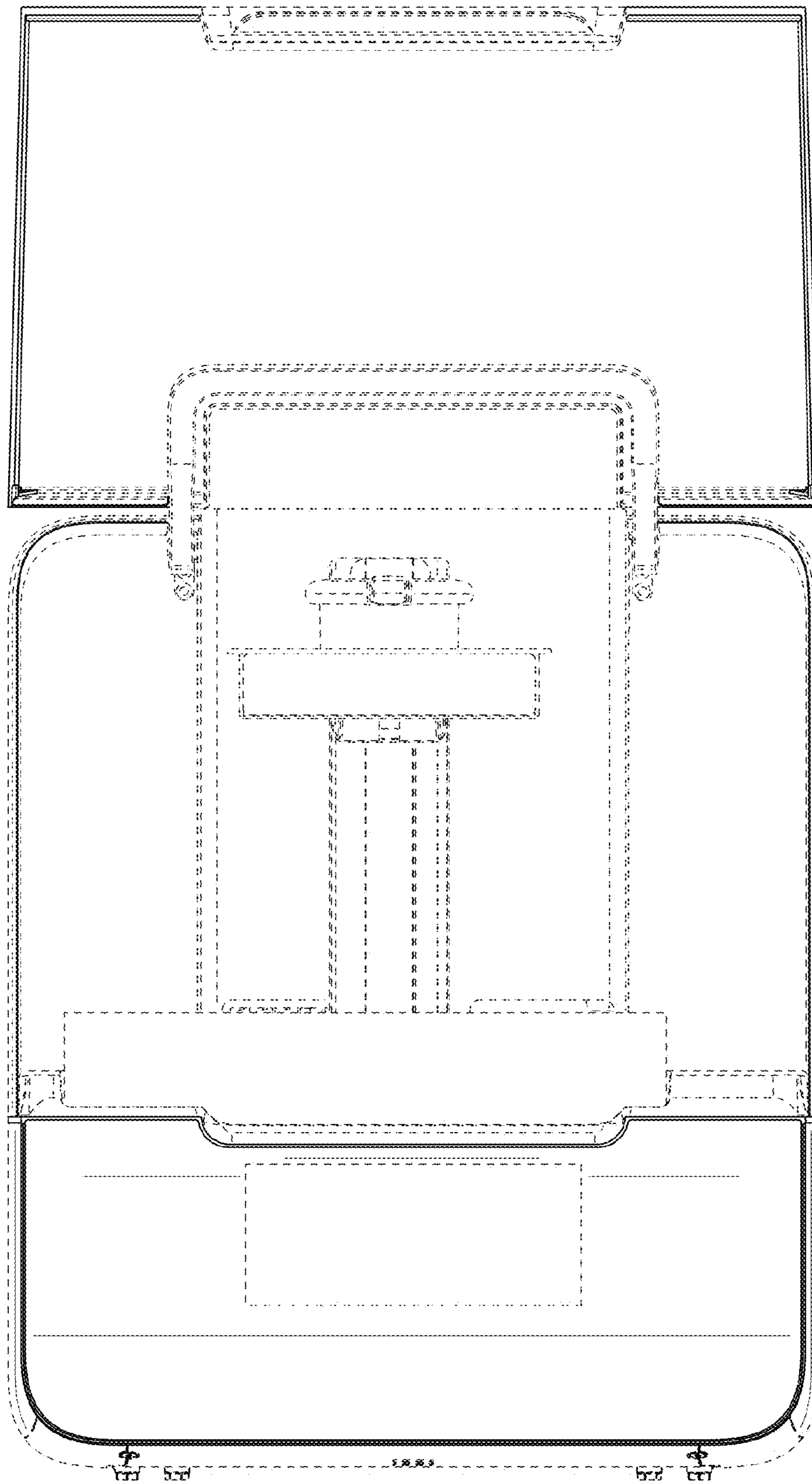


FIG. 9

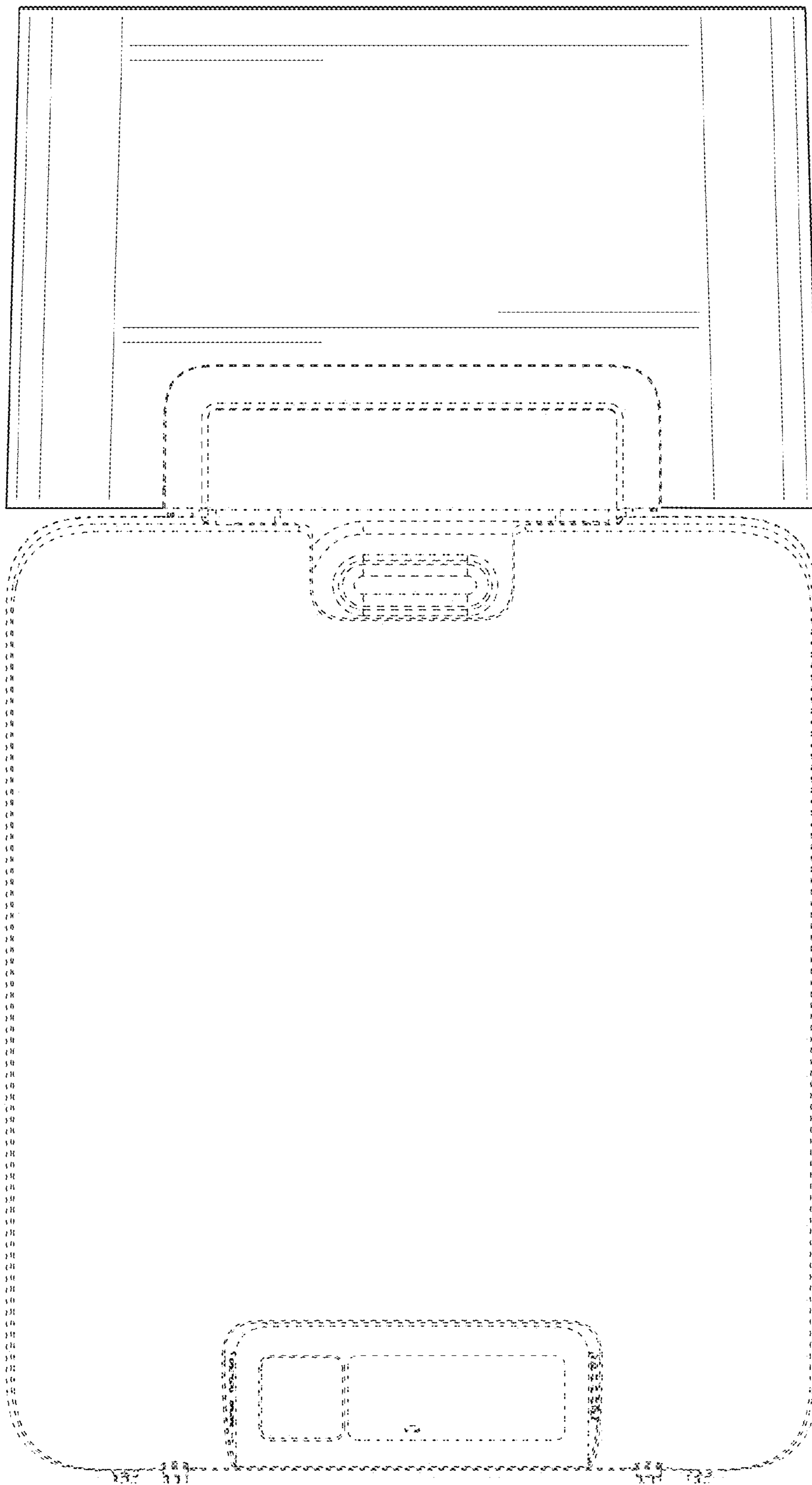


FIG. 10

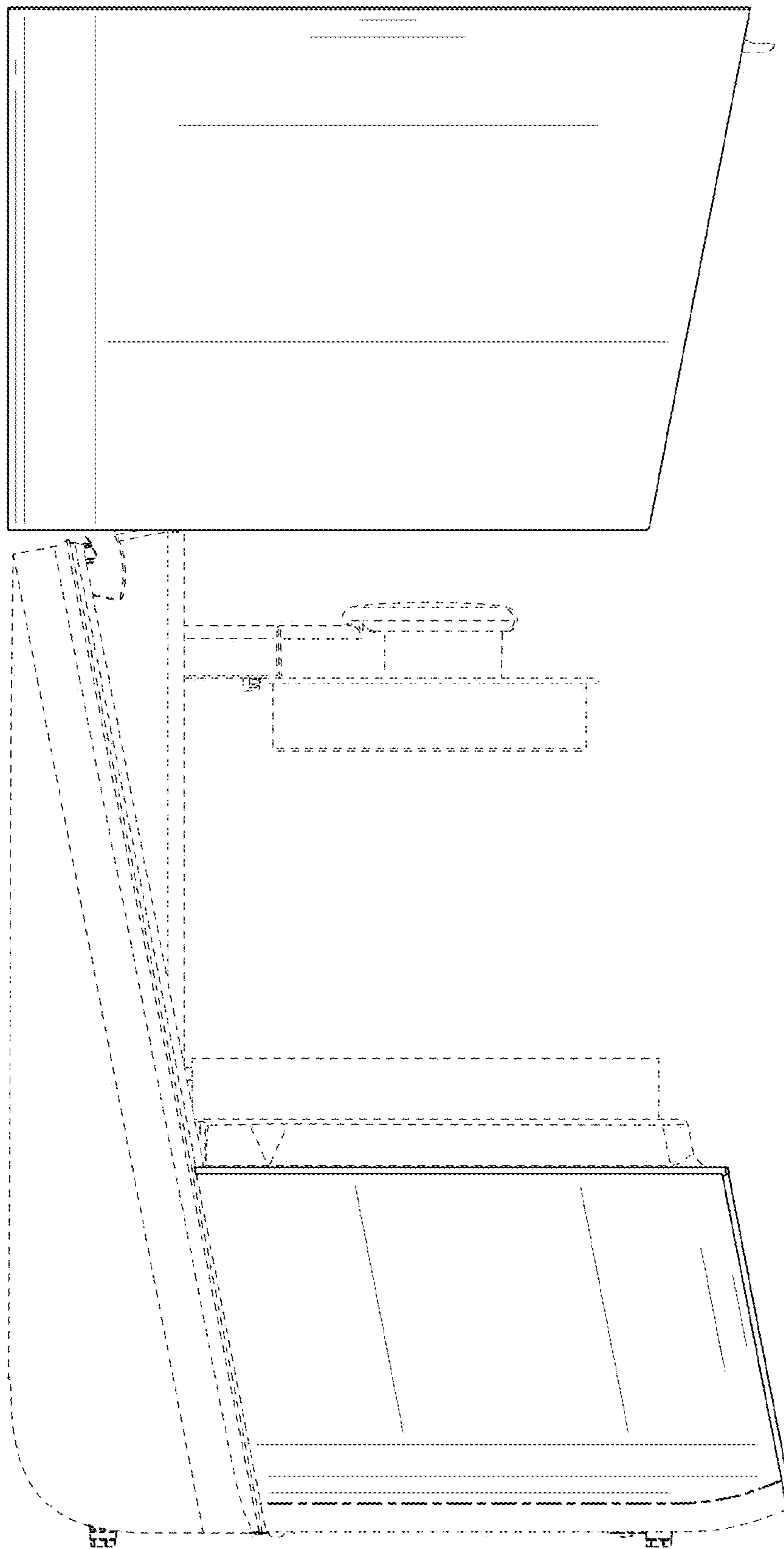


FIG. 11

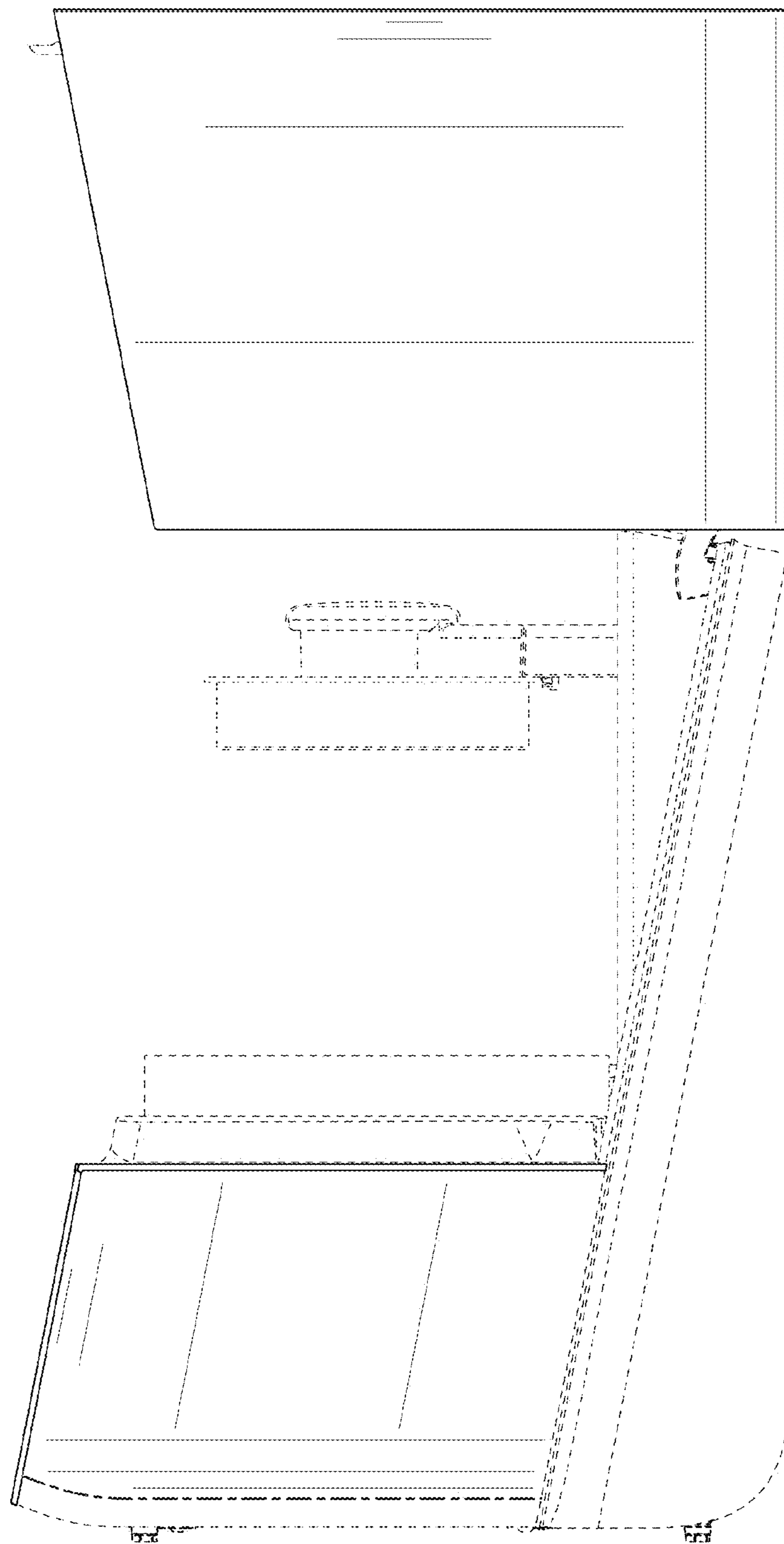


FIG. 12

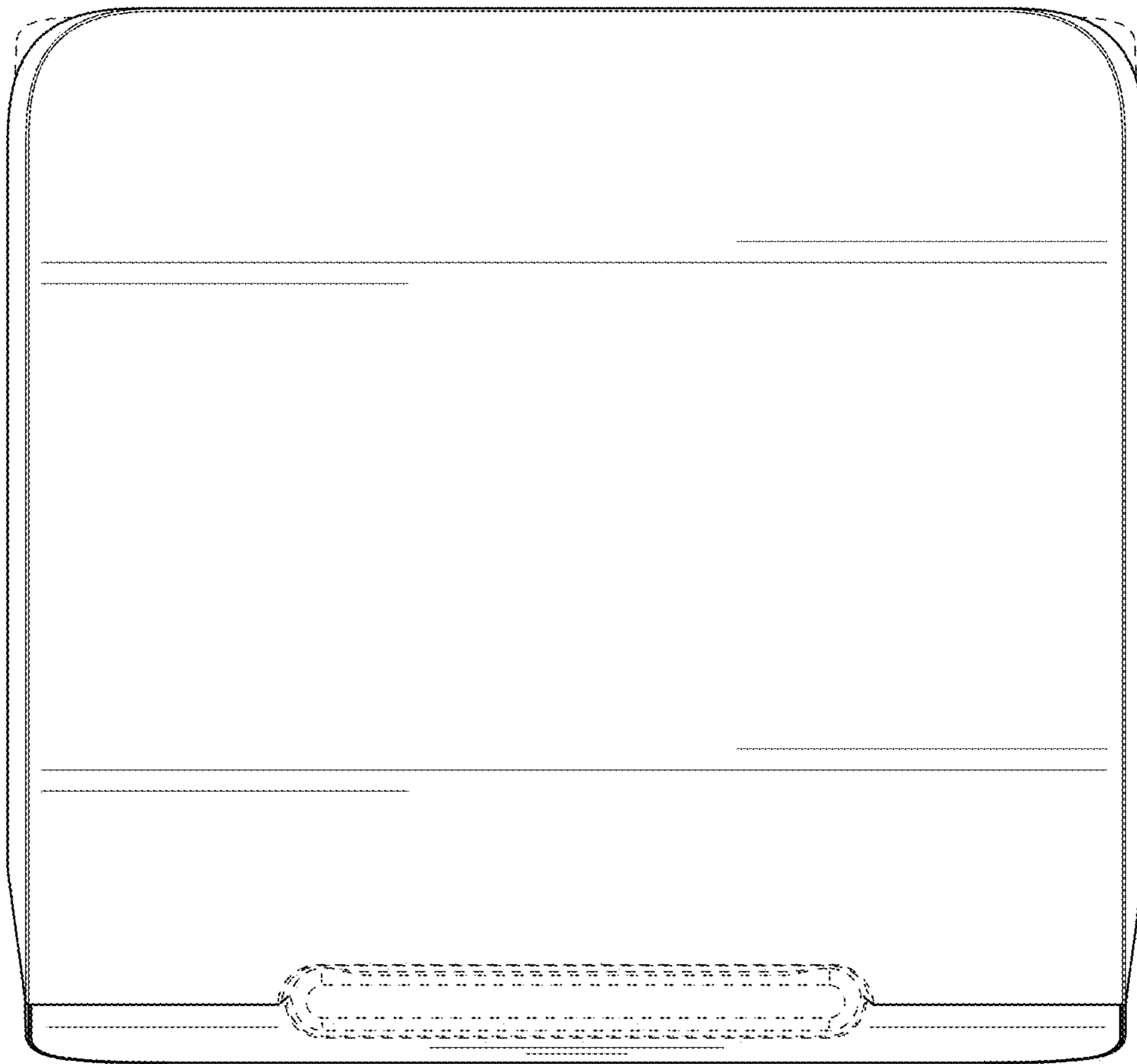


FIG. 13

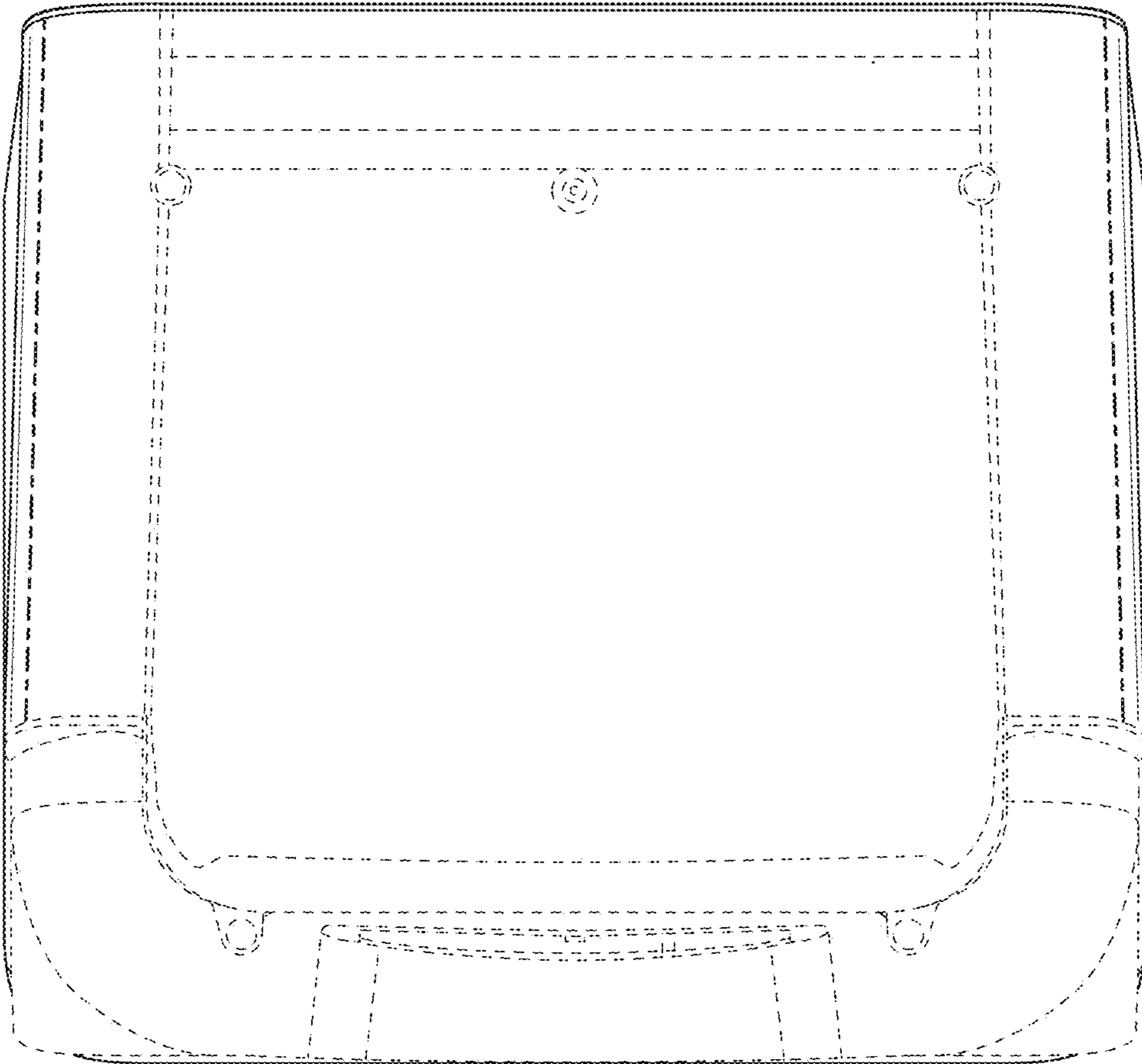


FIG. 14