



US00D906378S

(12) **United States Design Patent** (10) **Patent No.:** **US D906,378 S**  
**Fidler** (45) **Date of Patent:** **\*\* Dec. 29, 2020**

(54) **REFRIGERATOR HANDLE AND LOCK**

(71) Applicant: **Furrion Property Holding Limited,**  
Hong Kong (HK)

(72) Inventor: **Matthew David Fidler,** Hong Kong  
(HK)

(73) Assignee: **Furrion Property Holding Limited,**  
Hong Kong (HK)

(\*\*) Term: **15 Years**

(21) Appl. No.: **29/643,861**

(22) Filed: **Apr. 12, 2018**

(51) **LOC (12) Cl.** ..... **15-07**

(52) **U.S. Cl.**  
USPC ..... **D15/89**

(58) **Field of Classification Search**  
USPC ..... D15/79-91; D8/323, 327, 328, 329  
CPC .... F25D 23/04; F25D 27/005; F25D 2201/10;  
F25D 2303/08222; F25D 2303/0843;  
F25D 2303/085; F25D 2317/04131; F25D  
2323/023; F25D 23/02; F25D 23/025;  
F25D 23/028; F25D 23/065; F25D  
2400/361; F25D 2500/02; F25D 2500/06;  
F25D 25/025; F25D 2700/04; F25D  
27/00; F25D 29/00

See application file for complete search history.

(56) **References Cited**

**U.S. PATENT DOCUMENTS**

D467,596 S	12/2002	Kim et al.
D501,489 S	2/2005	Seo et al.
D501,663 S	2/2005	Yu et al.
D562,361 S	2/2008	Kwak
D568,910 S	5/2008	Seo et al.
D587,730 S	3/2009	Yang et al.
D588,172 S	3/2009	Yang
D610,173 S	2/2010	Kim

D622,576 S *	8/2010	Farkas	.....	D8/328
D629,023 S	12/2010	Jeon et al.		
D635,433 S *	4/2011	Le	.....	D8/327
D648,359 S	11/2011	Yu et al.		
D649,008 S *	11/2011	Caffin	.....	D8/323
D674,415 S	1/2013	Lee et al.		
D703,245 S	4/2014	Seo et al.		
D707,268 S	6/2014	Yong et al.		

(Continued)

**OTHER PUBLICATIONS**

“Refrigerator Handle and Lock” Design U.S. Appl. No. 29/643,885, filed Apr. 12, 2018 under the applicant Furrion Property Holding Limited, 20 pages.

(Continued)

*Primary Examiner* — Khawaja Anwar

(74) *Attorney, Agent, or Firm* — Faegre Drinker Biddle & Reath LLP

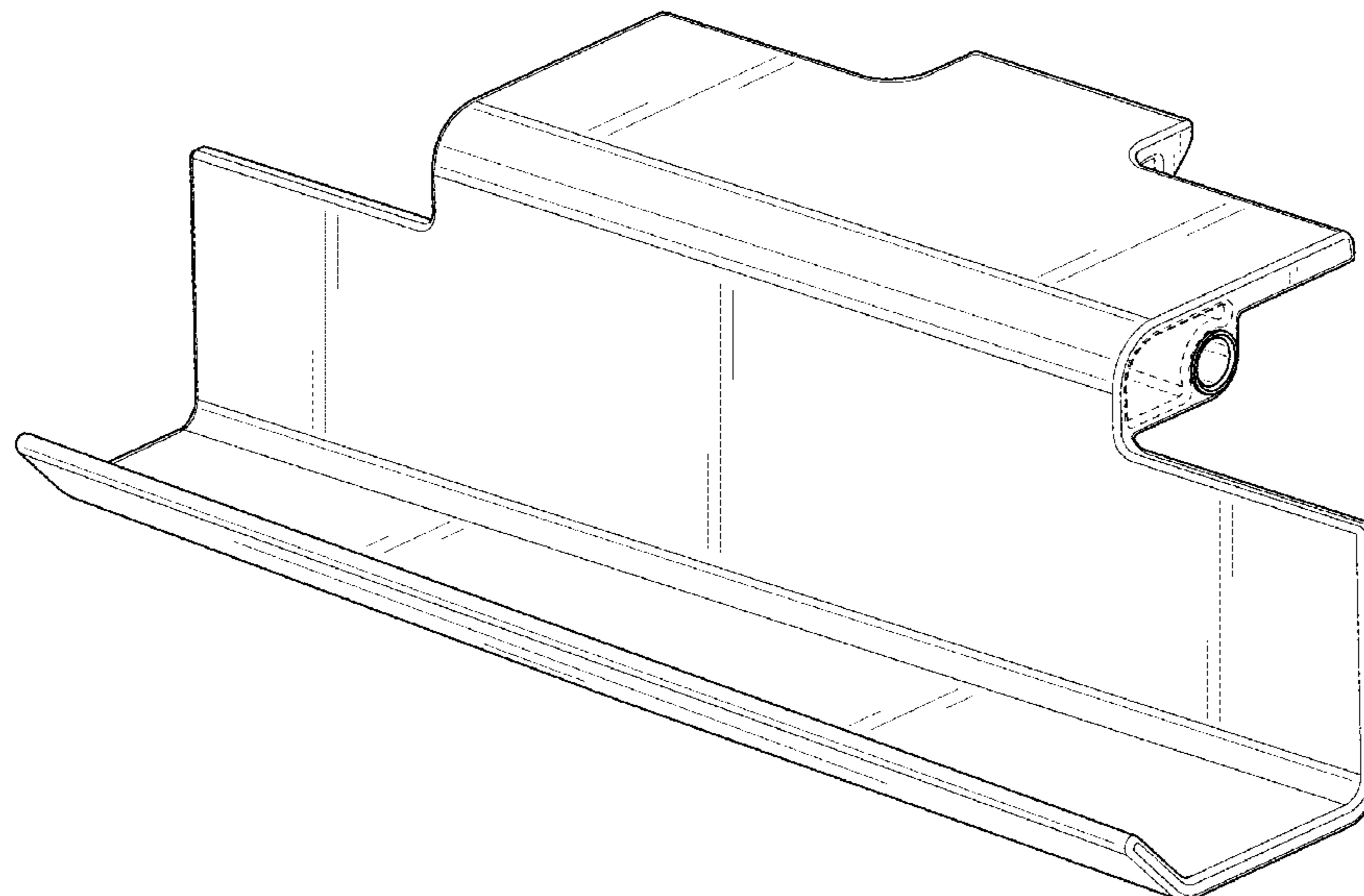
(57) **CLAIM**

The ornamental design for a refrigerator handle and lock, as shown and described.

**DESCRIPTION**

FIG. 1 is a front perspective view of a refrigerator handle and lock illustrating my new design; FIG. 2 is a front view thereof; FIG. 3 is a rear view thereof; FIG. 4 is a left side view thereof; FIG. 5 is a right side view thereof; FIG. 6 is a top view thereof; FIG. 7 is a bottom view thereof; and, FIG. 8 is a front perspective view of the refrigerator handle and lock coupled to an optional refrigerator. In FIGS. 1-7, broken lines illustrate features that form no part of the claimed design. In FIG. 8, broken lines illustrate an optional environment of a refrigerator that forms no part of the claimed design.

**1 Claim, 8 Drawing Sheets**



(56)

**References Cited**

U.S. PATENT DOCUMENTS

D709,533 S \* 7/2014 Park ..... D15/89  
 D709,534 S 7/2014 Park et al.  
 D711,937 S 8/2014 Boo et al.  
 D713,428 S 9/2014 Cho et al.  
 D714,356 S 9/2014 Heo et al.  
 D714,366 S 9/2014 Jeon et al.  
 D714,843 S \* 10/2014 Jeon ..... D15/89  
 D715,620 S \* 10/2014 Tung ..... D8/323  
 D726,525 S \* 4/2015 Kenerly ..... D8/328  
 D736,275 S \* 8/2015 Kim ..... D15/89  
 D742,435 S 11/2015 Kim et al.  
 D747,949 S \* 1/2016 Lindo ..... D8/323  
 D748,166 S 1/2016 Jeon et al.  
 D748,450 S \* 2/2016 Ganter ..... D8/323  
 D754,217 S 4/2016 Choi et al.  
 D754,760 S 4/2016 Seo et al.  
 D755,261 S 5/2016 Choi et al.  
 D756,427 S 5/2016 Ogg  
 D761,890 S 7/2016 Seo et al.  
 D778,965 S 2/2017 Kim et al.  
 D783,691 S 4/2017 Kim et al.  
 D787,573 S 5/2017 Kim et al.  
 D789,766 S \* 6/2017 Todd, Jr. .... D8/323

D794,093 S 8/2017 Yoon et al.  
 D806,144 S 12/2017 Kim et al.  
 D806,145 S 12/2017 Kim et al.  
 D826,689 S \* 8/2018 Wei ..... D8/323  
 D839,714 S \* 2/2019 Chai ..... D8/323  
 D859,127 S \* 9/2019 Todd, Jr. .... D8/323  
 2011/0308041 A1\* 12/2011 Le ..... E05D 3/022  
 16/248

OTHER PUBLICATIONS

“Refrigerator Light and Filter” Design U.S. Appl. No. 29/643,900, filed Apr. 12, 2018 under the applicant Furrion Property Holding Limited, 16 pages.  
 “Refrigerator” Design U.S. Appl. No. 29/643,855, filed Apr. 12, 2018 under the applicant Furrion Property Holding Limited, 15 pages.  
 “Refrigerator” Design U.S. Appl. No. 29/643,856, filed Apr. 12, 2018 under the applicant Furrion Property Holding Limited, 15 pages.  
 “Refrigerator” Design U.S. Appl. No. 29/643,858, filed Apr. 12, 2018 under the applicant Furrion Property Holding Limited, 15 pages.

\* cited by examiner

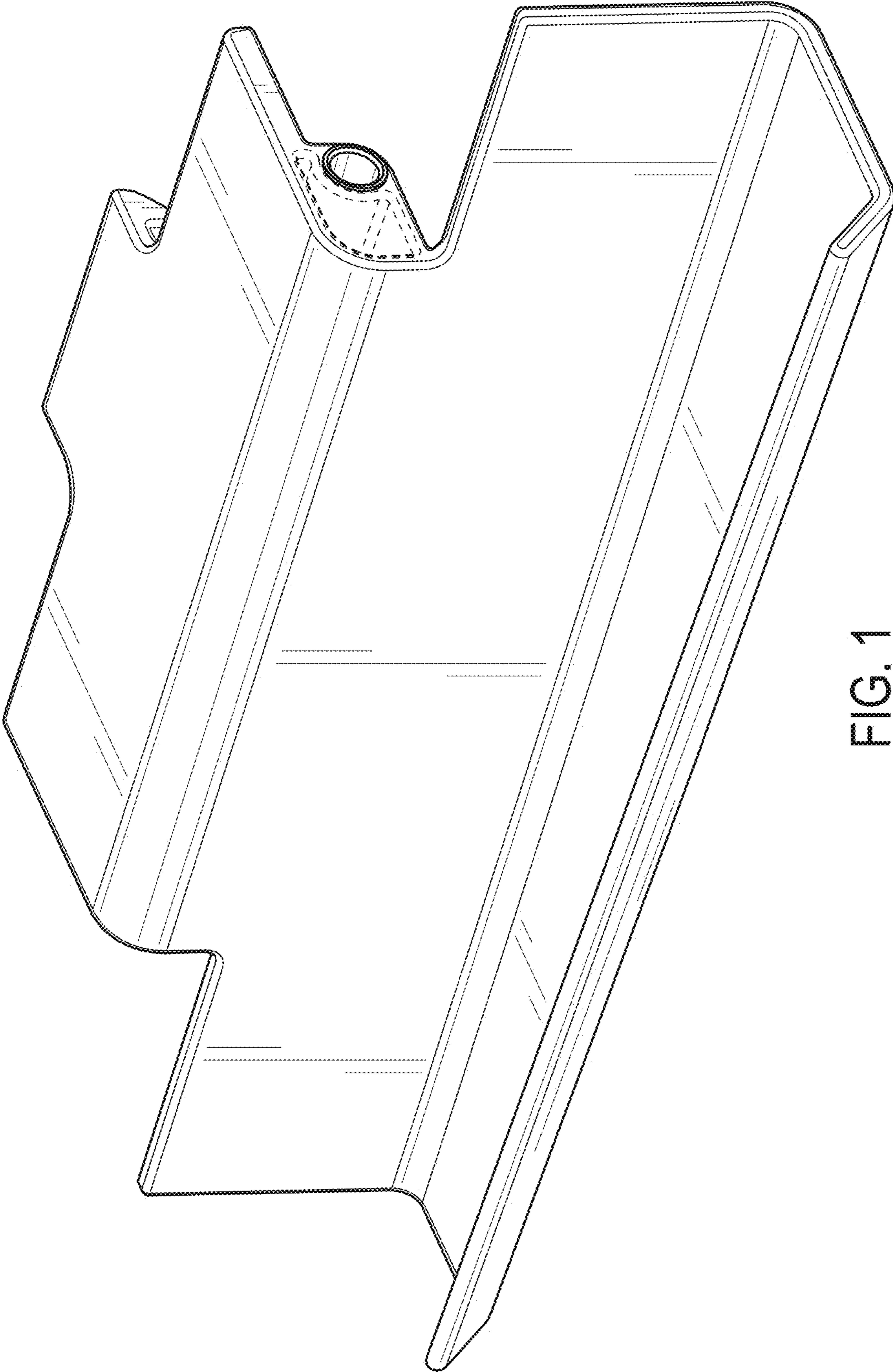


FIG. 1

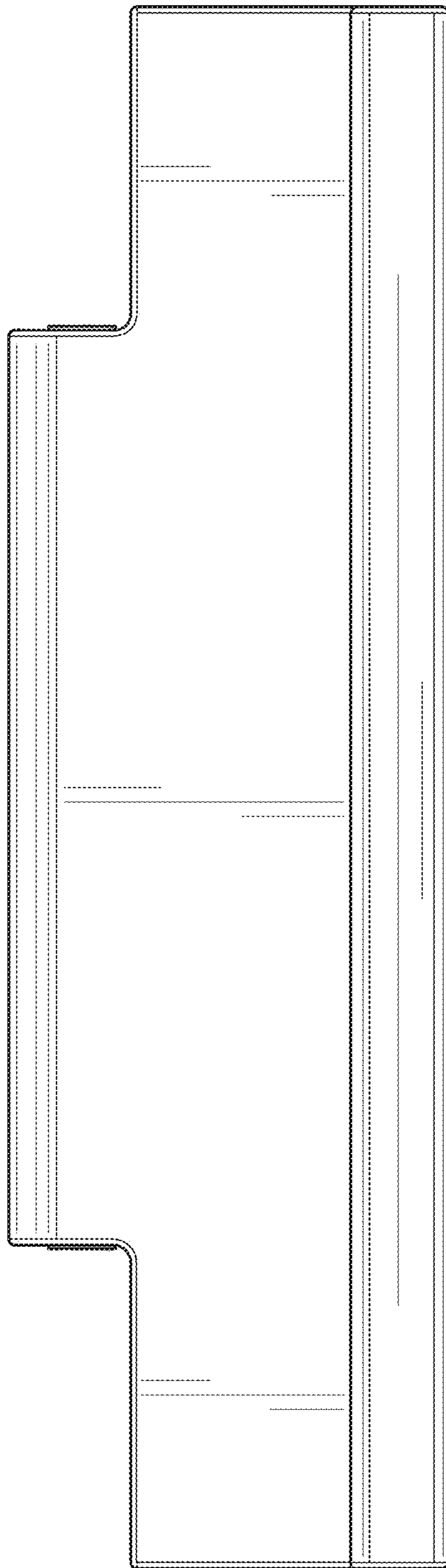


FIG. 2



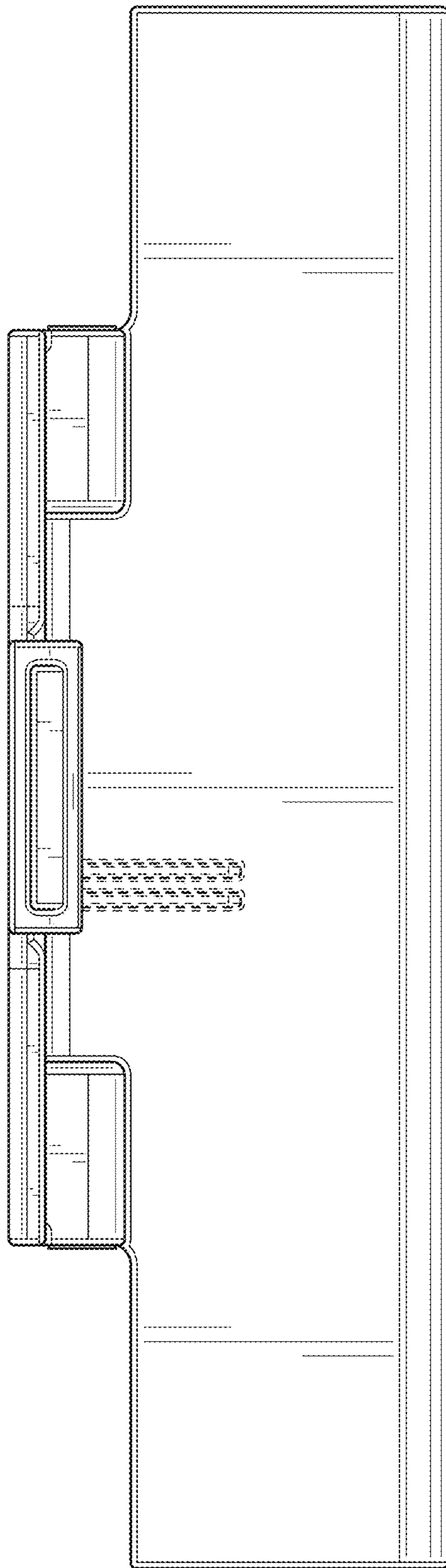


FIG. 3

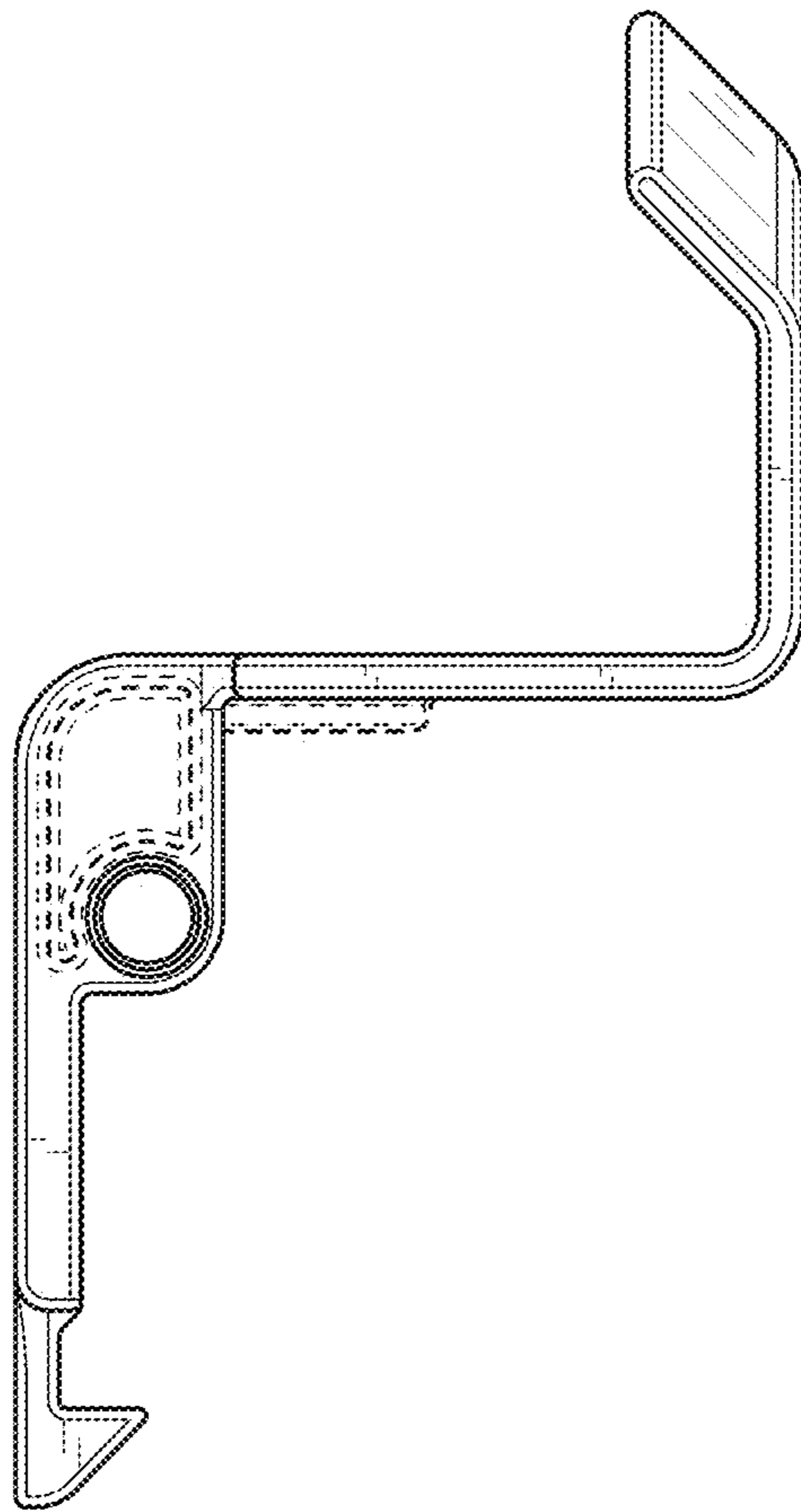


FIG. 4

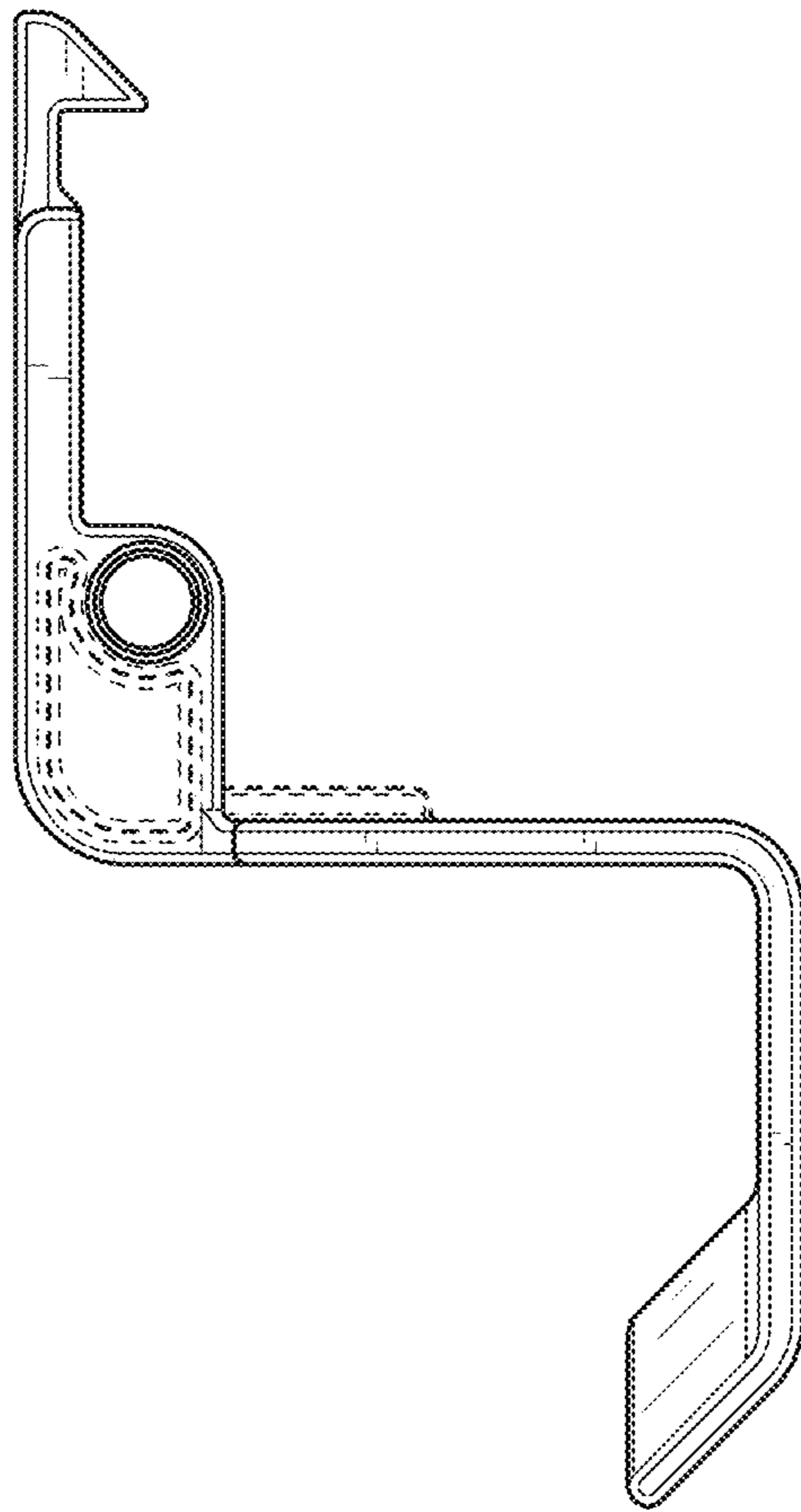


FIG. 5

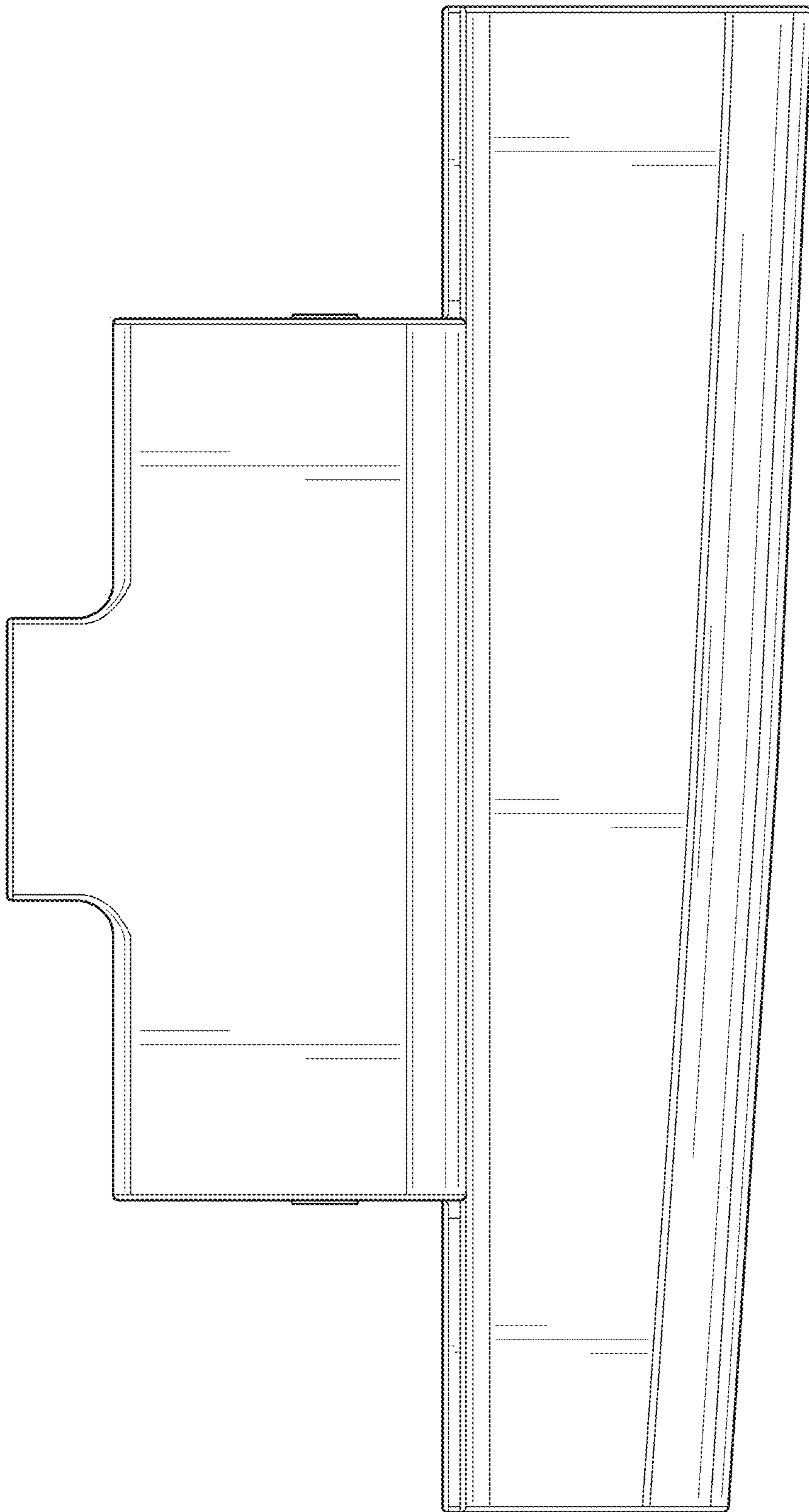


FIG. 6



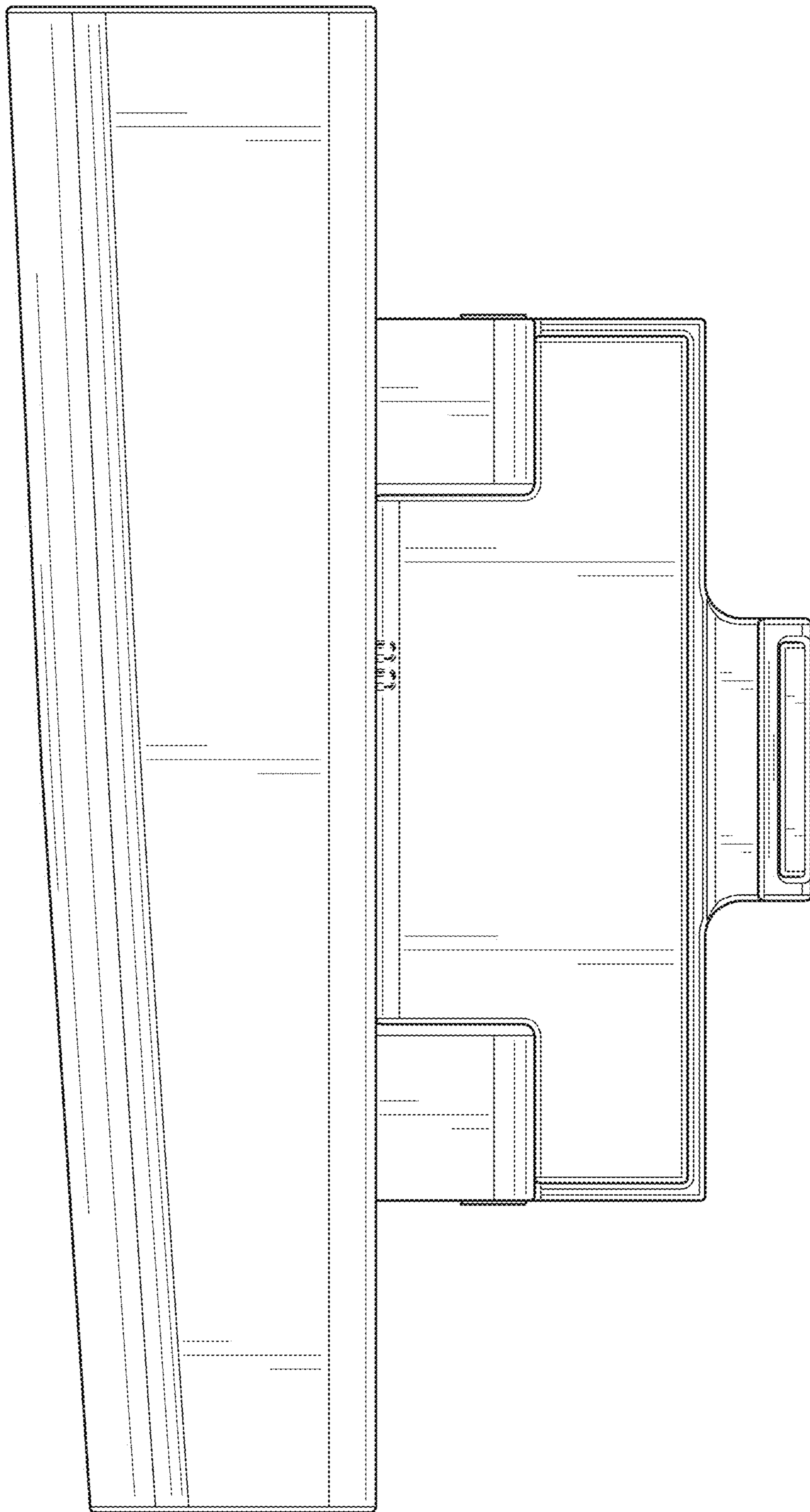


FIG. 7

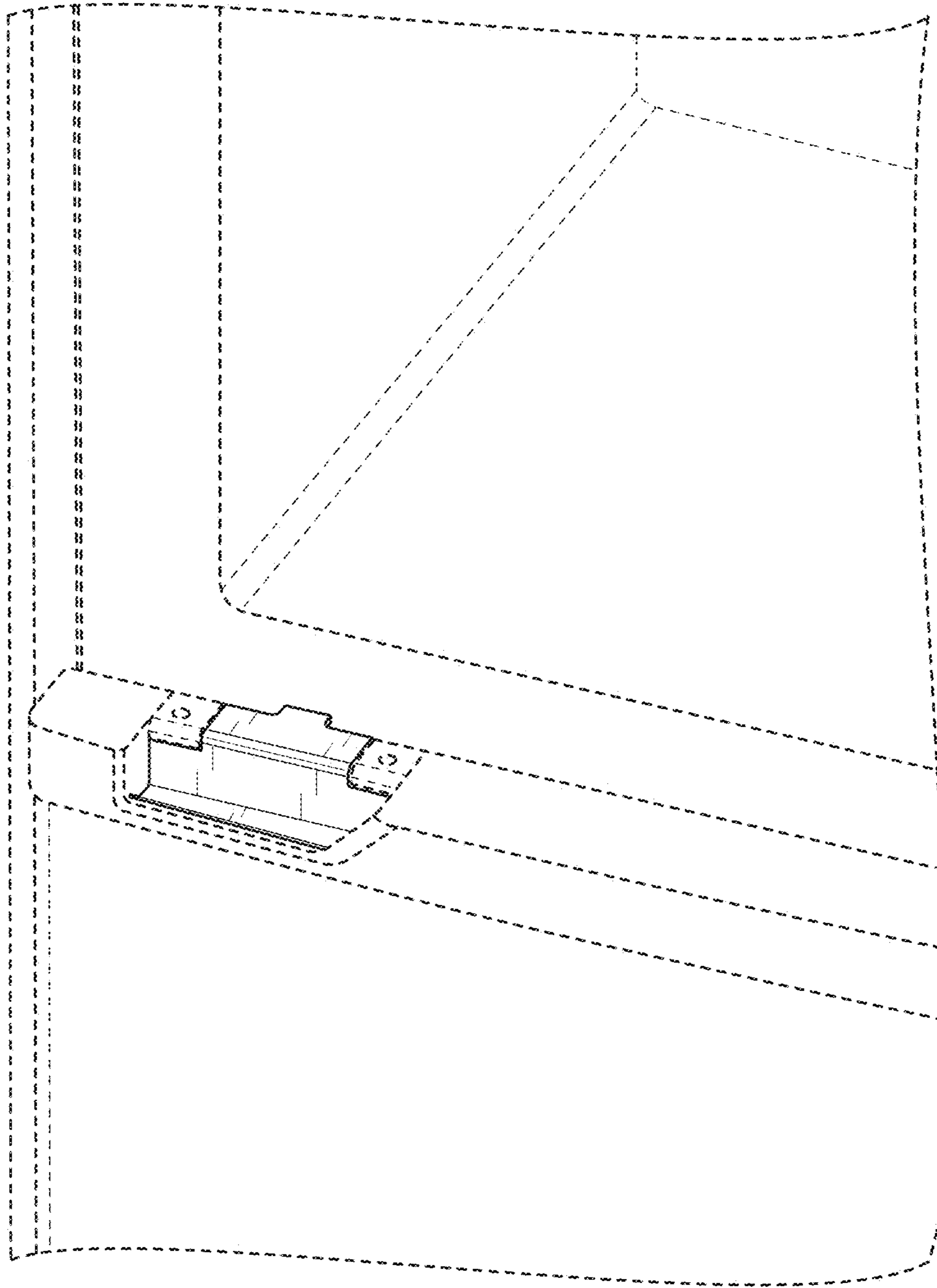


FIG. 8