



US00D906377S

(12) **United States Design Patent** (10) **Patent No.:** **US D906,377 S**
Tang (45) **Date of Patent:** **** Dec. 29, 2020**

(54) **PORTABLE REFRIGERATOR**
(71) Applicant: **ACOSOLAR INC.**, Walnut, CA (US)
(72) Inventor: **Longhua Tang**, Walnut, CA (US)
(**) Term: **15 Years**
(21) Appl. No.: **29/743,943**
(22) Filed: **Jul. 24, 2020**

D667,697 S * 9/2012 Shah D7/605
D673,815 S 1/2013 Inskeep
D750,140 S * 2/2016 Cross D15/81
D792,486 S * 7/2017 Li D15/81
D802,028 S 11/2017 Li
D802,029 S 11/2017 Li
D802,630 S * 11/2017 Li D15/81
D807,122 S 1/2018 Williamson
D815,922 S 4/2018 Moffett, III
D816,127 S * 4/2018 Trotter D15/81
(Continued)

Related U.S. Application Data

(63) Continuation-in-part of application No. 29/643,138, filed on Apr. 4, 2018.
(51) **LOC (12) Cl.** **15-07**
(52) **U.S. Cl.**
USPC **D15/79**
(58) **Field of Classification Search**
USPC D15/79-91; D7/603-608; D3/272-274
CPC F25D 17/02; F25D 11/003; F25D 19/003;
F25D 19/02; F25D 21/04; F25D 2201/14;
F25D 2331/803; F25D 2331/805; F25D
23/006; F25D 23/028; F25D 23/065;
F25D 23/066; F25D 23/085; F25D
2400/20; F25D 2400/28; F25D 2400/38;
F25D 2700/16; F25D 29/00; F25D
29/003; F25D 29/005; F25D 31/006;
F25D 31/007
See application file for complete search history.

References Cited

U.S. PATENT DOCUMENTS

D286,252 S 10/1986 Goodwin
D440,123 S 4/2001 Lin et al.
D497,783 S 11/2004 Krieger et al.
D499,612 S 12/2004 Smith, Sr.
D503,413 S * 3/2005 Diaz D15/83
D505,843 S 6/2005 Krieger et al.
D527,225 S 8/2006 Krieger et al.
D649,783 S * 12/2011 Brunner D3/279
D660,885 S * 5/2012 Crawford D15/83

OTHER PUBLICATIONS

E-Kooler 42 qt. Electric Portable Cooler Mini Fridge, Massimo, Found At: https://www.homedepot.com/p/Massimo-E-Kooler-42-qt-Electric-Portable-Cooler-Mini-Fridge-EKLR-CX40/311638139?MERCH=REC-_pipsem_-300160778_-311638139_-N, Found on Jul. 20, 2020.

(Continued)

Primary Examiner — Khawaja Anwar
(74) *Attorney, Agent, or Firm* — Tsz Lung Yeung

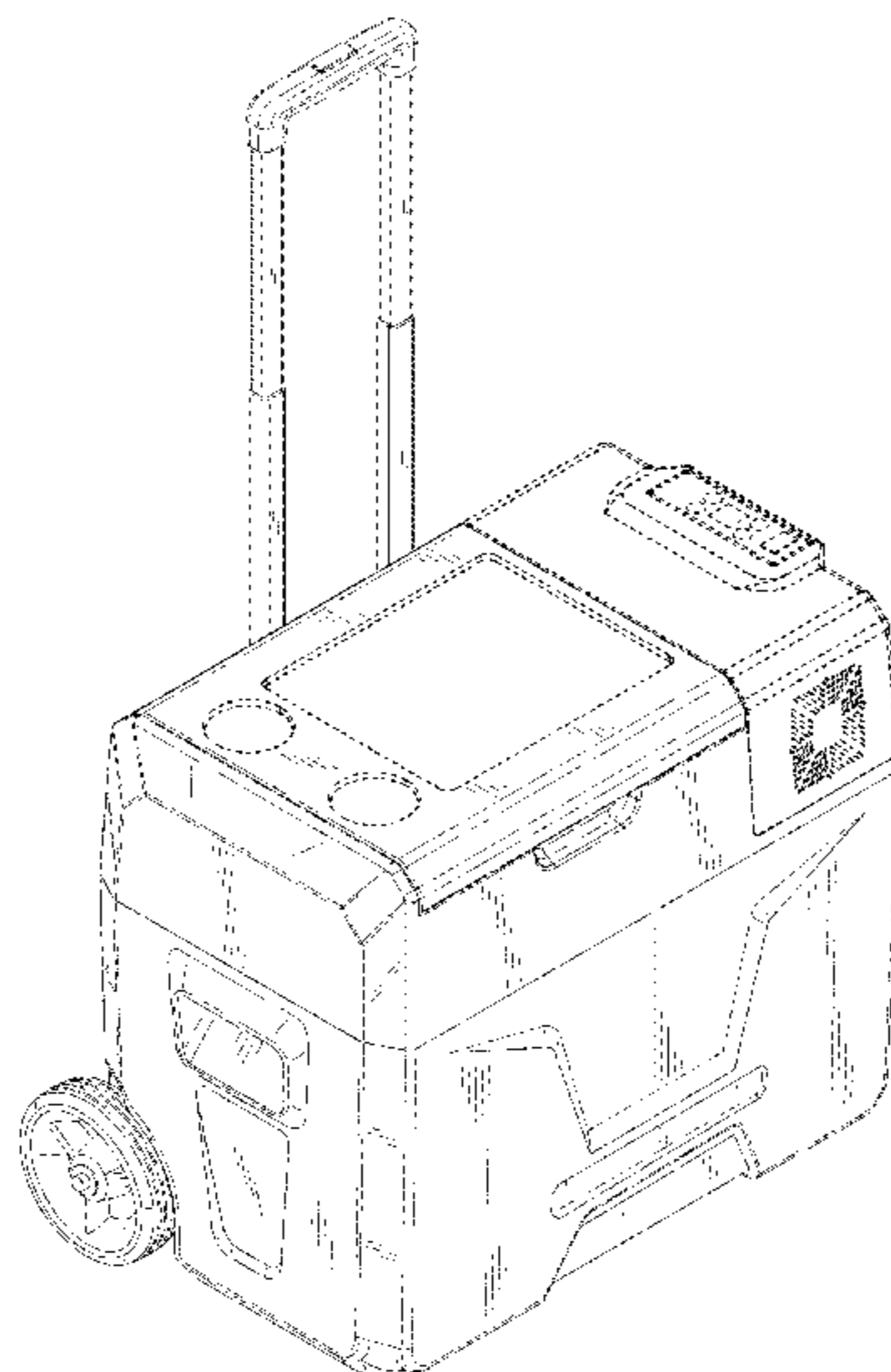
(57) **CLAIM**

The ornamental design for a portable refrigerator, as shown and described.

DESCRIPTION

FIG. 1 is a perspective view of a portable refrigerator showing my new design;
FIG. 2 is a front view thereof;
FIG. 3 is a rear view thereof;
FIG. 4 is a left side view thereof;
FIG. 5 is a right side view thereof;
FIG. 6 is a top view thereof;
FIG. 7 is a bottom view thereof; and,
FIG. 8 is a perspective view thereof, showing the handle in retracted position.
The broken lines depict portions of the portable refrigerator that form no part of the claimed design.

1 Claim, 8 Drawing Sheets



(56)

References Cited

U.S. PATENT DOCUMENTS

D828,408 S 9/2018 Huang
D830,429 S 10/2018 Brown et al.
D851,138 S 6/2019 Murobayashi et al.
D889,208 S * 7/2020 Ellison D7/605
2012/0294550 A1 * 11/2012 Hassman A45C 15/00
383/6
2014/0197059 A1 * 7/2014 Evans B25H 3/02
206/349
2015/0114024 A1 * 4/2015 Grepper B01F 7/0025
62/320
2015/0175338 A1 * 6/2015 Culp A45C 7/0077
220/592.24

OTHER PUBLICATIONS

Chill, GoSun, Found at: <https://gosun.co/products/chill>, Found on Jul. 20, 2020.

Engel MT35F-U1-P platinum series, Engel, Found At: <https://engelcoolers.com/products/35-platinum-portable-car-fridge>, Found on Jul. 20, 2020.

Outdoor Ice Box Portable Beer Can Drinking Cooler Box with Bluetooth speaker and USB charger, Wayyeacool Outdoor Co.,Ltd, Found At: <https://www.globalsources.com/Cooler-box/Product-1171629612p.htm#1171629612>, Found on Jul. 20, 2020.

* cited by examiner

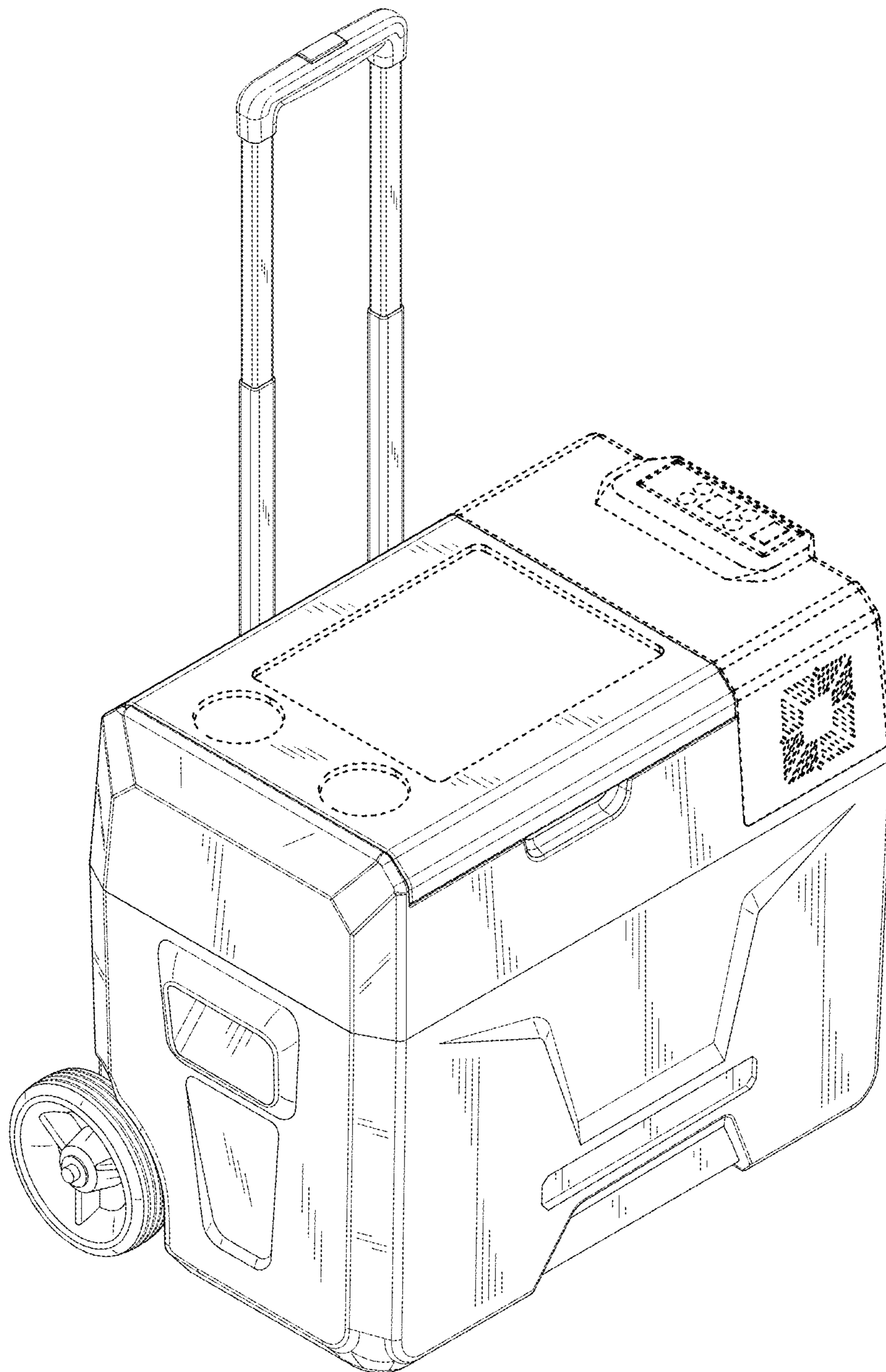


FIG. 1

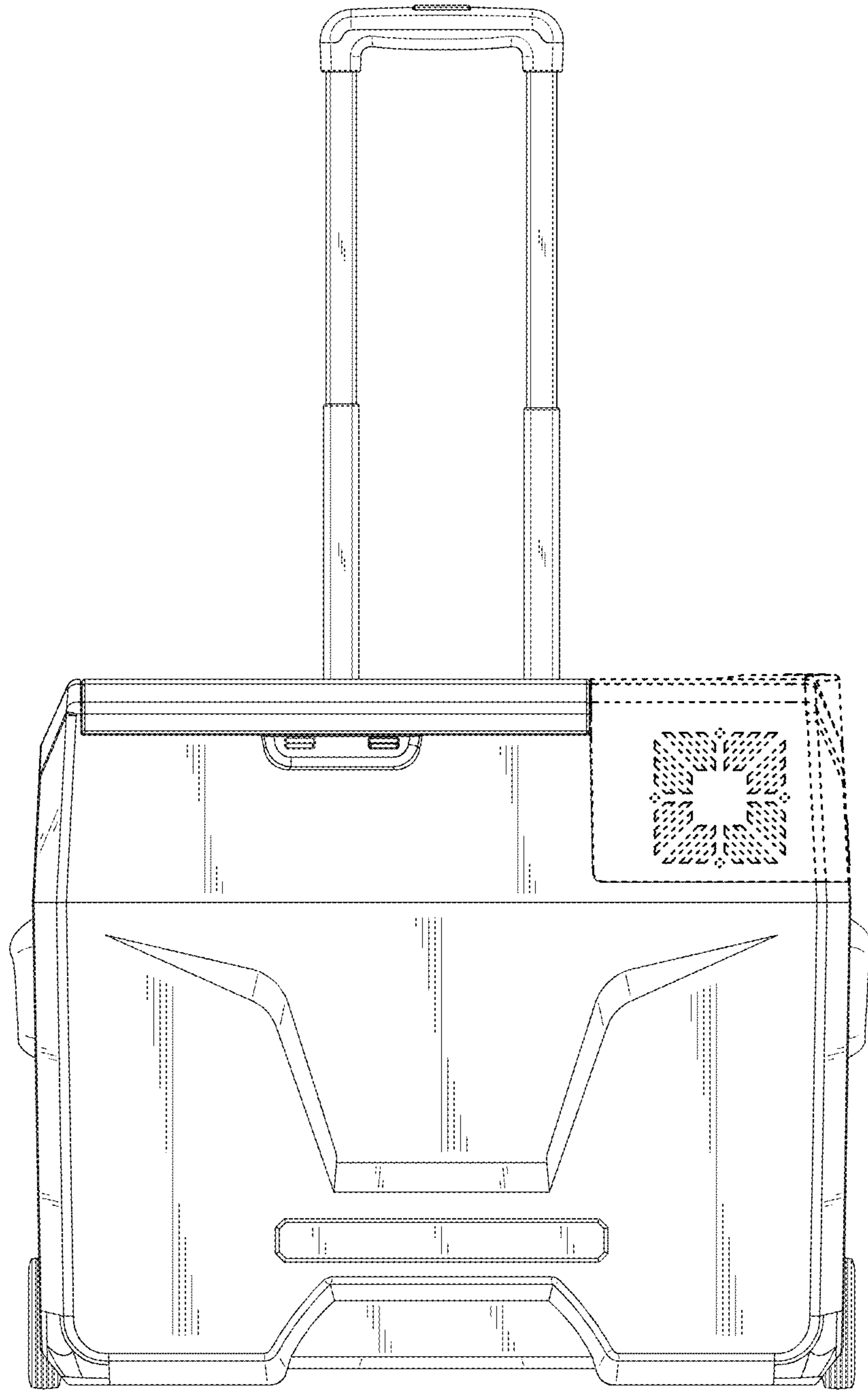


FIG. 2

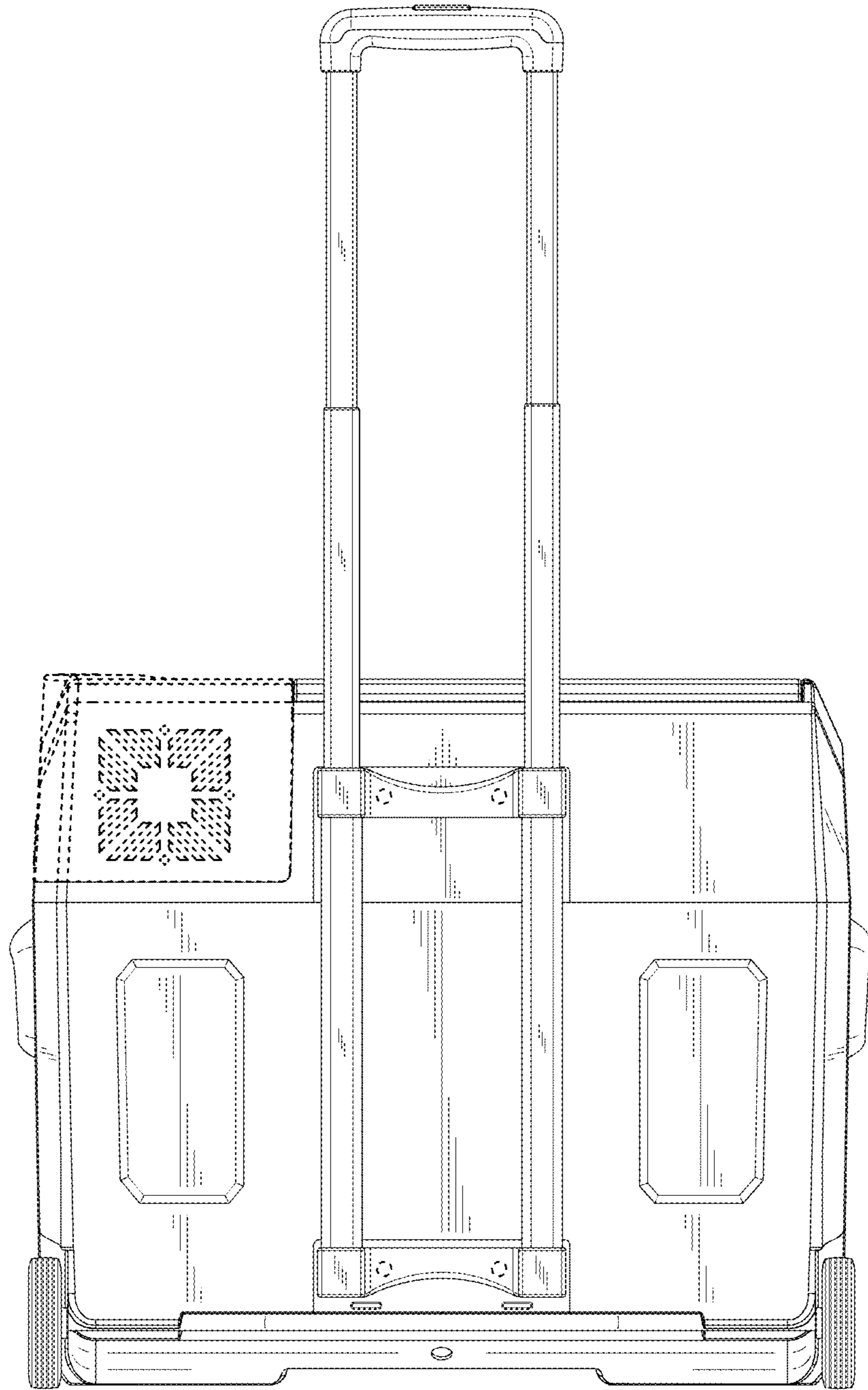


FIG. 3

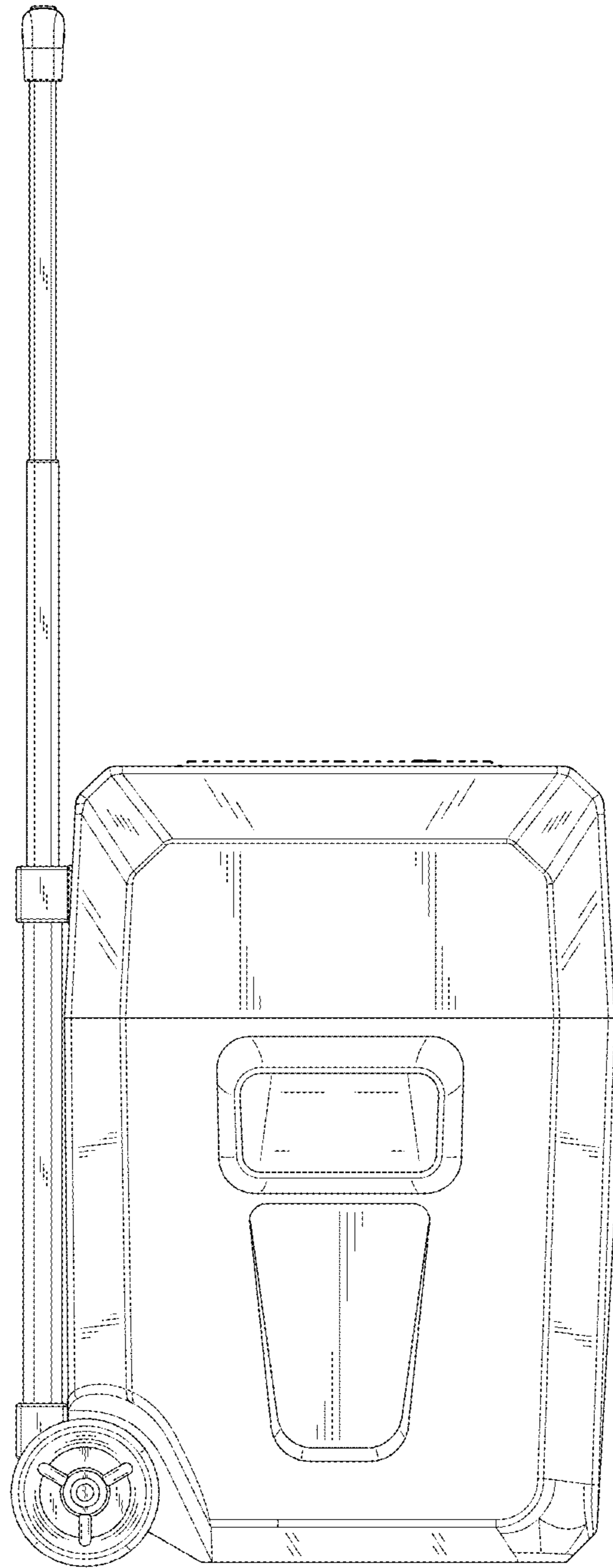


FIG. 4

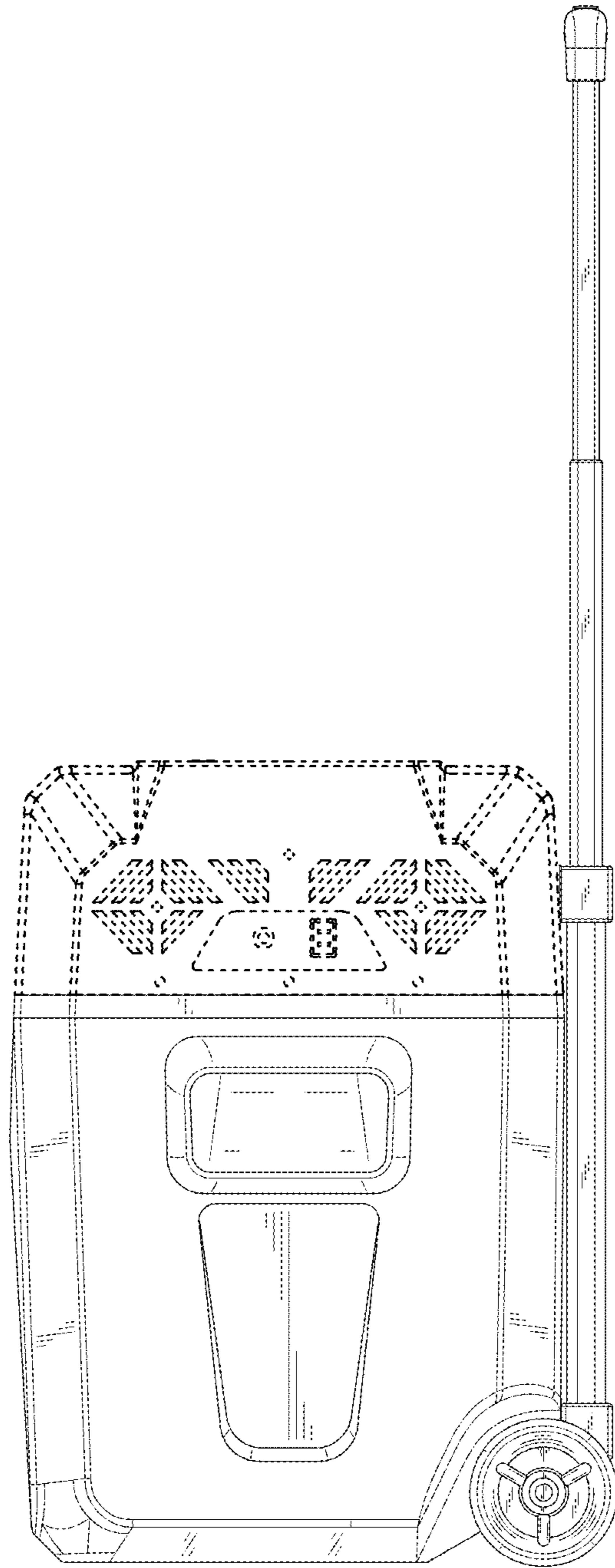


FIG. 5

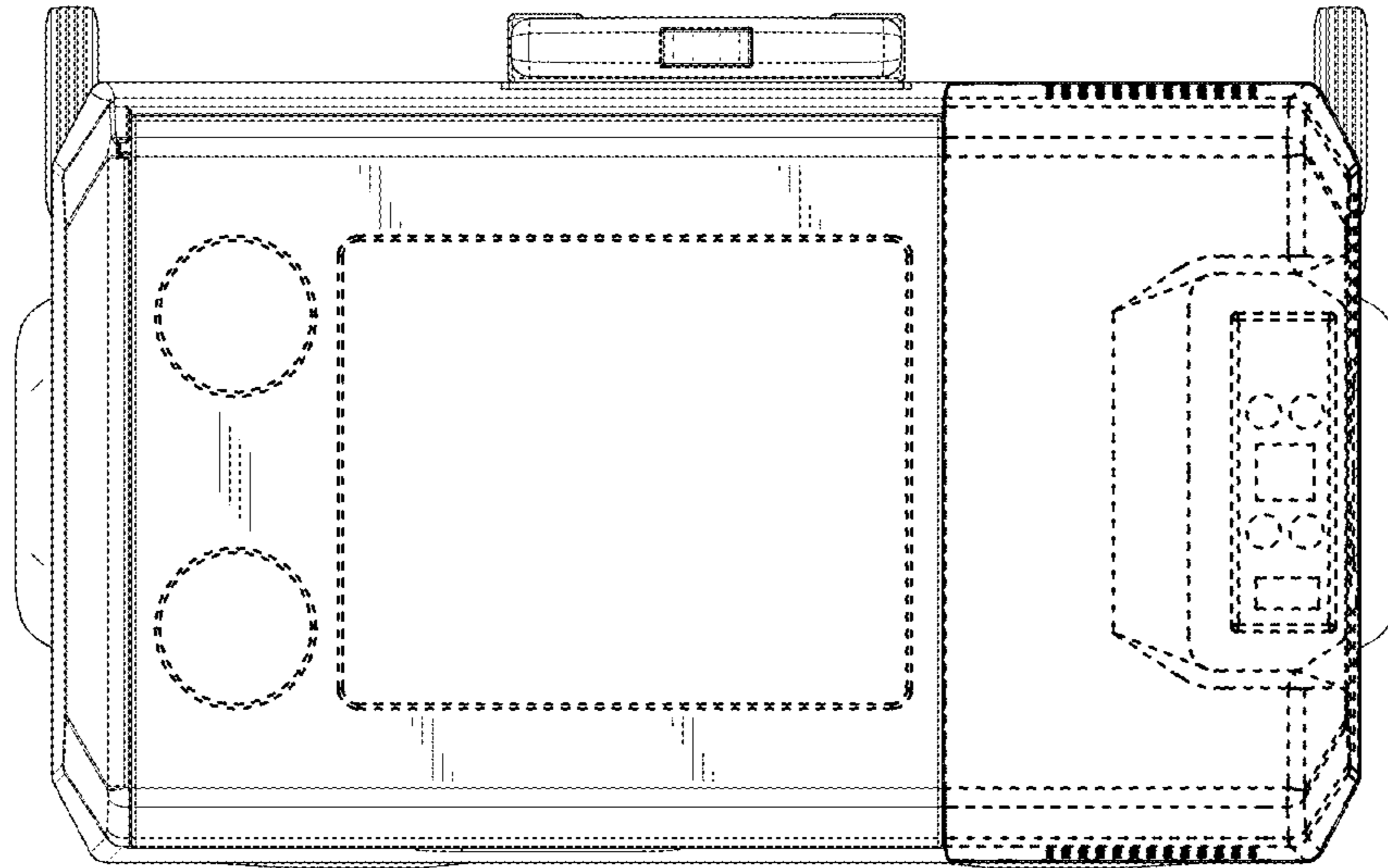


FIG. 6

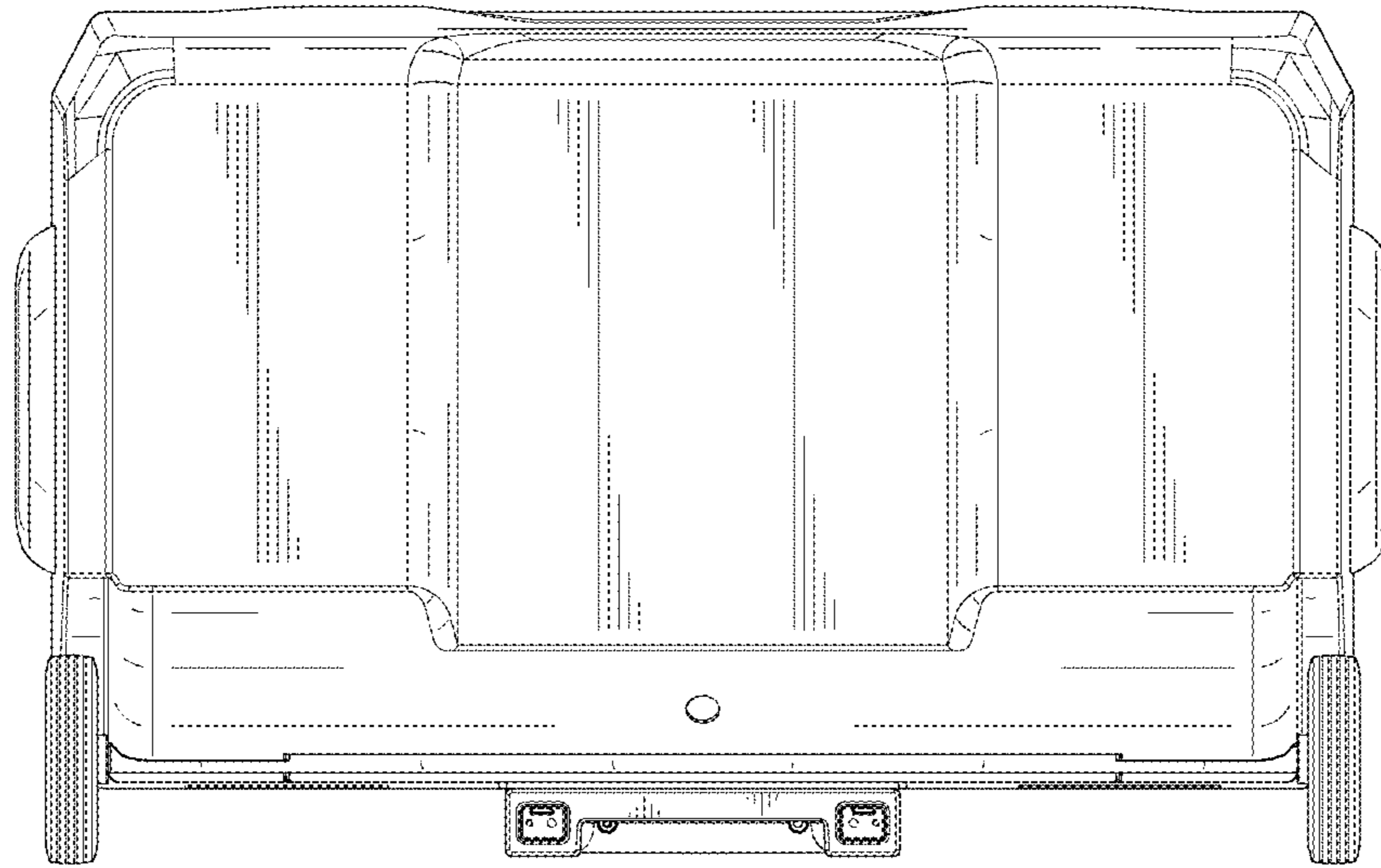


FIG. 7

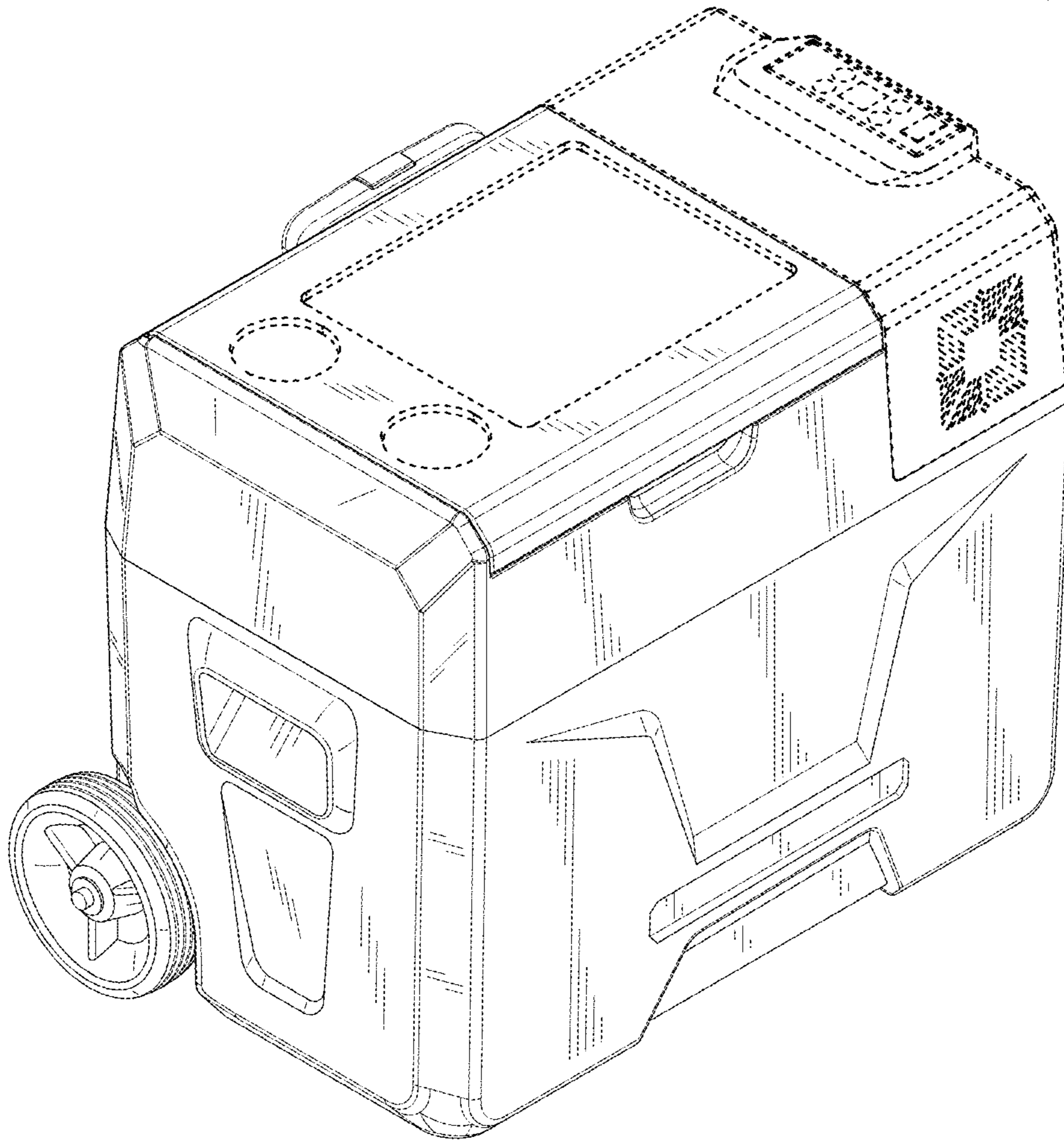
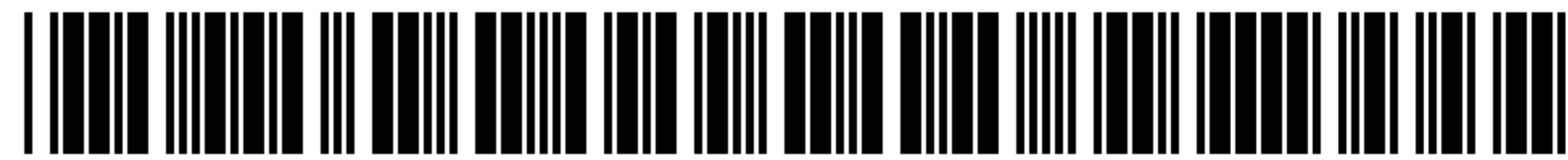


FIG. 8



US00D906377C1

(12) **EX PARTE REEXAMINATION CERTIFICATE** (12399th)
United States Patent
Tang

(10) **Number:** **US D906,377 C1**
(45) **Certificate Issued:** **Sep. 12, 2023**

- (54) **PORTABLE REFRIGERATOR**
- (71) Applicant: **ACOSOLAR INC.**, Walnut, CA (US)
- (72) Inventor: **Longhua Tang**, Walnut, CA (US)
- (73) Assignee: **ACOSOLAR INC.**, Walnut, CA (US)

- (51) **LOC (14) Cl.** 15-07
- (52) **U.S. Cl.**
USPC **D15/79**
- (58) **Field of Classification Search**
USPC D7/605, 608, 709; D15/81, 83, 79
CPC F25D 11/00
See application file for complete search history.

Reexamination Request:
No. 90/014,971, Mar. 9, 2022

Reexamination Certificate for:
Patent No.: **Des. 906,377**
Issued: **Dec. 29, 2020**
Appl. No.: **29/743,943**
Filed: **Jul. 24, 2020**

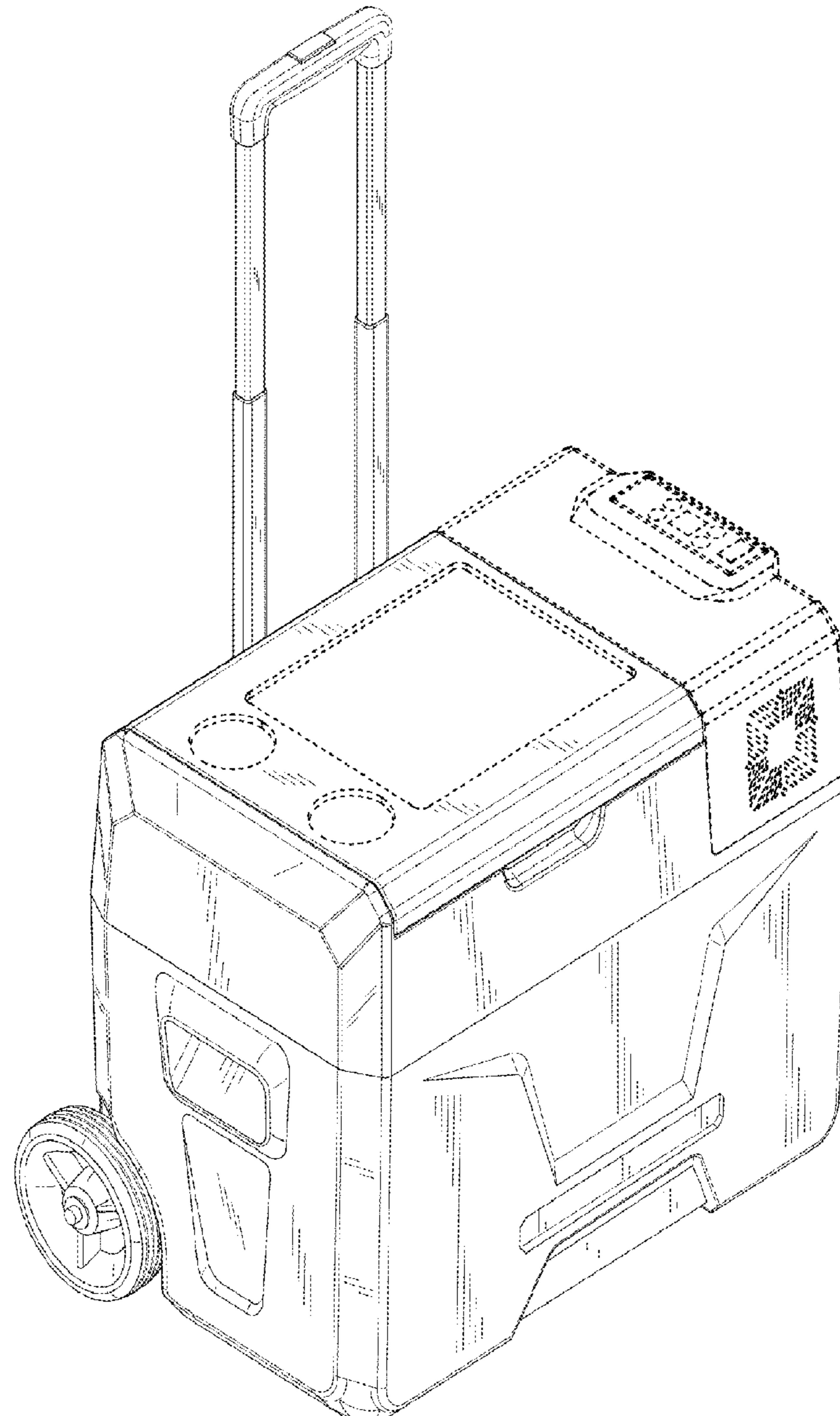
Related U.S. Application Data

- (63) Continuation-in-part of application No. 29/643,138, filed on Apr. 4, 2018.

(56) **References Cited**

To view the complete listing of prior art documents cited during the proceeding for Reexamination Control Number 90/014,971, please refer to the USPTO's Patent Electronic System.

Primary Examiner — Kevin K Rudzinski



1
EX PARTE
REEXAMINATION CERTIFICATE

THE PATENT IS HEREBY AMENDED AS 5
INDICATED BELOW.

AS A RESULT OF REEXAMINATION, IT HAS BEEN
DETERMINED THAT:

The claim 1 is cancelled. 10

* * * * *