



US00D906375S

(12) **United States Design Patent**
Brockway

(10) **Patent No.:** **US D906,375 S**

(45) **Date of Patent:** **** Dec. 29, 2020**

(54) **COMPACTOR MACHINE TRANSPORT
WHEEL PAD**

(71) Applicant: **Radial Iron Works LLC**, Fairchild, WI
(US)

(72) Inventor: **Robert John Brockway**, Fairchild, WI
(US)

(73) Assignee: **Radial Iron Works LLC**, Fairchild, WI
(US)

(**) Term: **15 Years**

(21) Appl. No.: **29/696,880**

(22) Filed: **Jul. 2, 2019**

(51) **LOC (12) Cl.** **15-03**

(52) **U.S. Cl.**
USPC **D15/28**

(58) **Field of Classification Search**
USPC D15/20, 21, 11, 28, 17, 32; D12/604
CPC A01B 29/06; A01B 29/00; E02D 3/026;
E02D 3/00; E02F 9/28; E01C 19/23;
B60B 15/00; B60B 15/025; B60B 15/026;
B60B 15/021; B60B 15/02; B60C 7/102;
B60C 7/08; B60C 7/00; B60C 7/10;
B60C 1/00; B60C 7/108
See application file for complete search history.

(56) **References Cited**

U.S. PATENT DOCUMENTS

- 1,658,623 A * 2/1928 Wittkopp B60C 7/102
152/300
- 3,650,185 A * 3/1972 Takata E02D 3/026
404/121
- 5,078,454 A * 1/1992 Rollinson B60B 15/021
152/309
- D325,209 S * 4/1992 Rollinson D12/604
- D338,677 S * 8/1993 Corcoran D15/28
- D338,898 S * 8/1993 Corcoran D15/28

- D342,526 S * 12/1993 Chandler D15/28
- 5,390,985 A * 2/1995 Chandler B60C 11/0311
301/44.2
- D359,054 S * 6/1995 Gale D15/20
- D365,826 S * 1/1996 Chandler D12/604
- 5,573,310 A * 11/1996 Rollinson B60B 15/021
301/43
- D379,630 S * 6/1997 Brockway D15/29
- 5,795,097 A * 8/1998 Caron B09B 1/00
301/44.1
- D476,018 S * 6/2003 Hayashi D15/28
- D538,828 S * 3/2007 Stern E02D 3/026
D15/28
- 7,198,333 B1 * 4/2007 Freeman B60B 15/025
301/43
- D542,811 S * 5/2007 Launder D12/604
- D594,477 S * 6/2009 Dawson D15/20

(Continued)

Primary Examiner — Mark A Goodwin

(74) *Attorney, Agent, or Firm* — Ziolkowski Patent
Solutions Group, SC

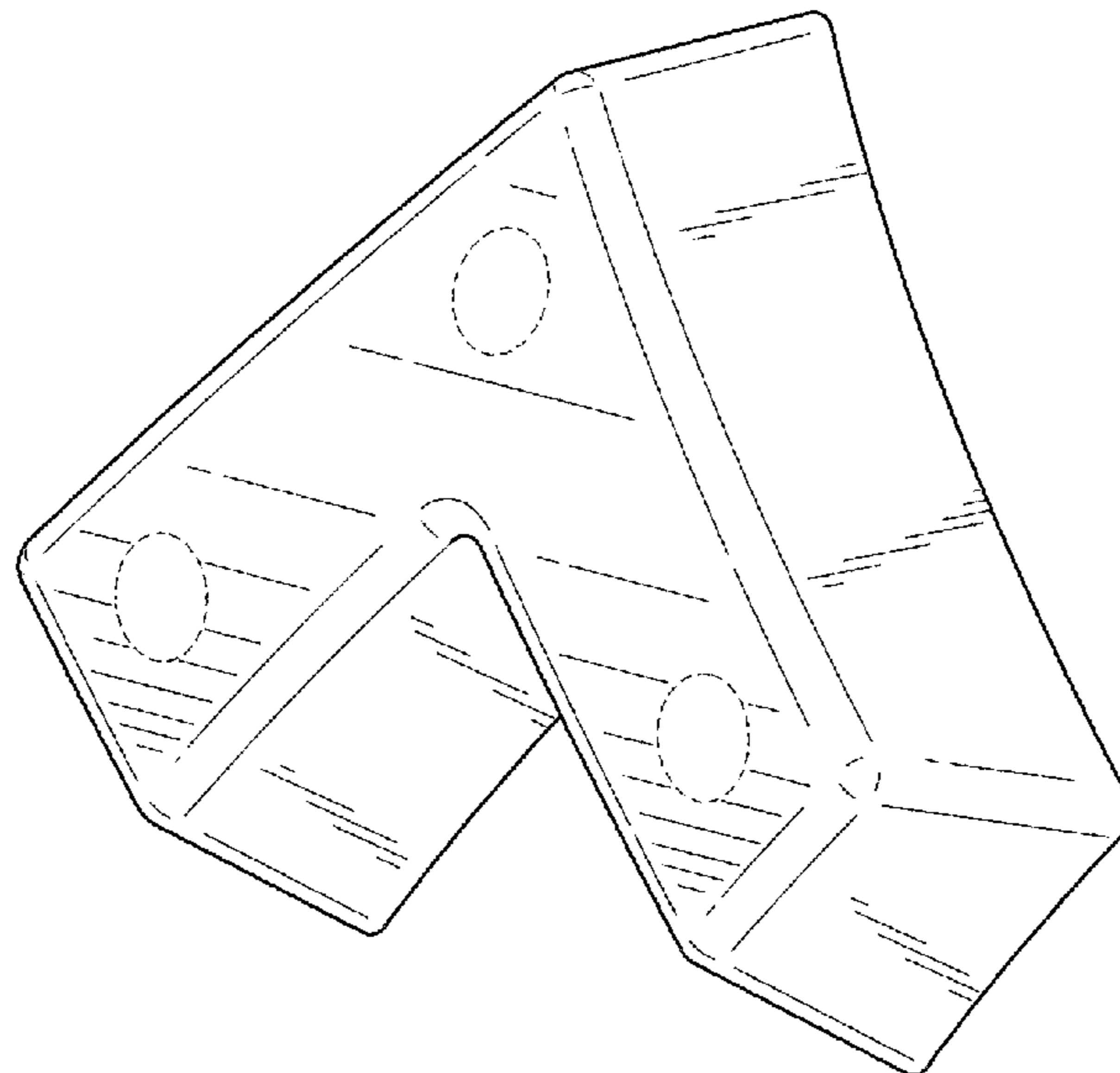
(57) **CLAIM**

The ornamental design for a compactor machine transport wheel pad, as shown and described.

DESCRIPTION

FIG. 1 is a perspective view of a compactor machine transport wheel pad in accordance with an embodiment of the present invention;
 FIG. 2 is a top view thereof;
 FIG. 3 is a bottom view thereof;
 FIG. 4 is a side elevational view thereof;
 FIG. 5 is a rear elevational view thereof;
 FIG. 6 is a front elevational view thereof; and,
 FIG. 7 is a perspective view of a compactor machine transport wheel pad mounted on a compactor machine transport wheel.
 Any broken lines shown in all figures are for illustrative purposes only and form no part of the claimed design.

1 Claim, 4 Drawing Sheets



(56)

References Cited

U.S. PATENT DOCUMENTS

D617,351 S *	6/2010	Brockway	D15/28
D617,817 S *	6/2010	Brockway	D15/28
D664,159 S *	7/2012	Roetsch	D15/27
8,215,867 B2 *	7/2012	Juzva	E02D 3/026 404/121
D675,651 S *	2/2013	Lane	D15/28
D686,641 S *	7/2013	Brockway	D15/28
D693,388 S *	11/2013	Meier	D15/123
D729,852 S *	5/2015	Brockway	D15/28
2009/0045669 A1 *	2/2009	McPhail	B23K 9/232 301/43

* cited by examiner

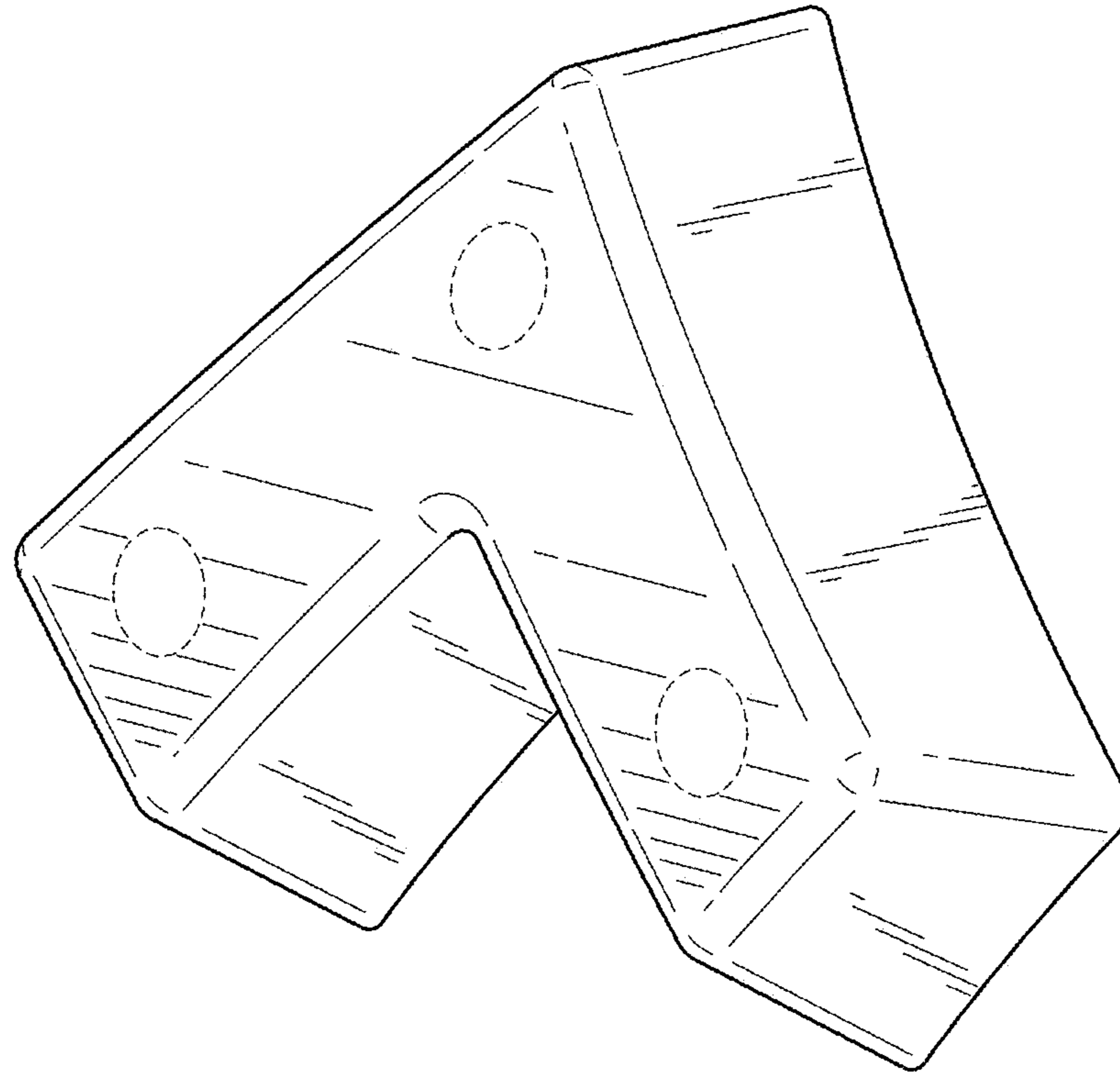


FIG. 1

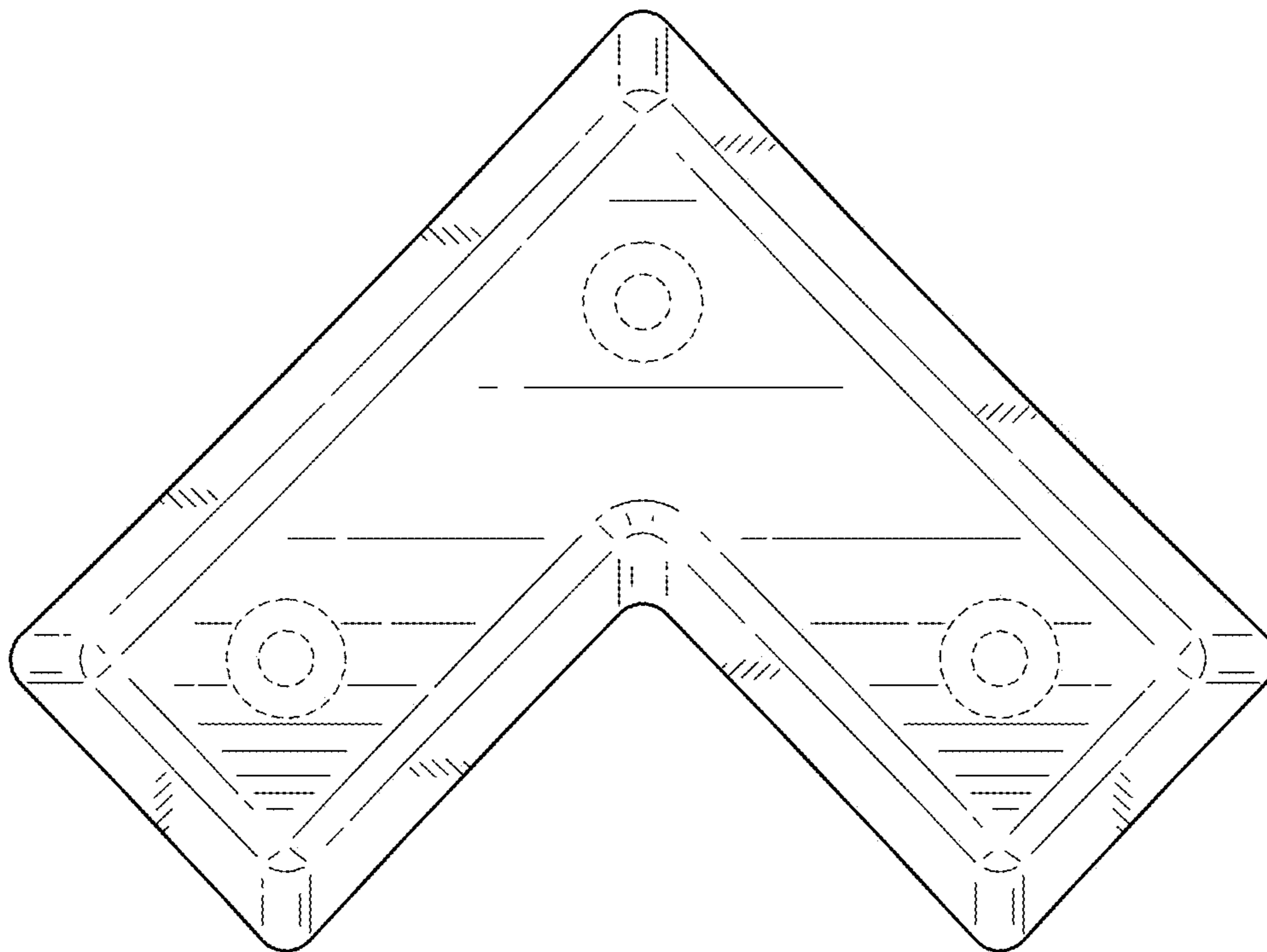
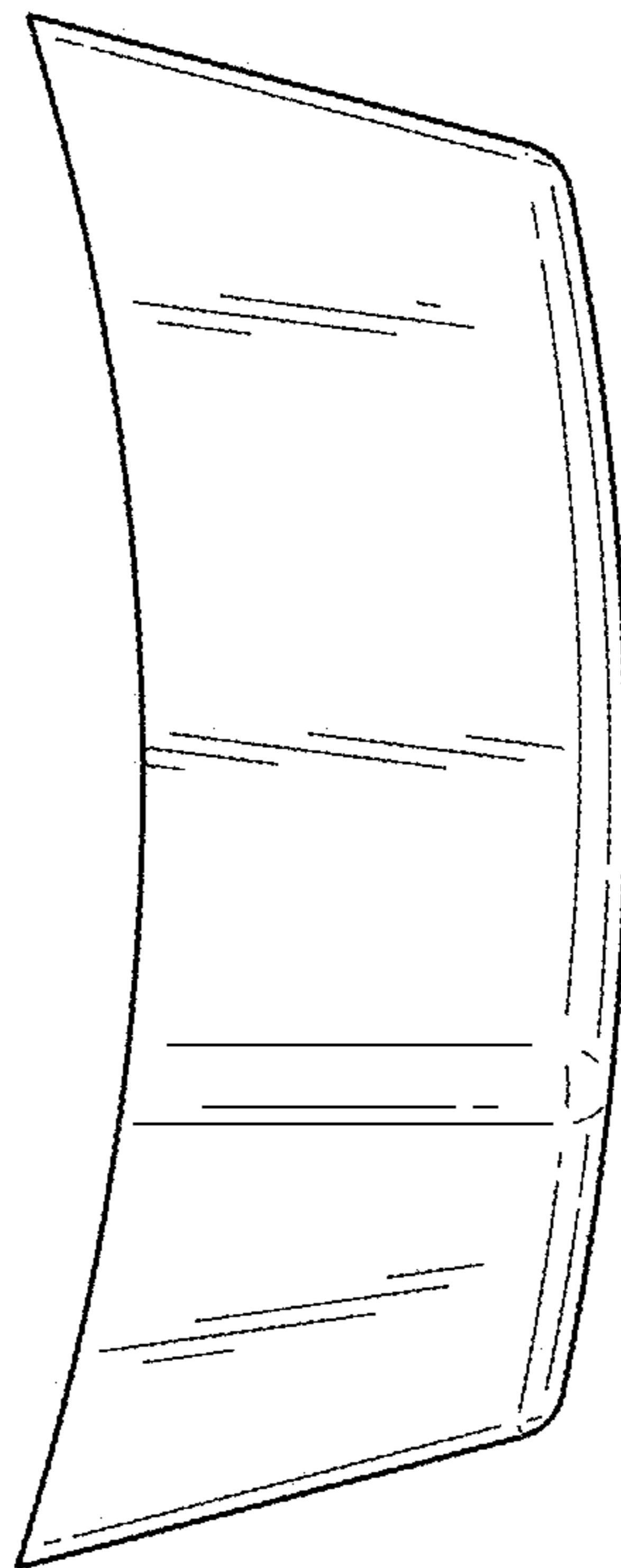
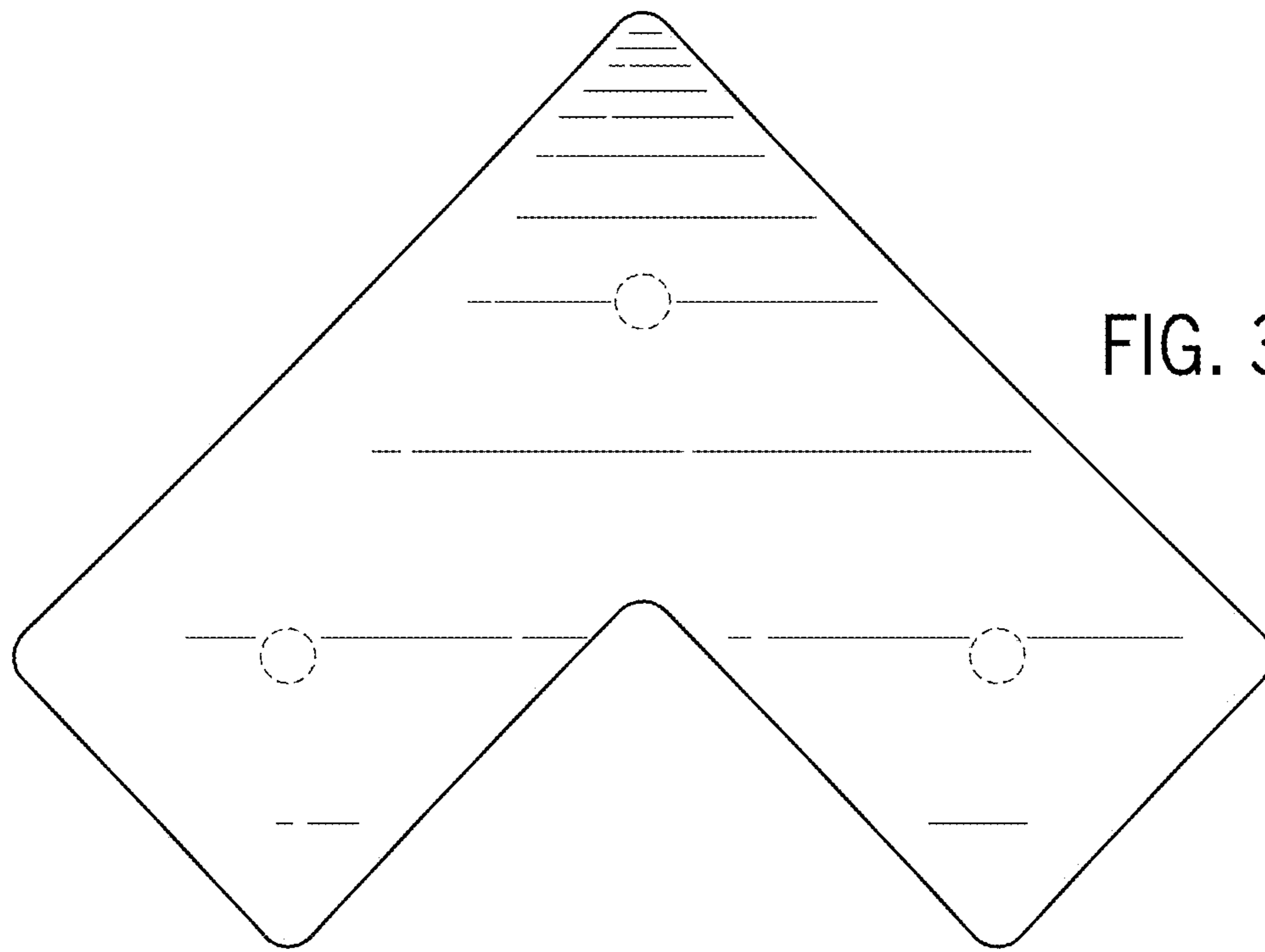


FIG. 2



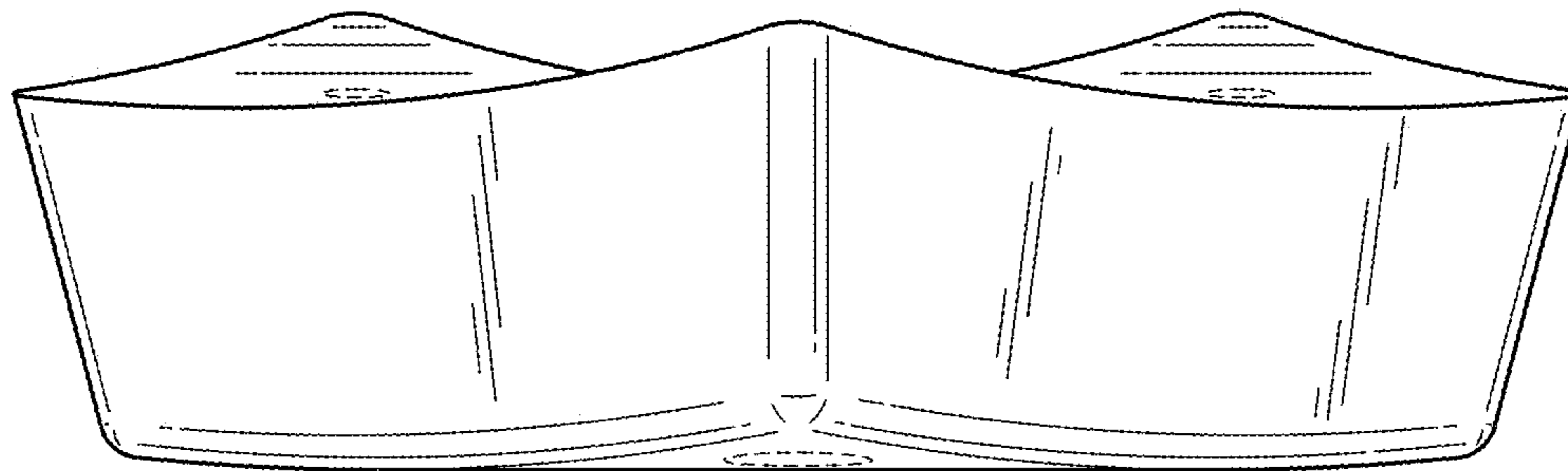


FIG. 5

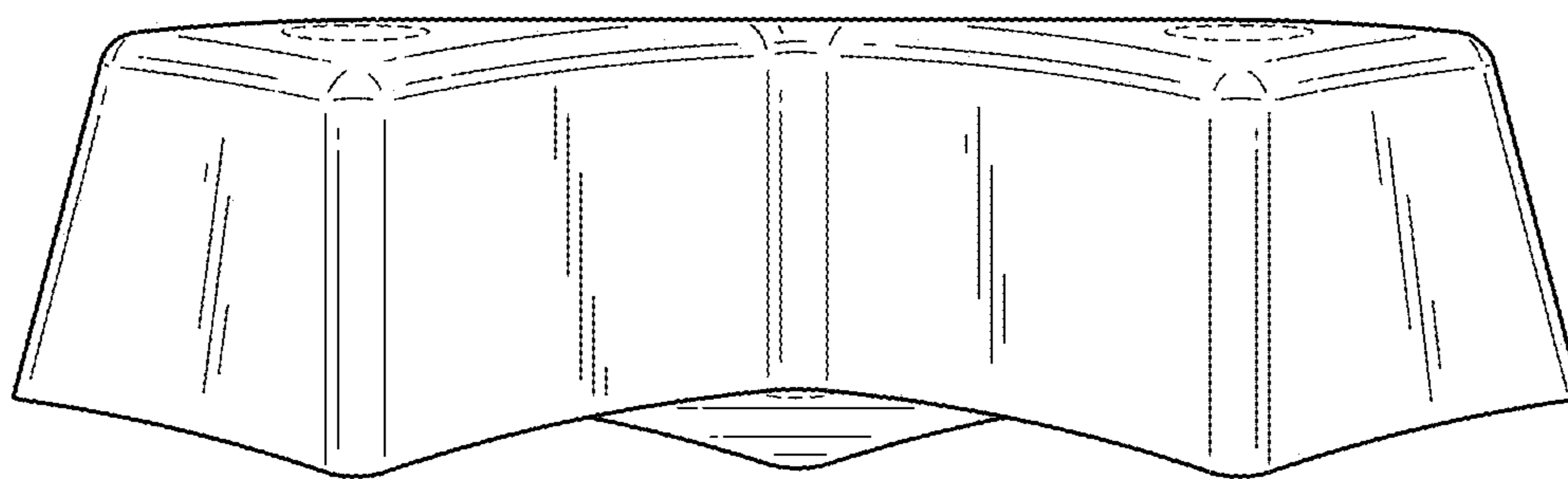


FIG. 6

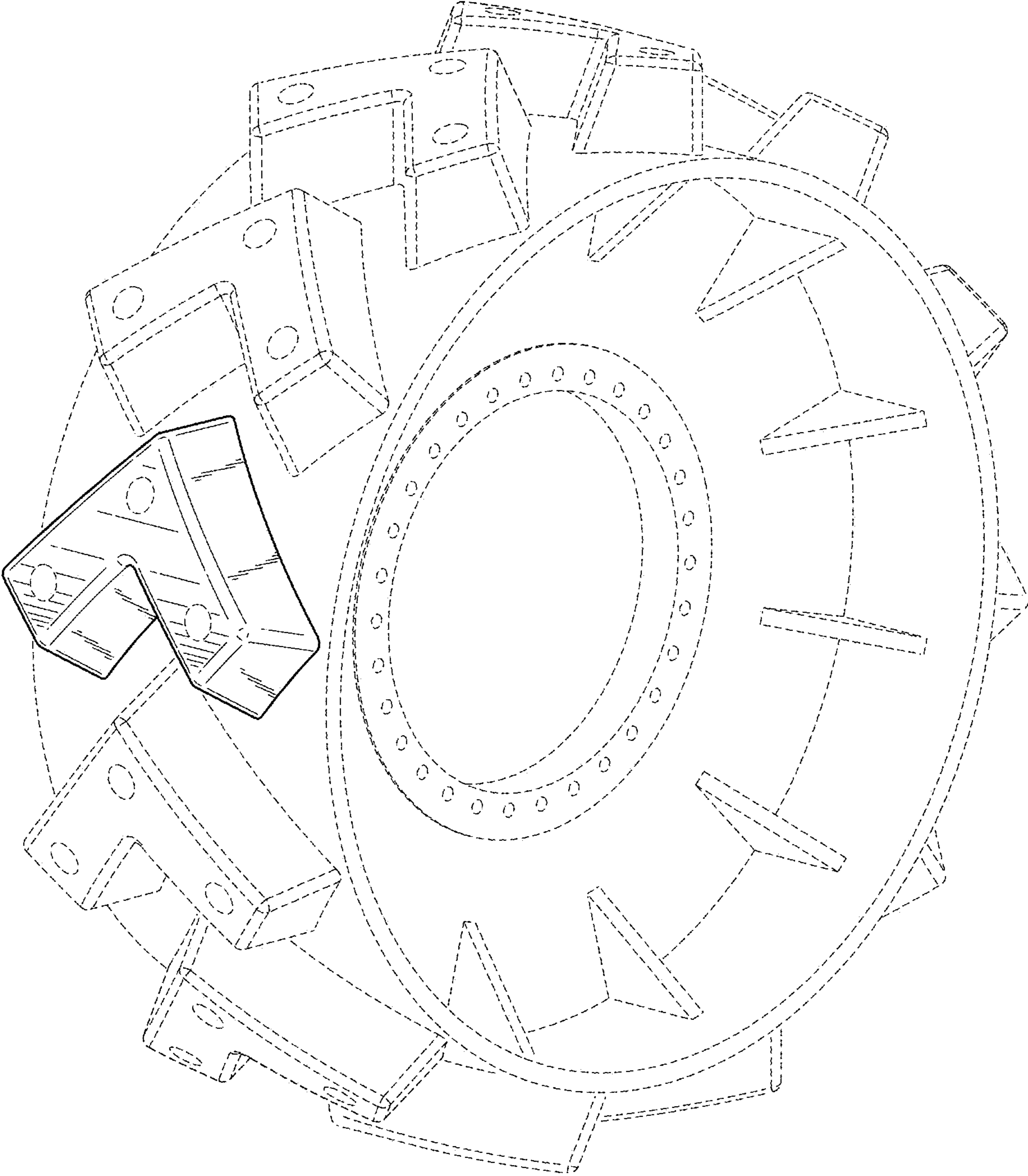


FIG. 7