



US00D906373S

(12) **United States Design Patent** (10) **Patent No.:** **US D906,373 S**
Morin et al. (45) **Date of Patent:** **** Dec. 29, 2020**

(54) **ROBOTIC LAWNMOWER HAVING ANTENNA THEREON**

Primary Examiner — Patricia A Palasik
(74) *Attorney, Agent, or Firm* — Fish & Richardson P.C.

(71) Applicant: **iRobot Corporation**, Bedford, MA (US)

(57) **CLAIM**

(72) Inventors: **Russell Walter Morin**, Burlington, MA (US); **Stuart R. Jang**, Sudbury, MA (US); **Insun Hong**, Somerville, MA (US); **Robert Rizzari**, Billerica, MA (US)

The ornamental design for a robotic lawnmower having antenna thereon, as shown and described.

(73) Assignee: **Robot Corporation**, Bedford, MA (US)

DESCRIPTION

(**) Term: **15 Years**

(21) Appl. No.: **29/654,888**

(22) Filed: **Jun. 28, 2018**

(51) **LOC (12) Cl.** **15-03**

(52) **U.S. Cl.**
USPC **D15/14**

(58) **Field of Classification Search**
USPC D15/14, 199
CPC A01D 34/81; A01D 34/87; A01D 34/90;
A01D 34/008; A01D 34/416; A01D 34/4166; A01D 34/4167; A01G 3/04;
A01G 3/0435; B60L 1/003; B60L 3/0061;
B60L

FIG. 1 is a perspective back view of a robotic lawnmower having an antenna thereon according to our design; FIG. 2 is a back end view thereof; FIG. 3 is a front end view thereof; FIG. 4 is a side view thereof; FIG. 5 is an opposing side view thereof; FIG. 6 is a top view thereof; FIG. 7 is a perspective front view thereof; FIG. 8 is a perspective back view of another embodiment of a robotic lawnmower having an antenna thereon according to our design; FIG. 9 is a back end view thereof; FIG. 10 is a front end view thereof; FIG. 11 is a side view thereof; FIG. 12 is an opposing side view thereof; FIG. 13 is a top view thereof; FIG. 14 is a perspective front view thereof; FIG. 15 is a perspective back view of another embodiment of robotic lawnmower having an antenna thereon according to our design; FIG. 16 is a back end view thereof; FIG. 17 is a front end view thereof; FIG. 18 is a side view thereof; FIG. 19 is an opposing side view thereof; FIG. 20 is a top view thereof; and, FIG. 21 is a perspective front view thereof. The bottom view is disclaimed in all embodiments. The broken lines shown herein are for illustrative purposes only and form no part of the claimed design.

(Continued)

(56) **References Cited**

U.S. PATENT DOCUMENTS

3,229,296 A * 1/1966 Saari H01Q 1/085
343/709

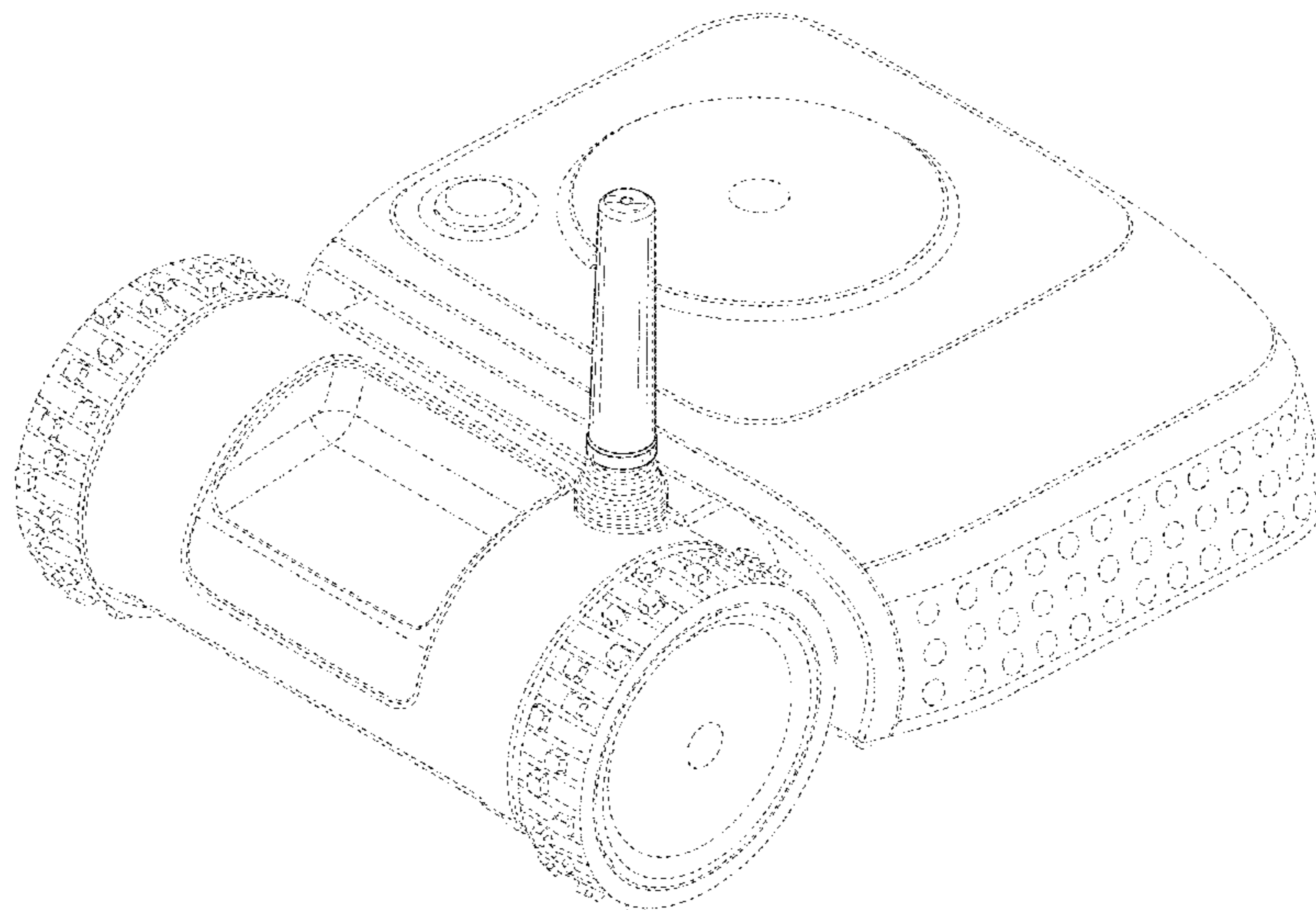
D261,674 S * 11/1981 Nice D15/199
(Continued)

OTHER PUBLICATIONS

[No Author Listed], "Gardena Robotic Lawnmower product manual," Gardena, 2019, 11 pages.

(Continued)

1 Claim, 21 Drawing Sheets



- (58) **Field of Classification Search**
 CPC 11/1803; B60L 11/1805; B60L 11/1877;
 B60L 15/20; B60L 2220/16; B60L
 2220/46; B60L 2240/36; B60L 2240/421;
 B60L 2260/28; B60L 2260/40
 See application file for complete search history.

(56) **References Cited**

U.S. PATENT DOCUMENTS

D321,693 S * 11/1991 Mailandt D14/234
 D369,785 S * 5/1996 Cotee D13/184
 D390,566 S * 2/1998 Martek D14/230
 D406,136 S * 2/1999 Sato D14/138 R
 D414,486 S * 9/1999 Zambotti D14/138 AB
 D427,181 S * 6/2000 Engwall D14/230
 6,133,885 A * 10/2000 Luniak H01Q 1/242
 343/702
 6,275,198 B1 * 8/2001 Kenoun H01Q 1/242
 343/702
 6,359,592 B1 * 3/2002 Chen H01Q 1/10
 343/702
 D456,797 S * 5/2002 Huang D14/230
 D457,669 S * 5/2002 Piepgras D26/37
 D470,837 S * 2/2003 Tourres D14/230
 6,661,391 B2 * 12/2003 Ohara H01Q 1/242
 343/702
 D486,146 S * 2/2004 Dearnley D14/230
 6,707,430 B2 * 3/2004 Sakaguchi H01Q 1/1207
 343/702
 6,969,296 B1 * 11/2005 Chen A63H 1/24
 446/242
 7,002,527 B2 * 2/2006 Sugawara H01Q 3/00
 343/750
 D519,992 S * 5/2006 McAnally D14/238
 D552,607 S * 10/2007 Cleland D14/358
 7,324,055 B2 * 1/2008 Wan H01Q 9/32
 343/725
 D596,177 S * 7/2009 Steele D14/358
 D641,435 S * 7/2011 Coote D21/694

D674,788 S * 1/2013 Tsuda D14/240
 8,514,142 B1 * 8/2013 Doane H01Q 15/002
 343/818
 D691,675 S * 10/2013 Kim D21/533
 D696,231 S * 12/2013 Konishi D14/230
 D748,079 S * 1/2016 Dinsdale D14/230
 D780,128 S * 2/2017 Bollinger, Jr. D13/162.1
 D793,347 S * 8/2017 Nostrant D13/168
 D808,939 S * 1/2018 Tinaphong D14/230
 D809,491 S * 2/2018 Tinaphong D14/230
 D837,753 S * 1/2019 Azar D13/179
 D844,590 S * 4/2019 Courtney D14/230
 D863,270 S * 10/2019 Naweed D14/230
 D872,713 S * 1/2020 Courtney D14/230
 D876,372 S * 2/2020 Azar D13/179
 2004/0183727 A1 * 9/2004 Choi H01Q 5/371
 343/700 MS
 2005/0083236 A1 * 4/2005 Louzir H01Q 1/241
 343/725
 2006/0017650 A1 * 1/2006 Allen H01Q 19/32
 343/900
 2008/0030406 A1 * 2/2008 Fortson H01Q 9/32
 343/700 MS
 2008/0063400 A1 * 3/2008 Hudson G05D 1/0033
 398/106
 2011/0266076 A1 * 11/2011 Morey B62D 55/075
 180/9.32
 2015/0002356 A1 * 1/2015 Urbasic H01Q 21/29
 343/832
 2017/0133764 A1 * 5/2017 Tinaphong H01Q 1/10
 2020/0021122 A1 * 1/2020 Lydon B60L 53/36

OTHER PUBLICATIONS

[No Author Listed], "Landroid Unmanned Mowing Vehicle product manual," Worx, 2015, 52 pages.
 [No Author Listed], "Operator's manual. Husqvarna Automower 550H," Husqvarna, 2019, 56 pages.
 [No Author Listed], "Robomow S model product manual," Robotics Acquisitions, Ltd., 2016, 62 pages.

* cited by examiner

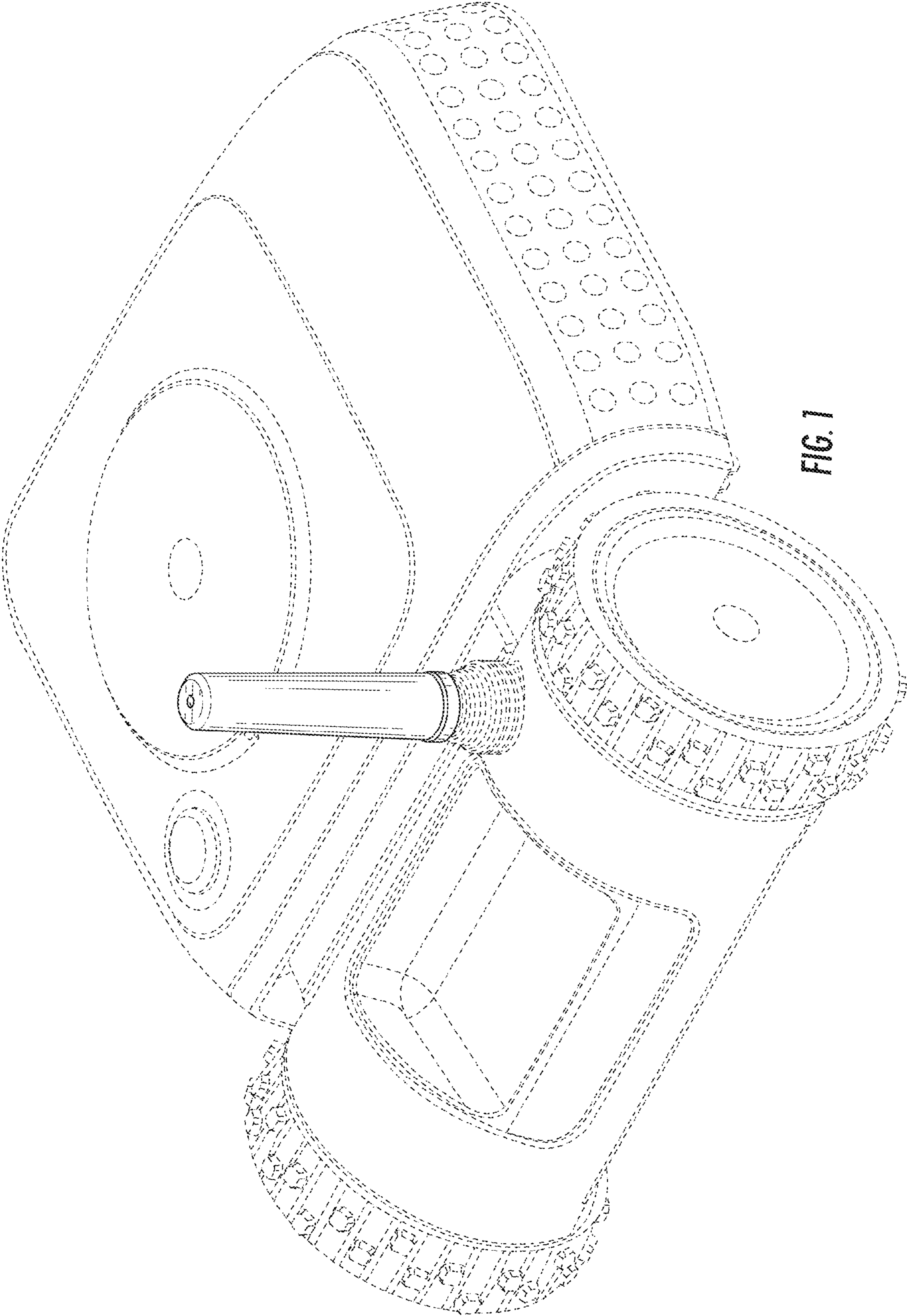


FIG. 1

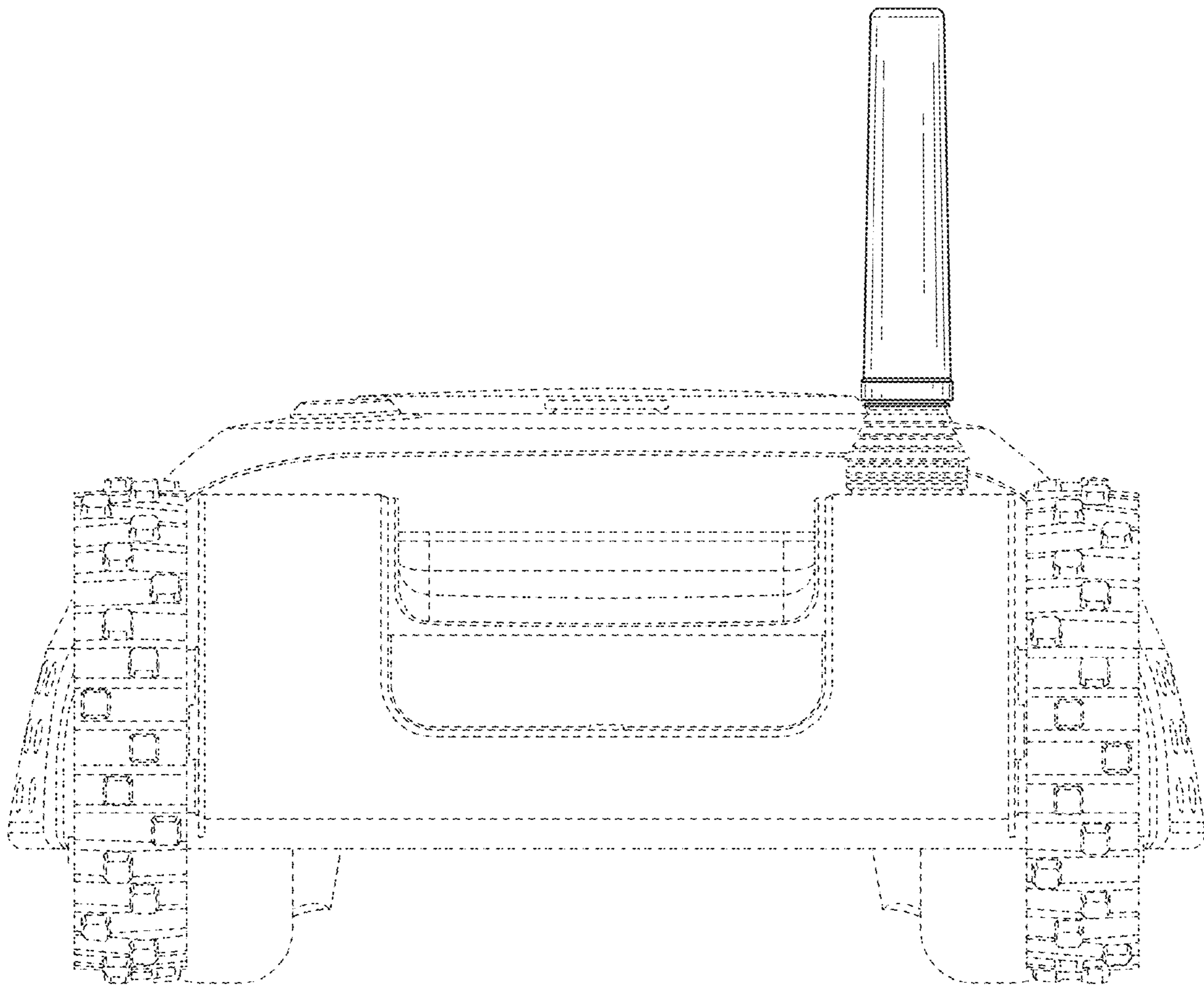


FIG. 2

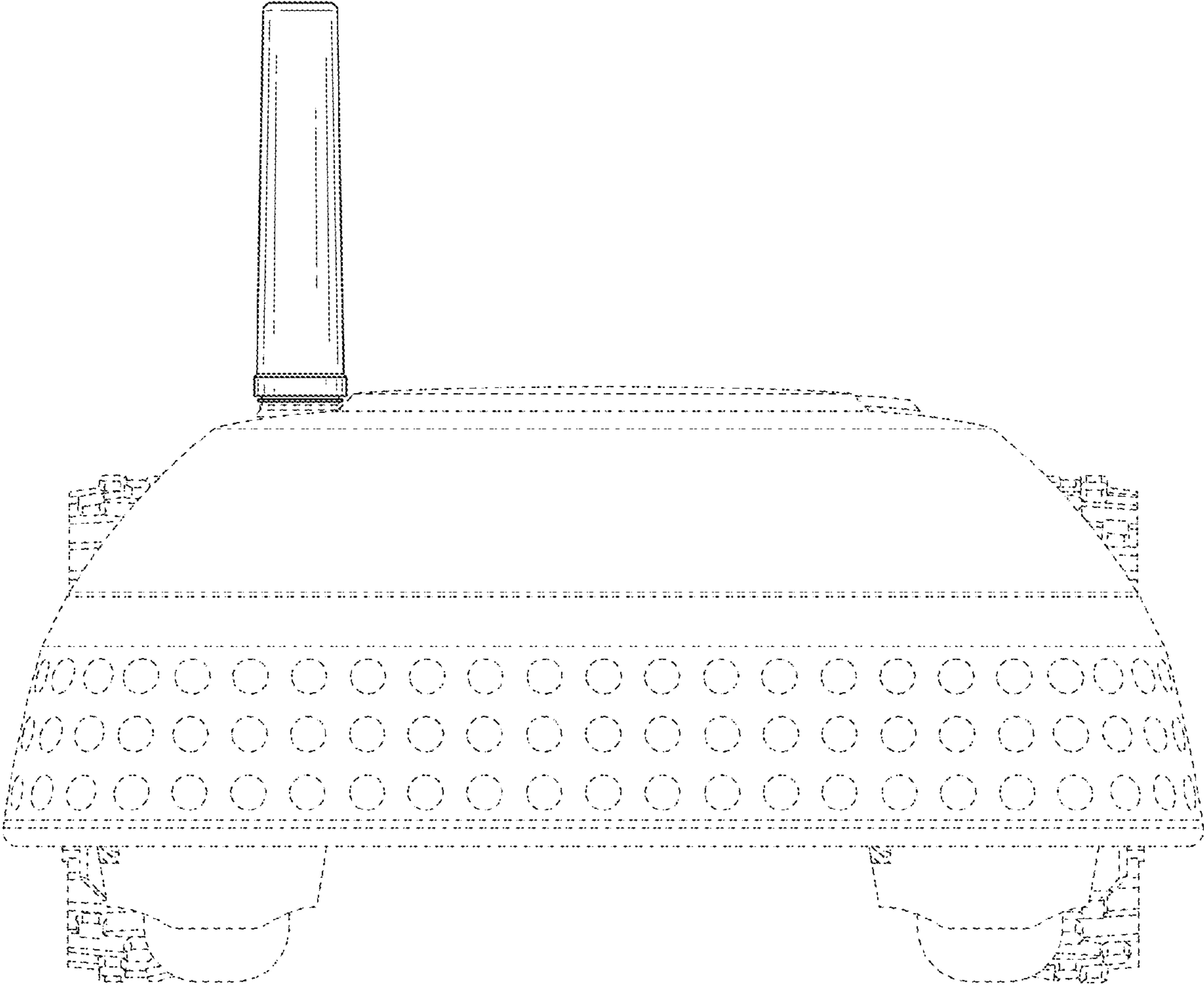


FIG. 3

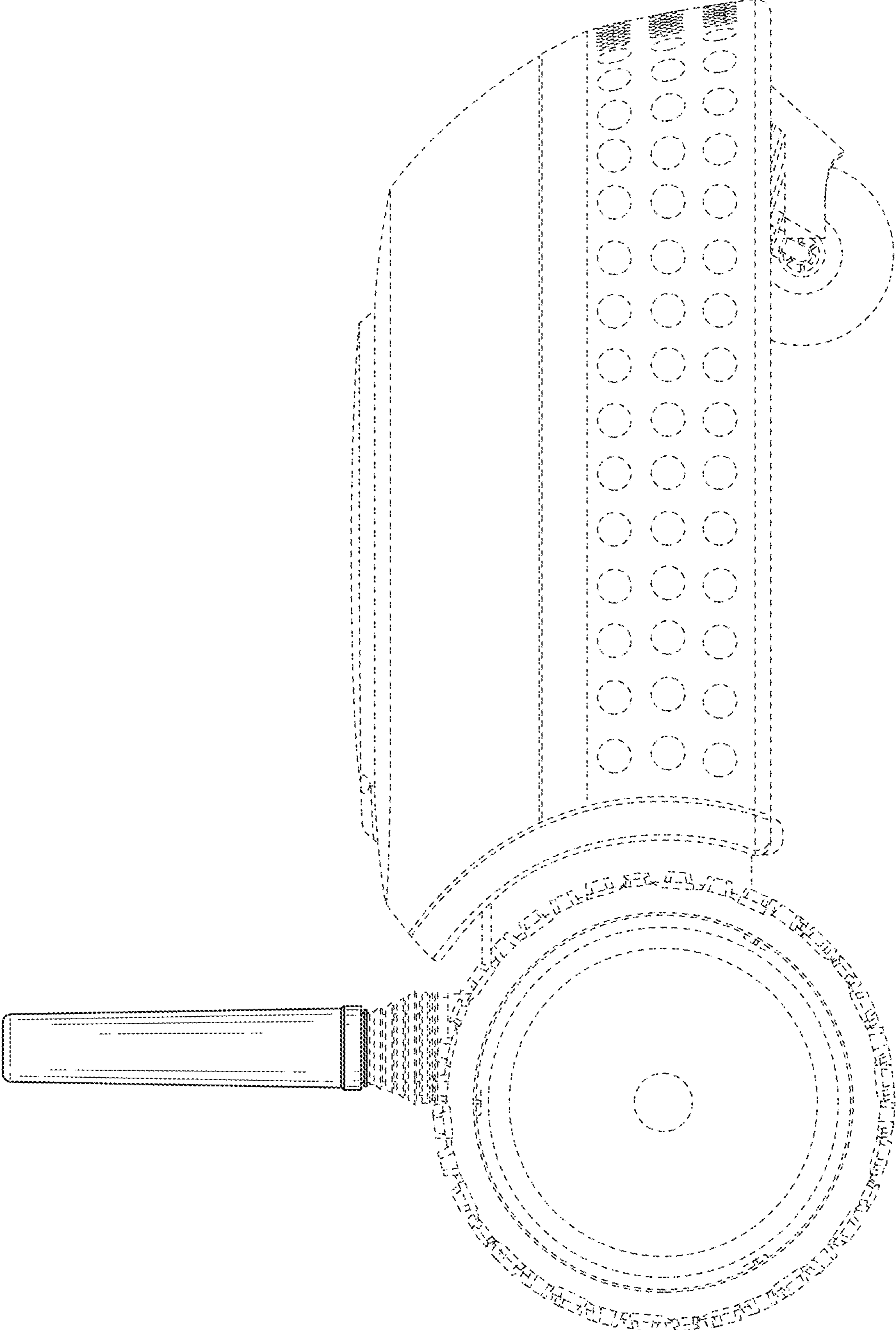


FIG. 4

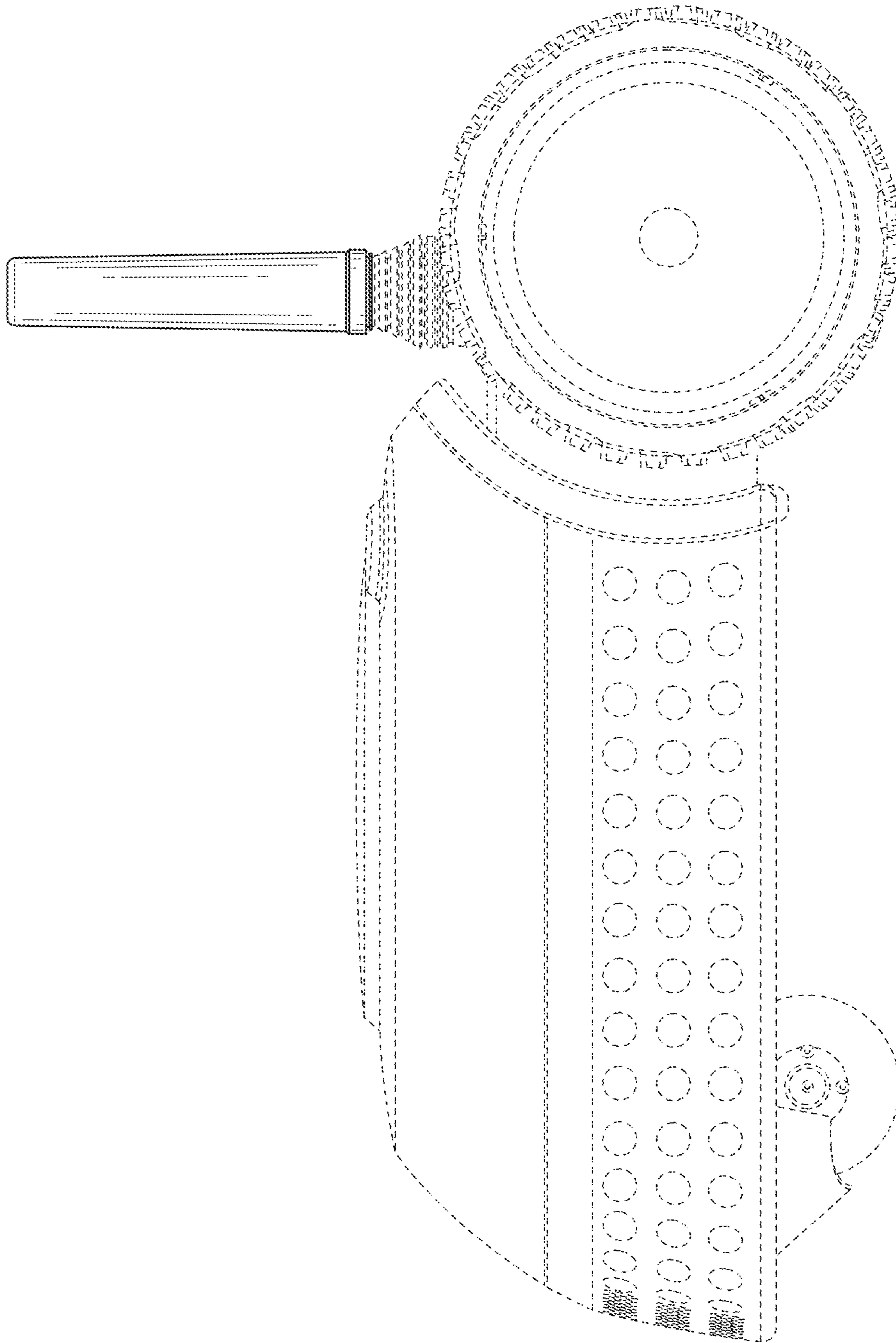


FIG. 5

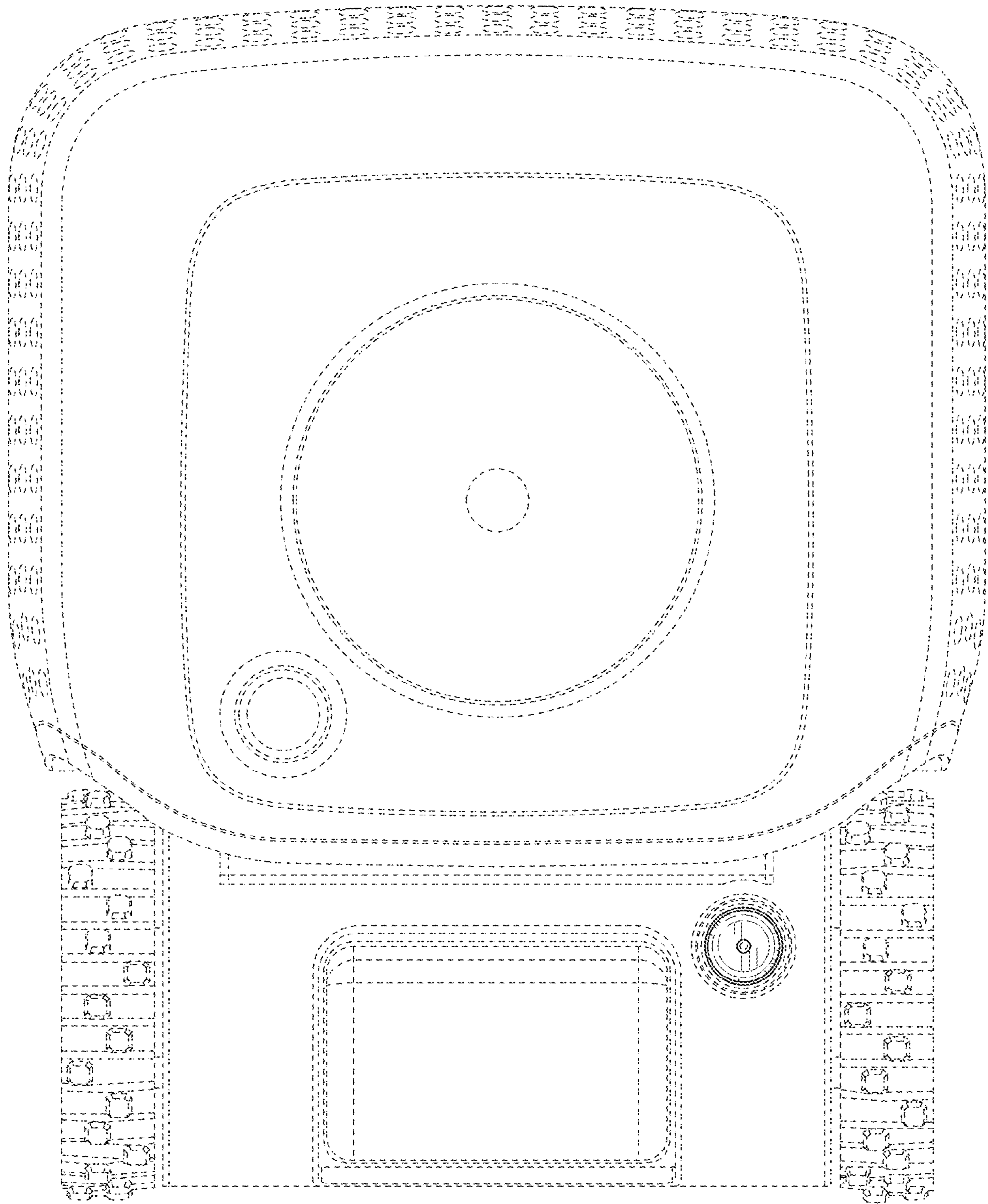


FIG. 6

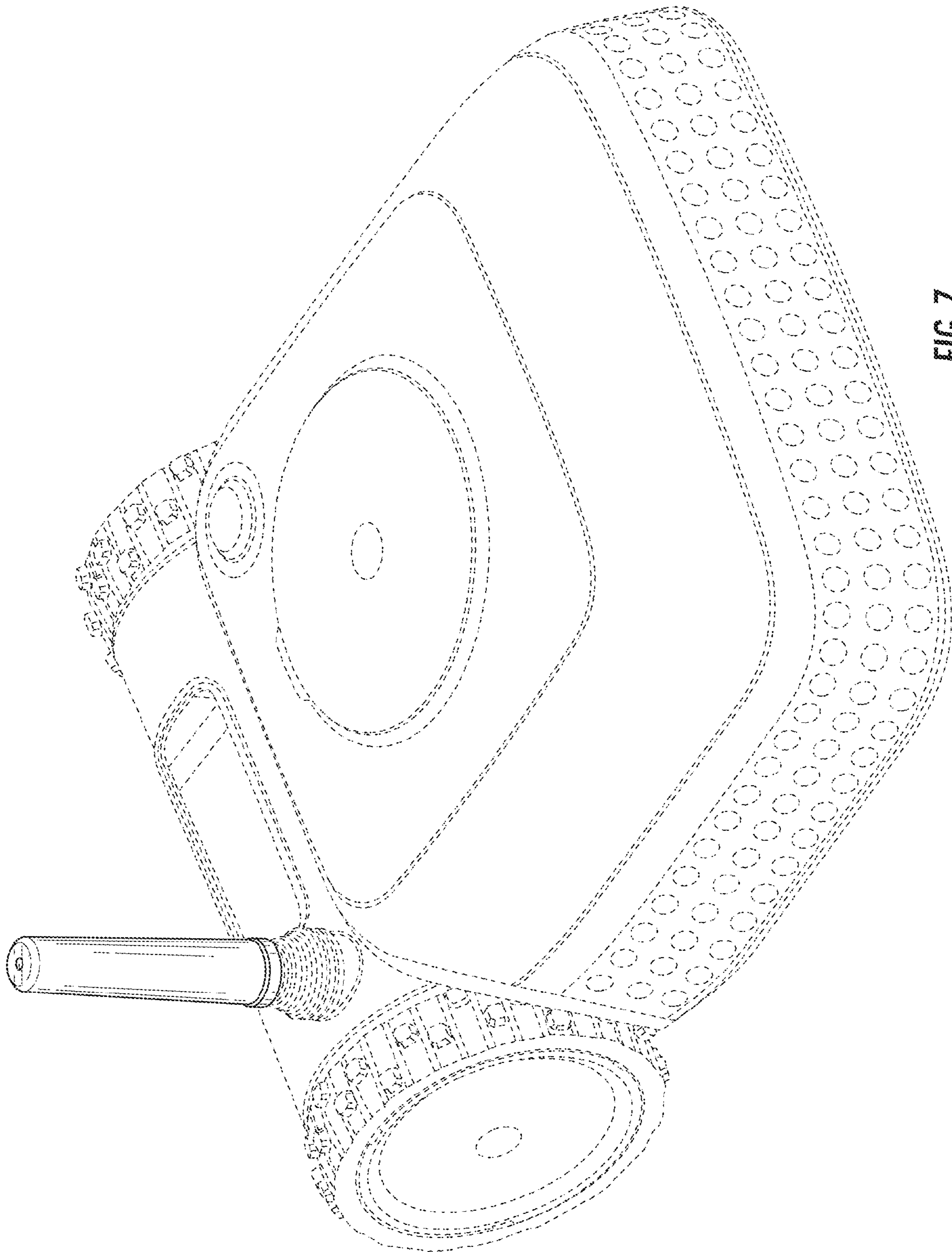
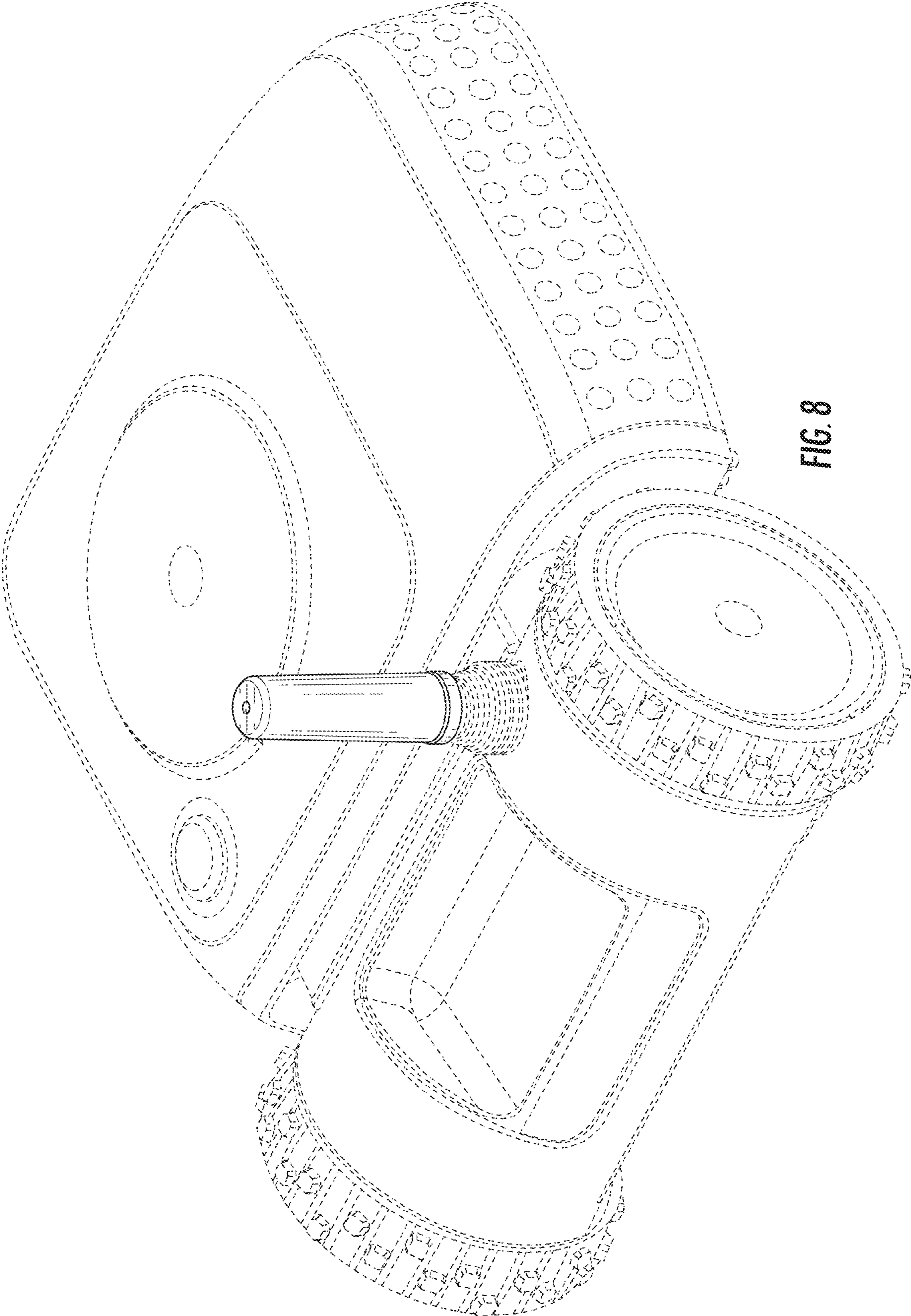


FIG. 7



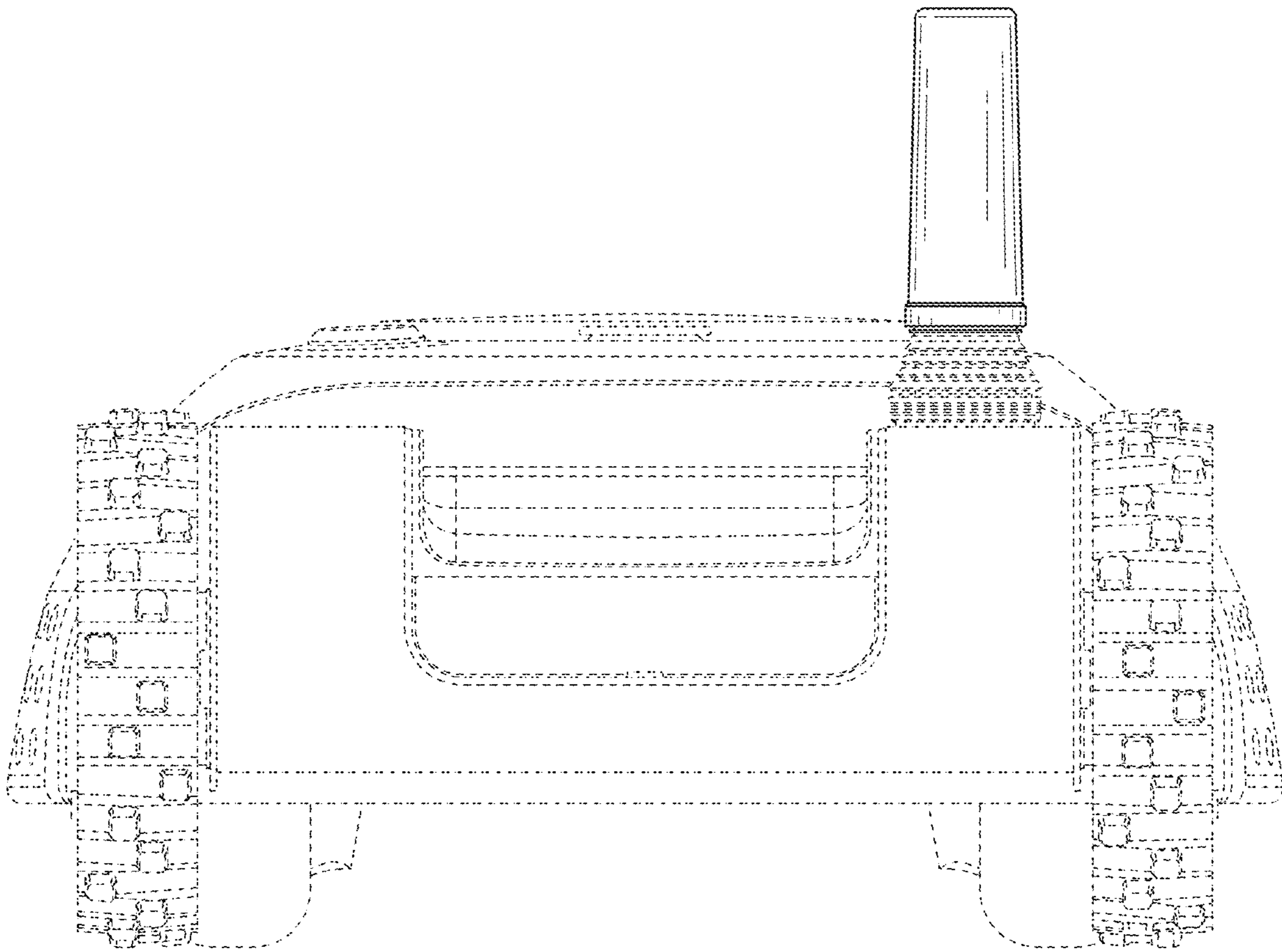


FIG. 9

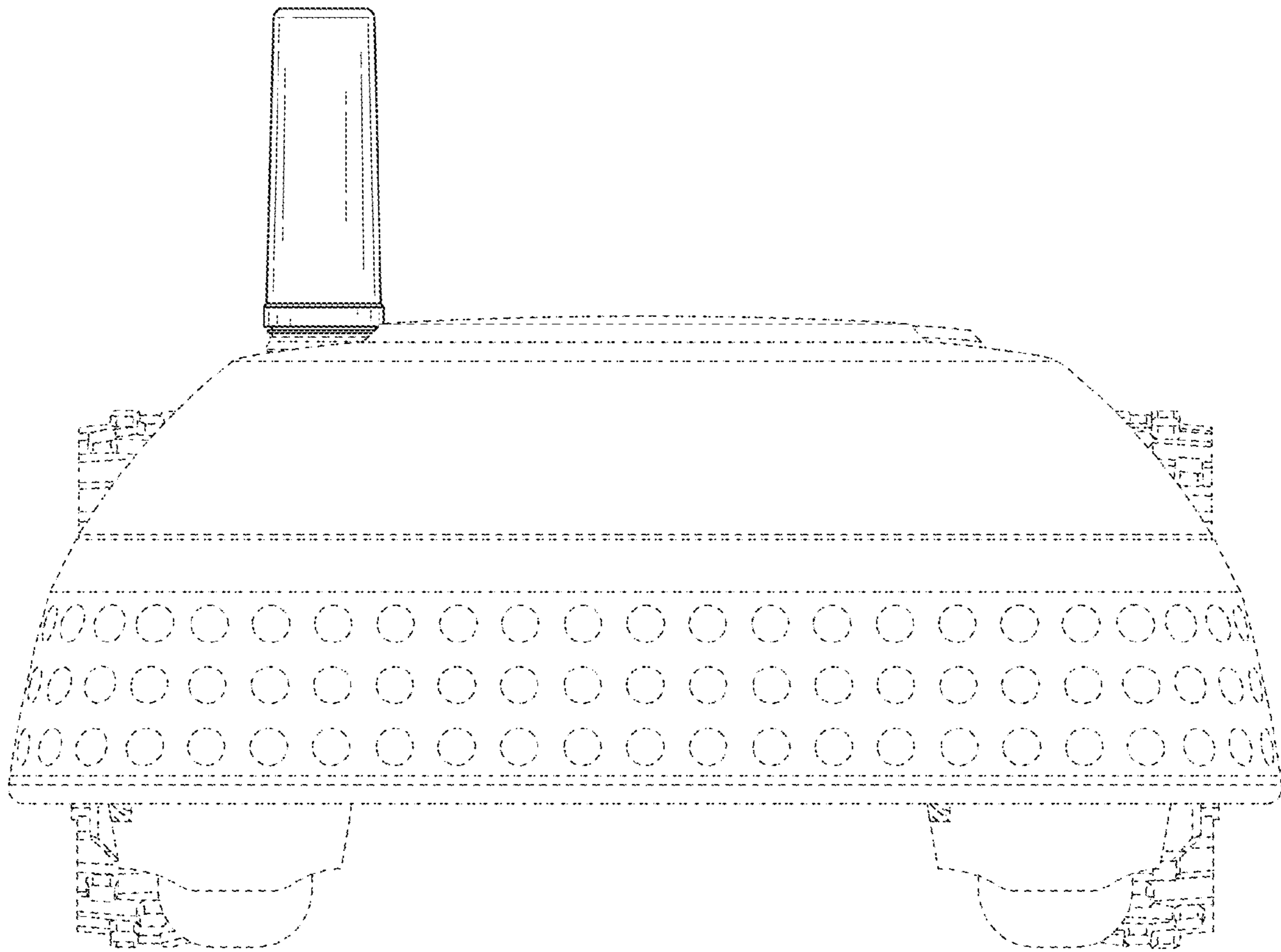


FIG. 10

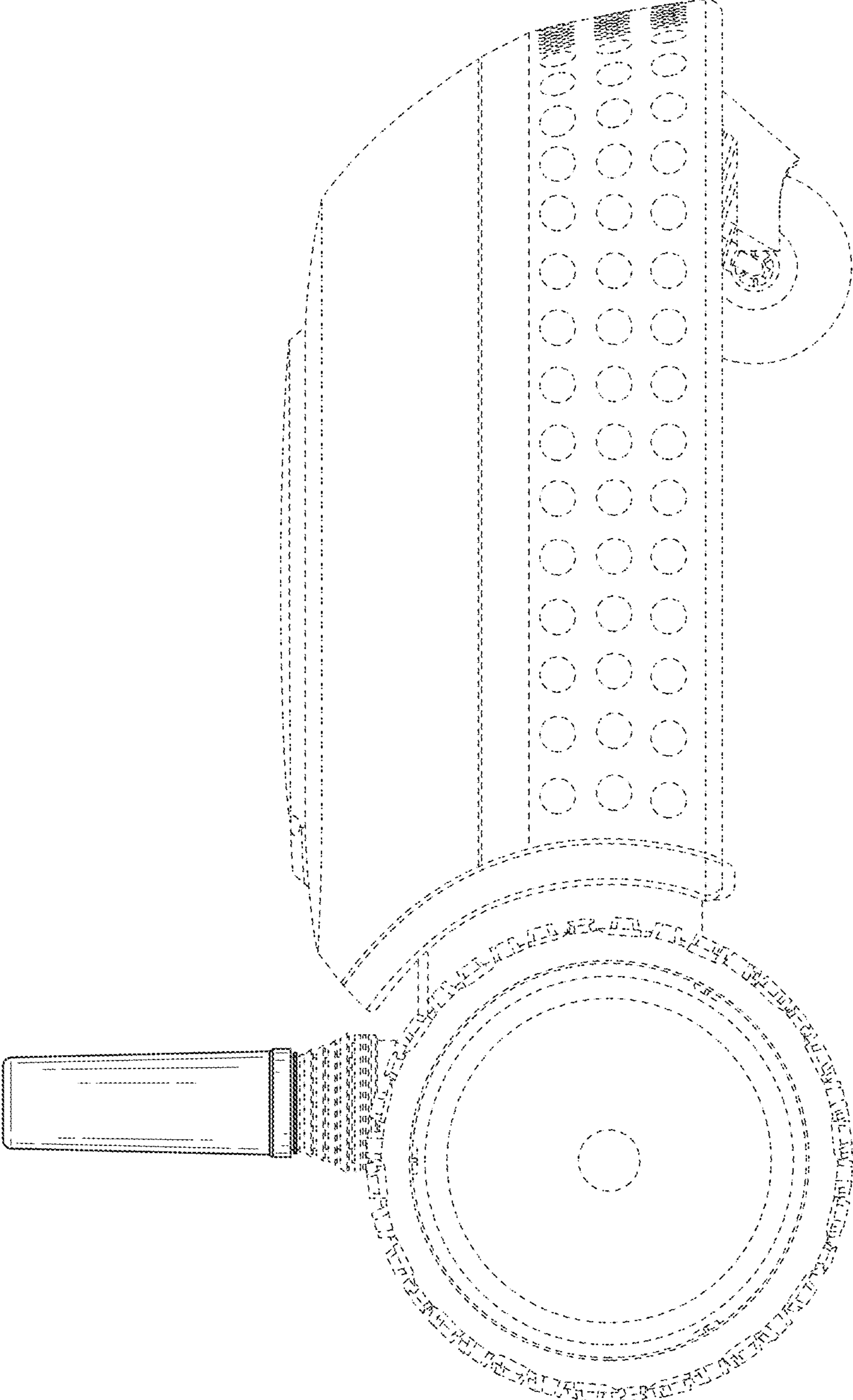


FIG. 11

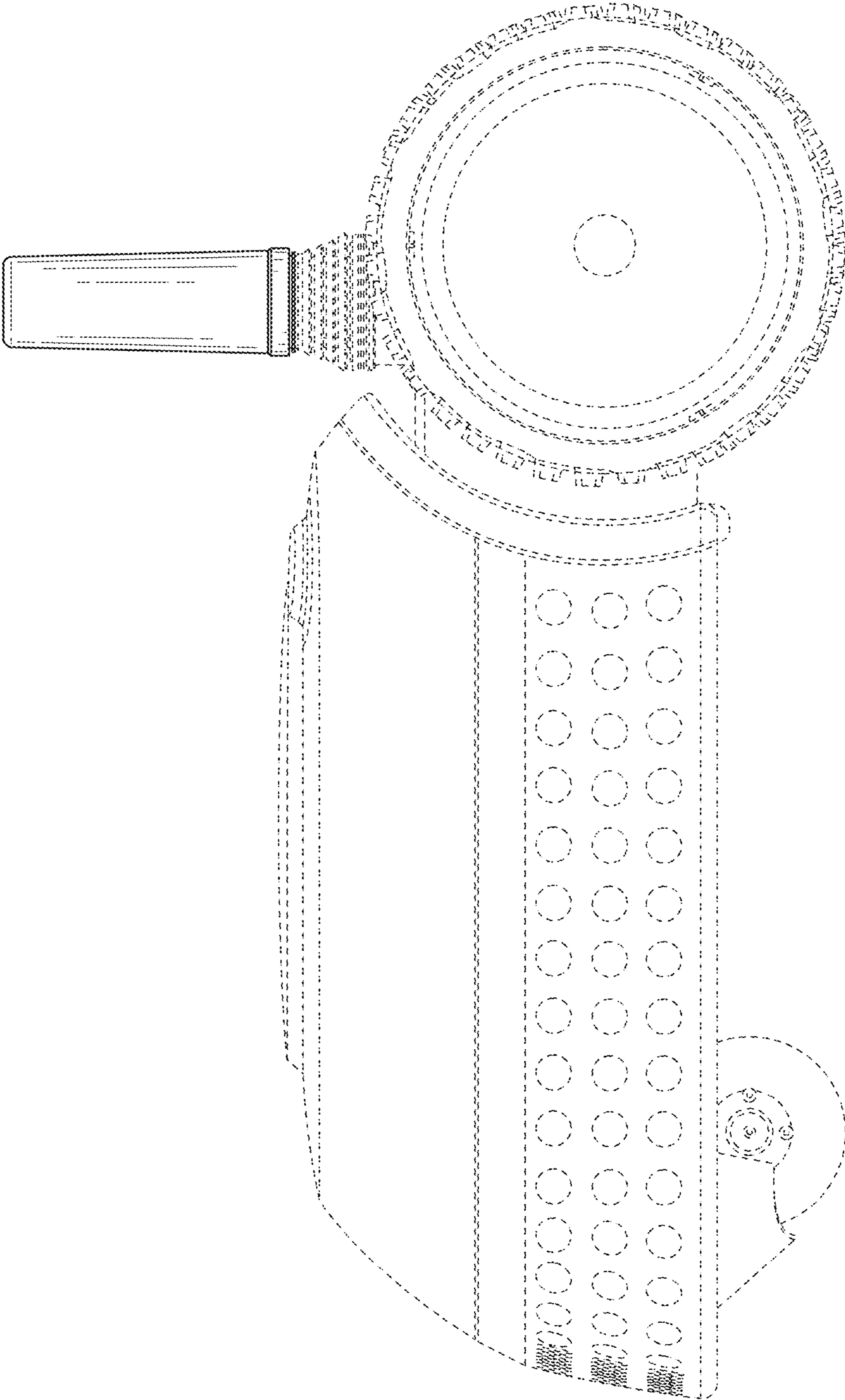


FIG. 12

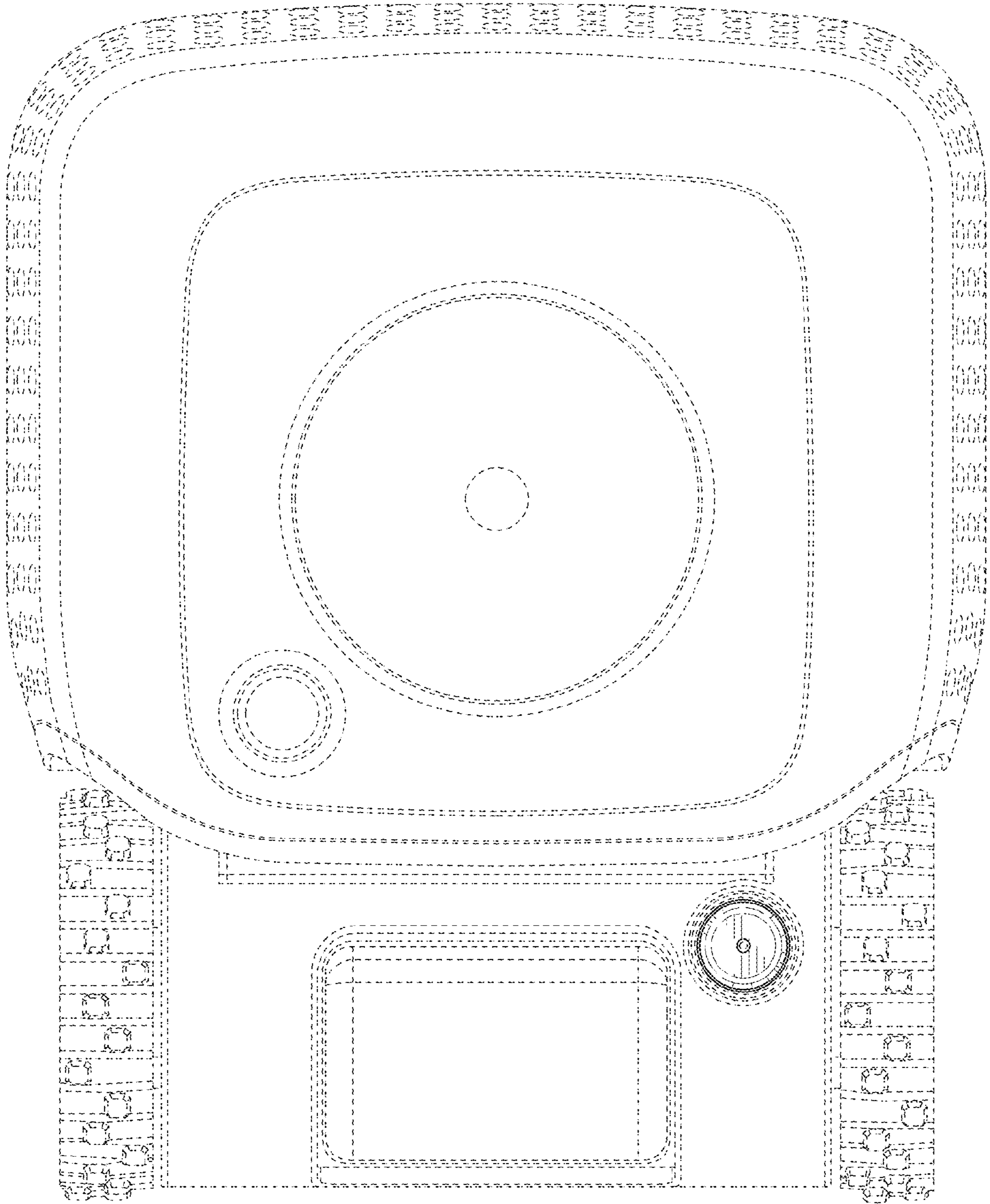


FIG. 13

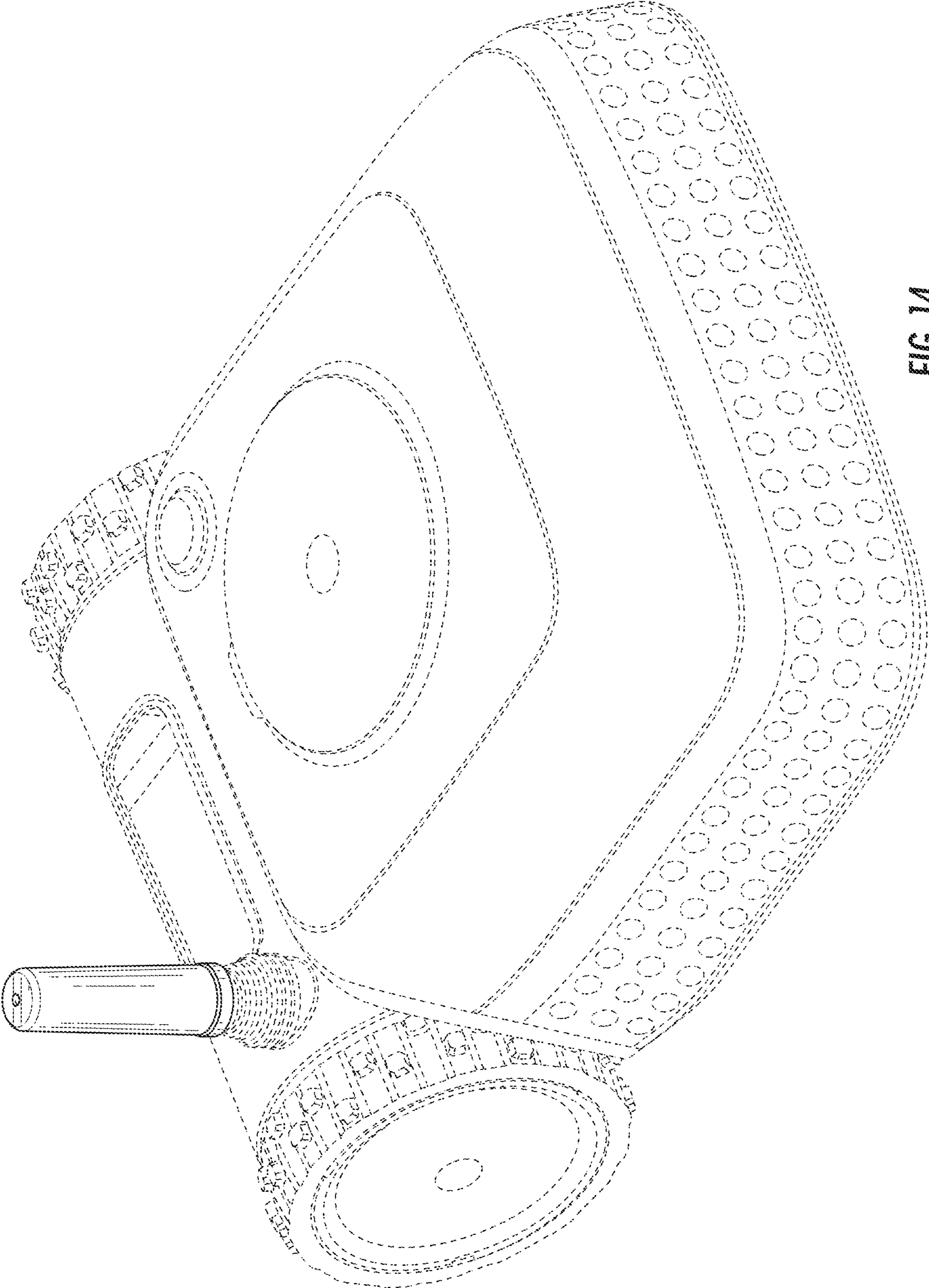


FIG. 14

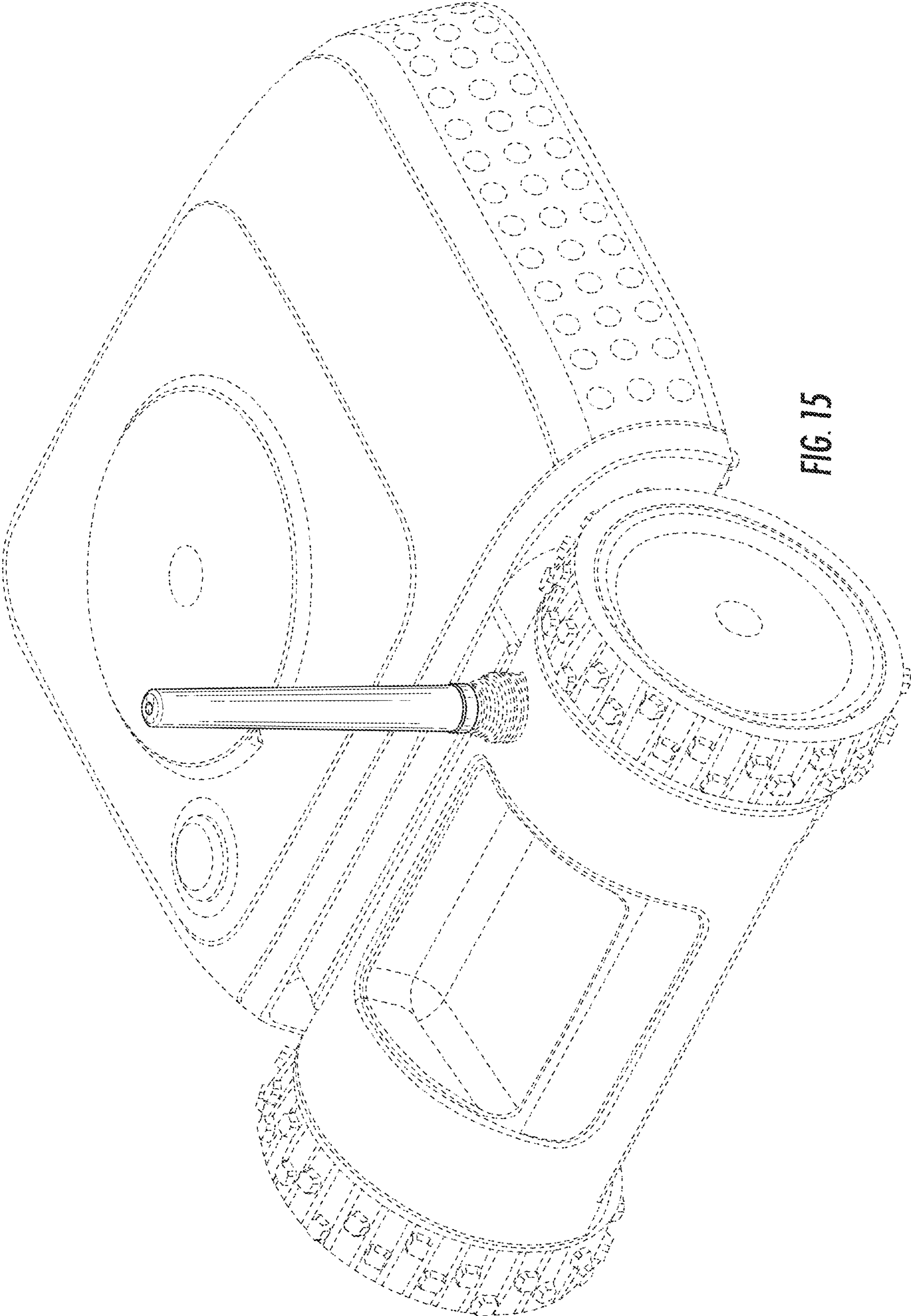


FIG. 15

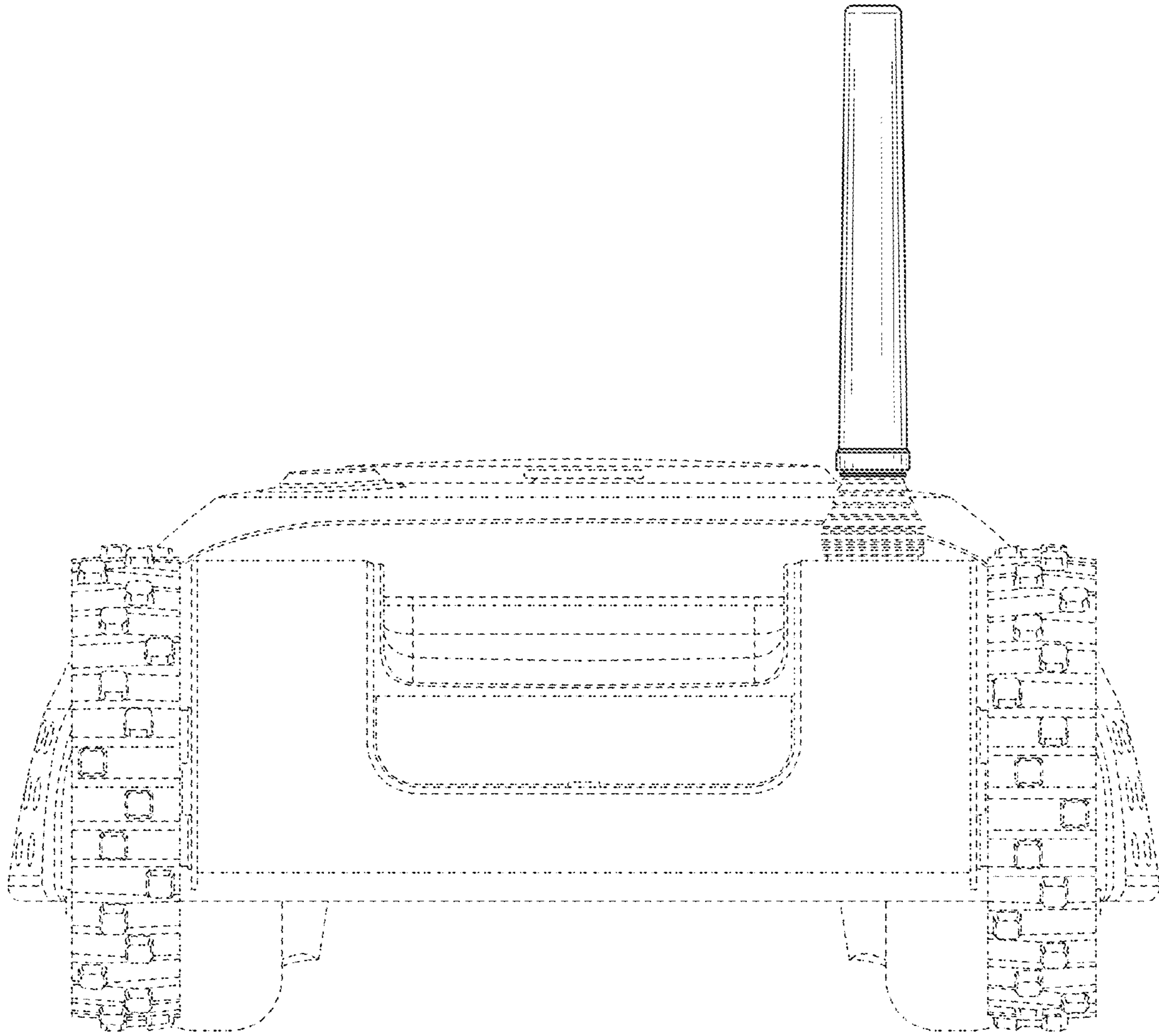


FIG. 16

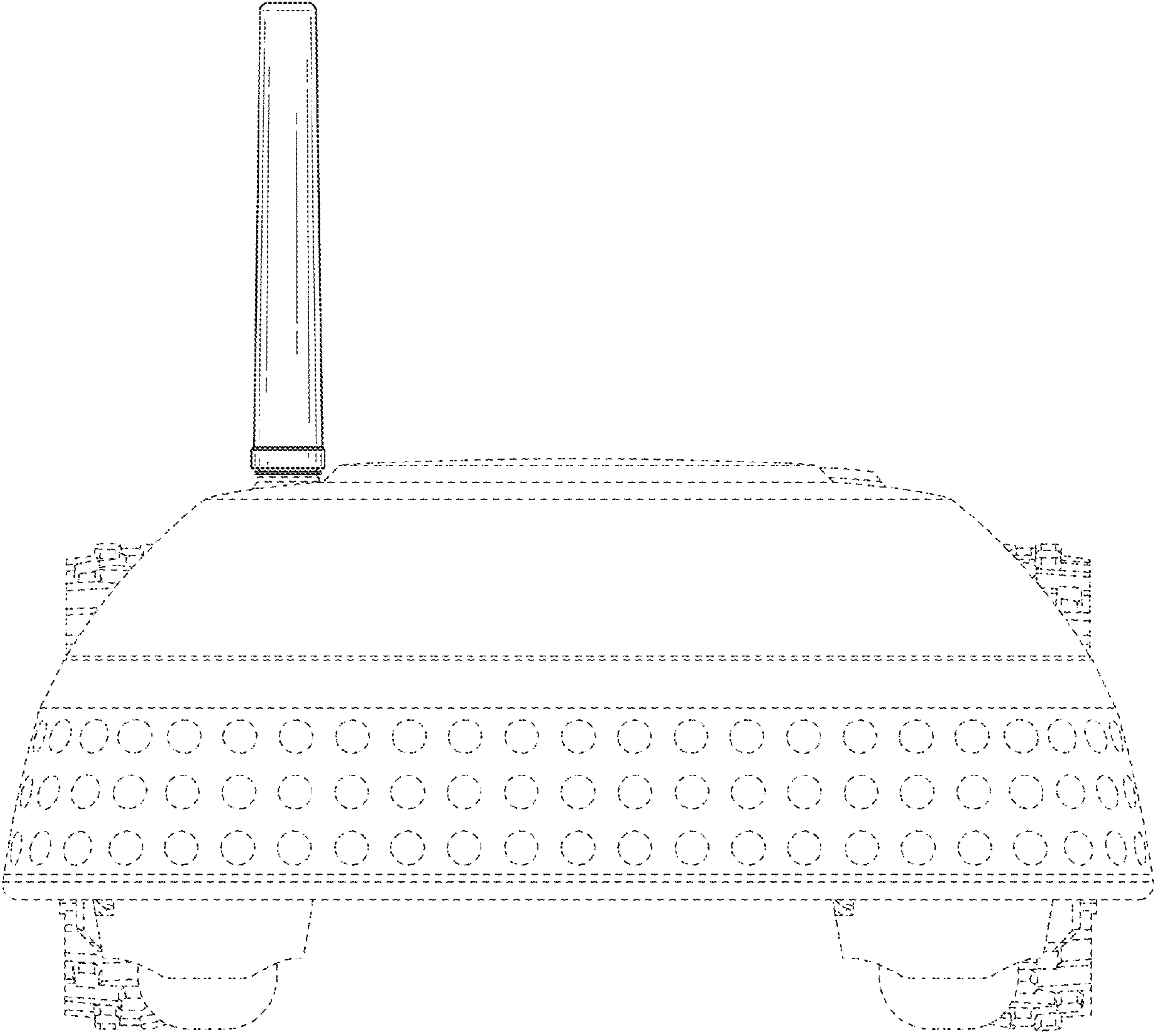


FIG. 17

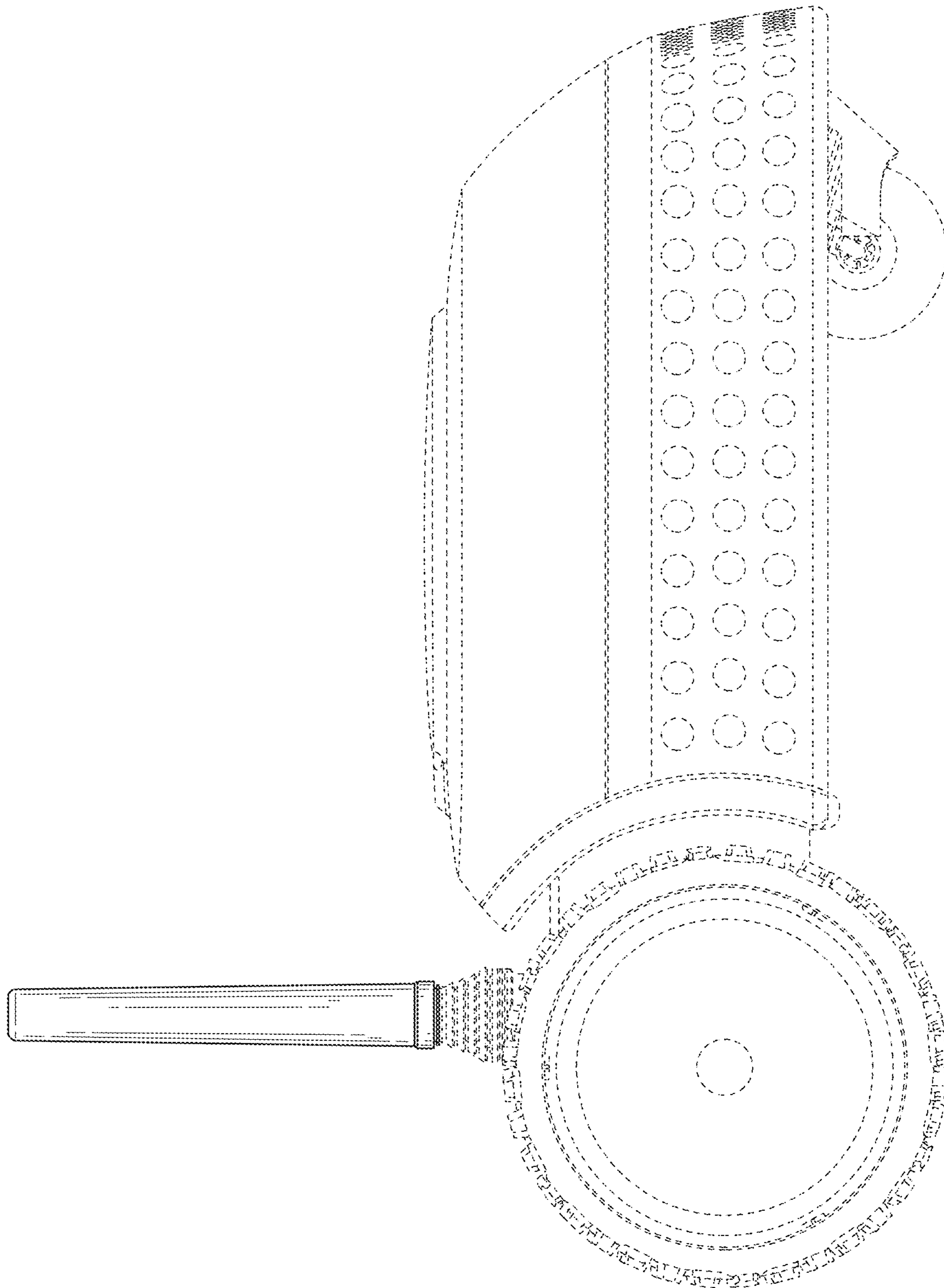


FIG. 18

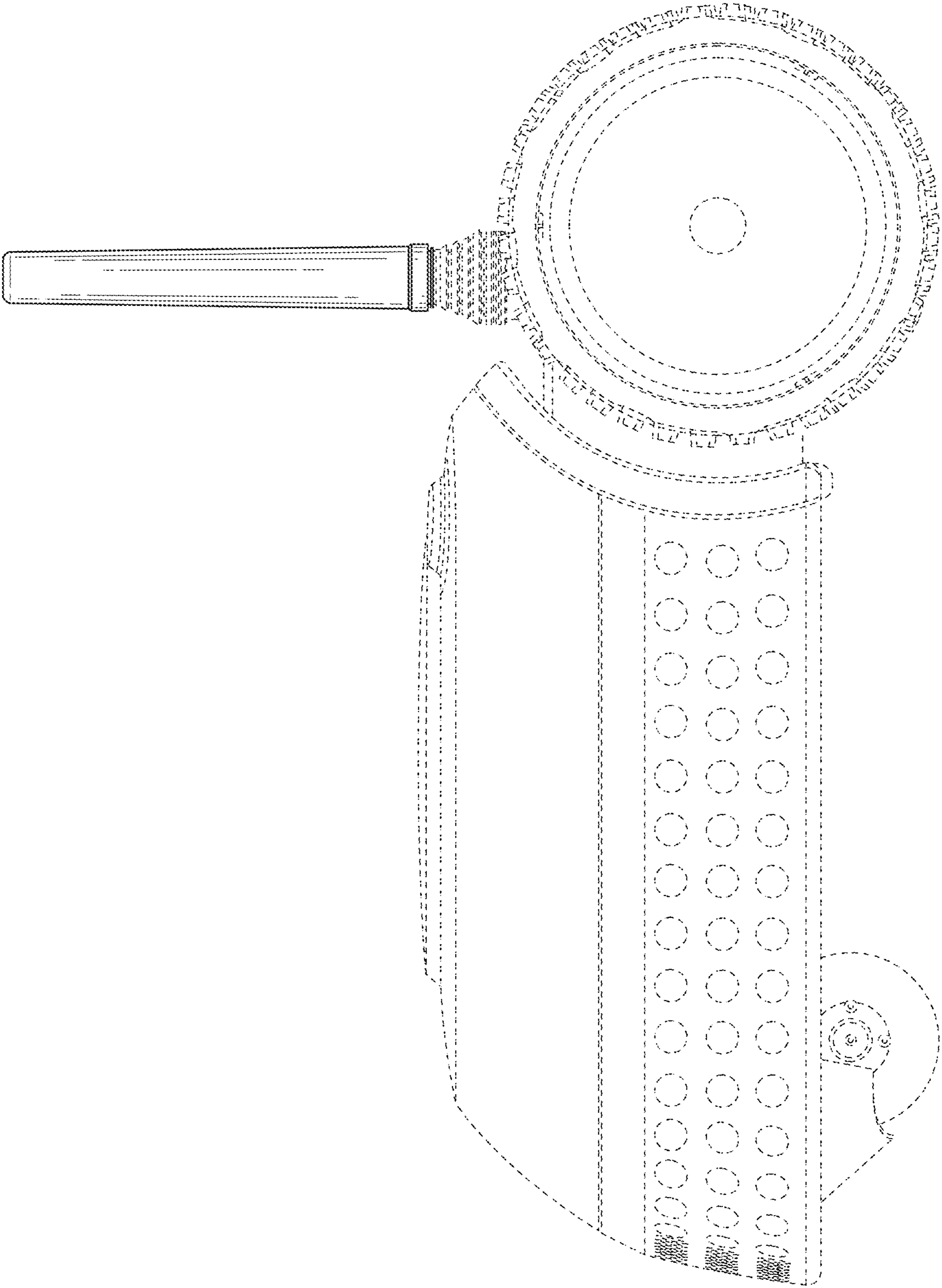


FIG. 19

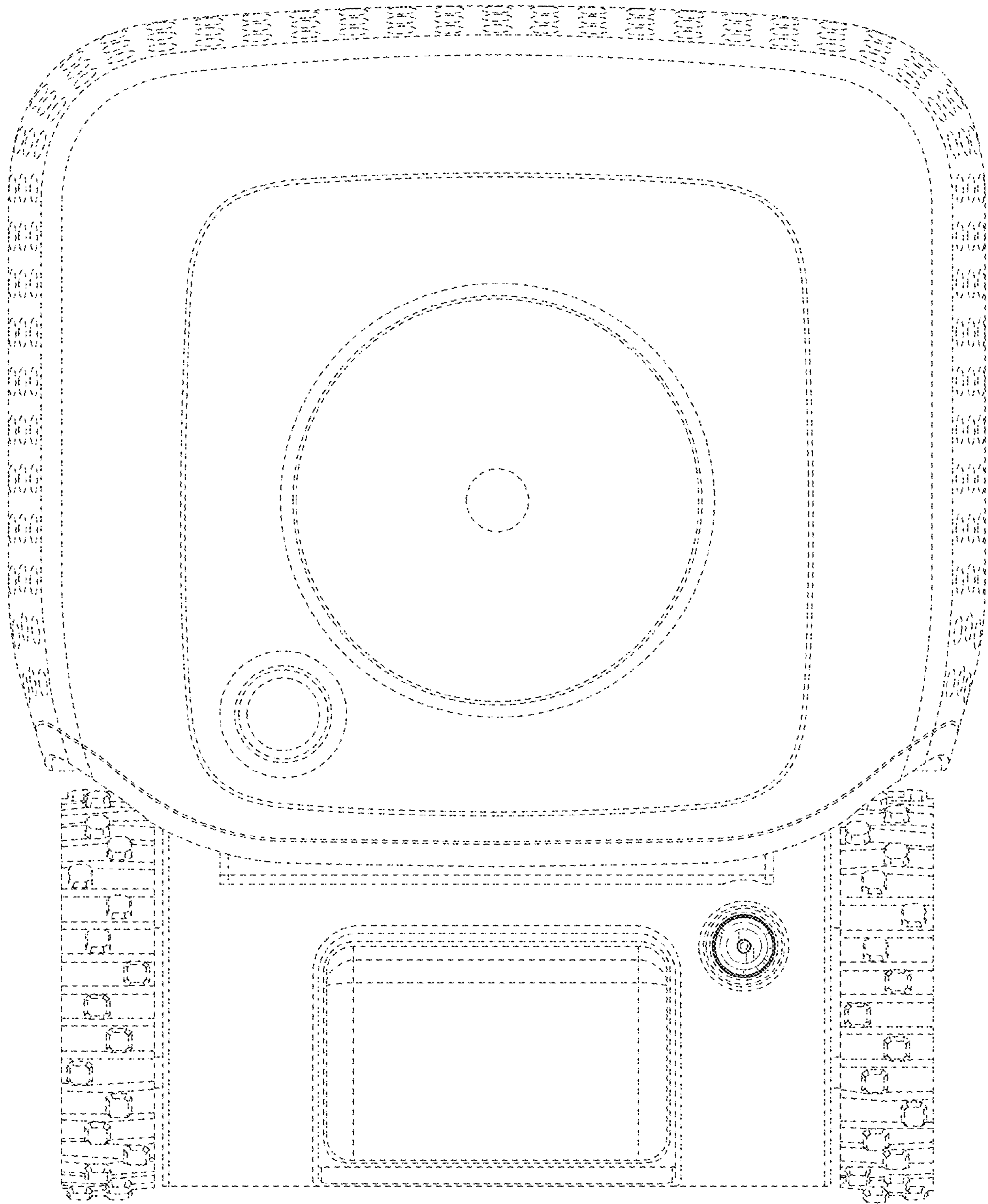


FIG. 20

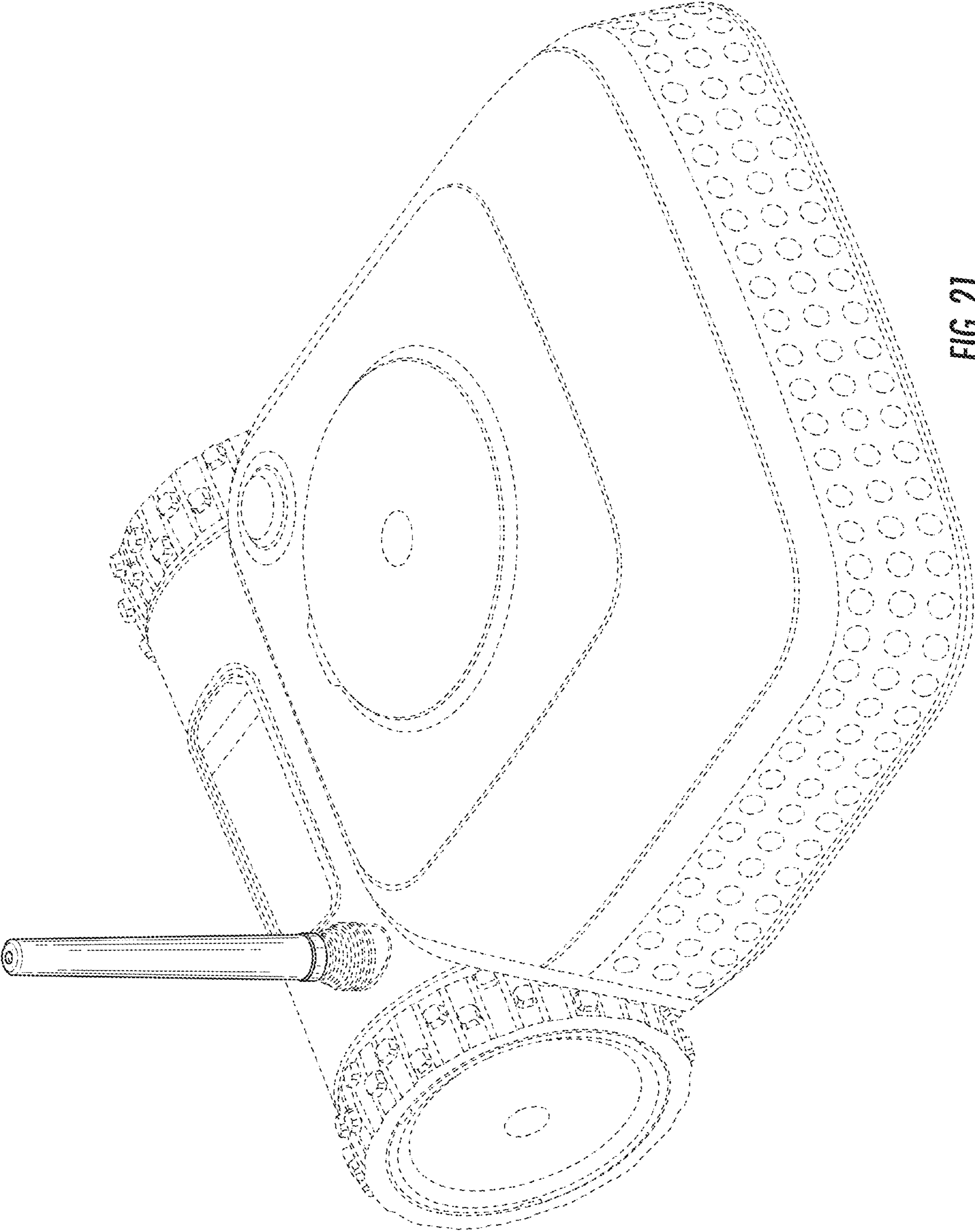


FIG. 21