



US00D906372S

(12) **United States Design Patent**  
**Marini**

(10) **Patent No.:** **US D906,372 S**  
(45) **Date of Patent:** **\*\* Dec. 29, 2020**

(54) **TIRE SEALING AND INFLATION DEVICE**

(71) Applicant: **TEK Global S.r.l.**, Pesaro (IT)

(72) Inventor: **Maurizio Marini**, Pesaro (IT)

(73) Assignee: **TEK Global S.r.l.**, Pesaro (IT)

(\*\*) Term: **15 Years**

(21) Appl. No.: **29/677,620**

(22) Filed: **Jan. 22, 2019**

4,389,166 A	6/1983	Harvey et al.	
D278,244 S	4/1985	Boetger	
D295,754 S *	5/1988	Wang .....	D15/9
D362,669 S *	9/1995	Conroy .....	D15/7
6,283,172 B1 *	9/2001	Thurner .....	B29C 73/166
			141/114
6,345,650 B1 *	2/2002	Paasch .....	B29C 73/166
			141/100
D507,799 S	7/2005	Chen	
D509,838 S *	9/2005	Wong .....	D15/199
D544,895 S *	6/2007	Izumoto .....	D15/199
D557,299 S *	12/2007	Marini .....	D15/199
D574,866 S *	8/2008	Yoshida .....	D15/199
D613,320 S *	4/2010	Marini .....	D15/199

(Continued)

**Related U.S. Application Data**

(62) Division of application No. 35/504,539, filed on Jun. 28, 2017 (U.S. filing date under 35 U.S.C. 384), and having an international filing date of Jun. 28, 2017, now Pat. No. Des. 873,863.

(51) **LOC (12) Cl.** ..... **15-02**

(52) **U.S. Cl.**  
USPC ..... **D15/9**  
CPC ..... **B29C 73/166** (2013.01)

(58) **Field of Classification Search**  
USPC ..... D8/105, 499; D15/7-9, 199; 141/38, 67, 141/100; D23/231, 232, 225  
CPC ..... B29C 73/166; F02M 37/14; F02M 37/04; F04B 53/92; F04B 1/005; F04D 13/05; F04D 29/22; F04D 29/046; F04D 29/2266

See application file for complete search history.

(56) **References Cited**

**U.S. PATENT DOCUMENTS**

4,187,058 A *	2/1980	Fish .....	B60C 23/10
			141/98
4,284,451 A *	8/1981	Conley .....	B29C 73/10
			156/97
4,365,514 A *	12/1982	Ho .....	G01M 17/025
			73/40.5 A
4,372,366 A *	2/1983	Dugger .....	G01M 17/025
			157/13

**OTHER PUBLICATIONS**

“U.S. Appl. No. 35/504,539, Non Final Office Action dated Apr. 3, 2019”, 7 pgs.

(Continued)

*Primary Examiner* — Richard E Chilcot

(74) *Attorney, Agent, or Firm* — Schwegman Lundberg & Woessner, P.A.

(57) **CLAIM**

The ornamental design for a tire sealing and inflation device, as shown and described.

**DESCRIPTION**

FIG. 1 : Perspective view

FIG. 2 : Top view

FIG. 3 : Bottom view

FIG. 4 : Right view

FIG. 5 : Left view

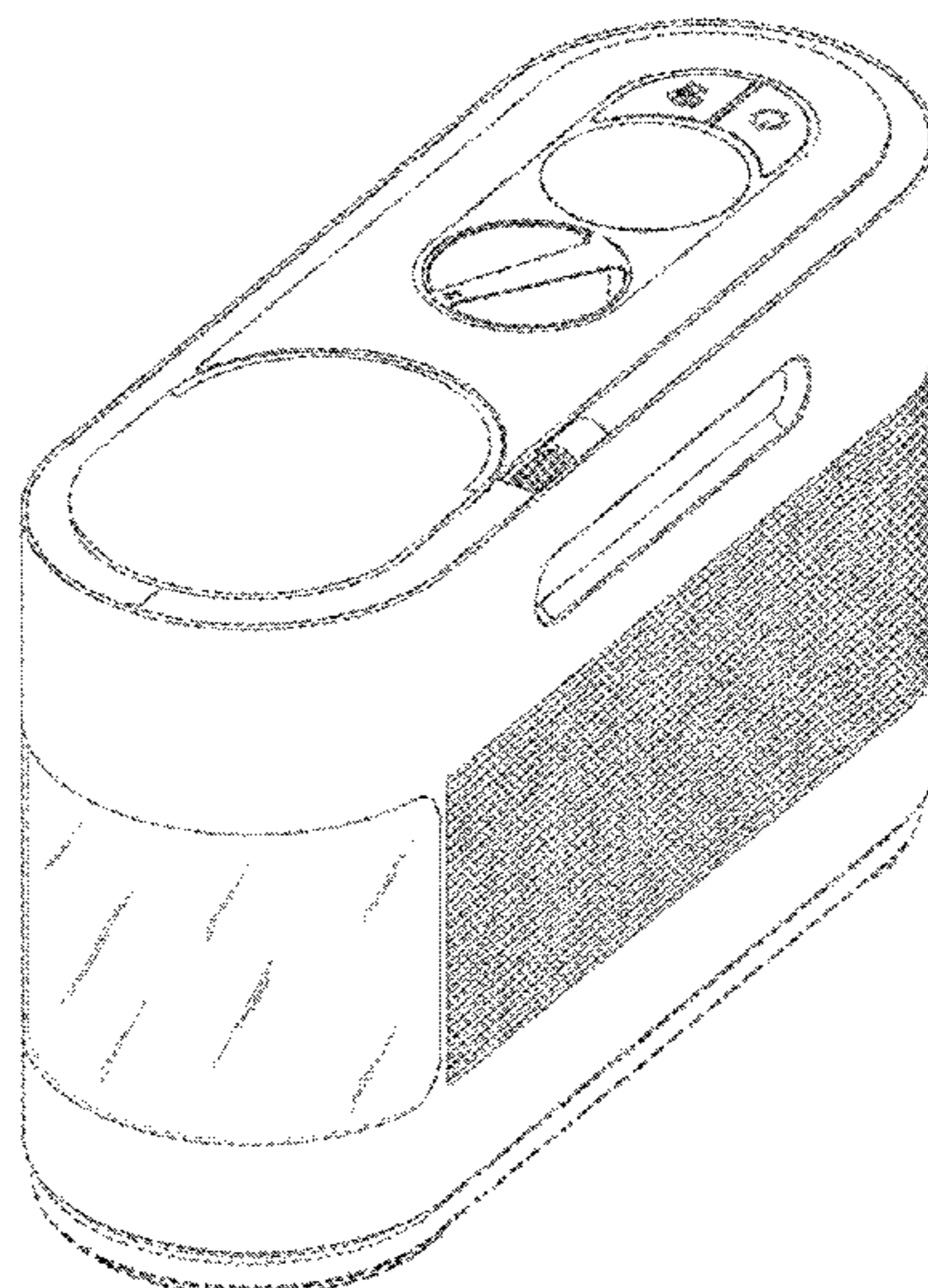
FIG. 6 : Front view; and,

FIG. 7 : Back view

Those portions of the article not shown form no part of the claimed design.

The broken lines in the figures are illustrative of features that form no part of the claimed design.

**1 Claim, 7 Drawing Sheets**



(56)

References Cited

U.S. PATENT DOCUMENTS

D645,056 S \* 9/2011 Marini ..... D15/9  
 D647,119 S \* 10/2011 Piet ..... D15/199  
 D647,924 S 11/2011 Upham  
 8,115,615 B2 \* 2/2012 Miller ..... G07C 5/006  
 340/457  
 D656,962 S \* 4/2012 Boldsen ..... D15/7  
 D657,383 S \* 4/2012 Wang ..... D15/7  
 8,146,622 B2 \* 4/2012 Guan ..... B60C 29/062  
 141/38  
 D663,747 S \* 7/2012 Marini ..... D15/9  
 D664,997 S \* 8/2012 Helgesson ..... D15/9.1  
 D667,846 S \* 9/2012 Helgesson ..... D15/9.2  
 8,276,624 B2 \* 10/2012 Steele ..... B60C 29/062  
 141/38  
 D670,313 S 11/2012 Ohm et al.  
 D671,560 S 11/2012 Ohm et al.  
 D677,284 S \* 3/2013 Helgesson ..... D15/9.2  
 D679,291 S 4/2013 Ohm et al.  
 D682,319 S \* 5/2013 Collins ..... D15/9.1  
 8,517,760 B2 \* 8/2013 Steele ..... B60S 5/046  
 439/501  
 D694,267 S 11/2013 Ohm et al.  
 D718,338 S \* 11/2014 Helgesson ..... D15/9.2  
 8,981,921 B2 \* 3/2015 Miller ..... G07C 5/085  
 340/457

D746,875 S \* 1/2016 Helgesson ..... D15/9.3  
 D751,120 S \* 3/2016 Spindler ..... D15/9  
 D751,121 S \* 3/2016 Spindler ..... D15/9  
 9,457,772 B2 \* 10/2016 Paasch ..... B29C 73/166  
 D800,788 S 10/2017 Petersen  
 D814,524 S 4/2018 Costle et al.  
 D823,346 S 7/2018 Petersen  
 D824,961 S \* 8/2018 Helgesson ..... D15/9.1  
 D832,893 S \* 11/2018 Petrelli ..... D15/9  
 D834,069 S \* 11/2018 Kan ..... D15/9  
 D835,676 S \* 12/2018 Marini ..... D15/7  
 D838,746 S 1/2019 Gan  
 D842,354 S \* 3/2019 Marini ..... D15/199  
 D886,874 S \* 6/2020 Kan ..... D15/9  
 2004/0159365 A1 \* 8/2004 Cowan ..... B29C 73/166  
 141/38  
 2004/0221439 A1 \* 11/2004 Villarreal ..... B66F 3/247  
 29/407.08  
 2008/0029181 A1 \* 2/2008 Marini ..... B29C 73/025  
 141/38

OTHER PUBLICATIONS

“U.S. Appl. No. 35/504,539, Response to Restriction Requirement dated Nov. 19, 2018 filed Jan. 22, 2019”, 6 pgs.  
 “U.S. Appl. No. 35/504,539, Restriction Requirement dated Nov. 19, 2018”, 6 pgs.

\* cited by examiner



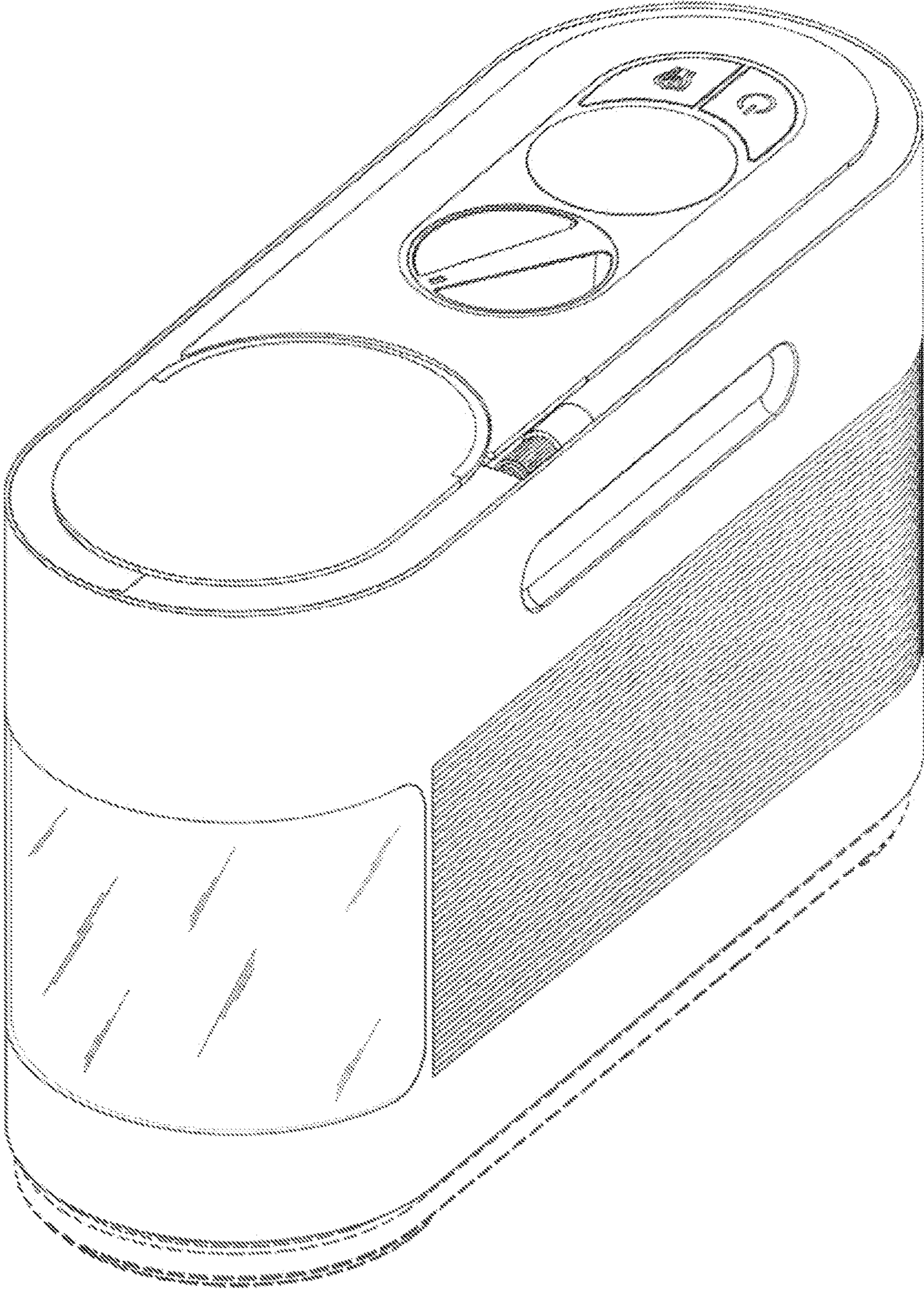


Fig. 1

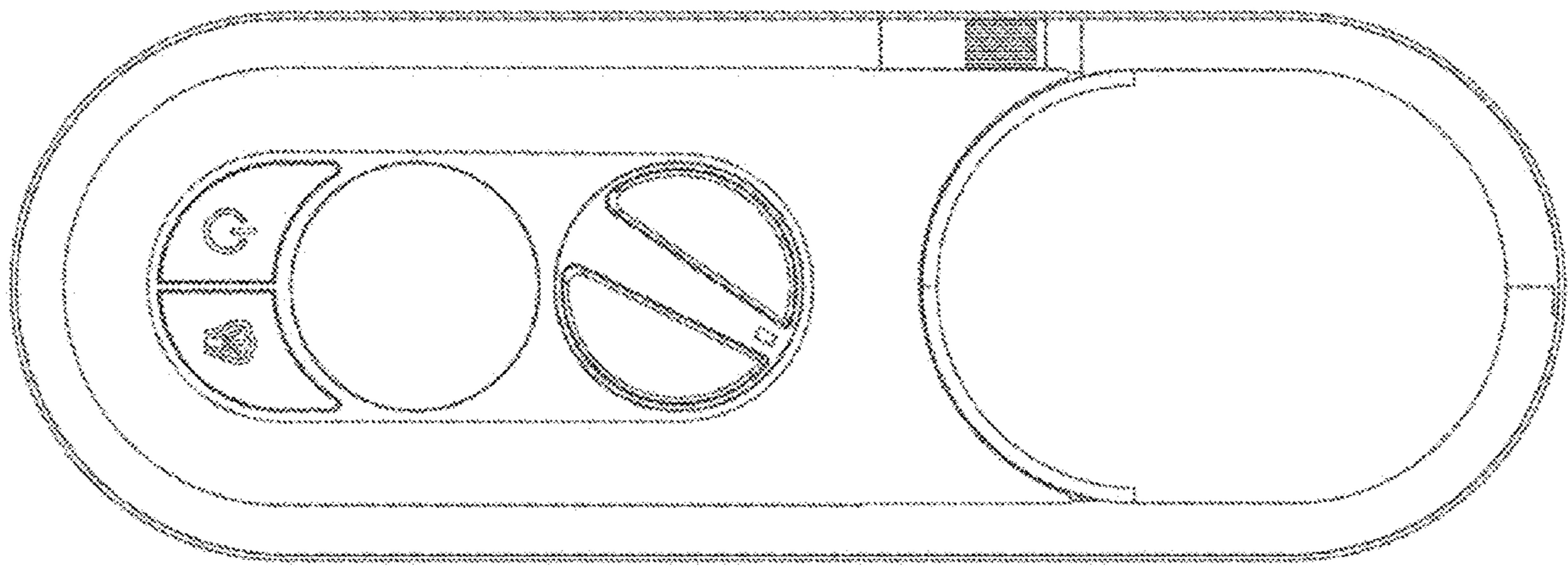


Fig. 2



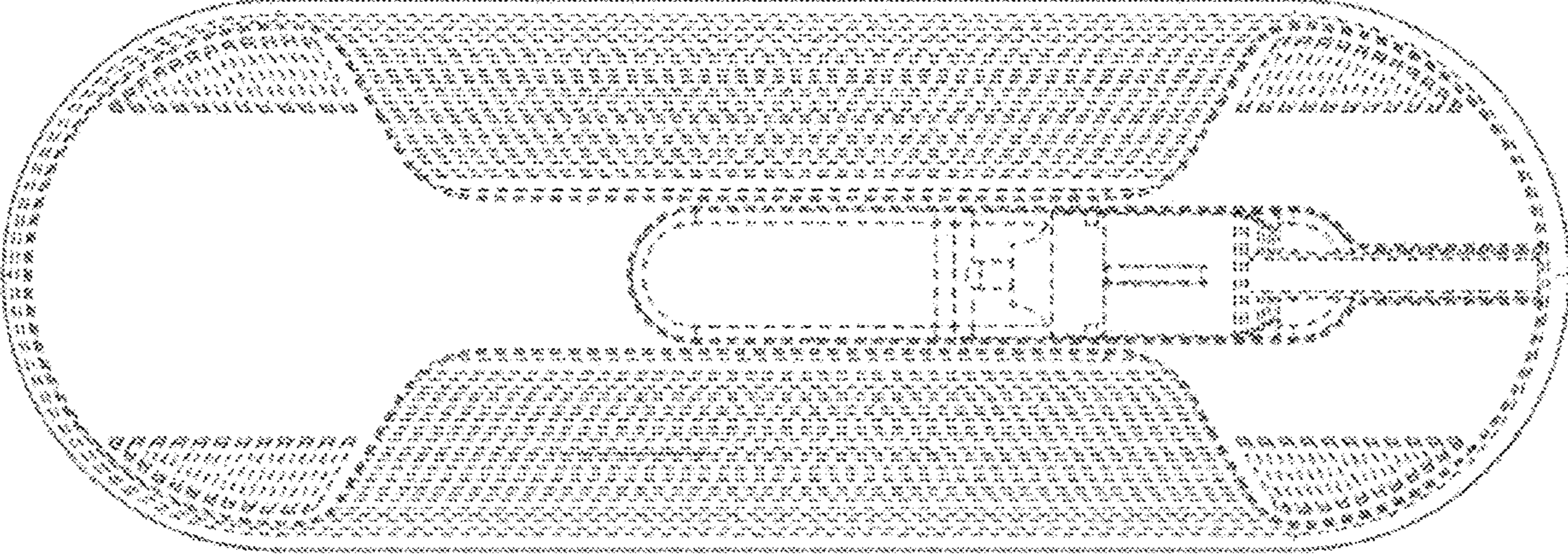


Fig. 3

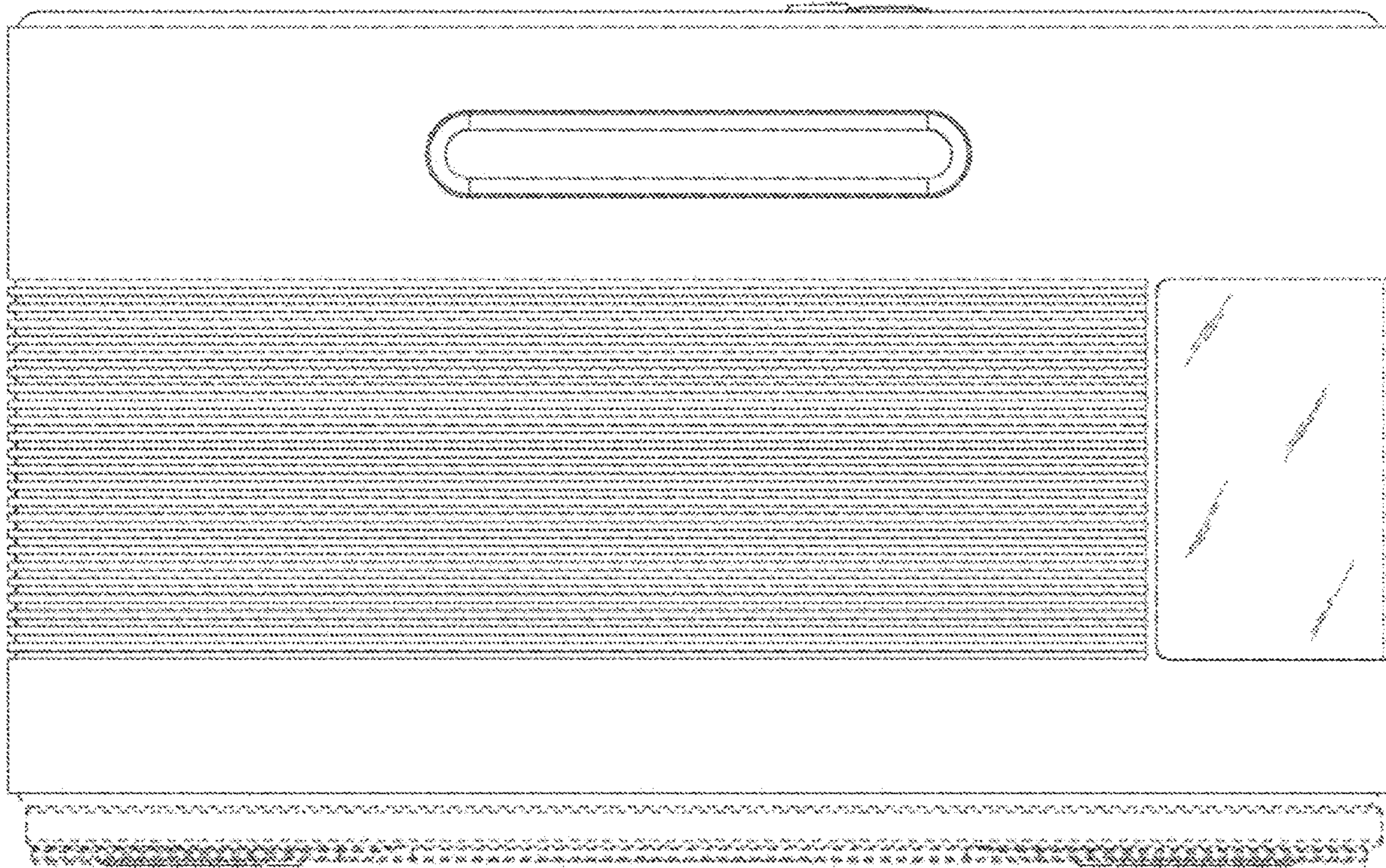


Fig. 4



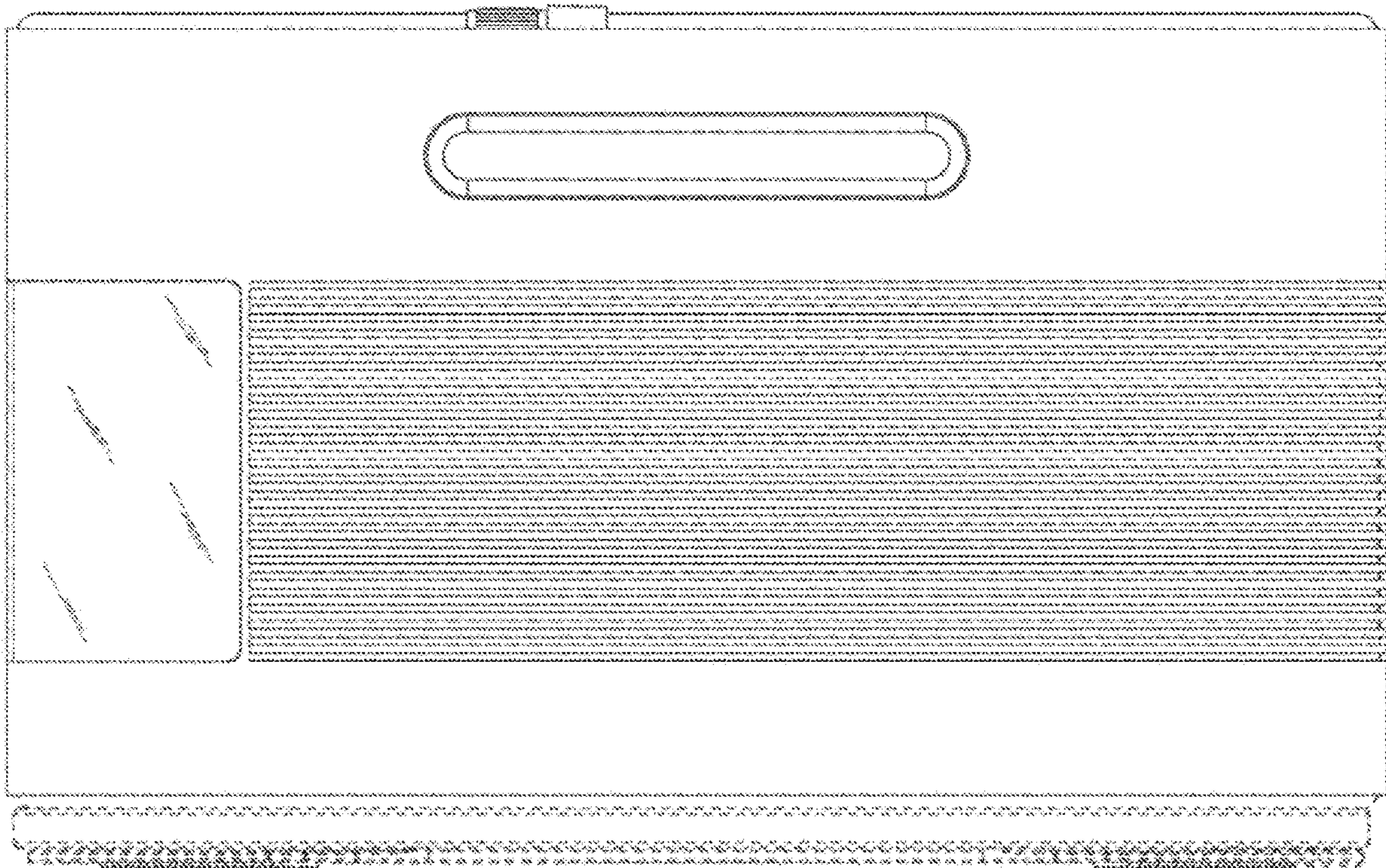


Fig. 5

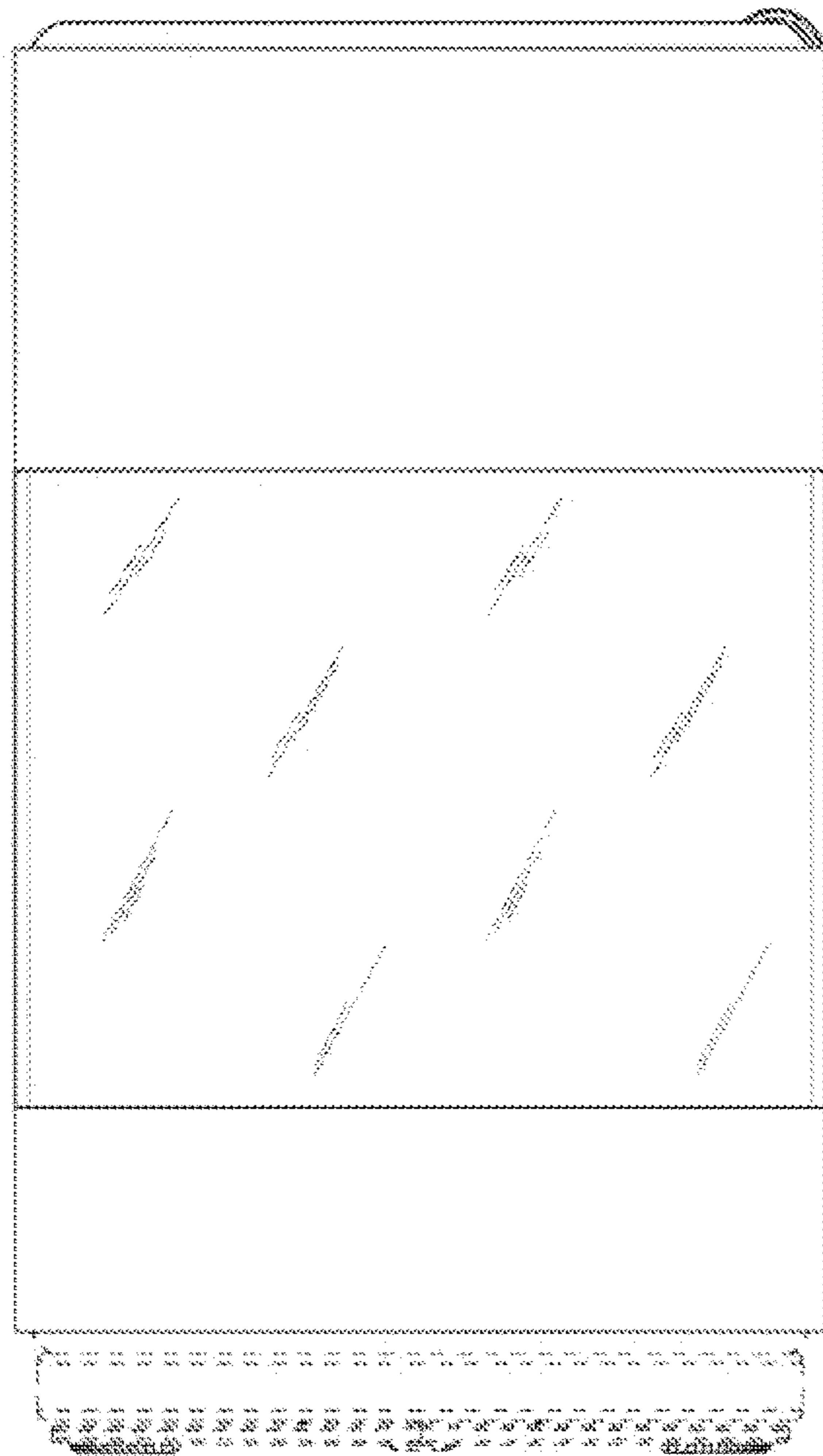


Fig. 6



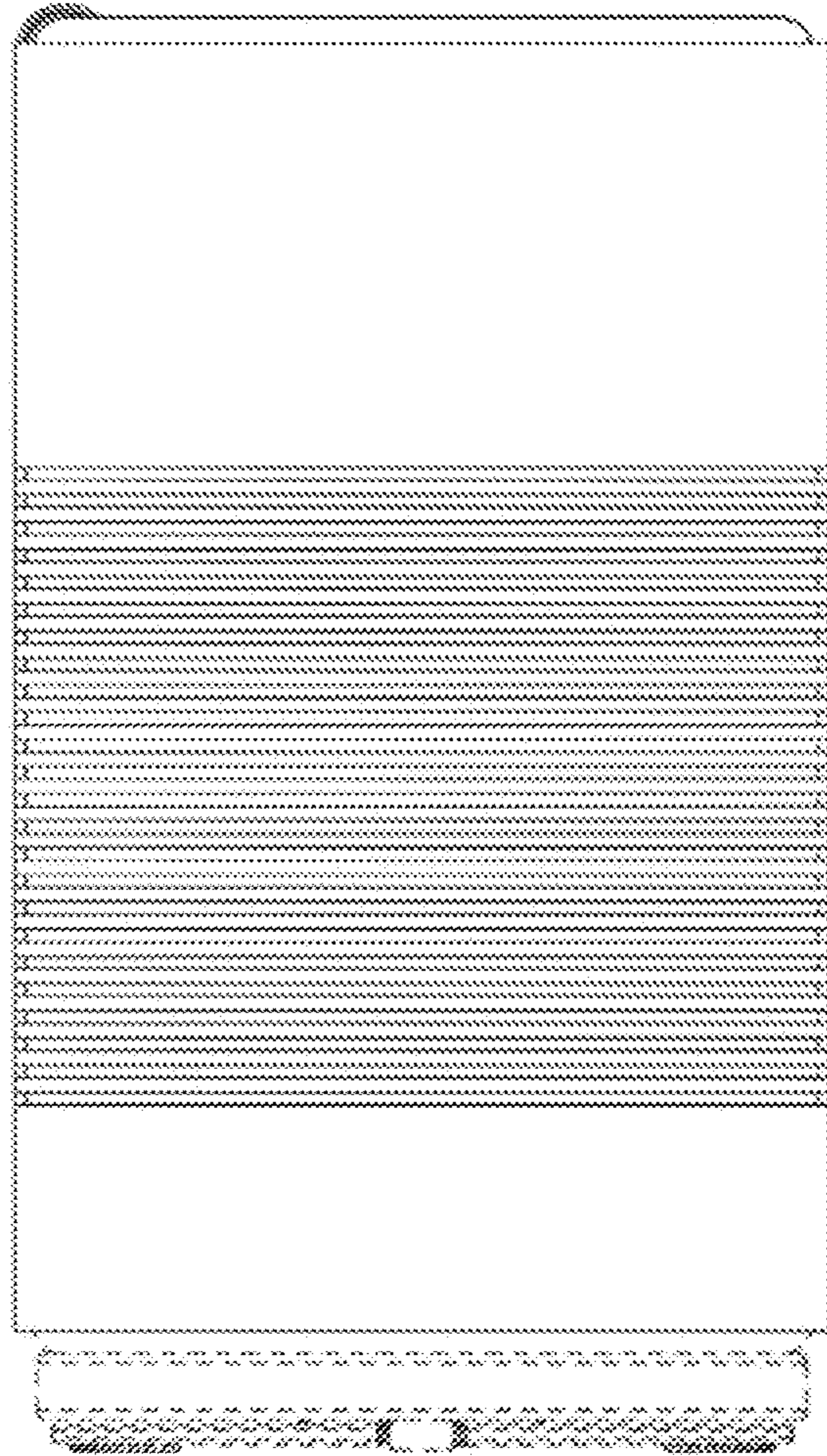


Fig. 7