



US00D906371S

(12) **United States Design Patent** (10) **Patent No.:** **US D906,371 S**  
**Vaidyanathan et al.** (45) **Date of Patent:** **\*\* Dec. 29, 2020**

- (54) **PRESSURE REGULATOR BLOCK**
- (71) Applicant: **Transportation IP Holdings, LLC**,  
Norwalk, CT (US)
- (72) Inventors: **Krishnamurthy Vaidyanathan**,  
Bangalore (IN); **Bharath Chandrashekar**, Bangalore (IN);  
**Ramprasad Shetti**, Bangalore (IN);  
**Radhish Balan Sulochana**, Bangalore (IN);  
**Mahantesh Hosur**, Bangalore (IN)
- (73) Assignee: **TRANSPORTATION IP HOLDINGS, LLC**,  
Norwalk, CT (US)
- (\*\*) Term: **15 Years**
- (21) Appl. No.: **29/653,083**
- (22) Filed: **Jun. 12, 2018**
- (51) **LOC (12) Cl.** ..... **15-01**
- (52) **U.S. Cl.**  
USPC ..... **D15/5**
- (58) **Field of Classification Search**  
USPC ..... D15/5; D23/233, 237, 245, 259, 269;  
D10/121; D12/218  
CPC ... B29C 44/1271; B29C 44/086; B60T 17/04;  
F16H 61/30; F16H 61/0267  
See application file for complete search history.

(56) **References Cited**

**U.S. PATENT DOCUMENTS**

- D297,256 S \* 8/1988 Schwarz ..... D23/233  
5,709,247 A \* 1/1998 Hutton ..... F15B 13/0814  
137/597  
D398,375 S \* 9/1998 Lynch ..... D23/245  
D406,320 S \* 3/1999 Lynch ..... D23/245  
D414,844 S \* 10/1999 Lynch ..... D23/245  
D427,664 S \* 7/2000 Yano ..... D23/233  
D433,481 S \* 11/2000 Kaneko ..... D23/233

- D440,632 S \* 4/2001 Fukuda ..... D23/233  
6,264,113 B1 \* 7/2001 Dingler ..... B05B 7/0815  
239/11  
6,866,065 B2 \* 3/2005 Camozzi ..... F15B 13/0402  
137/625.69  
D518,147 S \* 3/2006 Fukushima ..... D23/233  
D520,520 S \* 5/2006 Nimberger ..... D15/5  
D521,596 S \* 5/2006 Nimberger ..... D15/5  
D521,597 S \* 5/2006 Nimberger ..... D23/233  
D536,422 S \* 2/2007 Nimberger ..... D15/5  
D544,499 S \* 6/2007 Nimberger ..... D15/5  
D578,548 S \* 10/2008 Bohlen ..... D15/5  
D578,549 S \* 10/2008 Nimberger ..... D15/5  
D583,832 S \* 12/2008 Nimberger ..... D15/5  
D584,319 S \* 1/2009 Nimberger ..... D15/5  
D615,619 S \* 5/2010 Roys ..... D23/233  
D619,219 S \* 7/2010 Waymire ..... D23/237  
D731,620 S \* 6/2015 Galle ..... D23/233

(Continued)

*Primary Examiner* — Sheryl Lane

*Assistant Examiner* — Mark T. Philipps

(74) *Attorney, Agent, or Firm* — McCoy Russell LLP

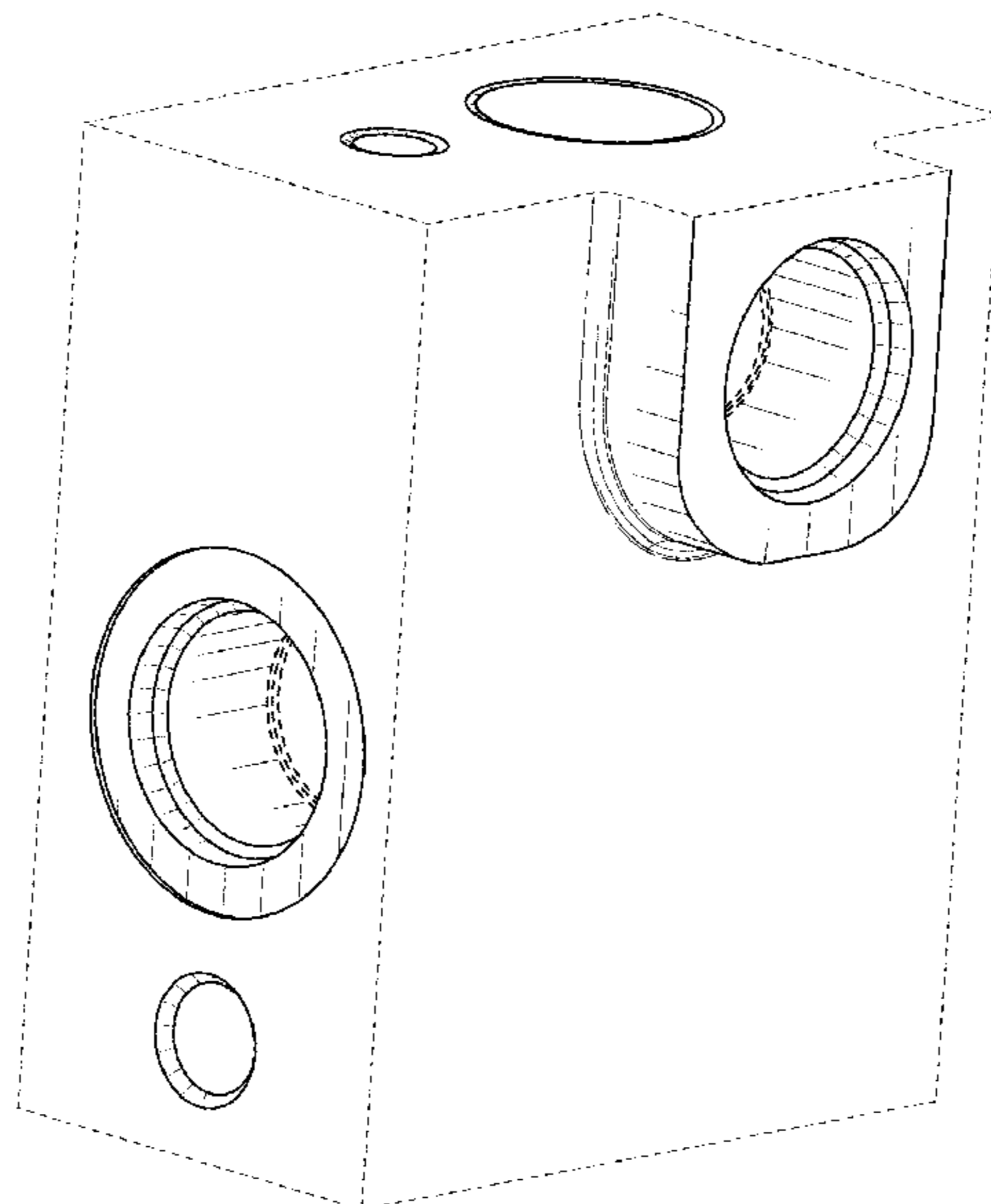
(57) **CLAIM**

The ornamental design for a pressure regulator block, as shown and described.

**DESCRIPTION**

FIG. 1 is a perspective view of a pressure regulator block according to the invention;  
FIG. 2 is a second perspective view thereof;  
FIG. 3 is a front view thereof;  
FIG. 4 is a rear view thereof;  
FIG. 5 is a left view thereof;  
FIG. 6 is a right view thereof;  
FIG. 7 is a top view thereof; and,  
FIG. 8 is a bottom view thereof.  
The broken line showing of a pressure regulator block is included for the purpose of illustrating portions of the article and forms no part of the claimed design.

**1 Claim, 5 Drawing Sheets**



(56)

**References Cited**

U.S. PATENT DOCUMENTS

D868,218 S \* 11/2019 Sonerud ..... D23/259  
2003/0145886 A1 \* 8/2003 Paul ..... G05D 16/2026  
137/98  
2019/0322264 A1 \* 10/2019 Weh ..... F15B 13/0814

\* cited by examiner

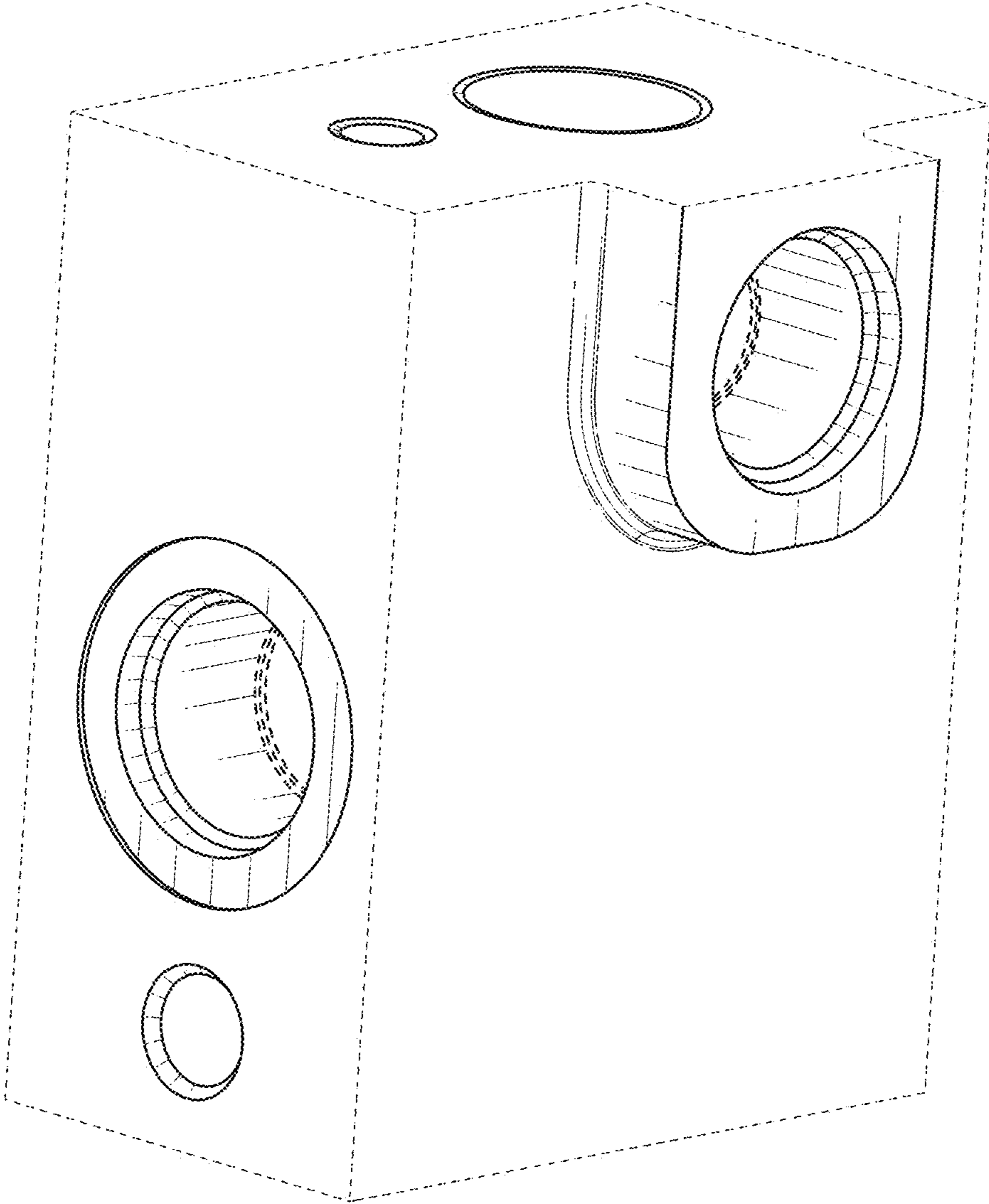


FIG. 1

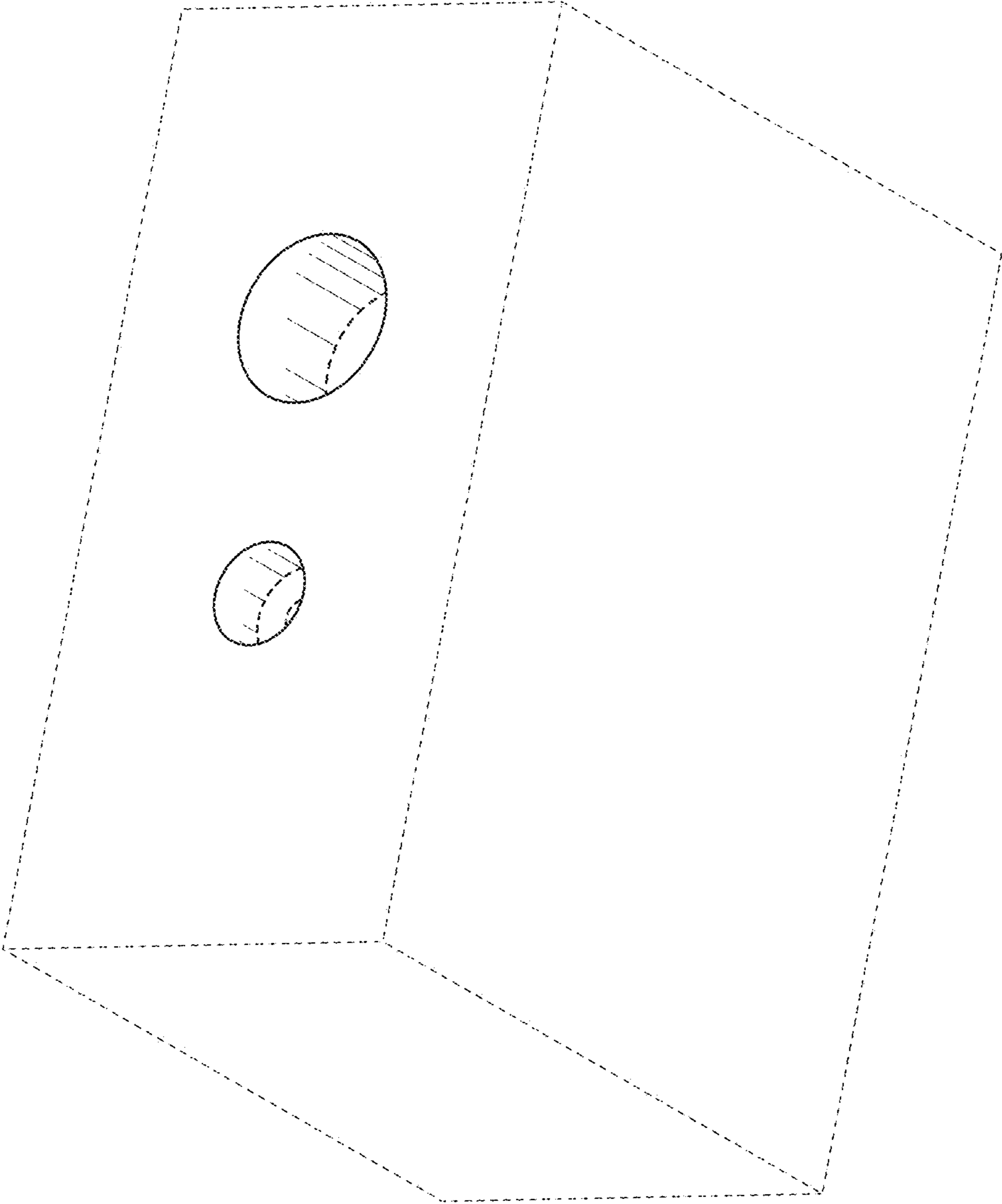


FIG. 2

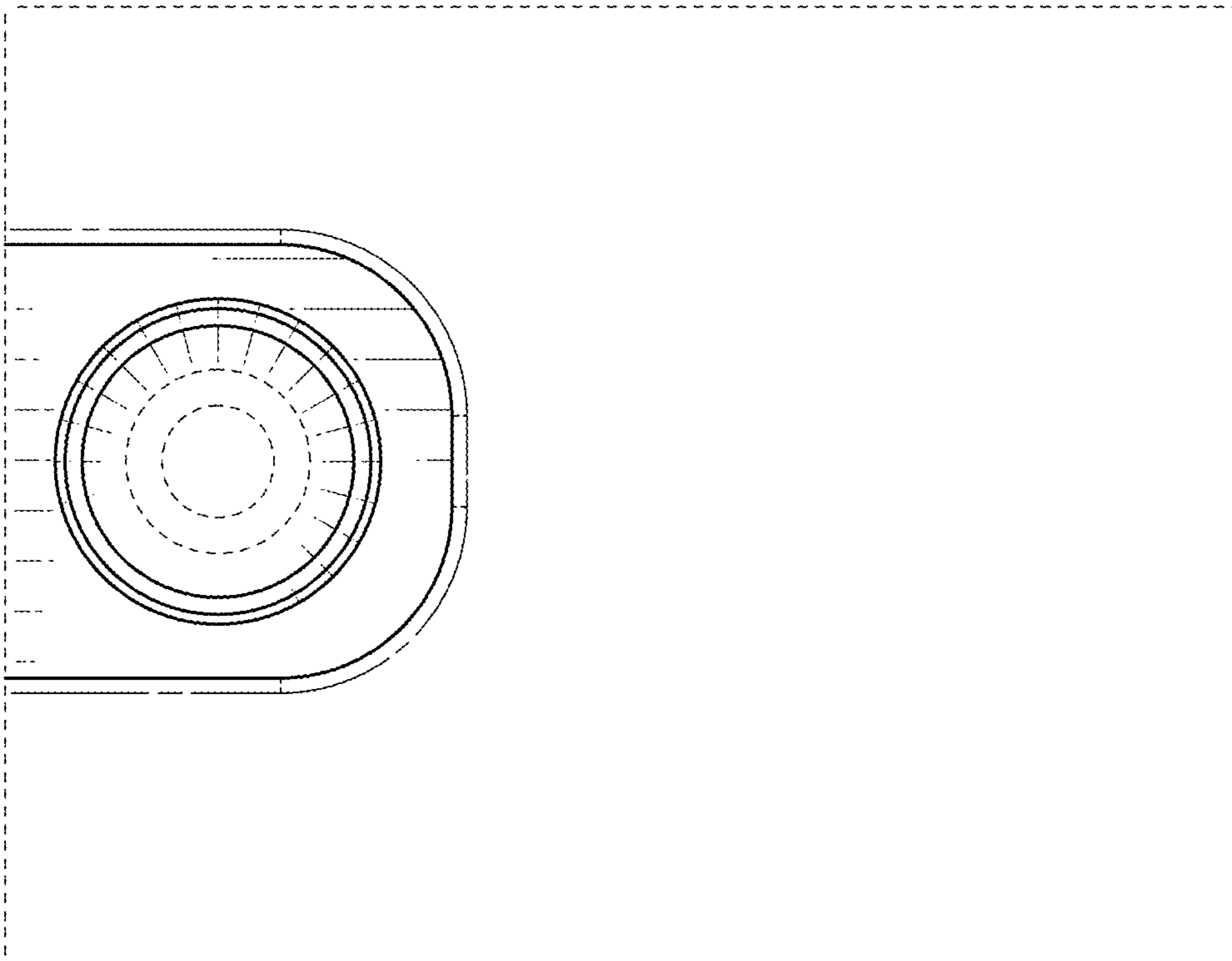


FIG. 3



FIG. 4

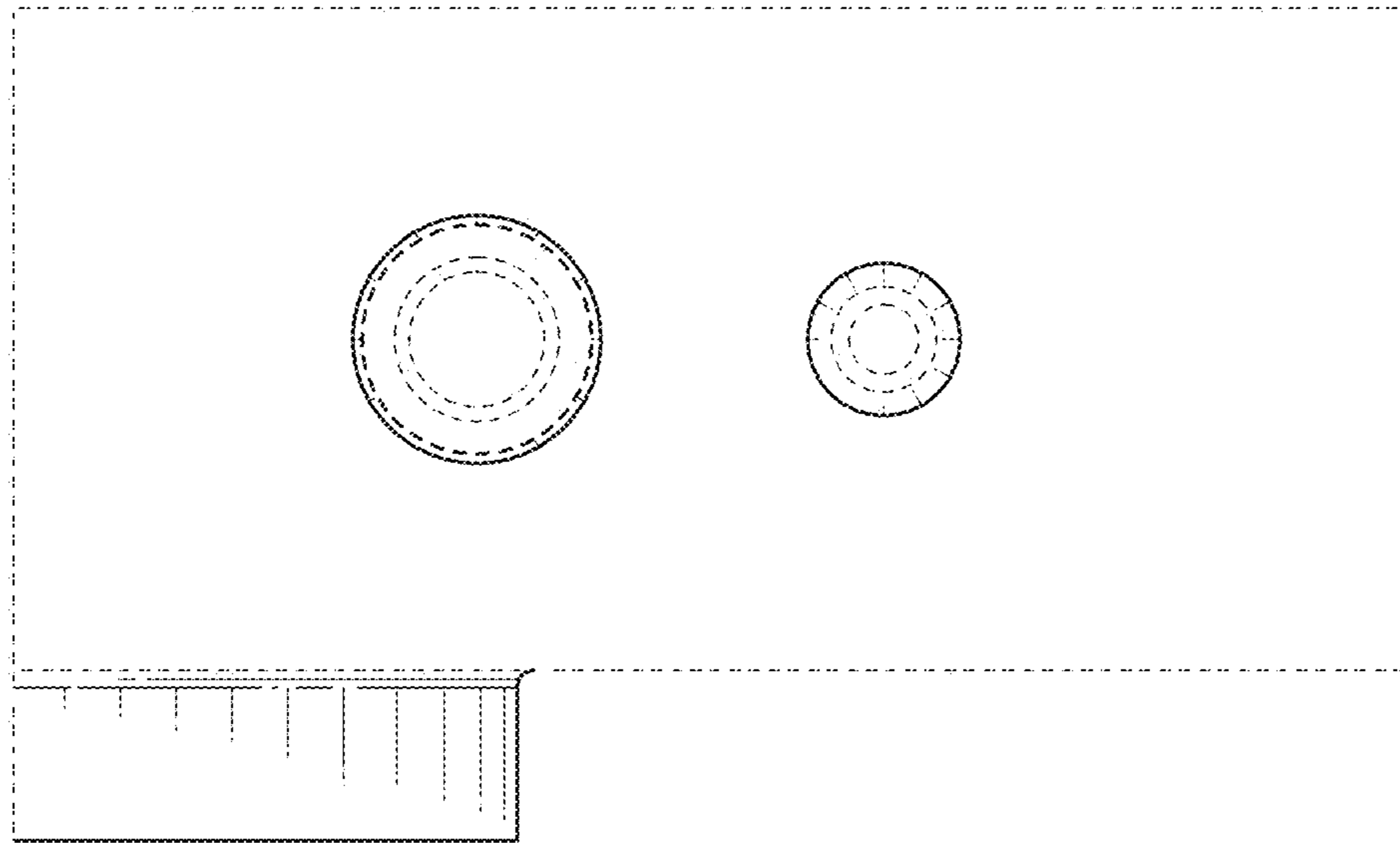


FIG. 5

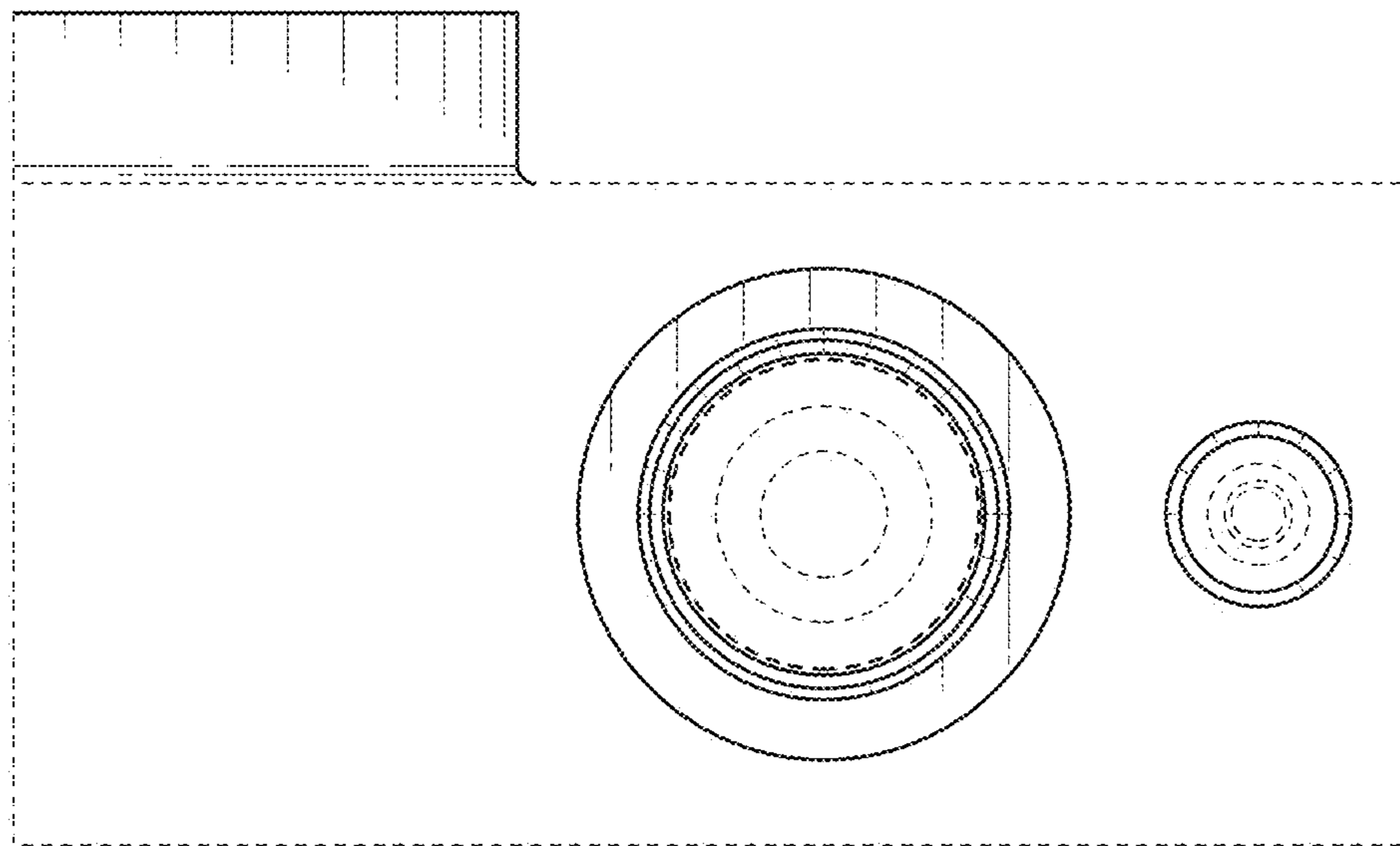


FIG. 6

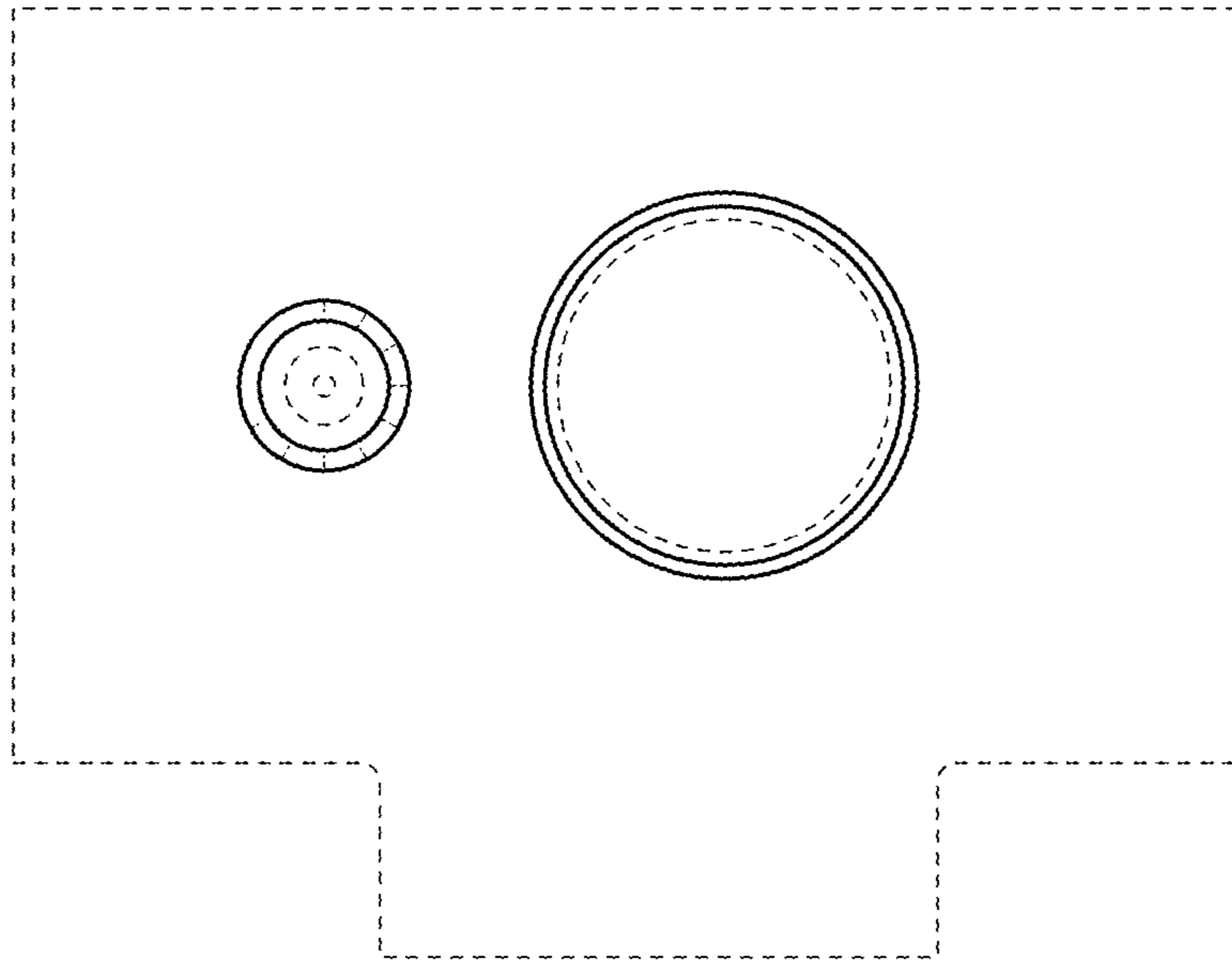


FIG. 7

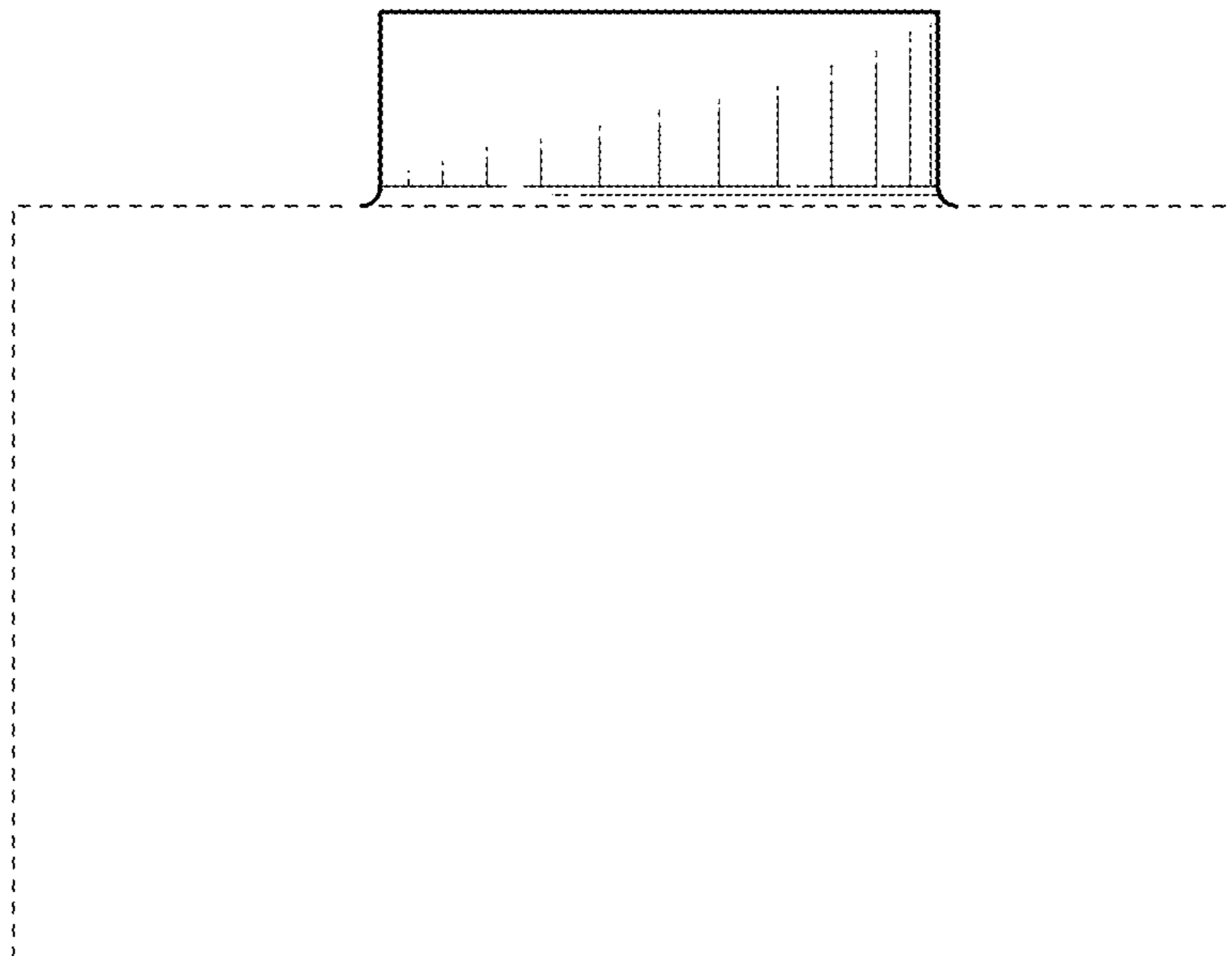


FIG. 8