



US00D906347S

(12) **United States Design Patent** (10) **Patent No.:** **US D906,347 S**
Yang (45) **Date of Patent:** **** Dec. 29, 2020**

(54) **COMPUTER STAND**
(71) Applicant: **SHENZHEN GREEN GIANT ENERGY TECHNOLOGY DEVELOPMENT CO., LTD,** Shenzhen (CN)
(72) Inventor: **Xiaoming Yang,** Longyan (CN)
(73) Assignee: **SHENZHEN GREEN GIANT ENERGY TECHNOLOGY DEVELOPMENT CO., LTD,** Shenzhen (CN)
(**) Term: **15 Years**
(21) Appl. No.: **29/713,924**
(22) Filed: **Nov. 19, 2019**
(51) **LOC (12) Cl.** **08-07**
(52) **U.S. Cl.**
USPC **D14/447**
(58) **Field of Classification Search**
USPC D14/447, 432, 434, 439, 440, 451, 452, D14/457, 239, 253; D8/363, 373, 380; D6/406.3, 406.4, 406.5, 406.6; D12/415
CPC A47B 21/04; A47B 2097/006; A47B 2097/005; A47B 2023/049; A45C 2011/002; A45C 2011/003; F16M 2200/00; F16M 13/00
See application file for complete search history.

D798,871 S * 10/2017 Avganim D14/447
D804,490 S * 12/2017 Wei D14/447
D811,413 S * 2/2018 Jeong D14/447
D829,725 S * 10/2018 Luo D14/447
D833,446 S * 11/2018 Elder D14/447
D833,447 S * 11/2018 Zhang D14/447
D833,448 S * 11/2018 Kilkenny D14/447
D847,820 S * 5/2019 Pisapia D14/447

OTHER PUBLICATIONS

“2019 New Portable Ultra Thin for Macbook Holder Stand Foldable Laptop Notebook PC Table Hold Stand for iPad Computer Support”, Retrieved Nov. 19, 2019]. Retrieved from Internet, <https://www.aliexpress.com/item/33021160603.html?spm=a2g0o.productlist>.

* cited by examiner

Primary Examiner — Angela J Lee

(57) **CLAIM**

The ornamental design for a computer stand, as shown and described.

DESCRIPTION

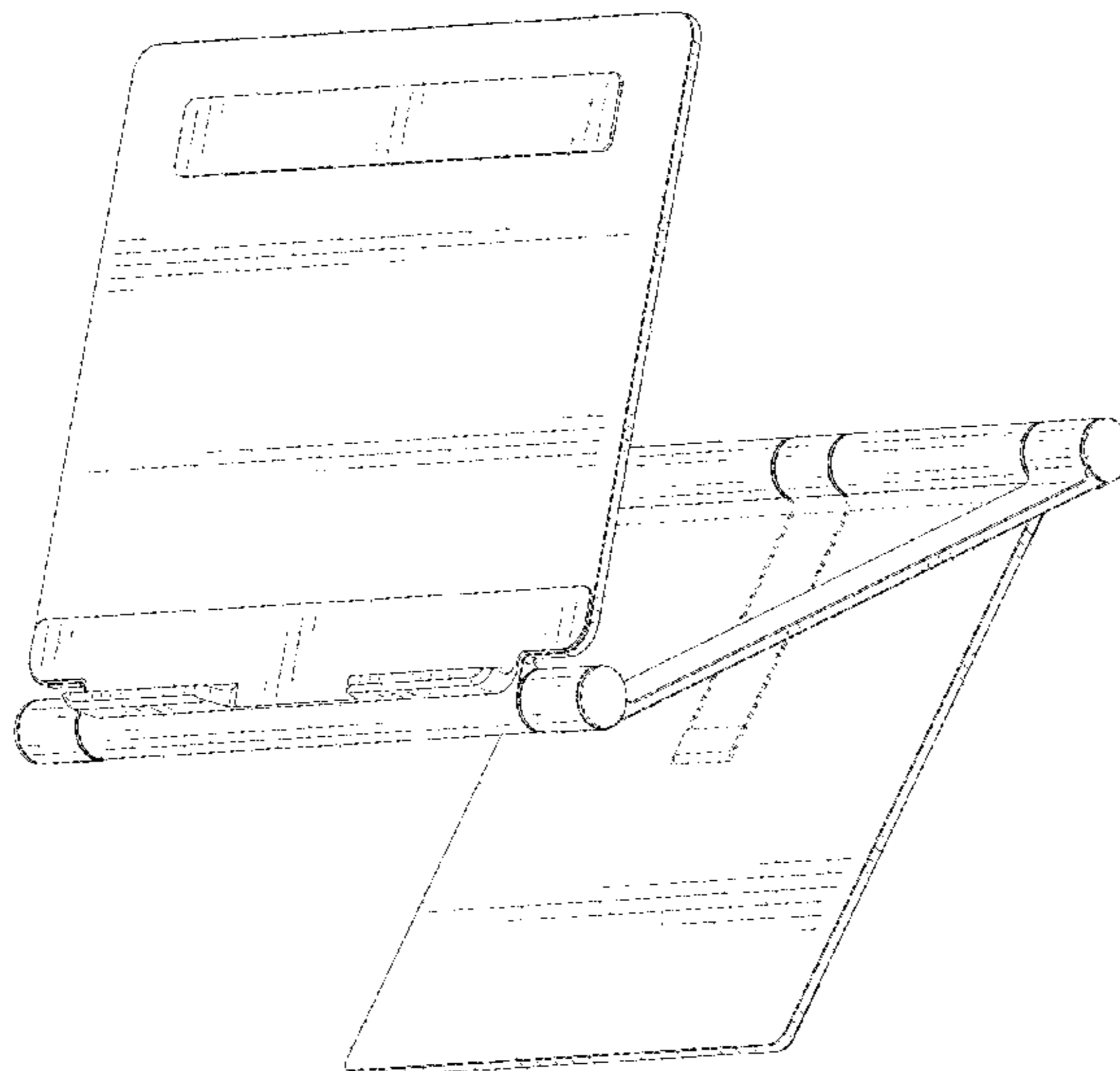
FIG. 1 is a perspective view of a computer stand showing my new design;
FIG. 2 is another perspective view thereof;
FIG. 3 is a front elevational view thereof;
FIG. 4 is a rear elevational view thereof;
FIG. 5 is a left side elevational view thereof;
FIG. 6 is a right side elevational view thereof;
FIG. 7 is a top plan view thereof;
FIG. 8 is a bottom plan view thereof;
FIG. 9 is a perspective view of the computer stand where the computer stand is in a configuration of use; and,
FIG. 10 is a perspective view of the computer stand where the computer stand is in another configuration of use.
The broken lines in the drawings depict portions of the computer stand that form no part of the claimed design.

1 Claim, 10 Drawing Sheets

(56) **References Cited**

U.S. PATENT DOCUMENTS

D573,598 S * 7/2008 Chu D14/447
D589,964 S * 4/2009 Heggland D14/434
D639,816 S * 6/2011 Bau D14/447
8,056,871 B2 * 11/2011 Matias A47B 23/043
248/176.1
D670,703 S 11/2012 Hasbrook et al.
D721,710 S 1/2015 Messing
D733,155 S * 6/2015 van Hoofft D14/447



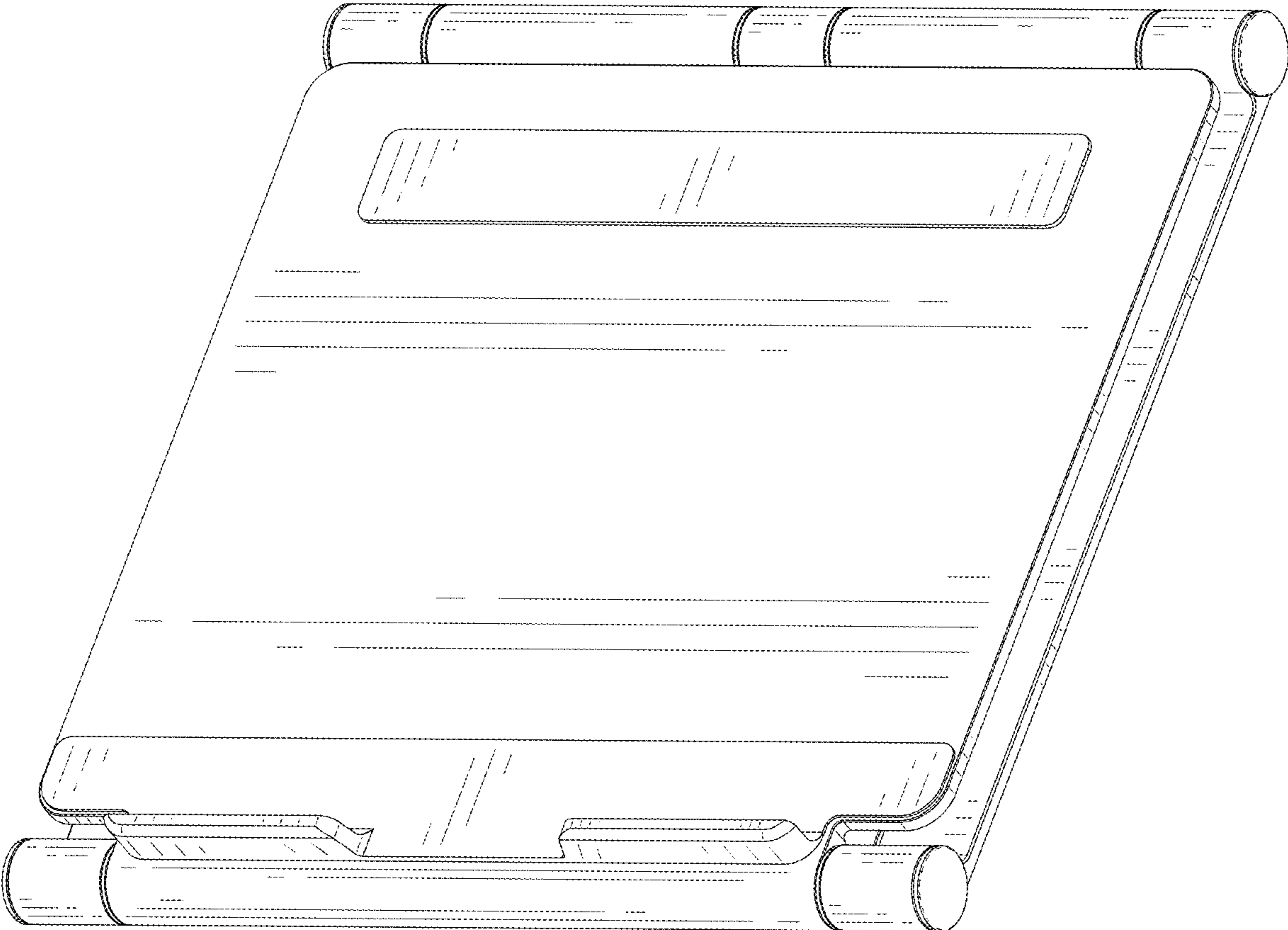


FIG. 1

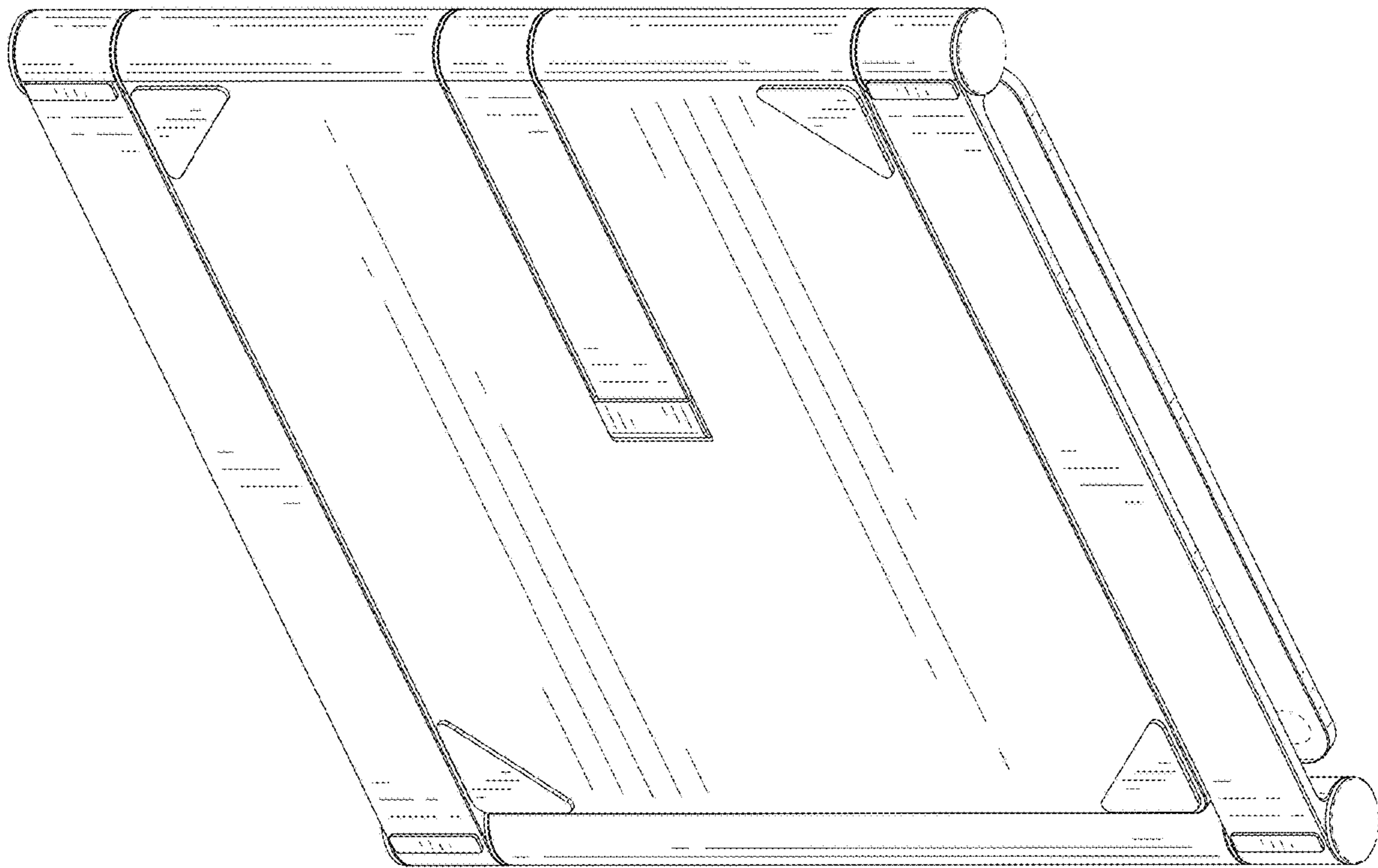


FIG. 2

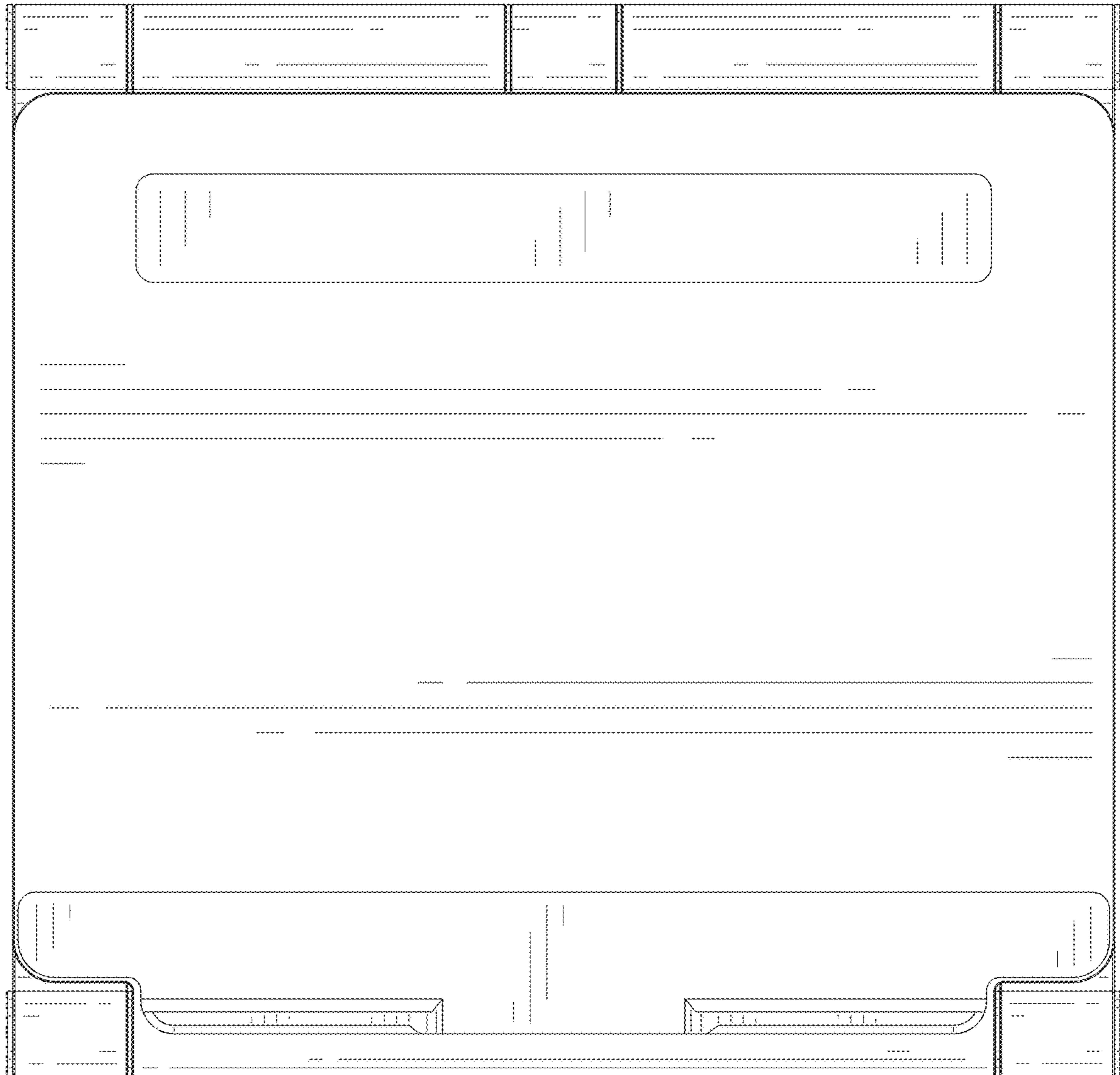


FIG. 3

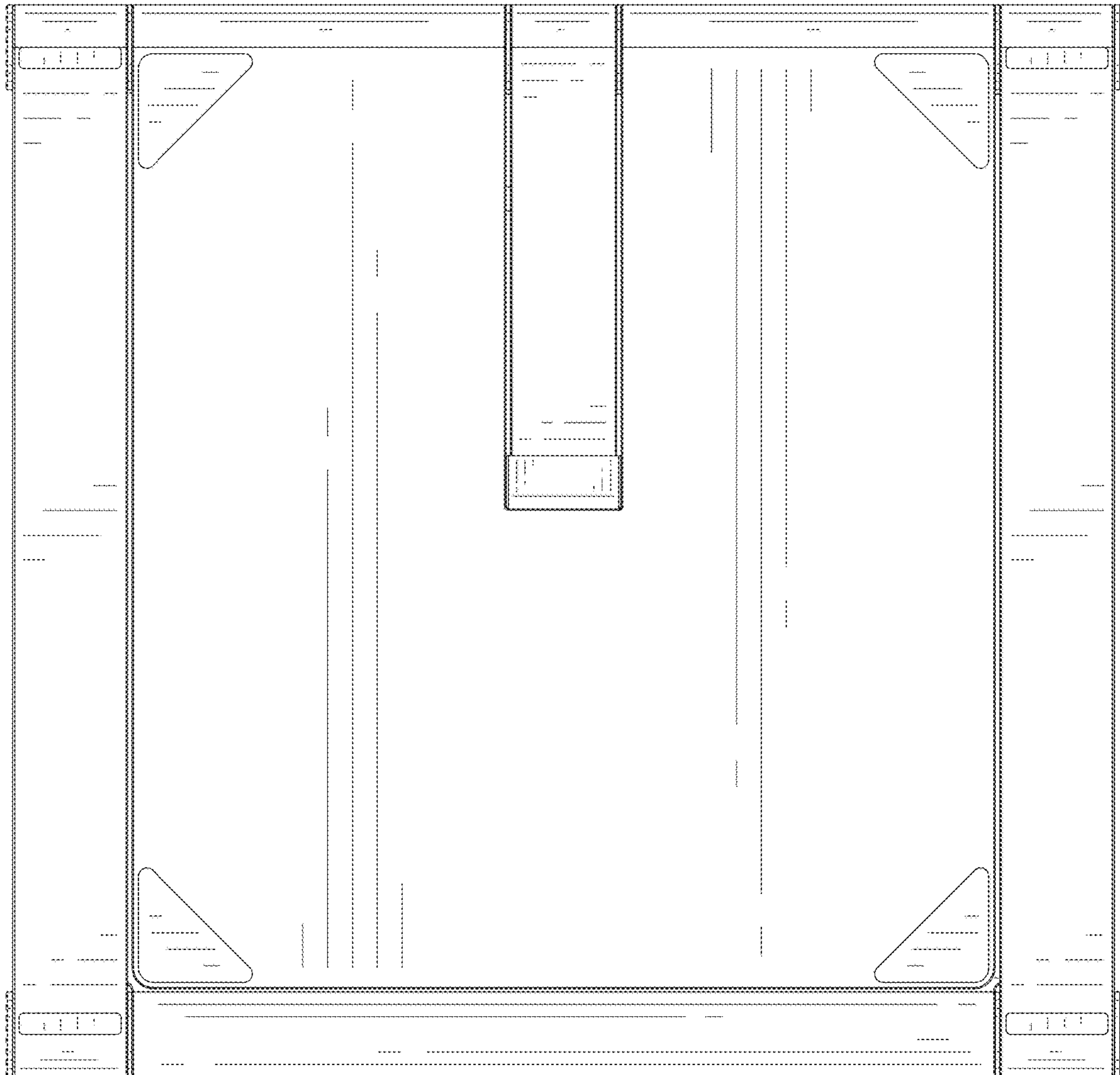


FIG. 4

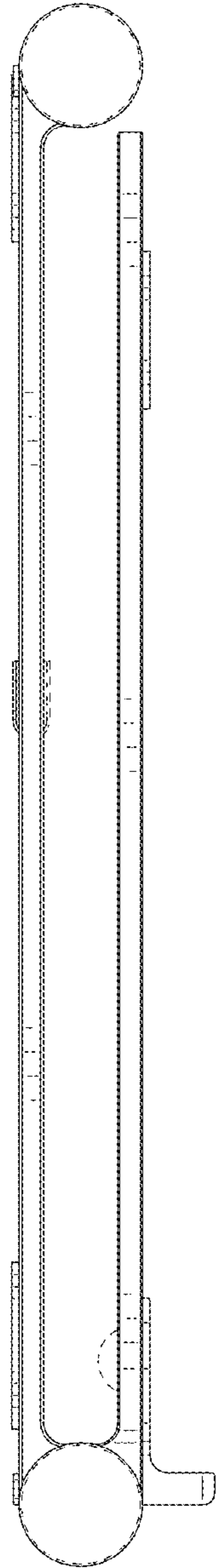


FIG. 5

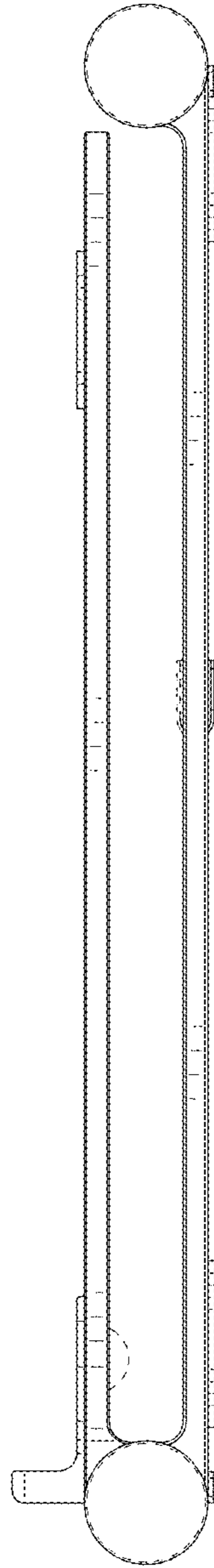


FIG. 6

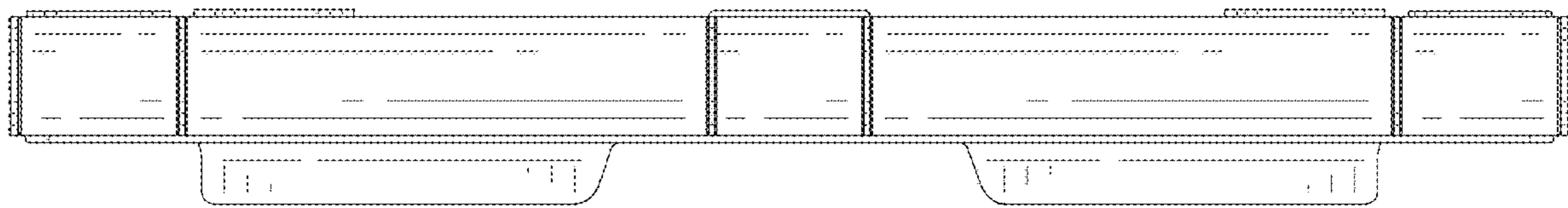


FIG. 7

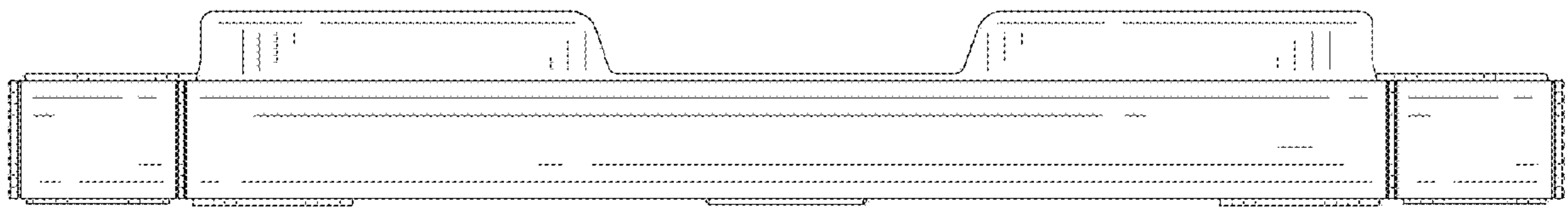


FIG. 8

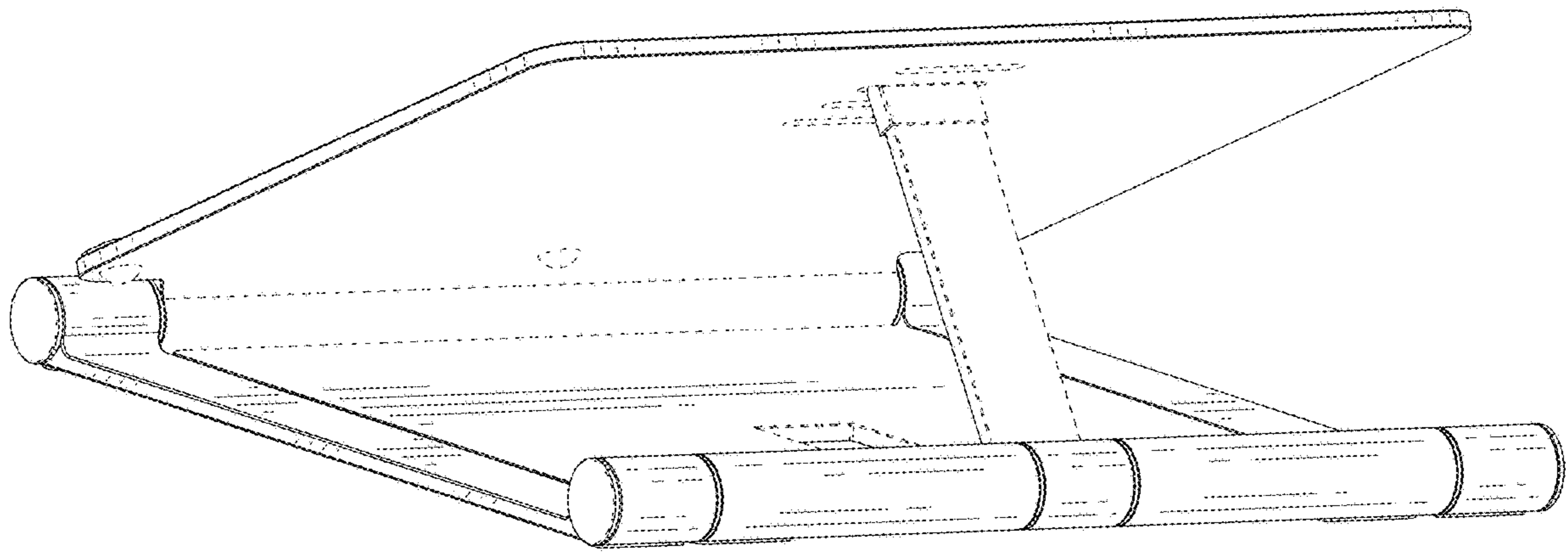


FIG. 9

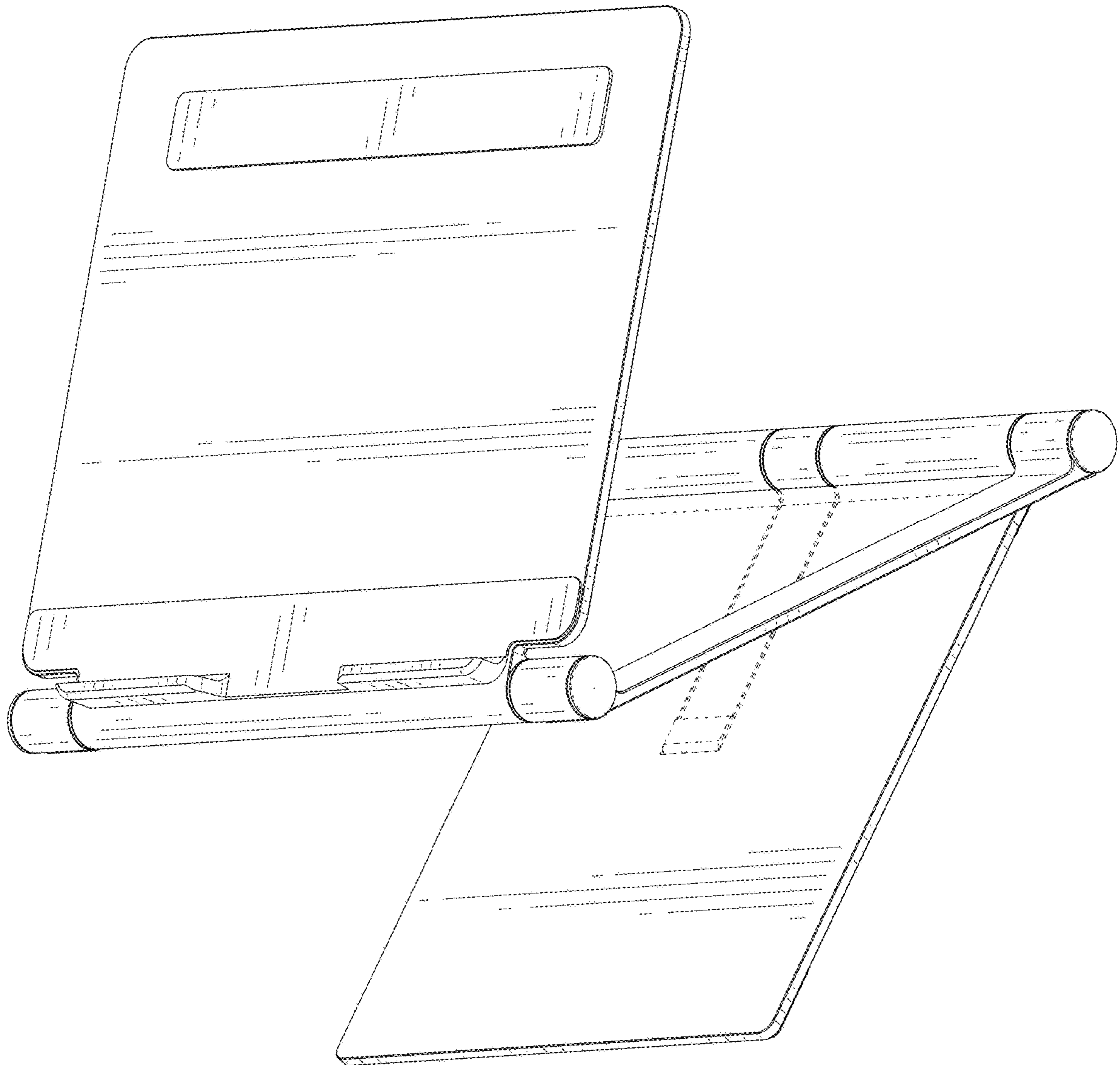


FIG. 10