



US00D906346S

(12) **United States Design Patent** (10) **Patent No.:** **US D906,346 S**
Min (45) **Date of Patent:** **** Dec. 29, 2020**

(54) **MOBILE DEVICE HOLDER**
(71) Applicant: **FOURING CO., LTD.**, Seoul (KR)
(72) Inventor: **Jee Hong Min**, Seoul (KR)
(73) Assignee: **FOURING CO., LTD.**, Seoul (KR)
(**) Term: **15 Years**

(21) Appl. No.: **29/704,743**
(22) Filed: **Sep. 6, 2019**
(51) **LOC (12) Cl.** **08-07**
(52) **U.S. Cl.**
USPC **D14/447**
(58) **Field of Classification Search**
USPC D14/447, 432, 434, 439, 440, 451, 452,
D14/457, 239, 253; D8/363, 373, 380;
D6/406.3, 406.4, 406.5, 406.6; D12/415
CPC A47B 21/04; A47B 2097/006; A47B
2097/005; A47B 2023/049; A45C
2011/002; A45C 2011/003; F16M
2200/00; F16M 13/00
See application file for complete search history.

(56) **References Cited**
U.S. PATENT DOCUMENTS
D781,297 S * 3/2017 Liao D14/447
D783,013 S * 4/2017 Chun D14/253
D827,698 S * 9/2018 Zhang D16/242
D832,276 S * 10/2018 Miles D14/451

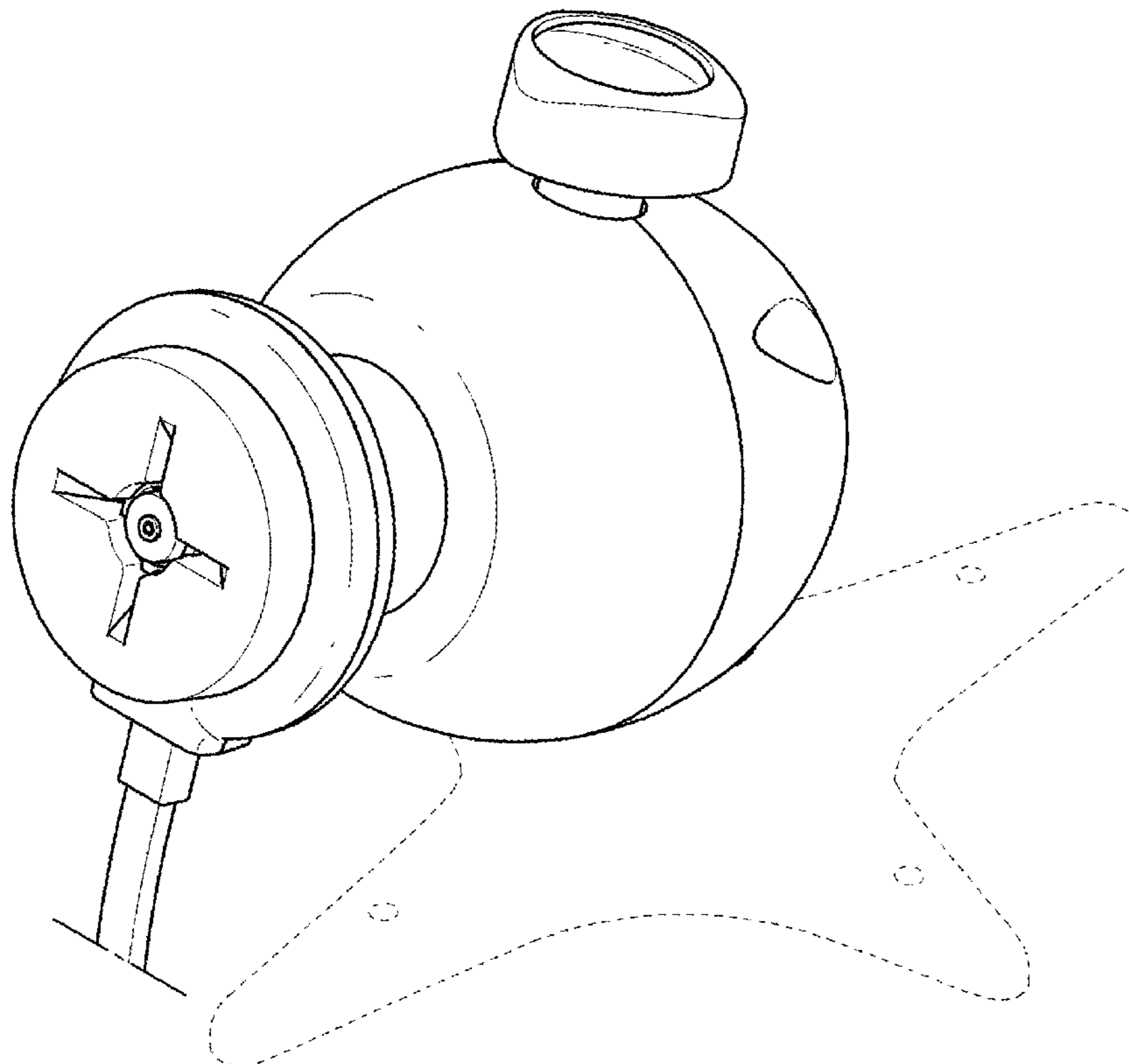
D855,050 S * 7/2019 Bongard D14/253
D858,422 S * 9/2019 Min D12/415
D861,003 S * 9/2019 Vogel D14/447
D868,770 S * 12/2019 Hohman D14/253
D870,094 S * 12/2019 Ma D14/253
D871,490 S * 12/2019 Wengreen D16/242
D888,064 S * 6/2020 Ahn D14/447
D888,065 S * 6/2020 Ahn D14/447

* cited by examiner
Primary Examiner — Angela J Lee
(74) *Attorney, Agent, or Firm* — Novick, Kim & Lee,
PLLC; Sang Ho Lee; Hyun Woo Shin

(57) **CLAIM**
I claim the ornamental design for a mobile device holder, as shown and described.

DESCRIPTION
FIG. 1 is perspective view of a mobile device holder, showing my new design;
FIG. 2 is a front elevational view thereof;
FIG. 3 is a rear elevational view thereof;
FIG. 4 is a left side elevational view thereof;
FIG. 5 is a right side elevational view thereof;
FIG. 6 is a top plan view thereof; and,
FIG. 7 is a bottom plan view thereof.
The dash-dash broken lines in the drawings illustrate environmental structure which form no part of the claimed design. The dot-dash broken lines define the bounds of the claimed design and form not part thereof.

1 Claim, 7 Drawing Sheets



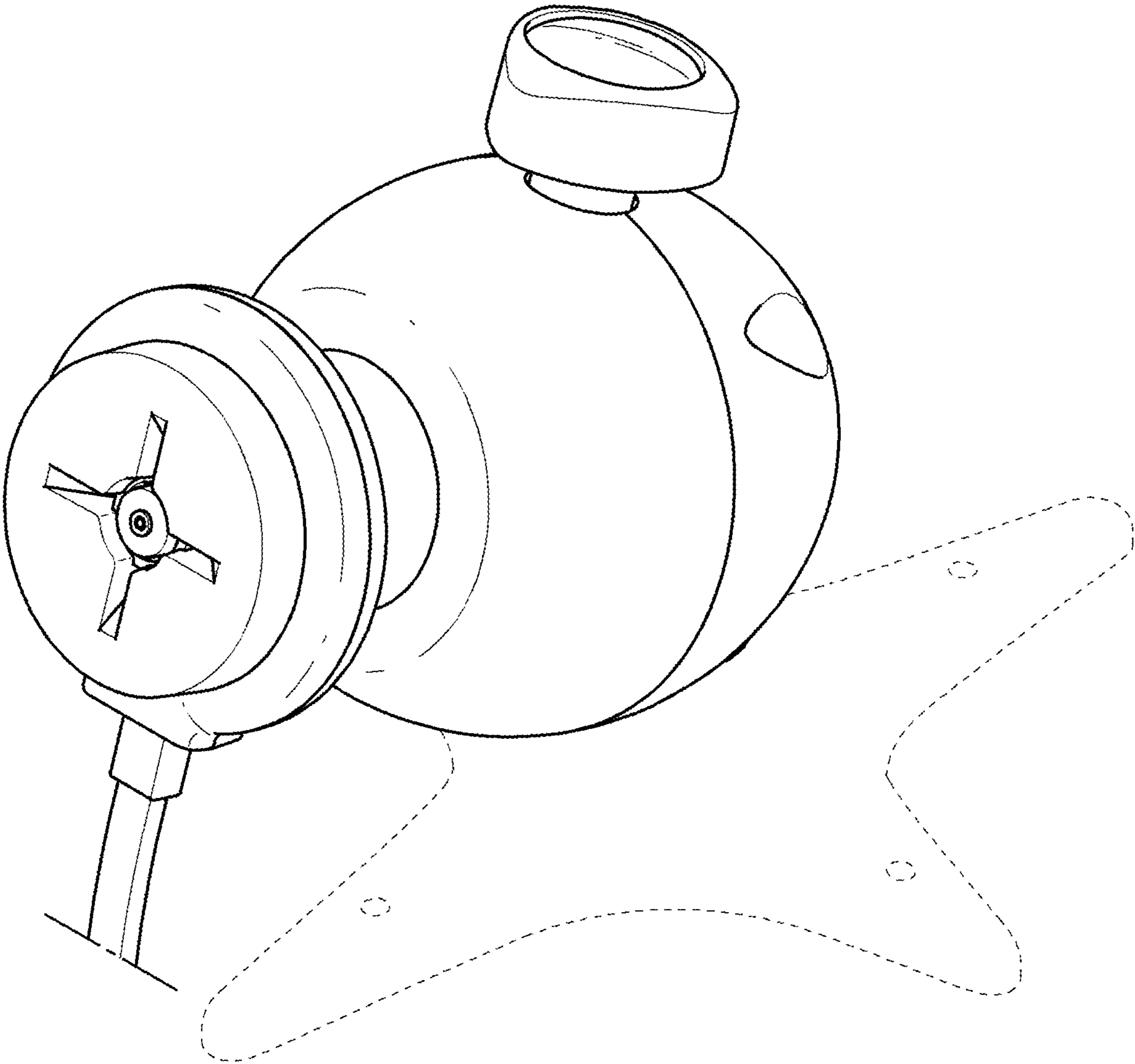


FIG. 1

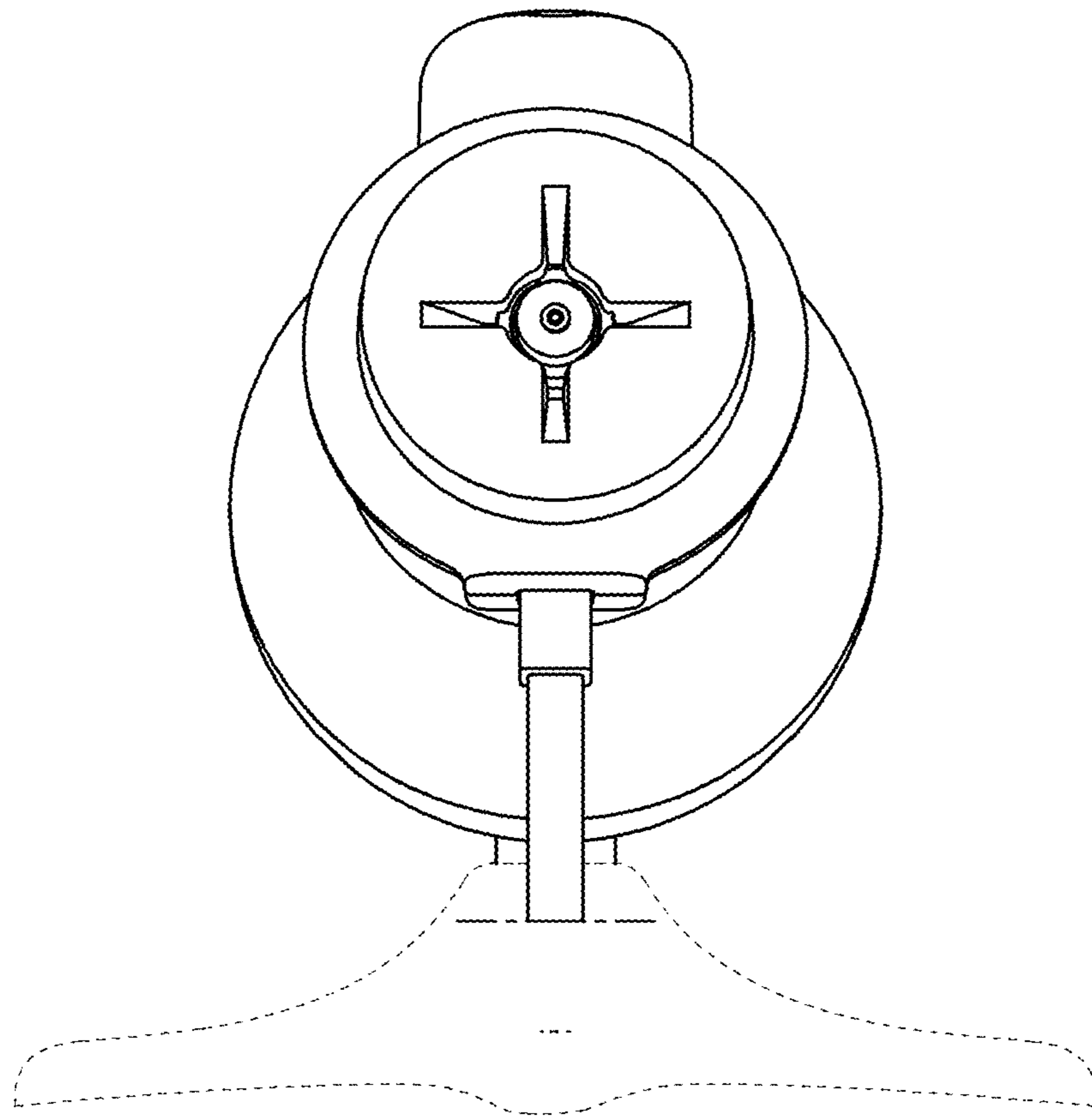


FIG. 2

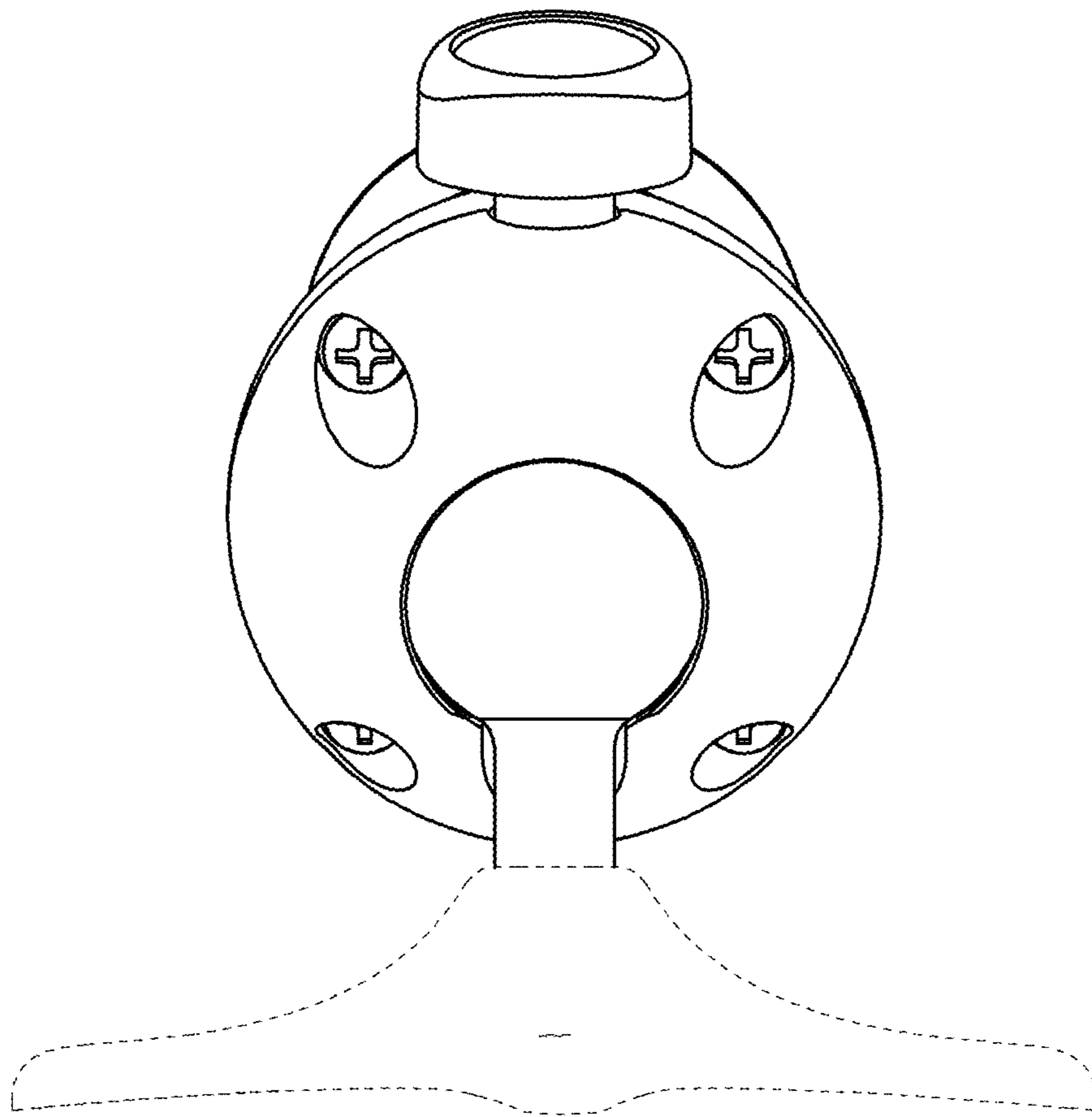


FIG. 3

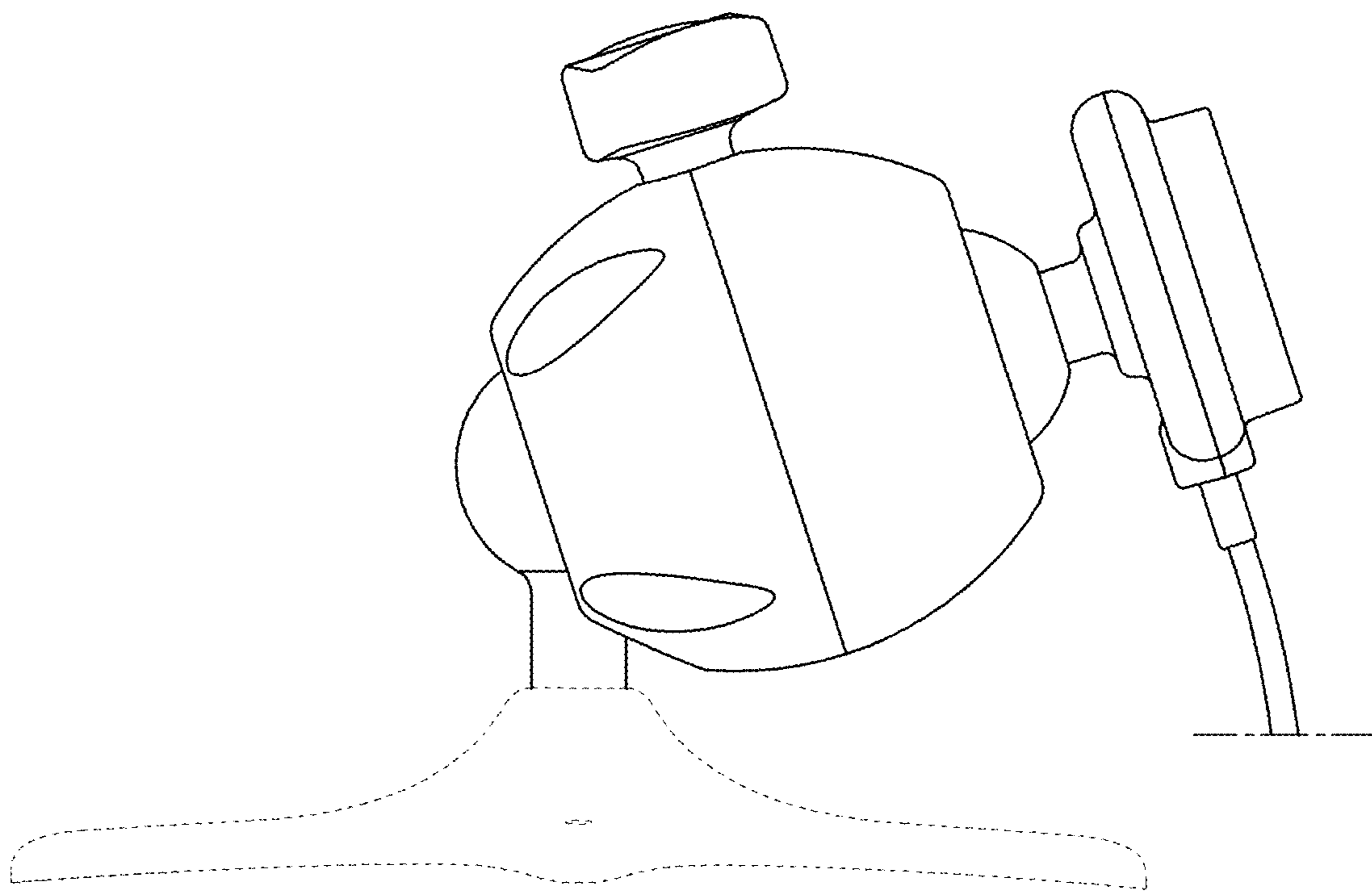


FIG. 4

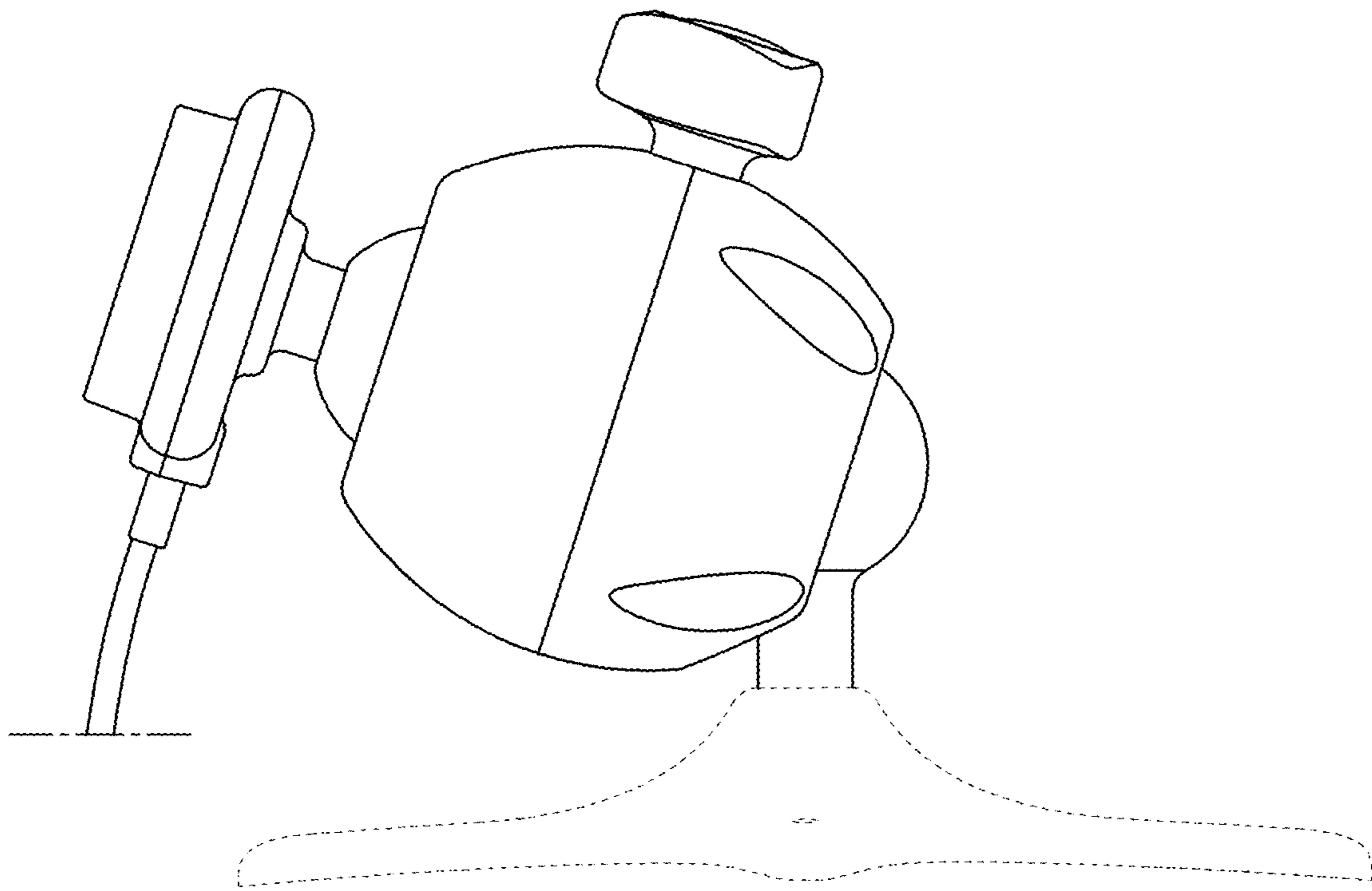


FIG. 5

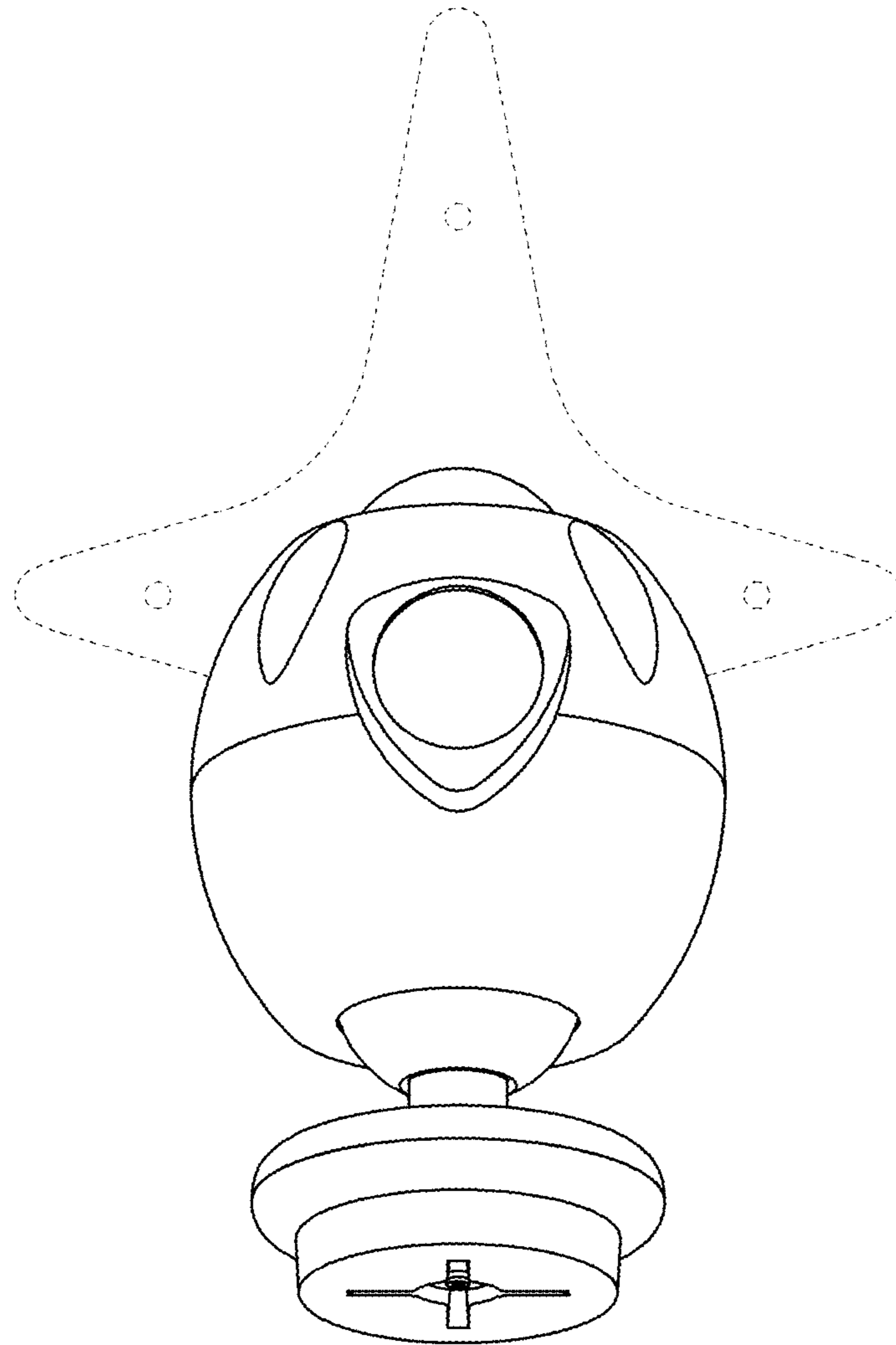


FIG. 6

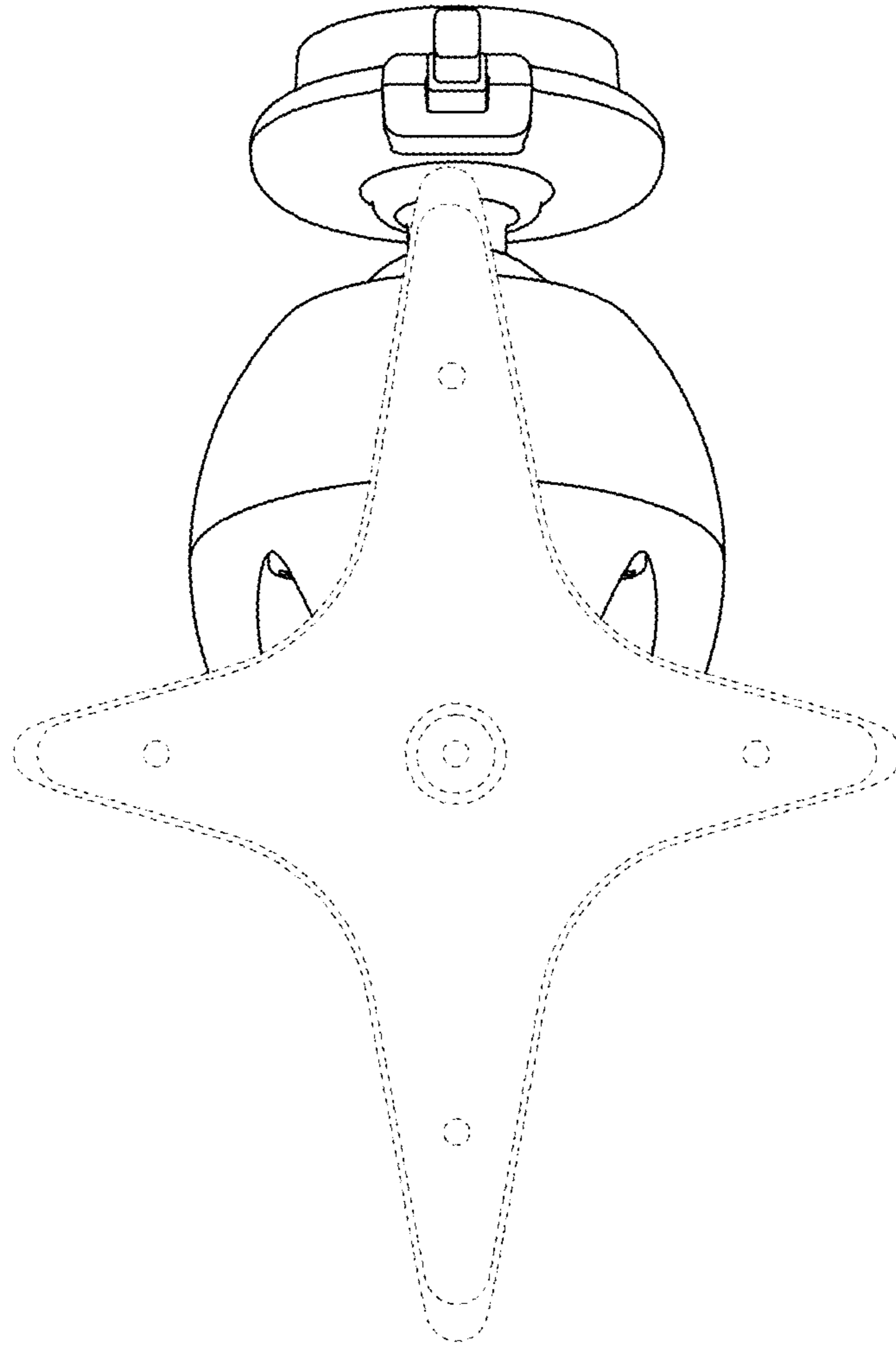


FIG. 7