



US00D906345S

(12) **United States Design Patent**
Chen et al.

(10) **Patent No.:** **US D906,345 S**

(45) **Date of Patent:** **** Dec. 29, 2020**

(54) **DUAL FLIP STAND**

(71) Applicants: **Po-Jui Chen**, Taipei (TW);
Sheng-Hung Lee, Taipei (TW);
Chen-Cheng Wang, Taipei (TW);
Yen-Hua Hsiao, Taipei (TW);
Yi-Hsuan Chen, Taipei (TW)

(72) Inventors: **Po-Jui Chen**, Taipei (TW);
Sheng-Hung Lee, Taipei (TW);
Chen-Cheng Wang, Taipei (TW);
Yen-Hua Hsiao, Taipei (TW);
Yi-Hsuan Chen, Taipei (TW)

(73) Assignee: **COMPAL ELECTRONICS, INC.**,
Taipei (TW)

(**) Term: **15 Years**

(21) Appl. No.: **29/680,543**

(22) Filed: **Feb. 17, 2019**

(51) **LOC (12) Cl.** **14-02**

(52) **U.S. Cl.**

USPC **D14/447**

(58) **Field of Classification Search**

USPC D6/335, 396, 397, 552, 657, 661, 672,
D6/673, 675, 675.1, 675.2, 675.3, 675.4,
D6/675.5, 678.4, 683.1, 686, 691.1,
D6/691.8, 691.9, 702; D14/126, 252,
D14/253, 307, 376, 447

CPC F16M 11/04; F16M 13/00; H04M 1/04;
A47B 23/043

See application file for complete search history.

(56) **References Cited**

U.S. PATENT DOCUMENTS

7,614,599 B2 * 11/2009 Moon H04M 1/04
248/454
D639,816 S * 6/2011 Bau D14/447

D666,614 S * 9/2012 Ding D14/253
8,457,702 B2 * 6/2013 Lee A45C 11/00
455/575.8
D686,200 S * 7/2013 Huang D14/253
9,876,521 B2 * 1/2018 Lai F16M 11/38
D868,073 S * 11/2019 Smith D14/447
2010/0317412 A1 * 12/2010 Tan H04M 1/04
455/573
2010/0317413 A1 * 12/2010 Tan H04M 1/04
455/573
2013/0320173 A1 * 12/2013 Lin H04M 1/04
248/309.1
2019/0078727 A1 * 3/2019 Phifer F16M 11/10

(Continued)

Primary Examiner — Michael A. Pratt

Assistant Examiner — Adam C Mager

(74) *Attorney, Agent, or Firm* — JCIPRNET

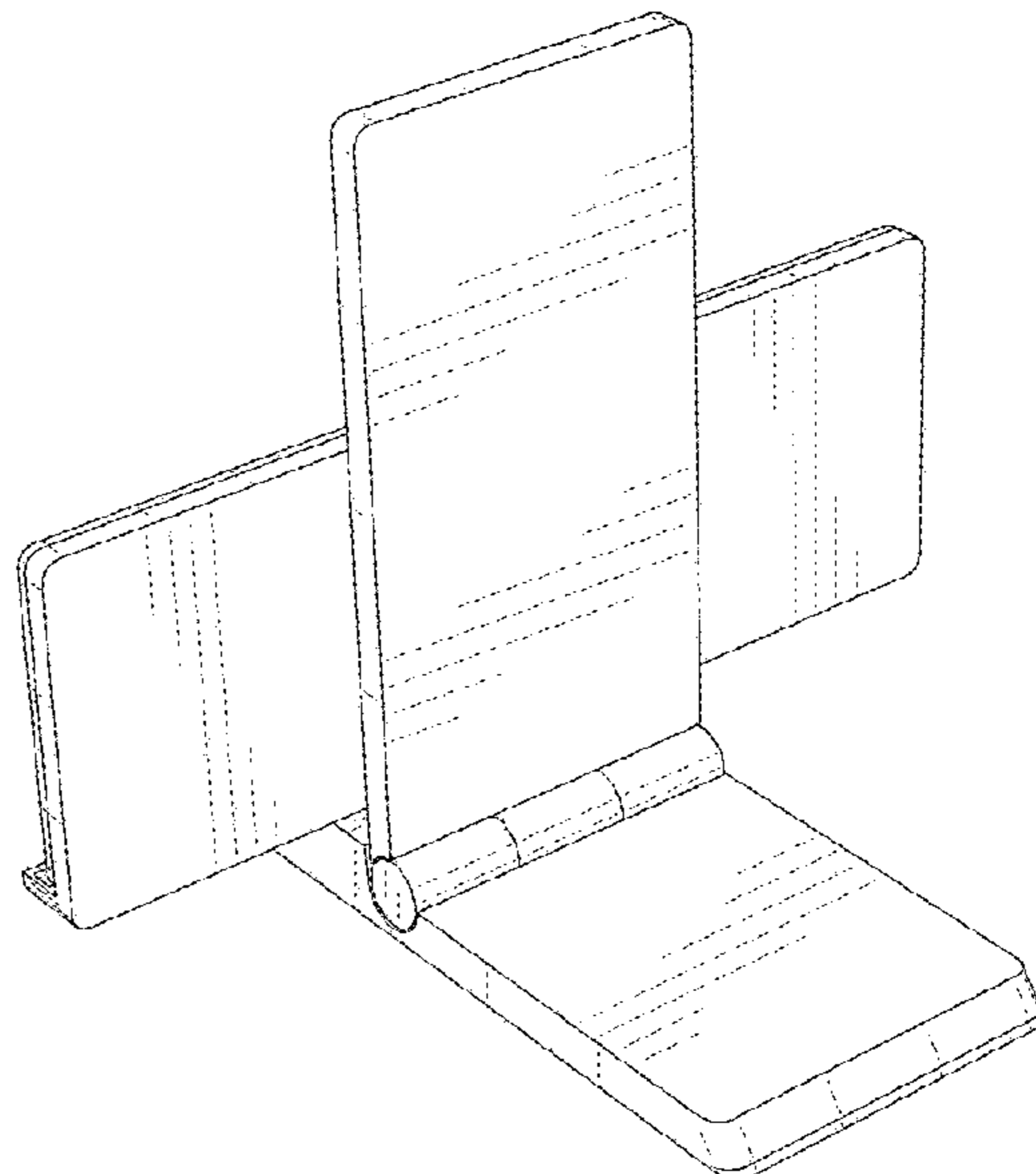
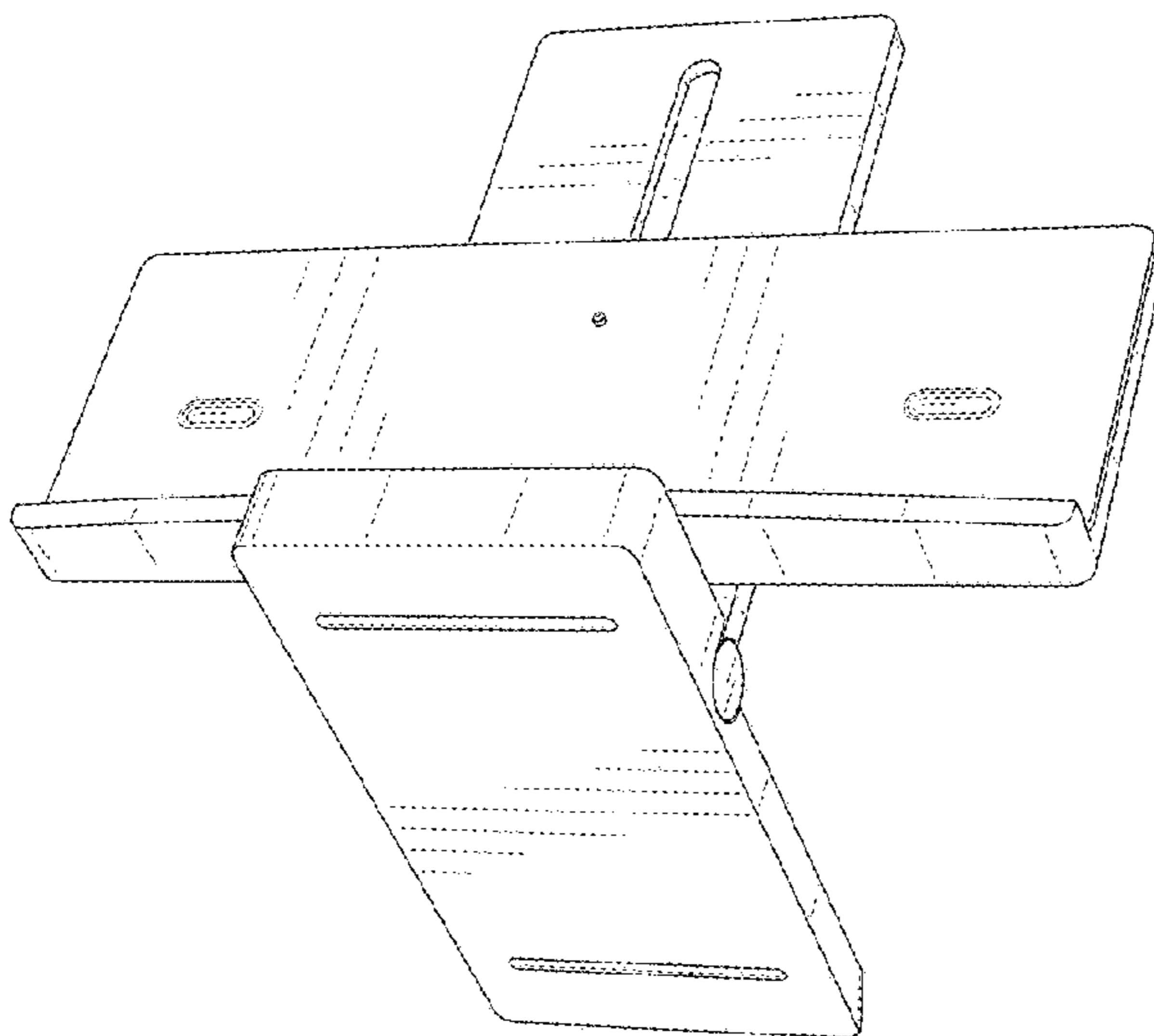
(57) **CLAIM**

The ornamental design for a dual flip stand, as shown.

DESCRIPTION

FIG. 1 is a perspective view of a dual flip stand showing our new design;
FIG. 2 is another perspective view thereof;
FIG. 3 is a front view thereof;
FIG. 4 is a rear view thereof;
FIG. 5 is a left side view thereof;
FIG. 6 is a right side view thereof;
FIG. 7 is a top view thereof;
FIG. 8 is a bottom view thereof;
FIG. 9 is a perspective view thereof in a folded state;
FIG. 10 is another perspective view thereof in a folded state;
FIG. 11 is a front view thereof in a folded state;
FIG. 12 is a rear view thereof in a folded state;
FIG. 13 is a left side view thereof in a folded state;
FIG. 14 is a right side view thereof in a folded state;
FIG. 15 is a top view thereof in a folded state; and,
FIG. 16 is a bottom view thereof in a folded state.

1 Claim, 14 Drawing Sheets



(56)

References Cited

U.S. PATENT DOCUMENTS

2019/0326767 A1* 10/2019 Fan H02J 7/0027
2019/0346080 A1* 11/2019 Wang F16M 11/046

* cited by examiner

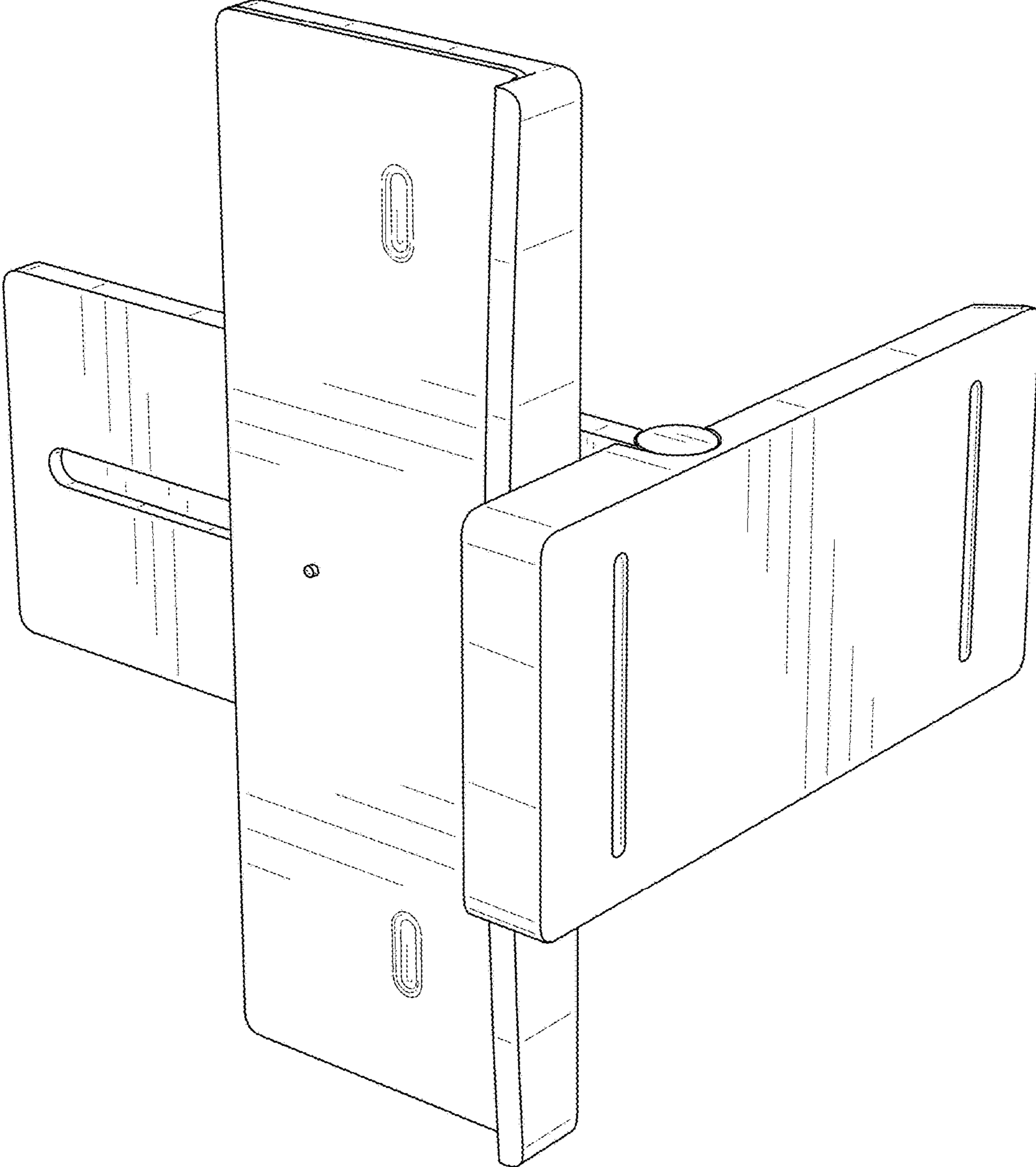


FIG. 1

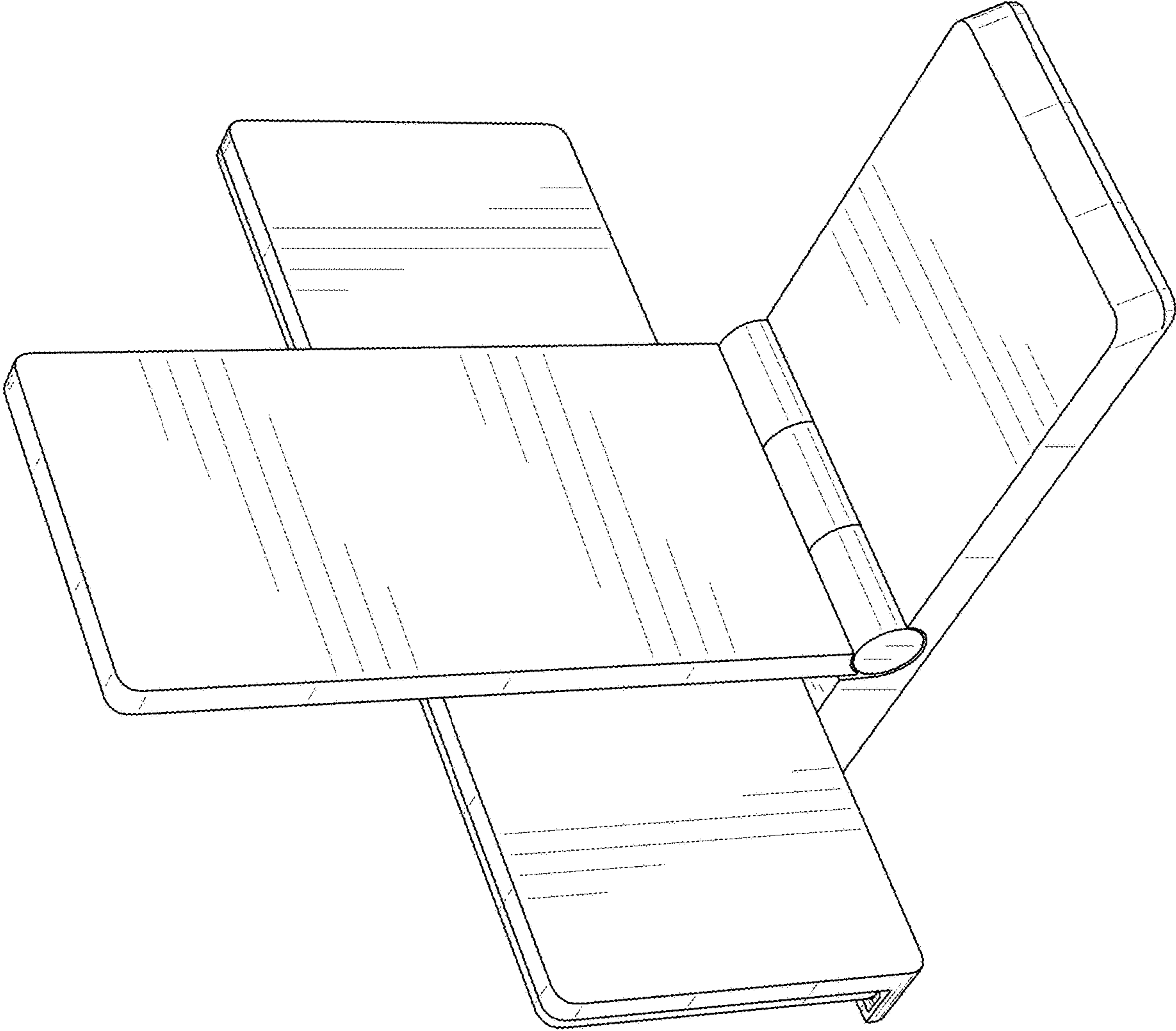


FIG. 2

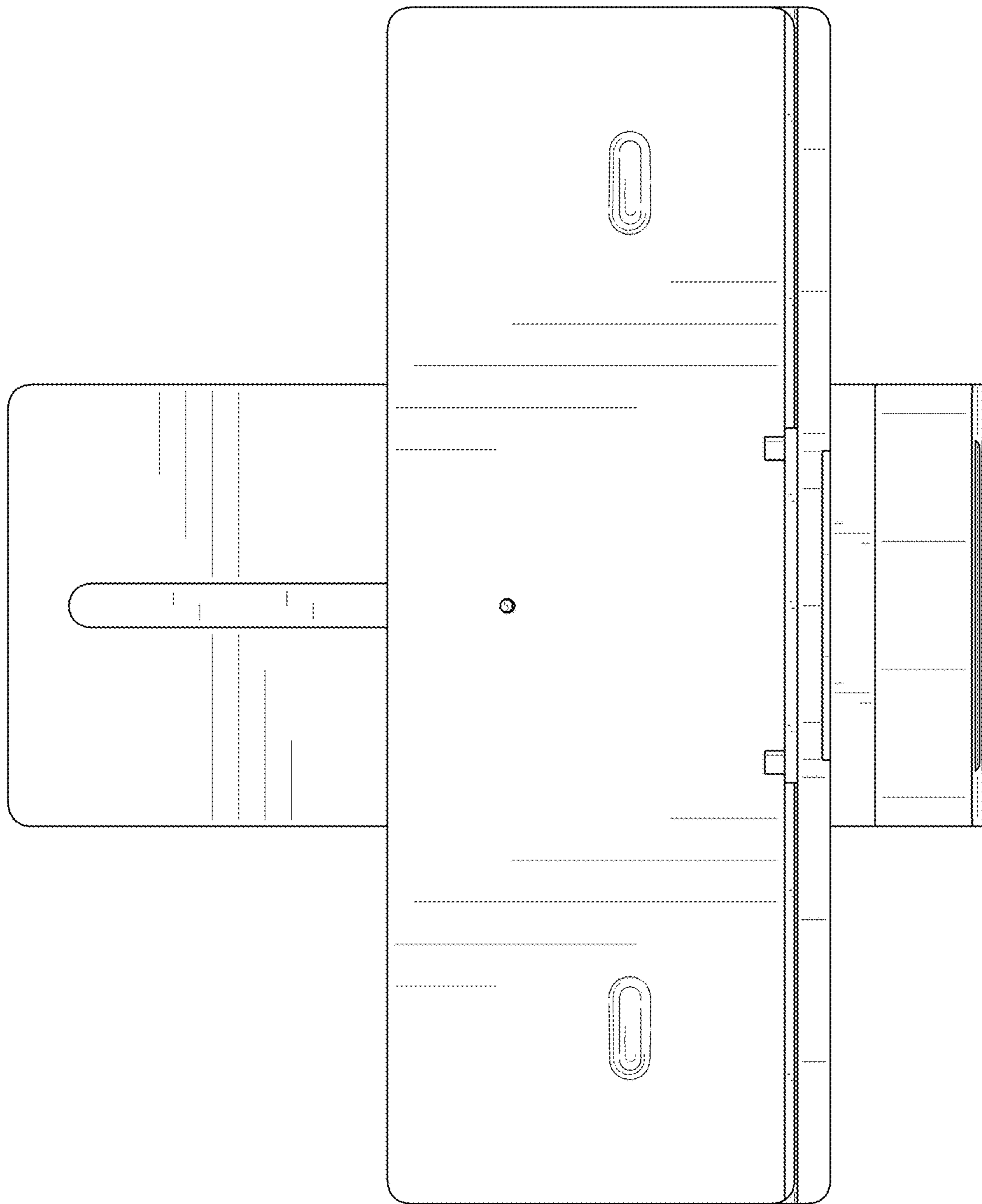


FIG. 3

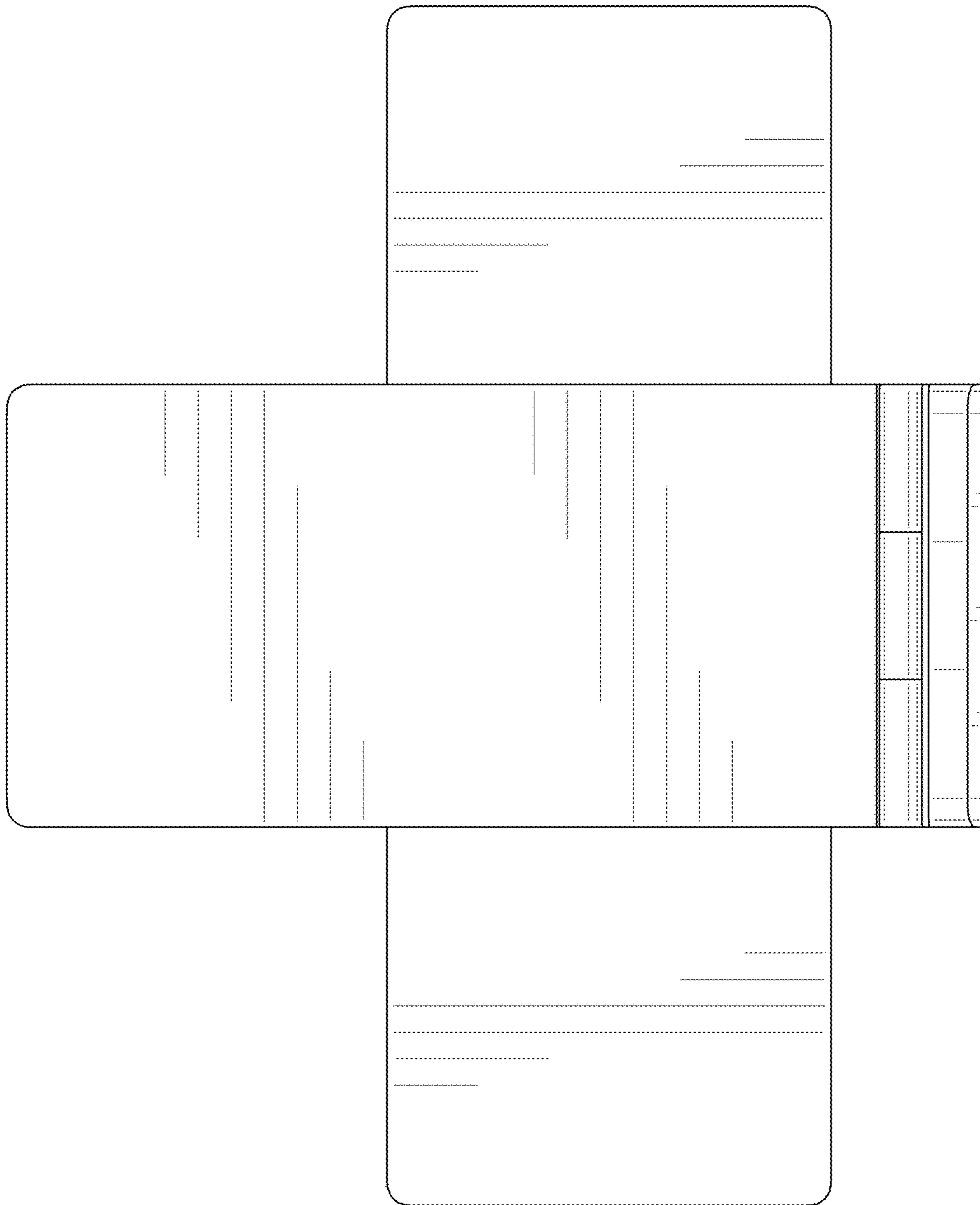


FIG. 4

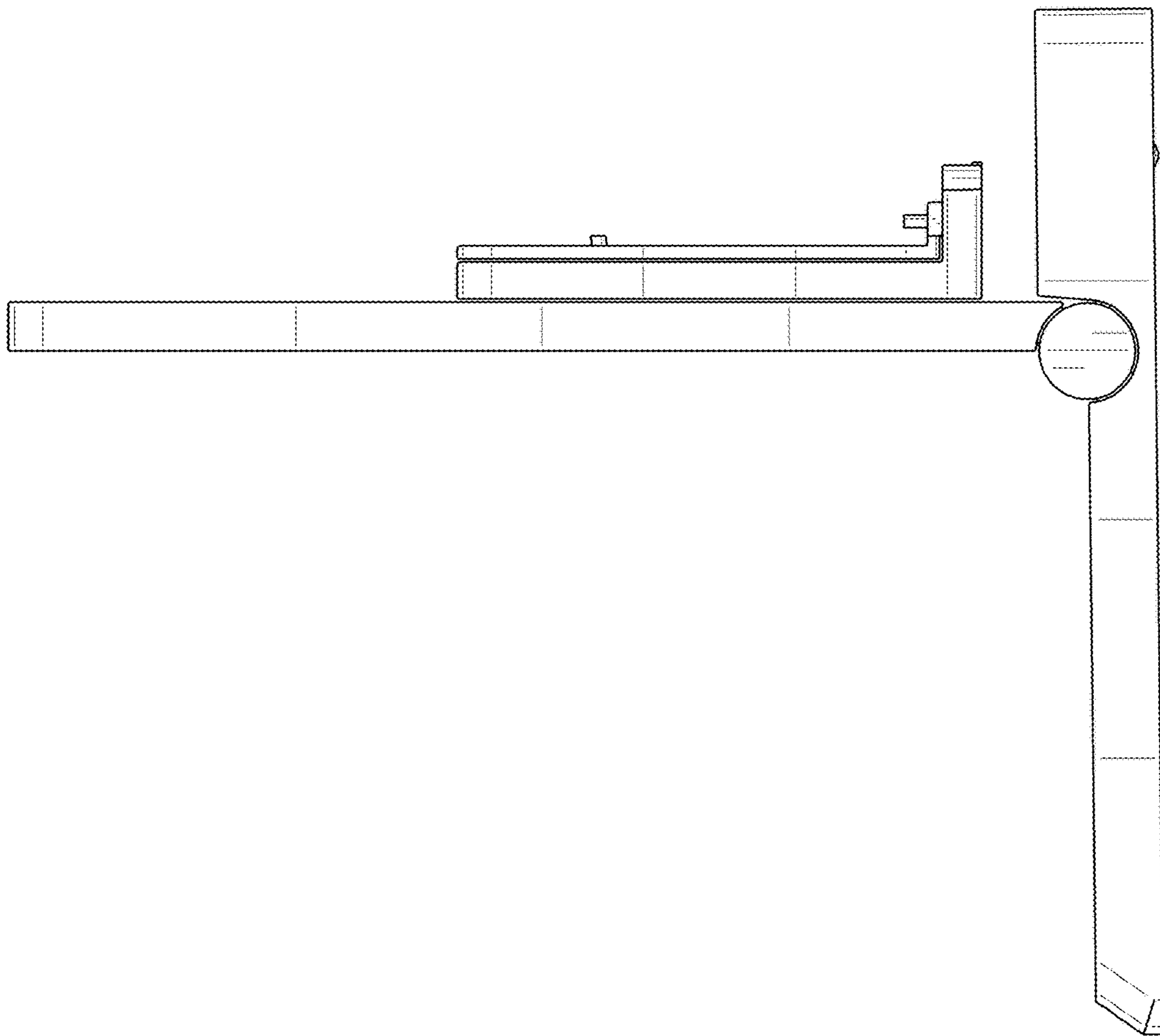


FIG. 5

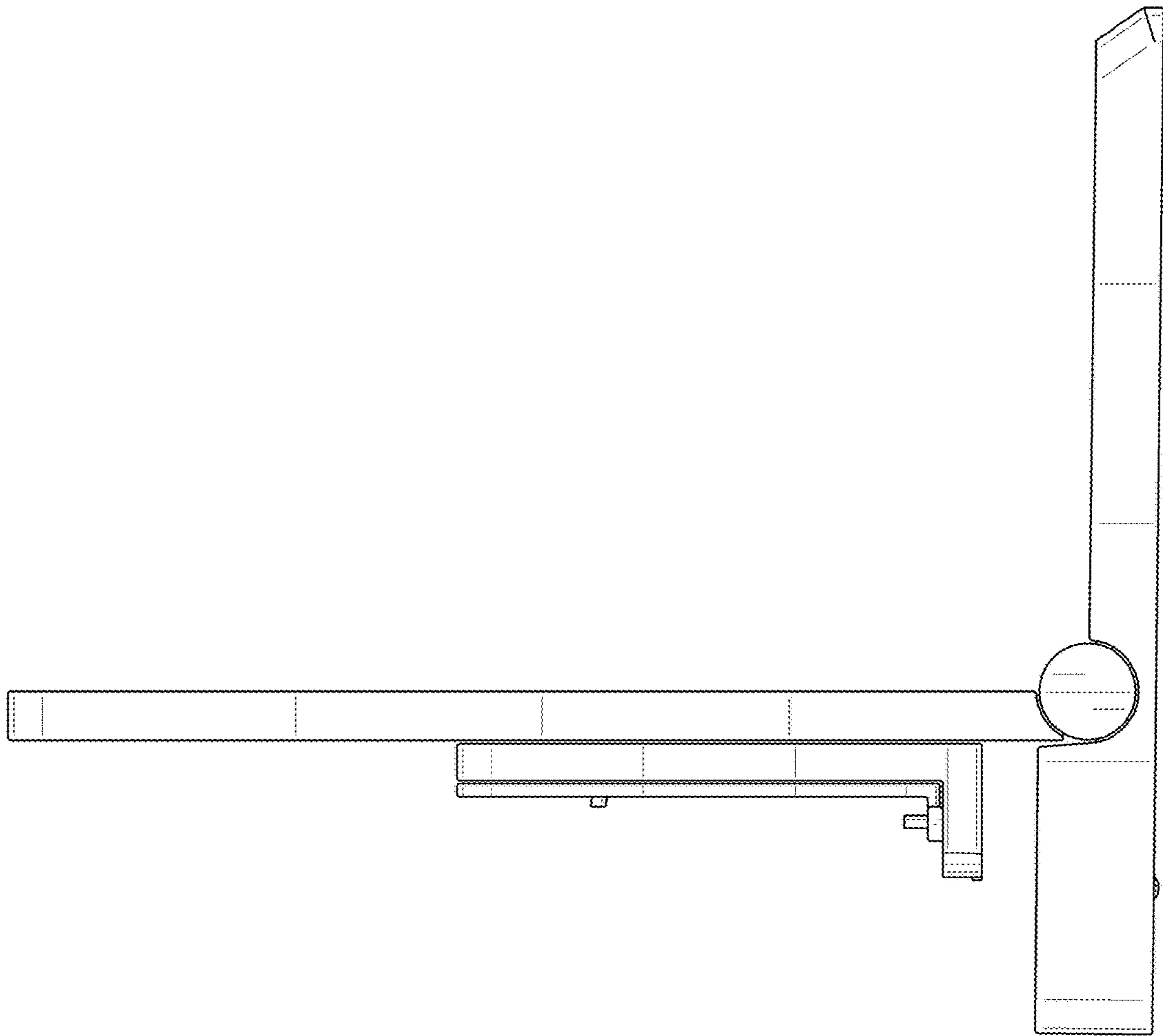


FIG. 6

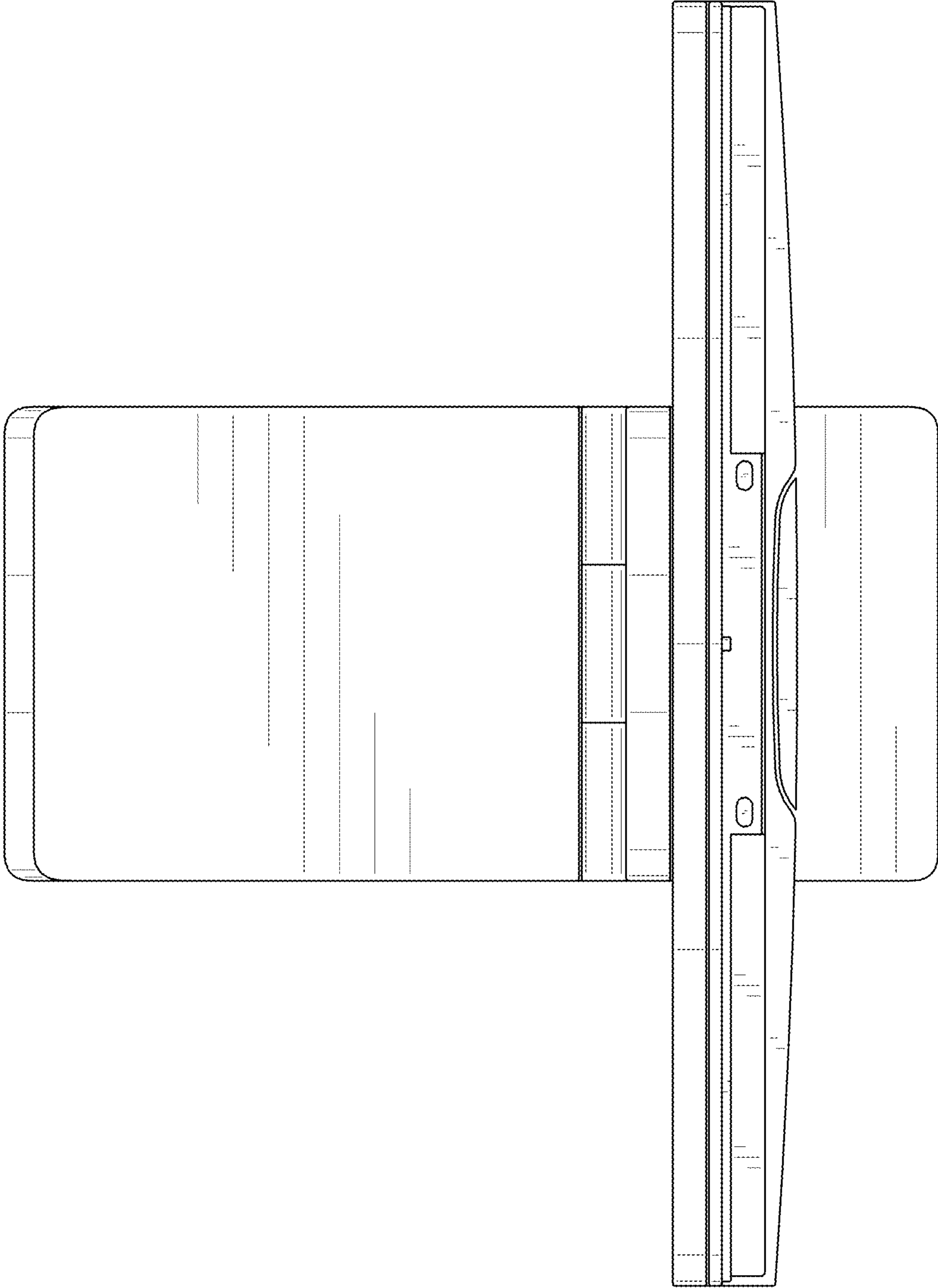


FIG. 7

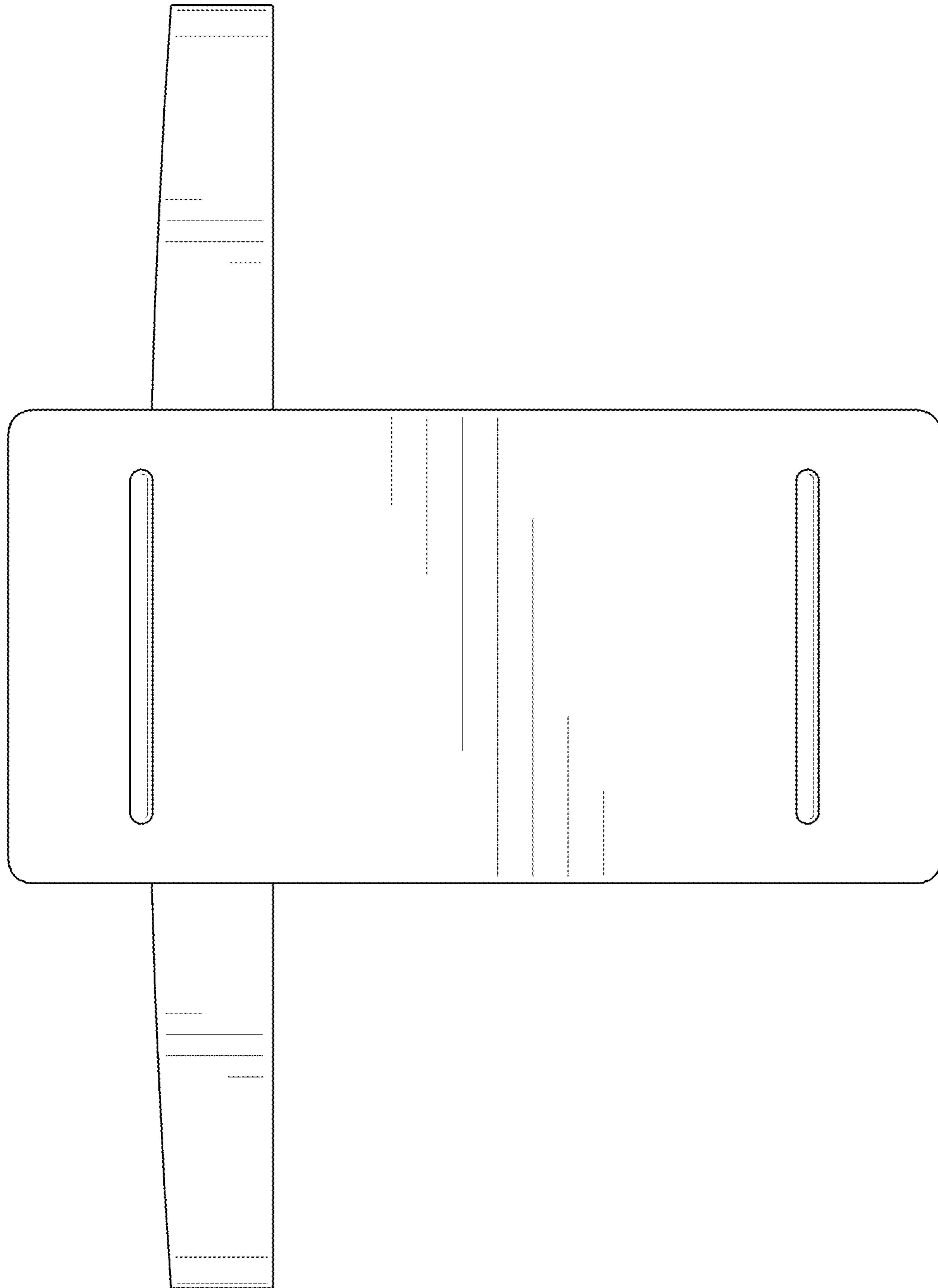


FIG. 8

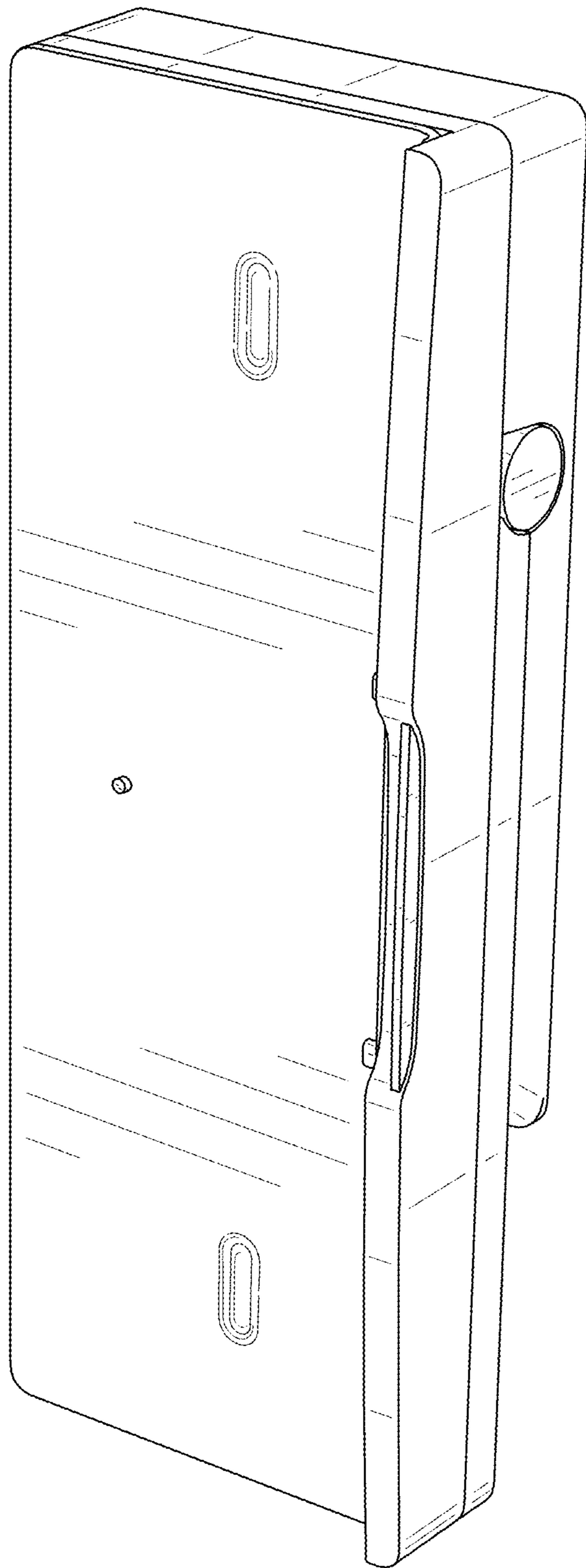


FIG. 9

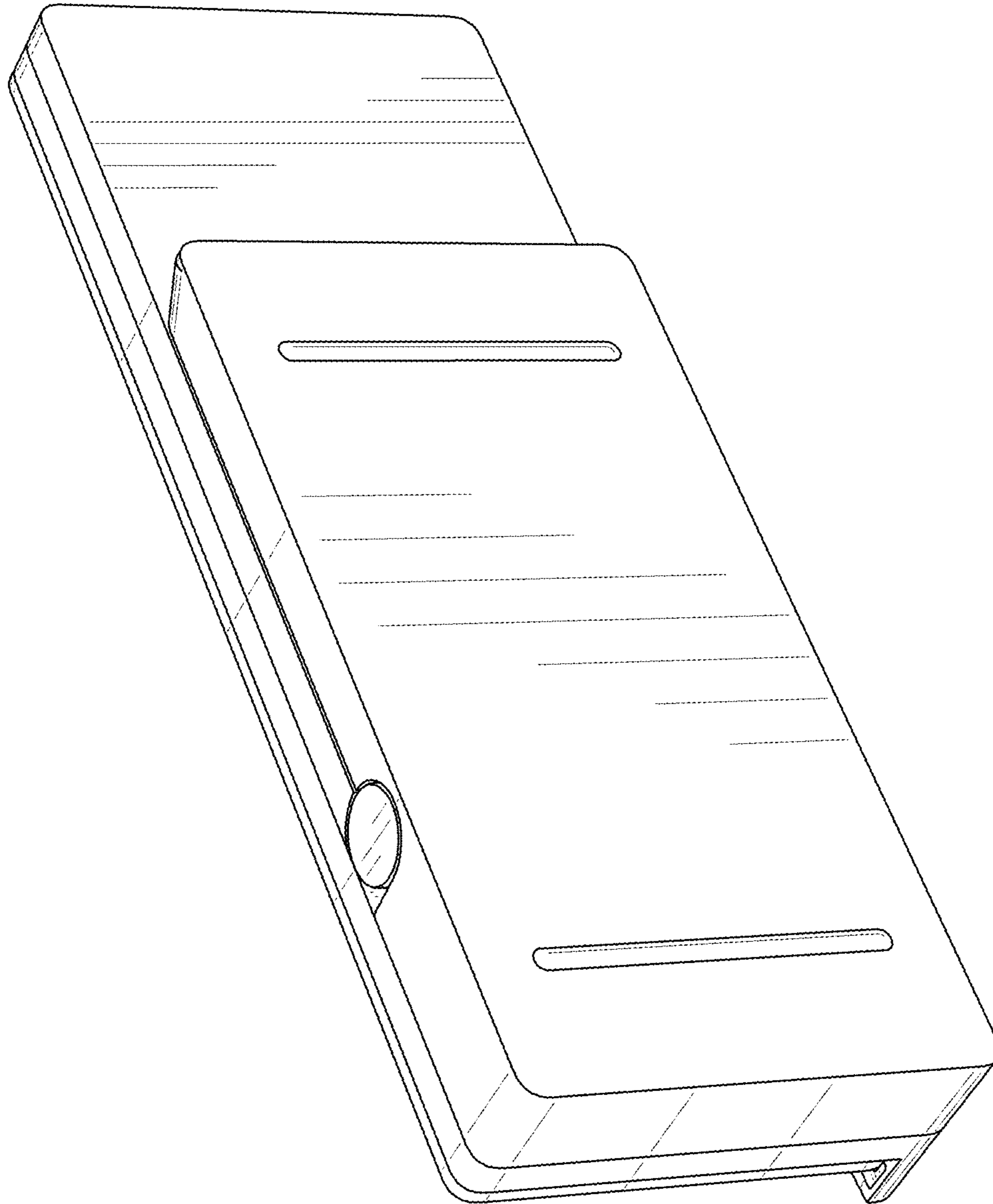


FIG. 10

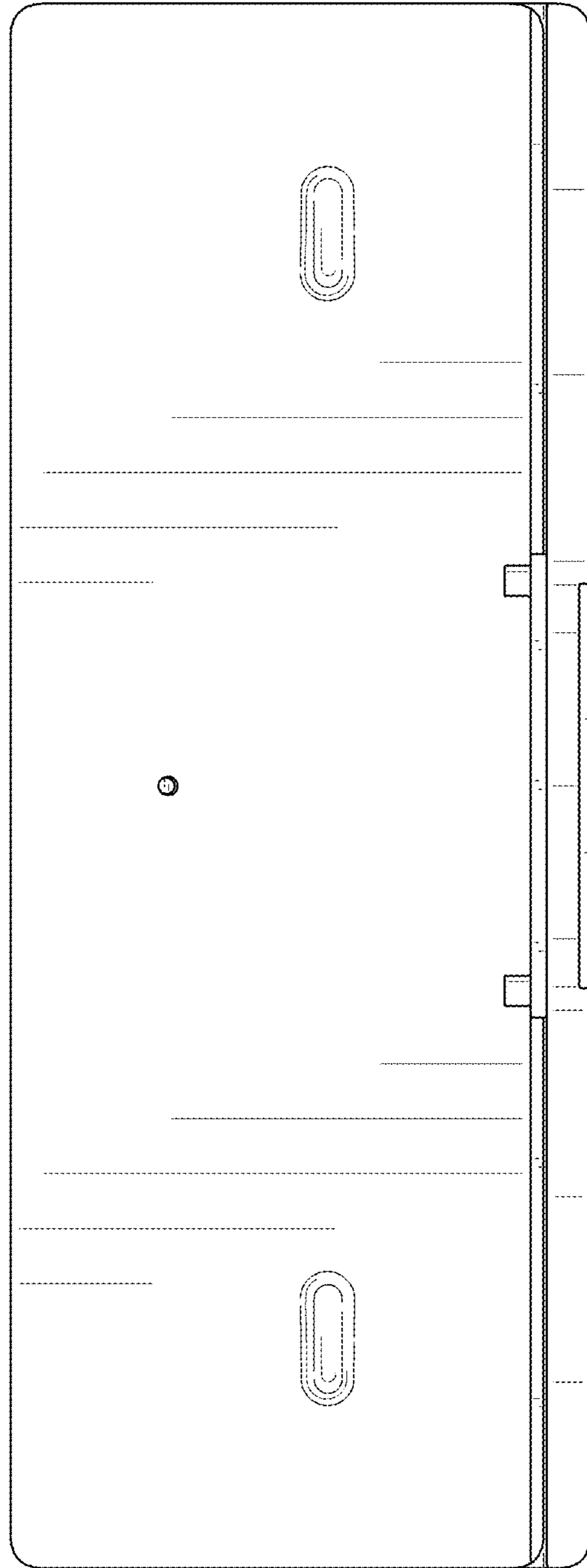


FIG. 11

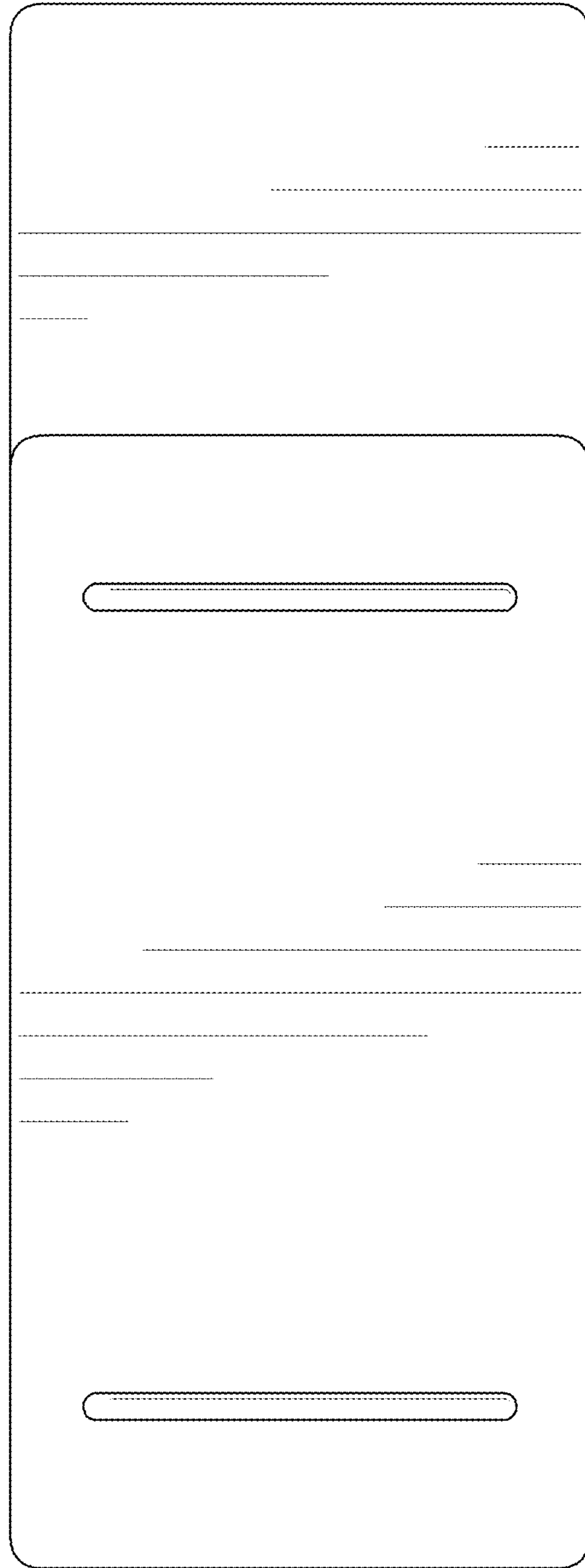


FIG. 12

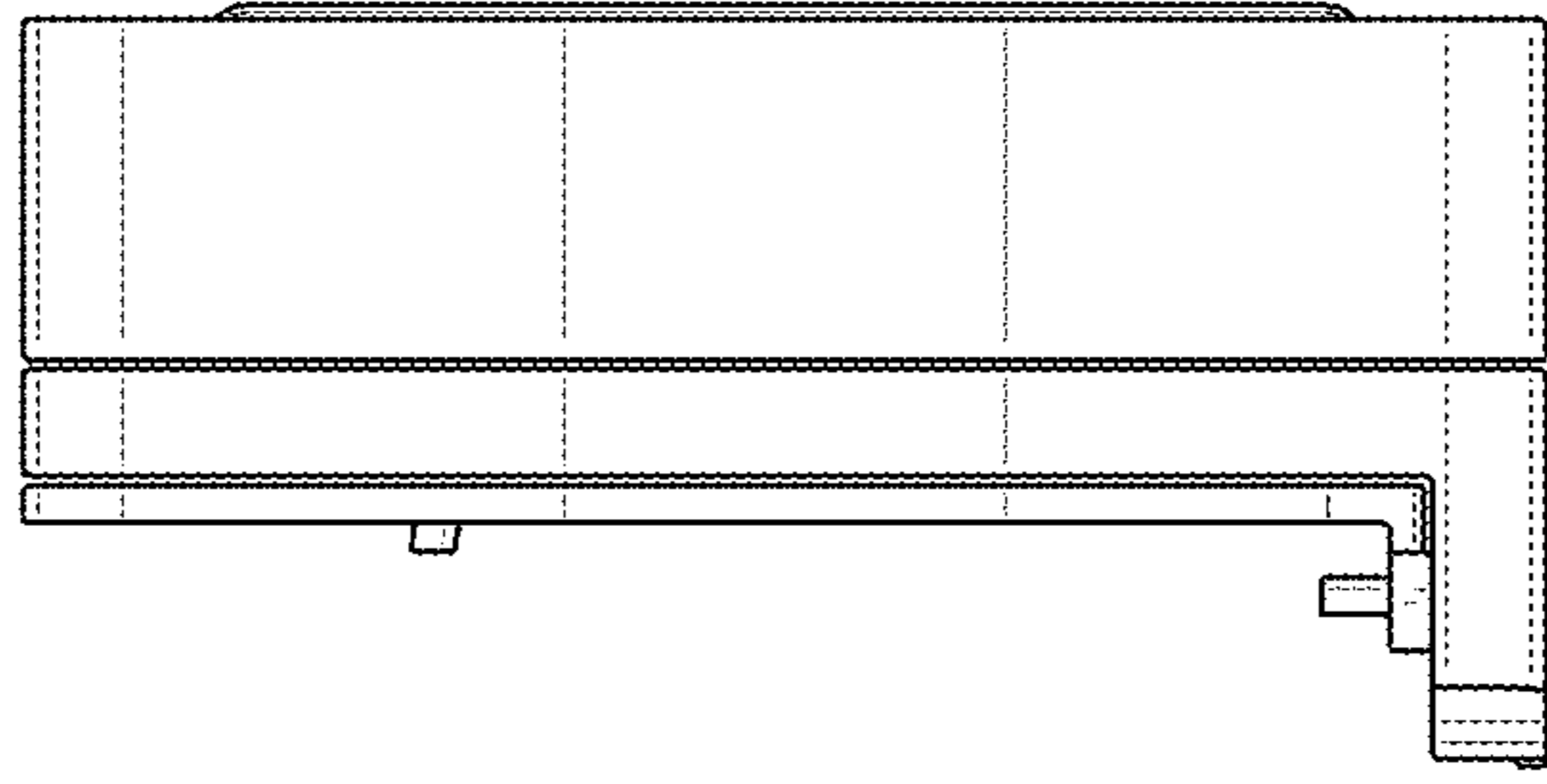


FIG. 14

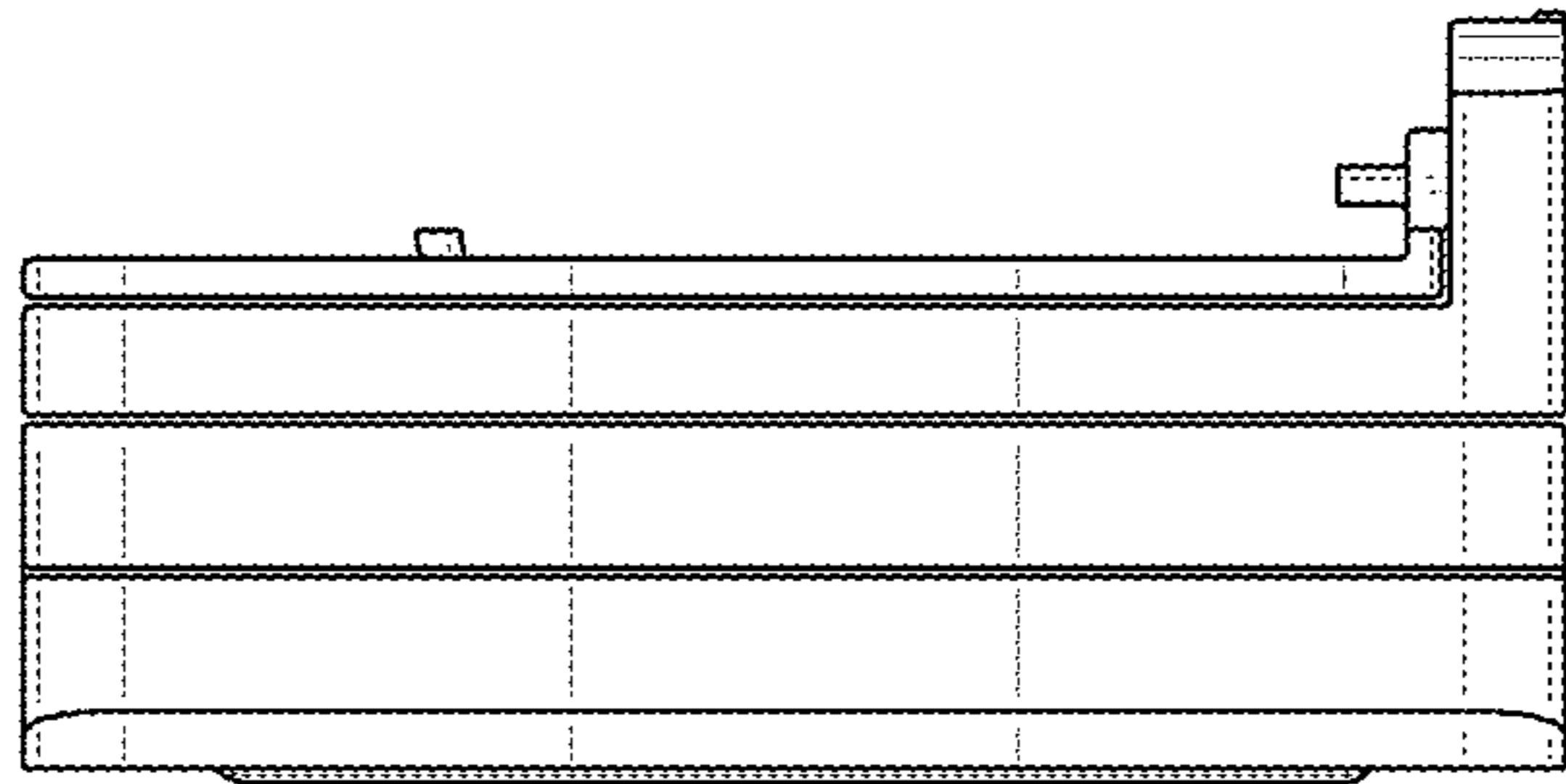


FIG. 13

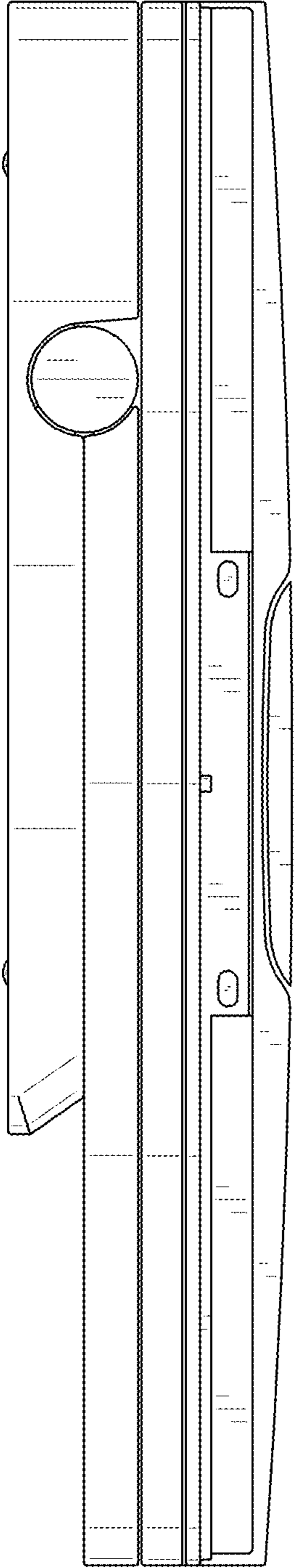


FIG. 15

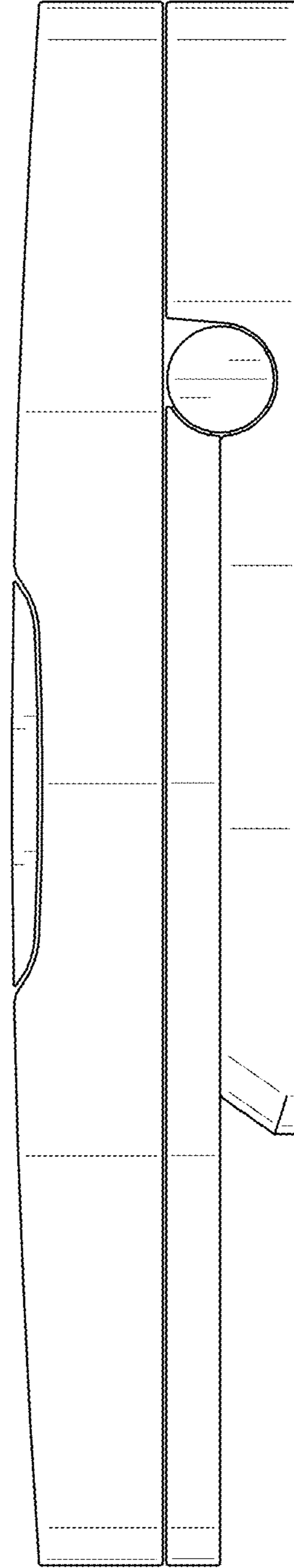


FIG. 16