



US00D906344S

(12) **United States Design Patent** (10) **Patent No.:** **US D906,344 S**
Liu et al. (45) **Date of Patent:** **** Dec. 29, 2020**

(54) **PILLAR HAVING A ROTATING SPHERICAL PIVOT**

(71) Applicant: **FLYTECH TECHNOLOGY CO., LTD**, Taipei (TW)

(72) Inventors: **Yun-Ping Liu**, Taipei (TW);
Chiung-Yin Huang, Taipei (TW)

(73) Assignee: **FLYTECH TECHNOLOGY CO., LTD**, Taipei (TW)

(**) Term: **15 Years**

(21) Appl. No.: **29/678,267**

(22) Filed: **Jan. 28, 2019**

(30) **Foreign Application Priority Data**

Oct. 26, 2018 (TW) 107306347

(51) **LOC (12) Cl.** **14-02**

(52) **U.S. Cl.**
USPC **D14/447**

(58) **Field of Classification Search**
USPC D14/142, 146, 237, 251, 316, 373, 374,
D14/375, 376, 377, 432, 433, 437, 451,
D14/448, 434; D18/12, 12.1, 12.3, 56,
D18/59; D13/108

CPC H04N 1/00562; H04N 1/00559; G06F
3/041; G02F 1/13338

See application file for complete search history.

(56) **References Cited**

U.S. PATENT DOCUMENTS

D195,129 S * 4/1963 Dreyfuss et al. D14/142
D323,085 S * 1/1992 Konkel 248/158
D425,036 S * 5/2000 Copus D14/126
D545,826 S * 7/2007 Richter D14/251
D686,213 S * 7/2013 Haymond D14/432
D696,674 S * 12/2013 Vogel D14/447
D724,598 S * 3/2015 Gelsomini D14/447

D728,576 S * 5/2015 David D14/434
D733,160 S * 6/2015 Lee D14/451
D761,350 S * 7/2016 Beatty D18/12
D775,131 S * 12/2016 Claudepierre D14/434
D806,084 S * 12/2017 Nelson D14/447
D806,085 S * 12/2017 Nelson D14/447
D806,714 S * 1/2018 Nelson D14/447
D844,581 S * 4/2019 Zhou D14/142
D881,201 S * 4/2020 Lou D14/447
D884,705 S * 5/2020 Sweet D14/433
D884,711 S * 5/2020 Zhang D14/447

(Continued)

OTHER PUBLICATIONS

Terminal Stand, dated Jul. 12, 2016, [online], [site visited May 22, 2020], Available from Internet, URL: <https://www.amazon.com/Verifone-Mx915-Mx925-Lockable-Terminal/dp/B06XD84L6S> (Year: 2016).*

Primary Examiner — Karen E Kearney

Assistant Examiner — Michael Chong

(74) *Attorney, Agent, or Firm* — WPAT, PC

(57) **CLAIM**

The ornamental design for a pillar having a rotating spherical pivot, as shown and described.

DESCRIPTION

FIG. 1 is a perspective view of the pillar having a rotating spherical pivot showing my new design.

FIG. 2 is an another perspective view thereof;

FIG. 3 is a front view thereof;

FIG. 4 is a back view thereof;

FIG. 5 is a left view thereof;

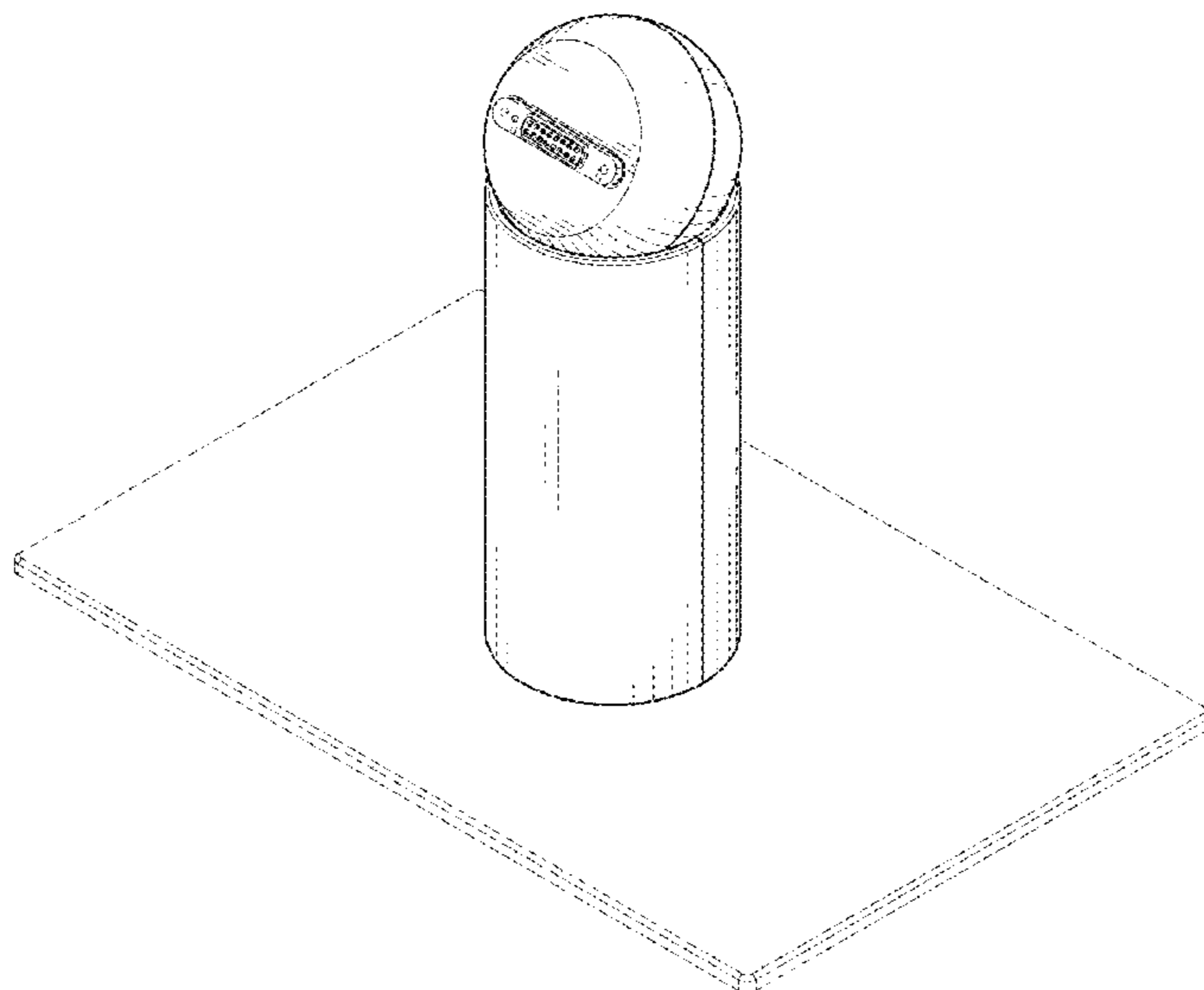
FIG. 6 is a right view thereof;

FIG. 7 is a top view thereof; and,

FIG. 8 is a bottom view thereof.

The broken lines are included for the purpose of illustrating portions of the pillar having a rotating spherical pivot and form no part of the claimed design.

1 Claim, 8 Drawing Sheets



(56)

References Cited

U.S. PATENT DOCUMENTS

D892,046 S *	8/2020	Peng	D13/108
D892,129 S *	8/2020	Bankov	D14/447
D893,500 S *	8/2020	Burmester	D14/447
D893,501 S *	8/2020	Burmester	D14/447
D893,502 S *	8/2020	Burmester	D14/447
D893,503 S *	8/2020	Burmester	D14/447
D895,636 S *	9/2020	Yang	D14/453
2007/0145210 A1 *	6/2007	Fawcett	F16M 11/08 248/176.1
2014/0059828 A1 *	3/2014	Reynolds	F16M 13/00 29/428
2014/0263884 A1 *	9/2014	Grziwok	F16M 11/08 248/176.3

* cited by examiner

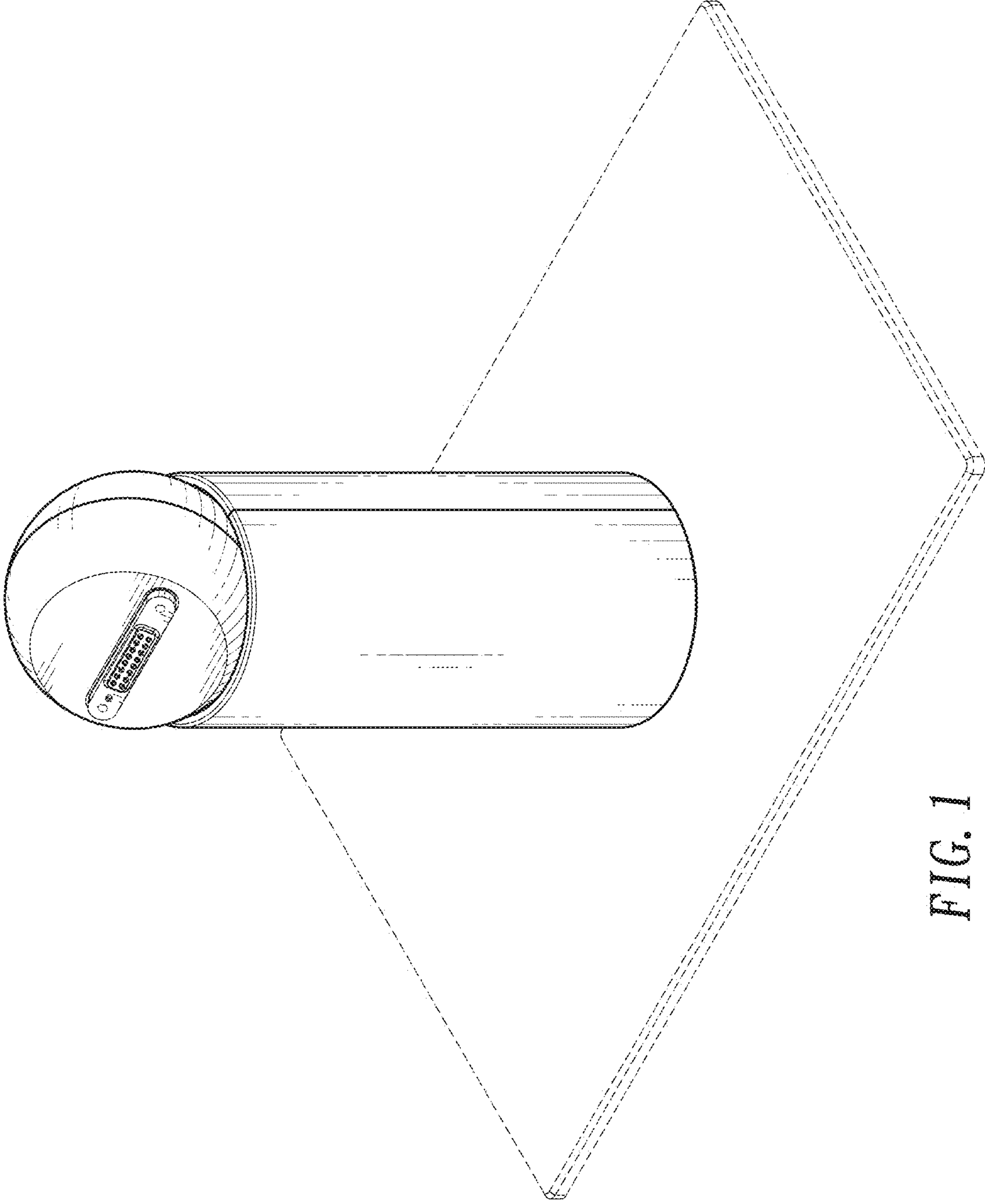


FIG. 1

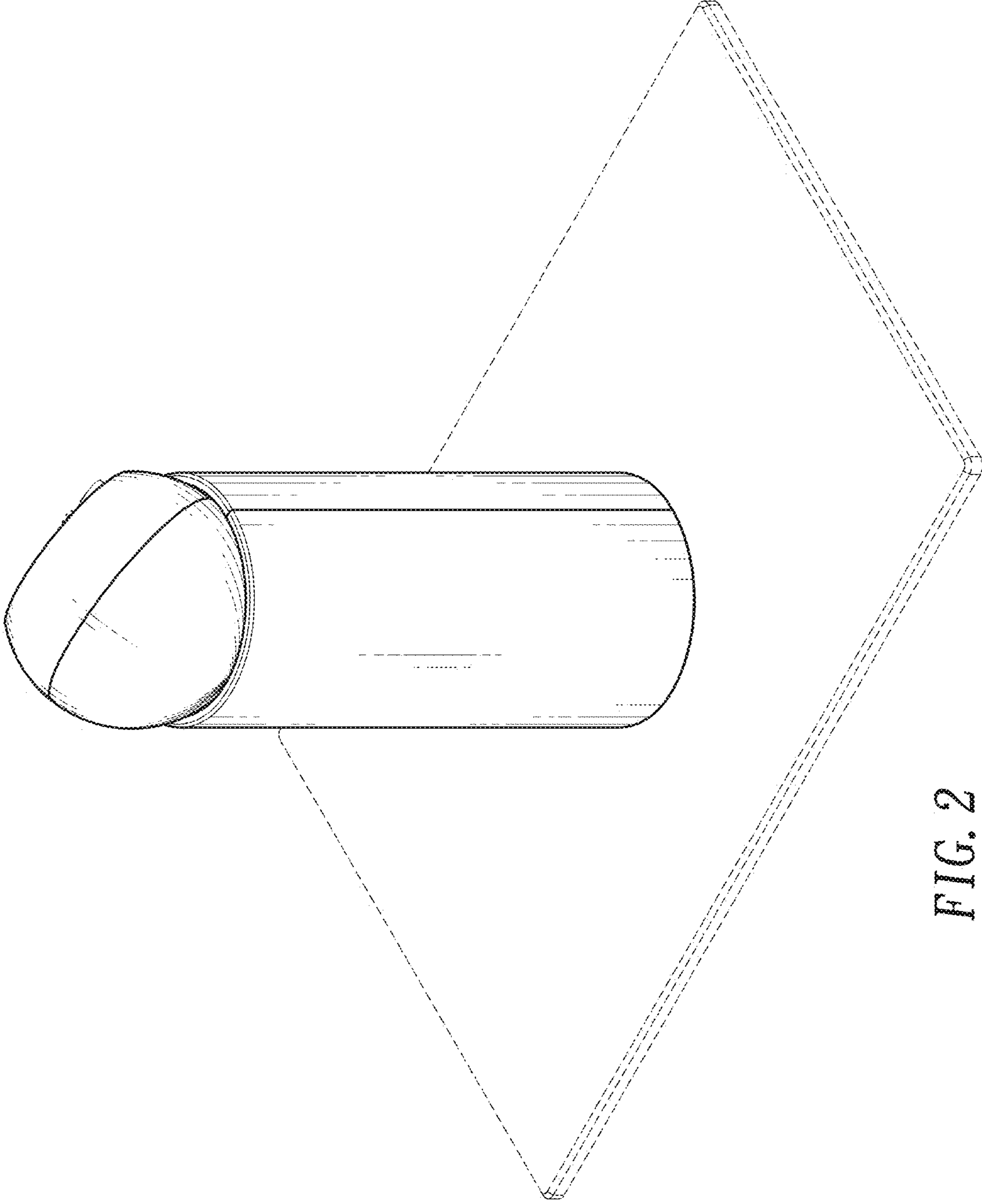


FIG. 2

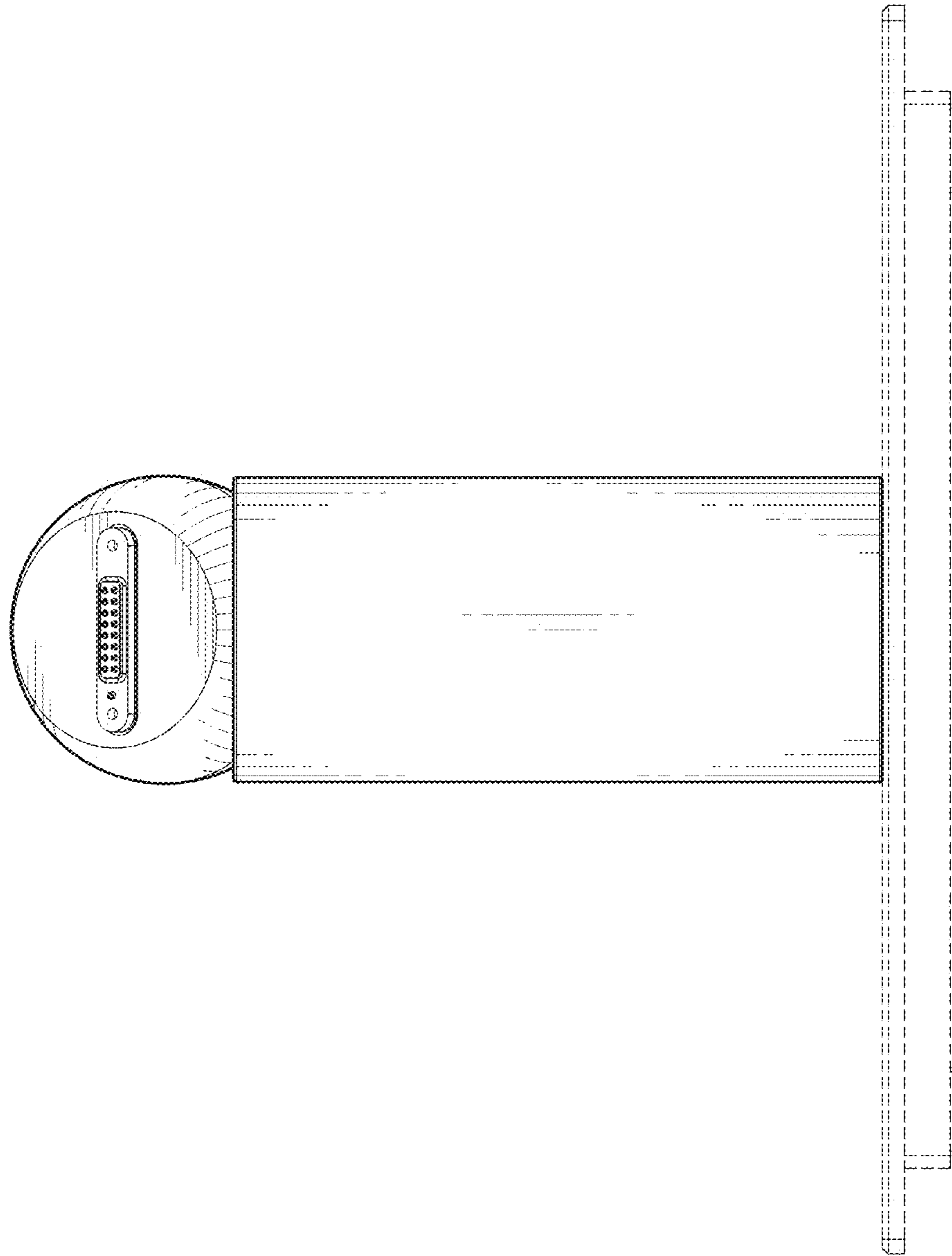


FIG. 3

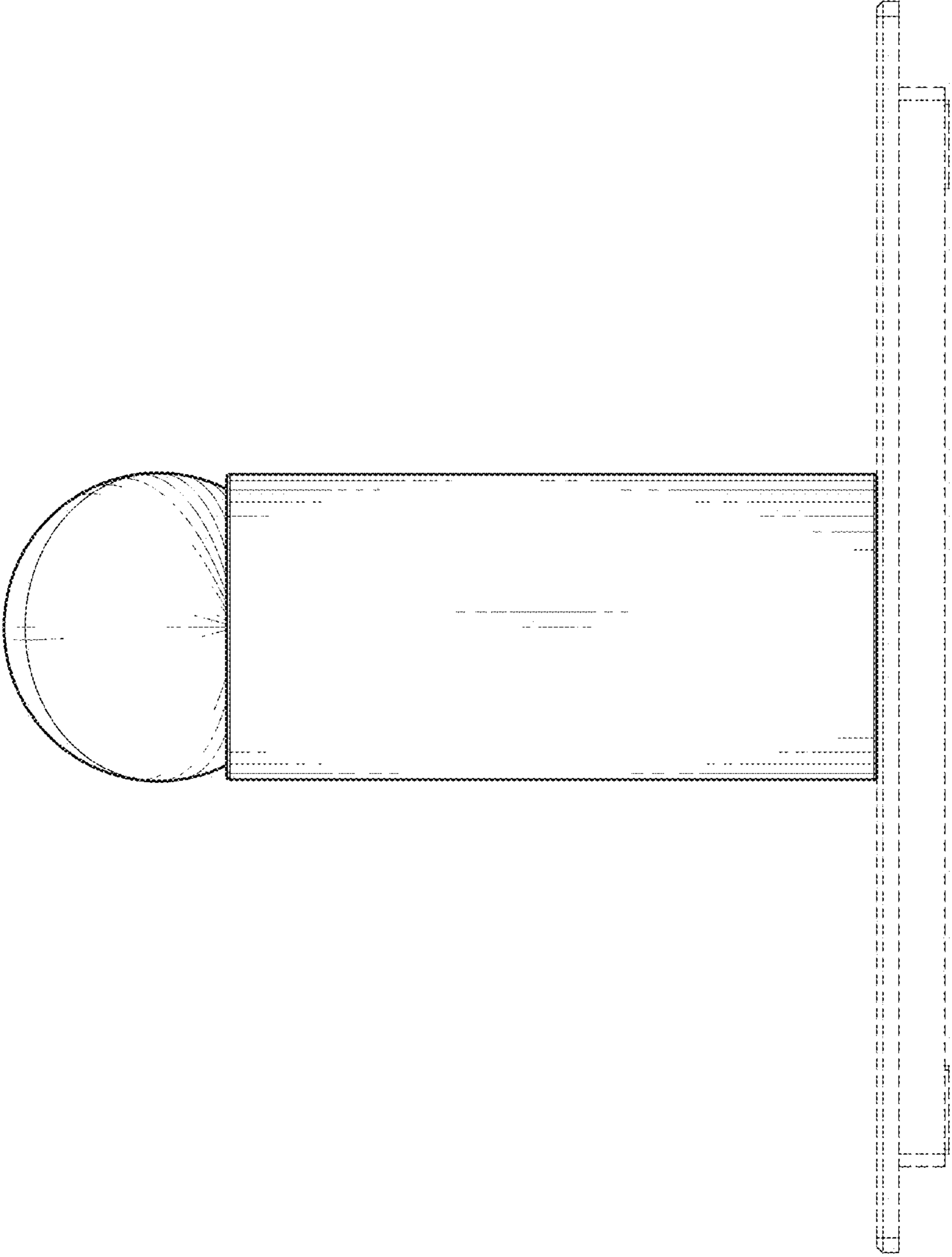


FIG. 4

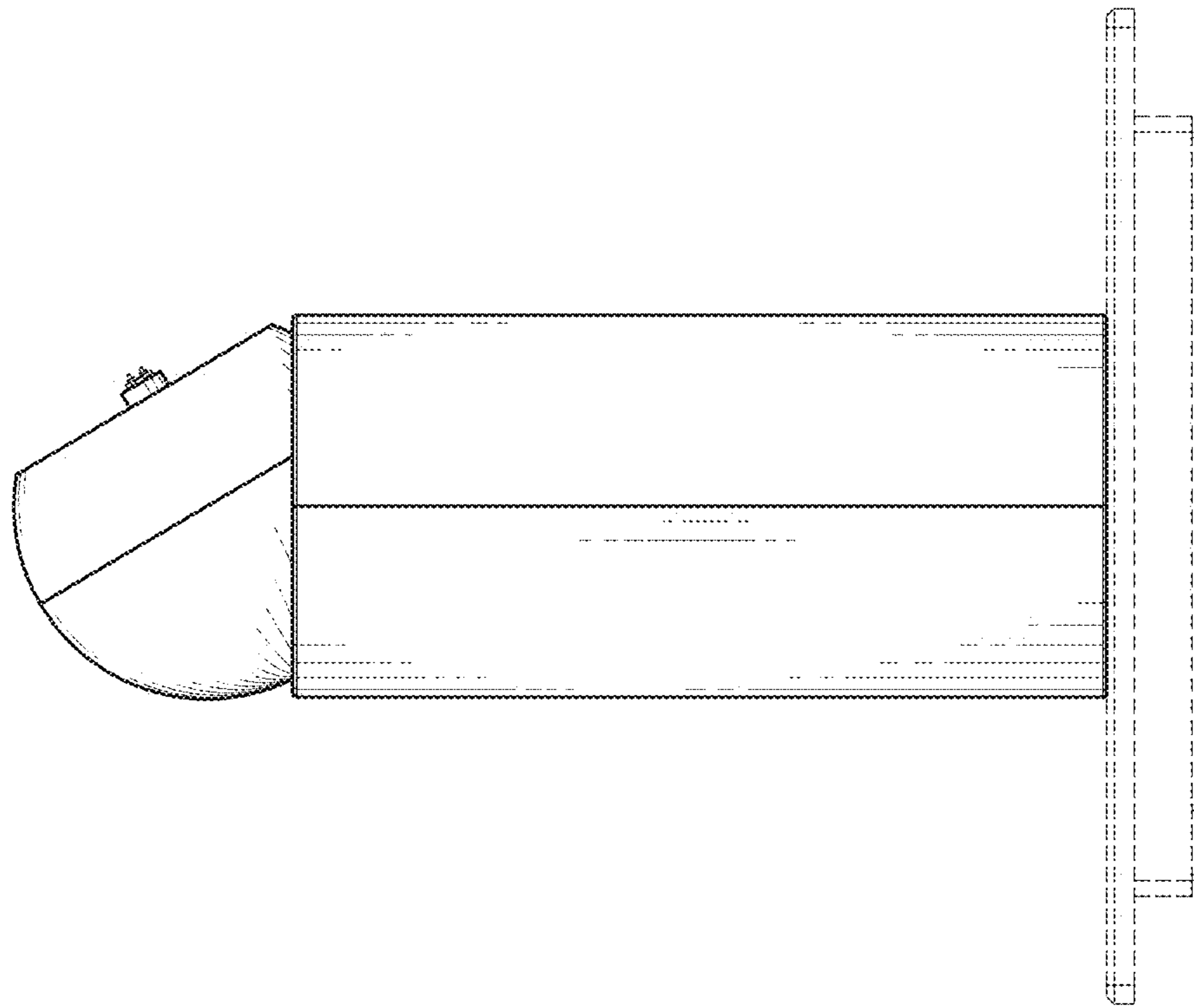


FIG. 5

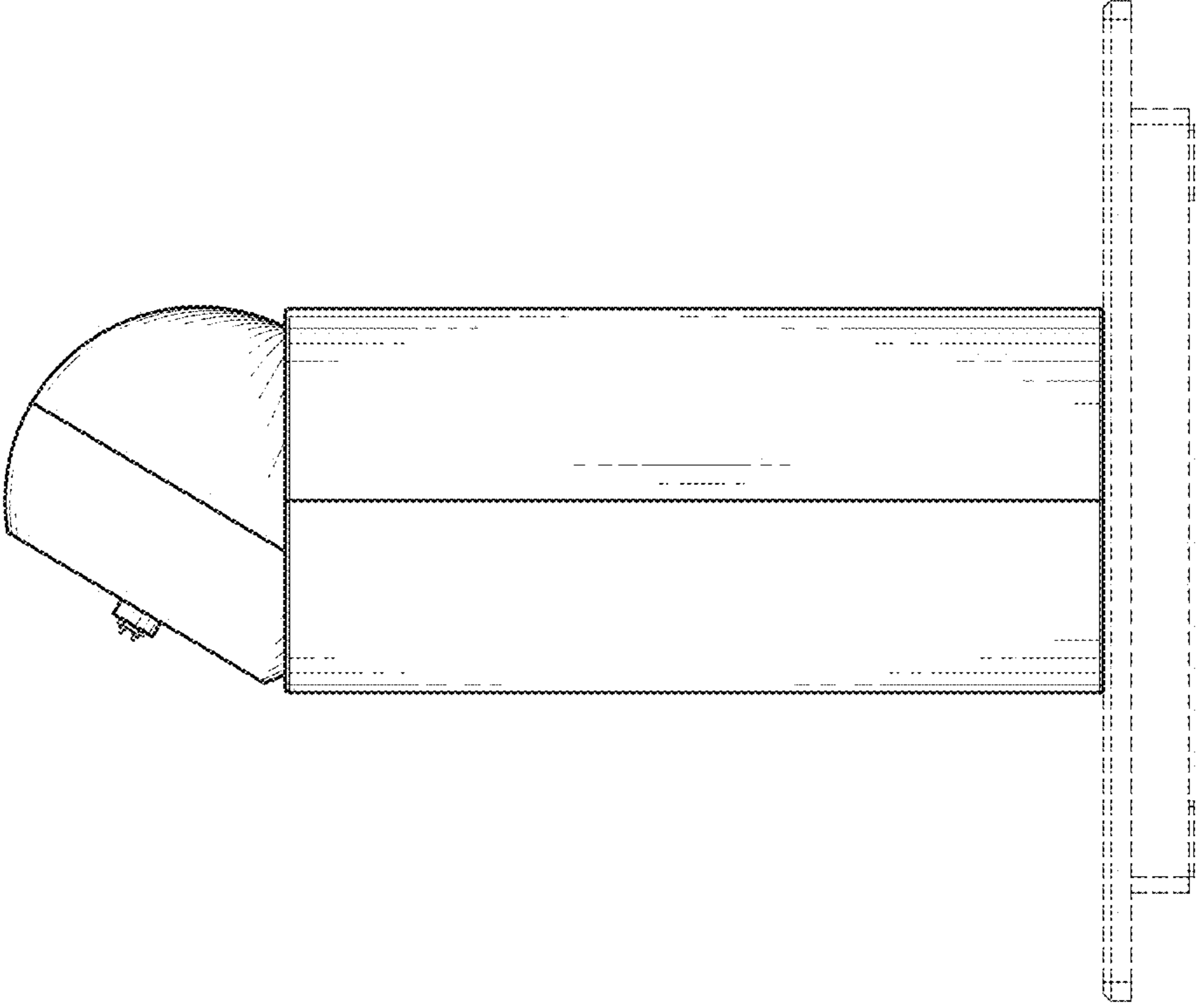


FIG. 6

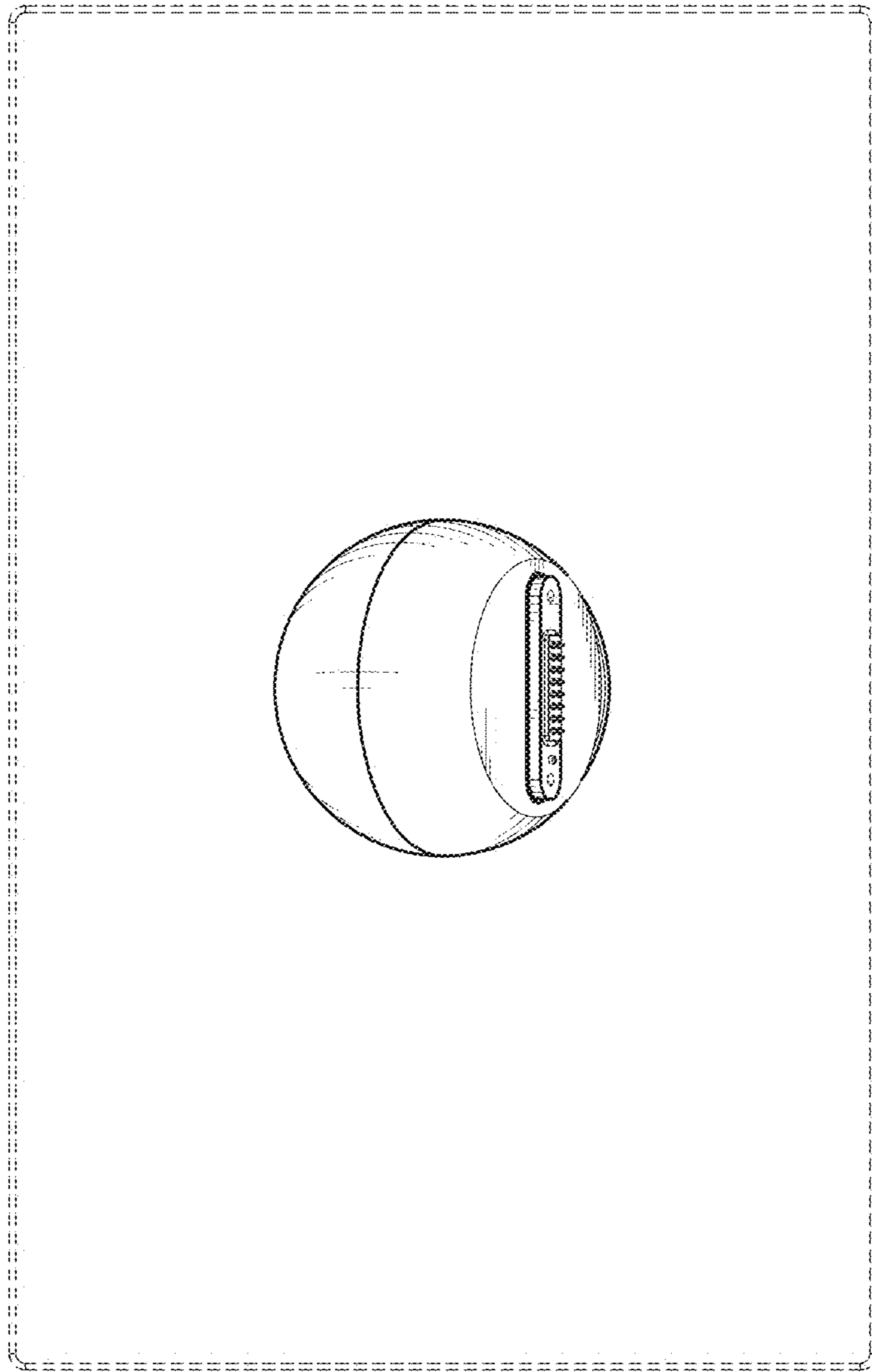


FIG. 7

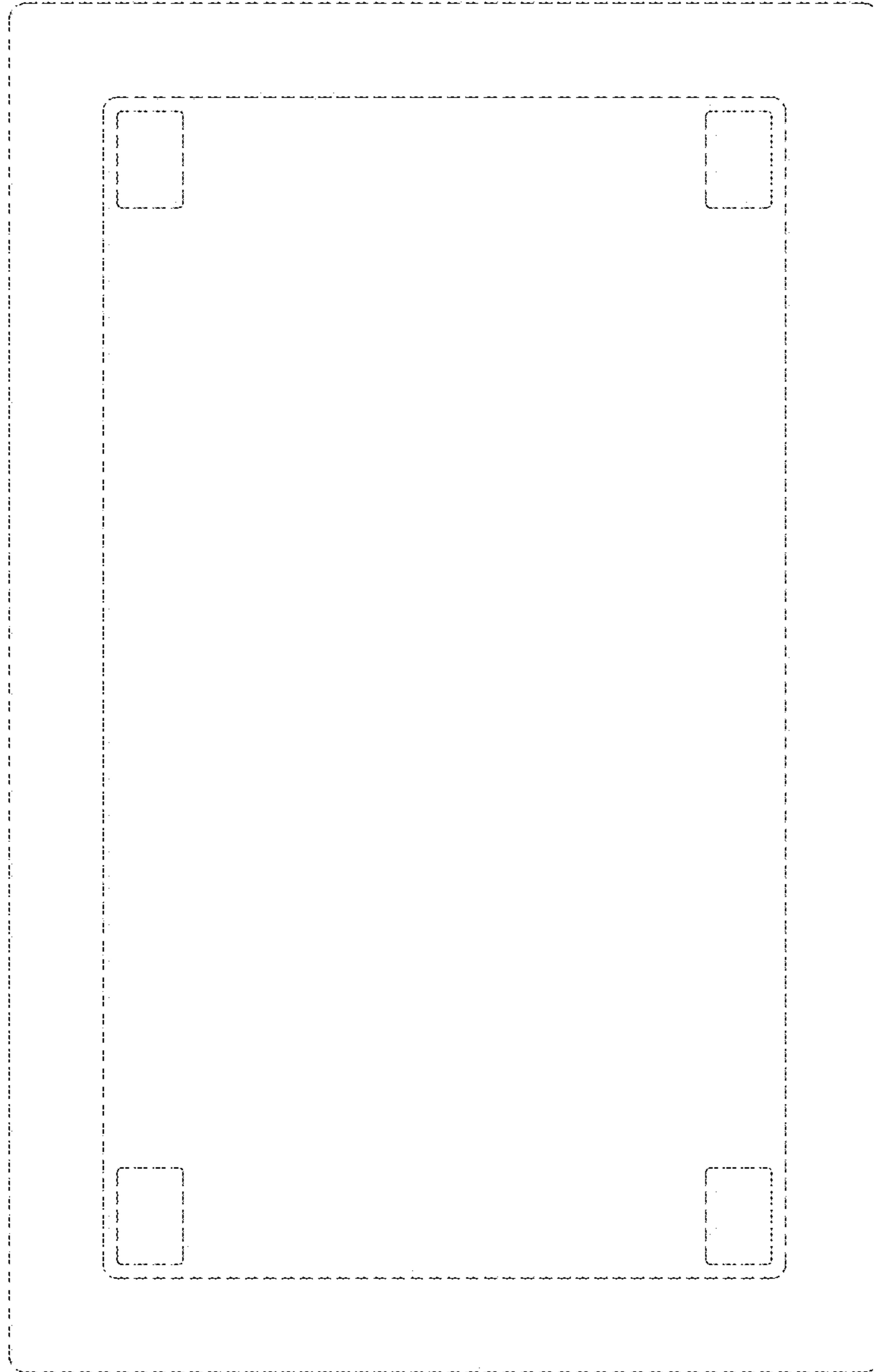


FIG. 8