

US00D906343S

(12) **United States Design Patent**
Li et al.

(10) **Patent No.:** **US D906,343 S**
(45) **Date of Patent:** **** Dec. 29, 2020**

(54) **HANDHELD STABILIZER**

(71) Applicant: **Guangdong Sirui Optical Co., Ltd.,**
Zhongshan (CN)

(72) Inventors: **Jie Li, Zhongshan (CN); Jieyong Chen,**
Zhongshan (CN)

(73) Assignee: **Guangdong Sirui Optical Co., Ltd.,**
Zhongshan (CN)

(**) Term: **15 Years**

(21) Appl. No.: **29/648,305**

(22) Filed: **May 20, 2018**

(30) **Foreign Application Priority Data**

Apr. 20, 2018 (CN) 2018 3 0166054

(51) **LOC (12) Cl.** **08-07**

(52) **U.S. Cl.**
USPC **D14/447**

(58) **Field of Classification Search**
USPC D14/447, 432, 434, 439, 440, 451, 452,
D14/457, 239; D8/363, 373, 380;
D6/406.3, 406.4, 406.5, 406.6, 691.1;
D12/415; D21/330, 331
CPC A47B 21/04; A47B 2097/006; A47B
2097/005; A47B 2023/049; A45C
2011/002; A45C 2011/003; F16M
2200/00; F16M 13/00
See application file for complete search history.

(56) **References Cited**

U.S. PATENT DOCUMENTS

D729,222 S * 5/2015 Grziwok D14/253
D739,410 S * 9/2015 Chun D14/447

D748,099 S * 1/2016 Heid D14/447
D771,614 S * 11/2016 Chang D14/253
D784,997 S * 4/2017 Cheng D14/447
D792,415 S * 7/2017 Tsai D14/447
D797,750 S * 9/2017 Wengreen D14/447
D799,492 S * 10/2017 Seiss D14/447
D825,574 S * 8/2018 Davies D14/447
D831,665 S * 10/2018 Yao D14/447
D863,411 S * 10/2019 Liao D16/243
D864,190 S * 10/2019 Richter D14/253
D867,355 S * 11/2019 Chun D14/253

* cited by examiner

Primary Examiner — Angela J Lee

(74) *Attorney, Agent, or Firm* — Loeb & Loeb LLP

(57) **CLAIM**

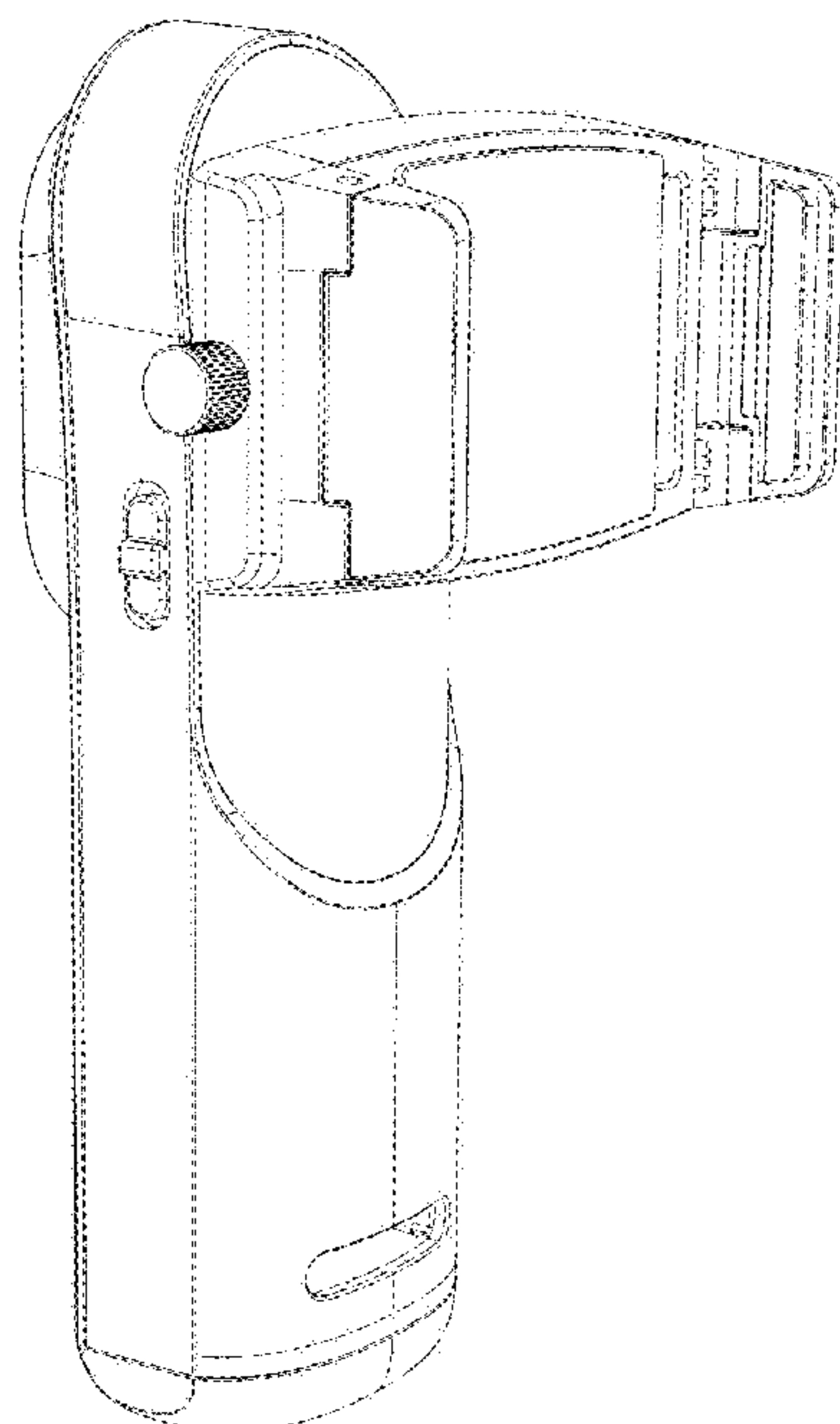
The ornamental design for a handheld stabilizer, as shown and described.

DESCRIPTION

FIG. 1 is a perspective view of a handheld stabilizer showing our new design;
FIG. 2 is a front elevational view thereof;
FIG. 3 is a rear elevational view thereof;
FIG. 4 is a right side elevational view thereof;
FIG. 5 is a left side elevational view thereof;
FIG. 6 is a top view thereof; and,
FIG. 7 is a bottom view thereof.

The dotted or broken lines in the drawings illustrating parts of the handheld stabilizer form no part of the claimed design.

1 Claim, 7 Drawing Sheets



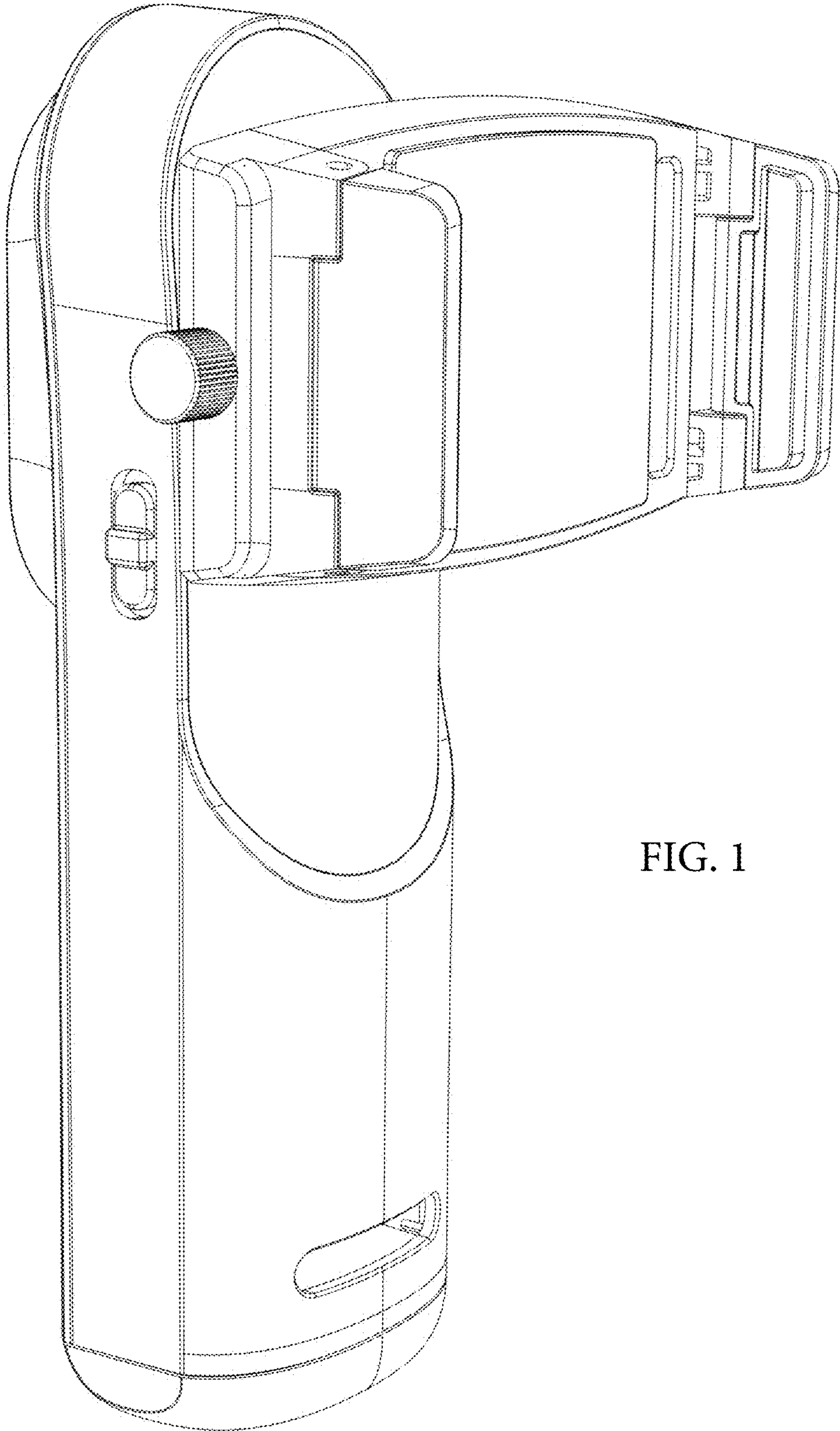


FIG. 1

FIG. 2

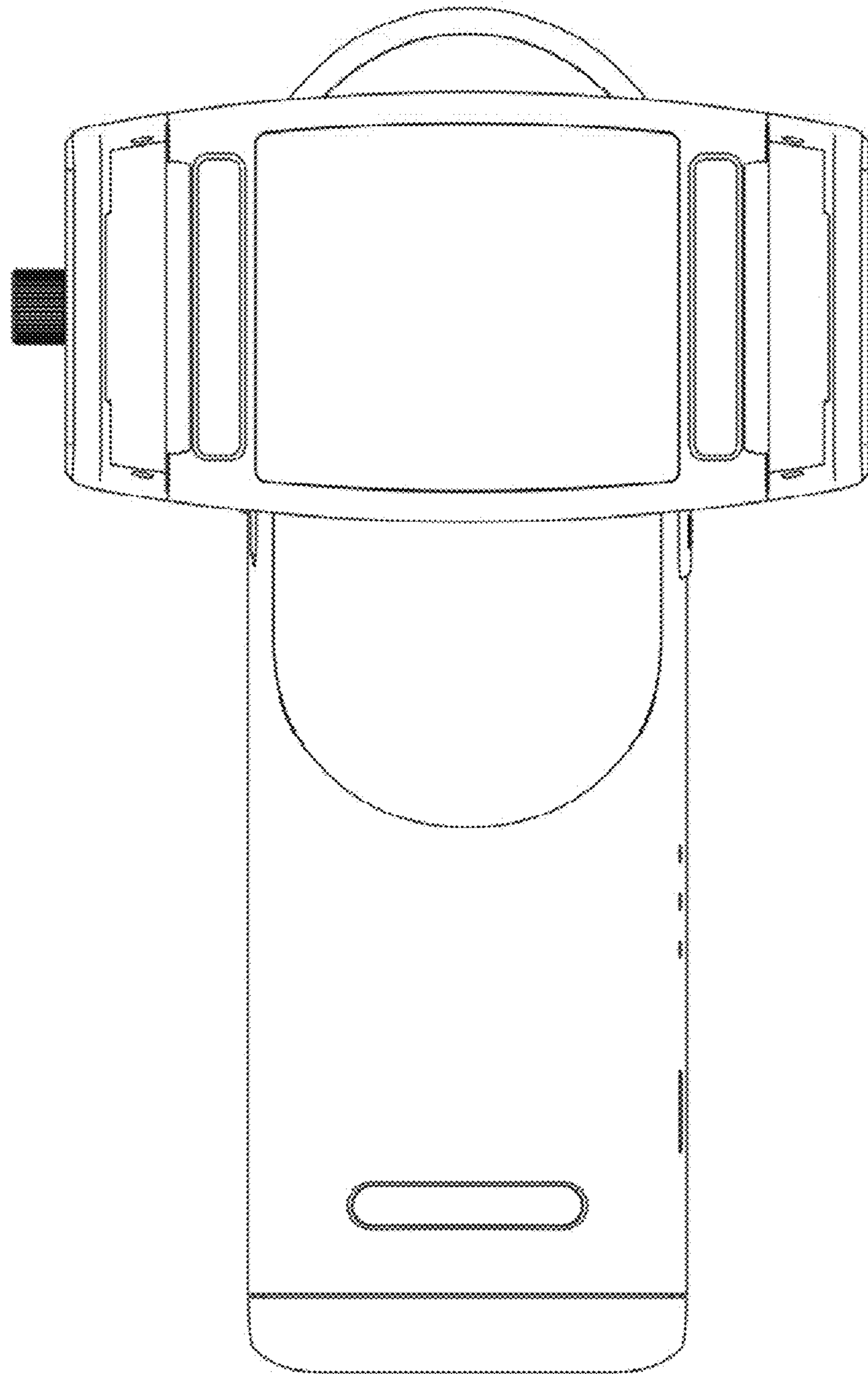


FIG. 3

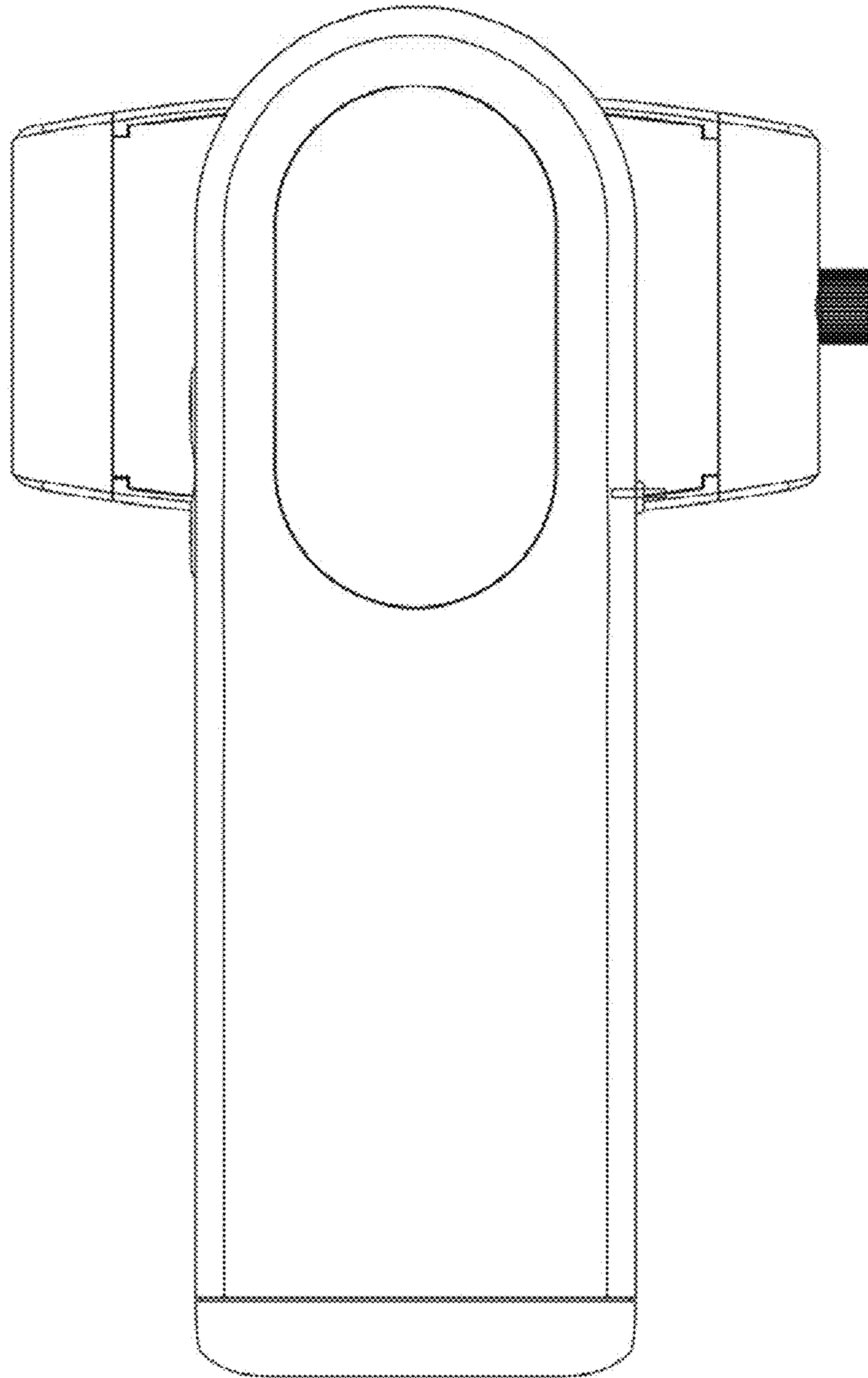


FIG. 4

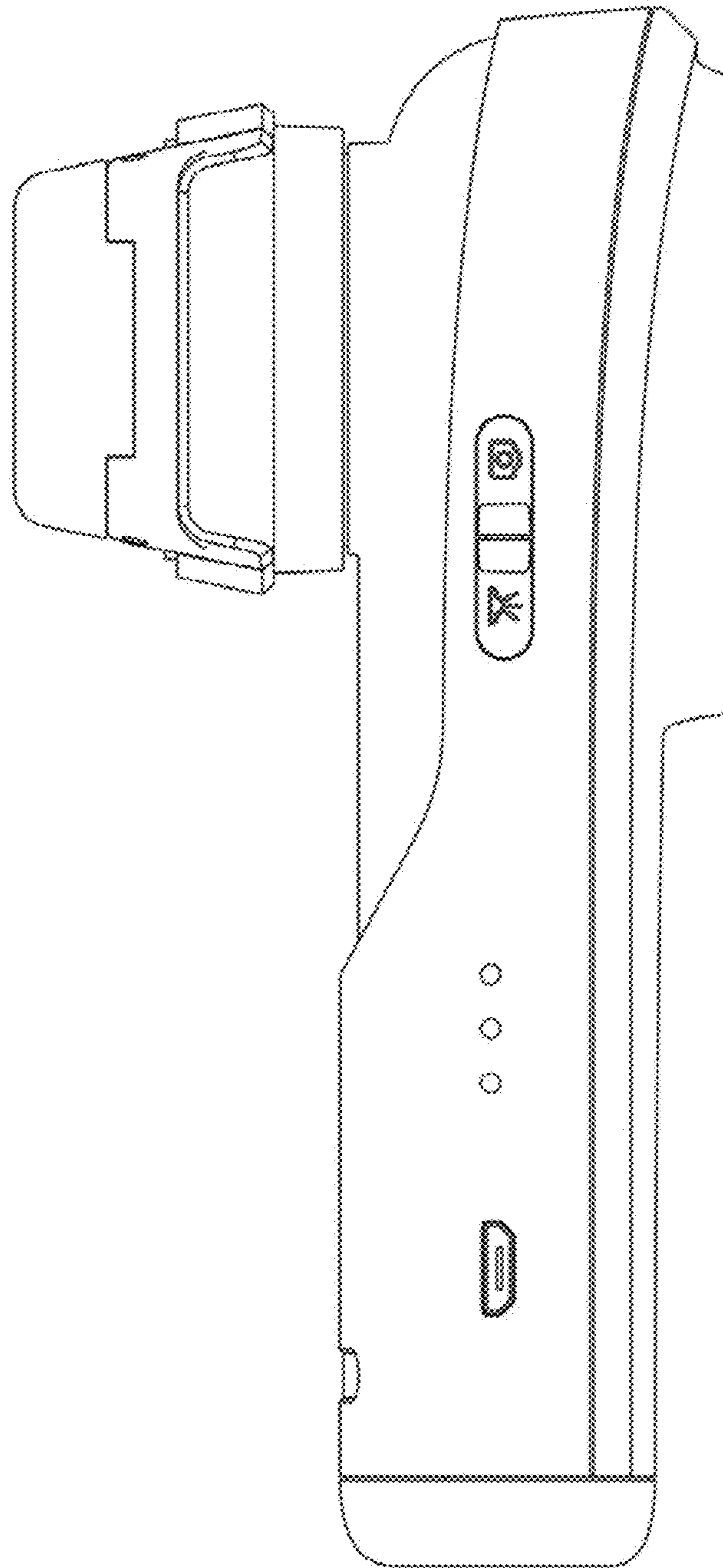


FIG. 5

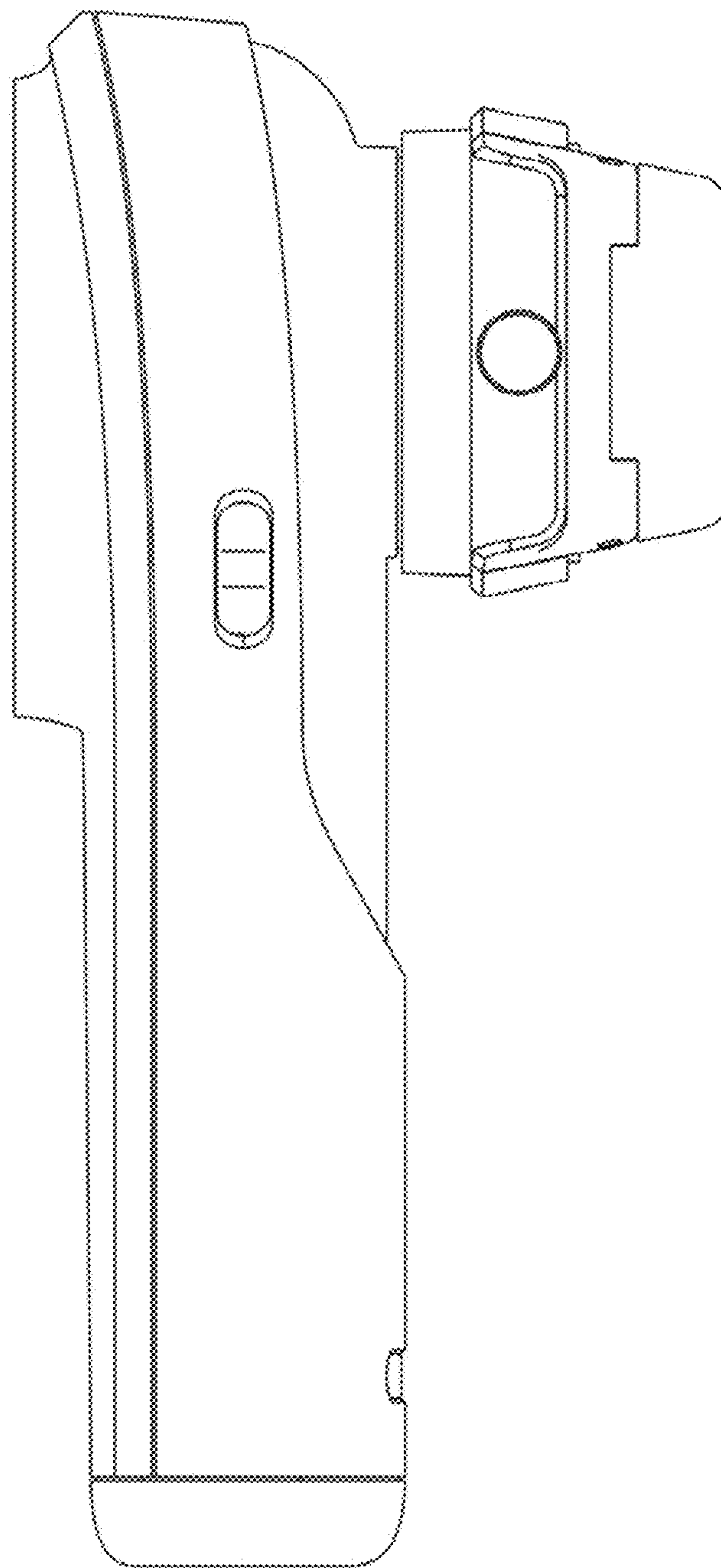
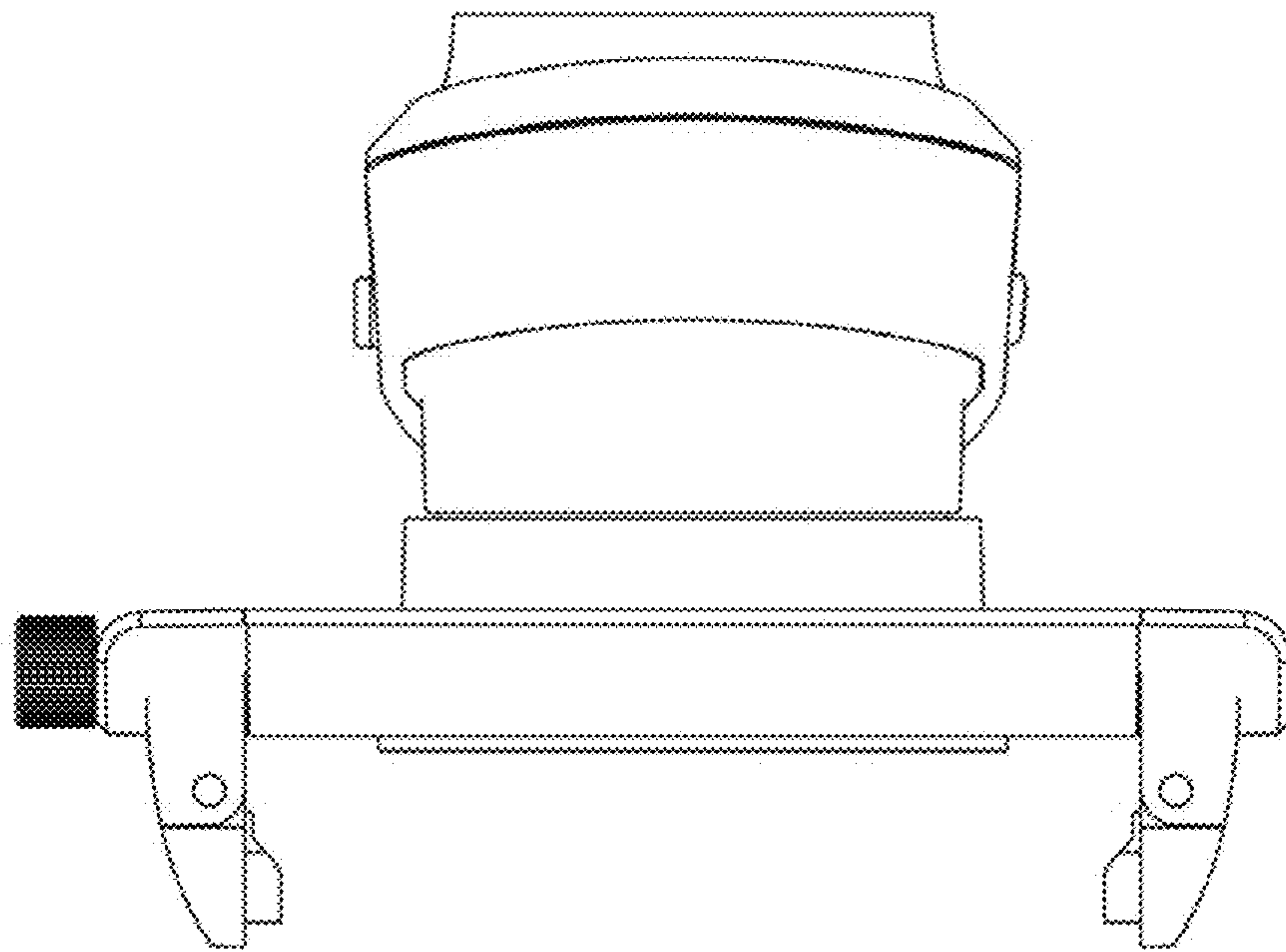


FIG. 6



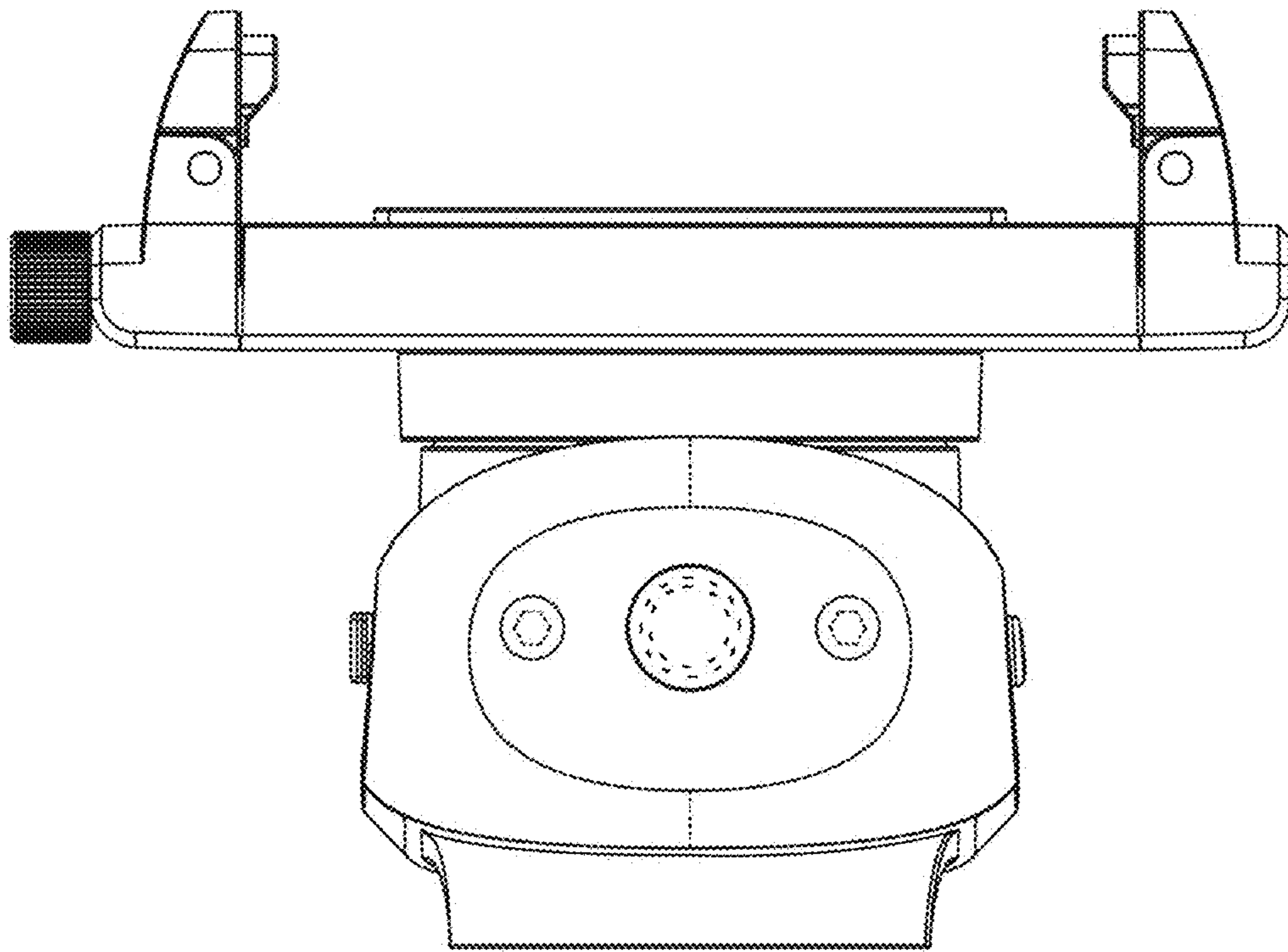


FIG. 7