



US00D906342S

(12) **United States Design Patent** (10) **Patent No.:** **US D906,342 S**
Lee (45) **Date of Patent:** **** Dec. 29, 2020**

(54) **COVER FOR ELECTRONIC DEVICE**
(71) Applicant: **elago CO. LTD**, Goyang-si (KR)
(72) Inventor: **Chanwoo Lee**, Goyang-si (KR)
(73) Assignee: **elago CO. LTD**, Goyang-si (KR)
(**) Term: **15 Years**

D873,019 S 1/2020 Seibert
D876,821 S * 3/2020 Lee D3/203.3
D881,181 S 4/2020 Wright et al.
D881,867 S * 4/2020 Lee D14/250
D883,296 S * 5/2020 Lee D14/440
D886,445 S 6/2020 Hyun
D886,453 S 6/2020 Wright et al.
D887,140 S 6/2020 Hyun

(Continued)

(21) Appl. No.: **29/750,230**
(22) Filed: **Sep. 11, 2020**
(51) **LOC (12) Cl.** **14-02**
(52) **U.S. Cl.**
USPC **D14/440**
(58) **Field of Classification Search**
USPC D14/440, 447, 250; 206/45.23, 320,
206/45.2; 361/679.55; 294/25; 224/218;
D3/294; D9/420
CPC G06F 1/1628; G06F 1/1626; A47B 23/044
See application file for complete search history.

FOREIGN PATENT DOCUMENTS

CN 305213288 6/2019
CN 305283190 8/2019

(Continued)

Primary Examiner — Cynthia R Underwood
(74) *Attorney, Agent, or Firm* — Paratus Law Group, PLLC

(57) **CLAIM**

The ornamental design for a cover for electronic device, as shown and described.

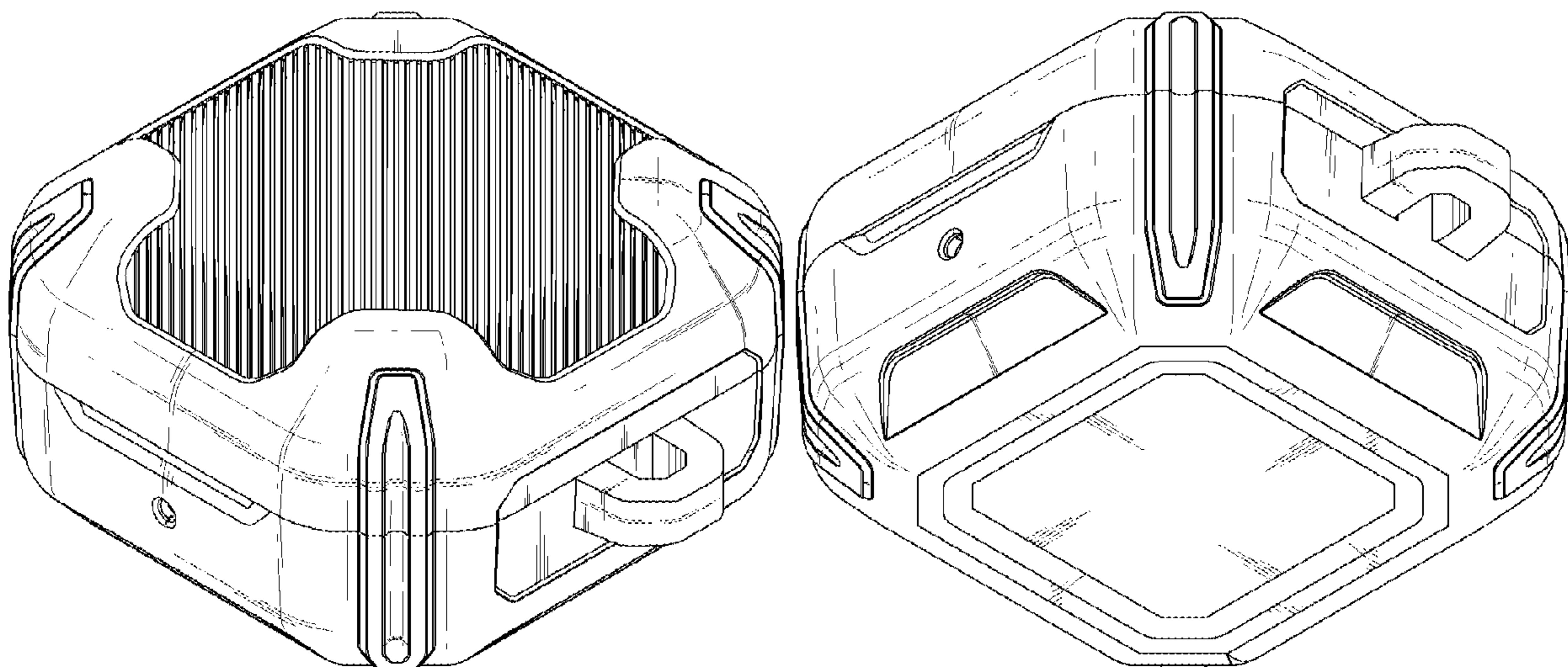
DESCRIPTION

FIG. 1 is a front, top, and right sides perspective view of a cover for electronic device, showing my design;
FIG. 2 is a front view thereof;
FIG. 3 is a back view thereof;
FIG. 4 is a left side view thereof;
FIG. 5 is a right side view thereof;
FIG. 6 is a top view thereof;
FIG. 7 is a bottom view thereof;
FIG. 8 is a back, top, and right sides perspective view thereof; and,
FIG. 9 is a front, bottom, and right sides perspective view thereof.
The interior parts of the cover for electronic device, seen through openings in FIGS. 1-3, 8, and 9, form no part of the claimed design.

(56) **References Cited**
U.S. PATENT DOCUMENTS

D419,768 S * 2/2000 Richardson D3/273
D465,330 S 11/2002 Parker
D516,807 S * 3/2006 Richardson D3/273
D563,093 S 3/2008 Nussberger
D756,626 S * 5/2016 Tollefsbol D3/201
D775,818 S 1/2017 Ingraham
D808,653 S * 1/2018 Rayeski D3/273
D813,909 S 3/2018 Lacy-Nichols
D821,306 S * 6/2018 Liu D13/107
D846,264 S 4/2019 Wu
D858,994 S * 9/2019 Chang D3/318
D858,995 S * 9/2019 Chang D3/318
D864,971 S * 10/2019 Lee D14/440
D868,453 S * 12/2019 Lee D3/201
D869,147 S 12/2019 Lian
D869,161 S * 12/2019 Zhong D3/294
D872,094 S * 1/2020 Wright D14/440

1 Claim, 5 Drawing Sheets



(56)

References Cited

U.S. PATENT DOCUMENTS

D888,663 S * 6/2020 Weng D13/108
D890,765 S * 7/2020 Lee D14/440
D891,434 S * 7/2020 Lee D14/440
D891,774 S * 8/2020 Yu D3/294
D892,499 S * 8/2020 Wright D3/303
D895,287 S * 9/2020 Hyun D3/302
D895,288 S * 9/2020 Hyun D3/302
D901,177 S * 11/2020 Wei D3/294
2011/0127264 A1* 6/2011 Whalen A45C 13/1084
220/203.01

FOREIGN PATENT DOCUMENTS

CN 305701911 4/2020
CN 305881852 6/2020
CN 305881913 6/2020
CN 305960258 8/2020
EM 007735204-0080 8/2020
KR 301057956.0000 5/2020
KR 301071466.0000 8/2020
WO WO 98/23080 A2 5/1998

* cited by examiner

FIG. 1

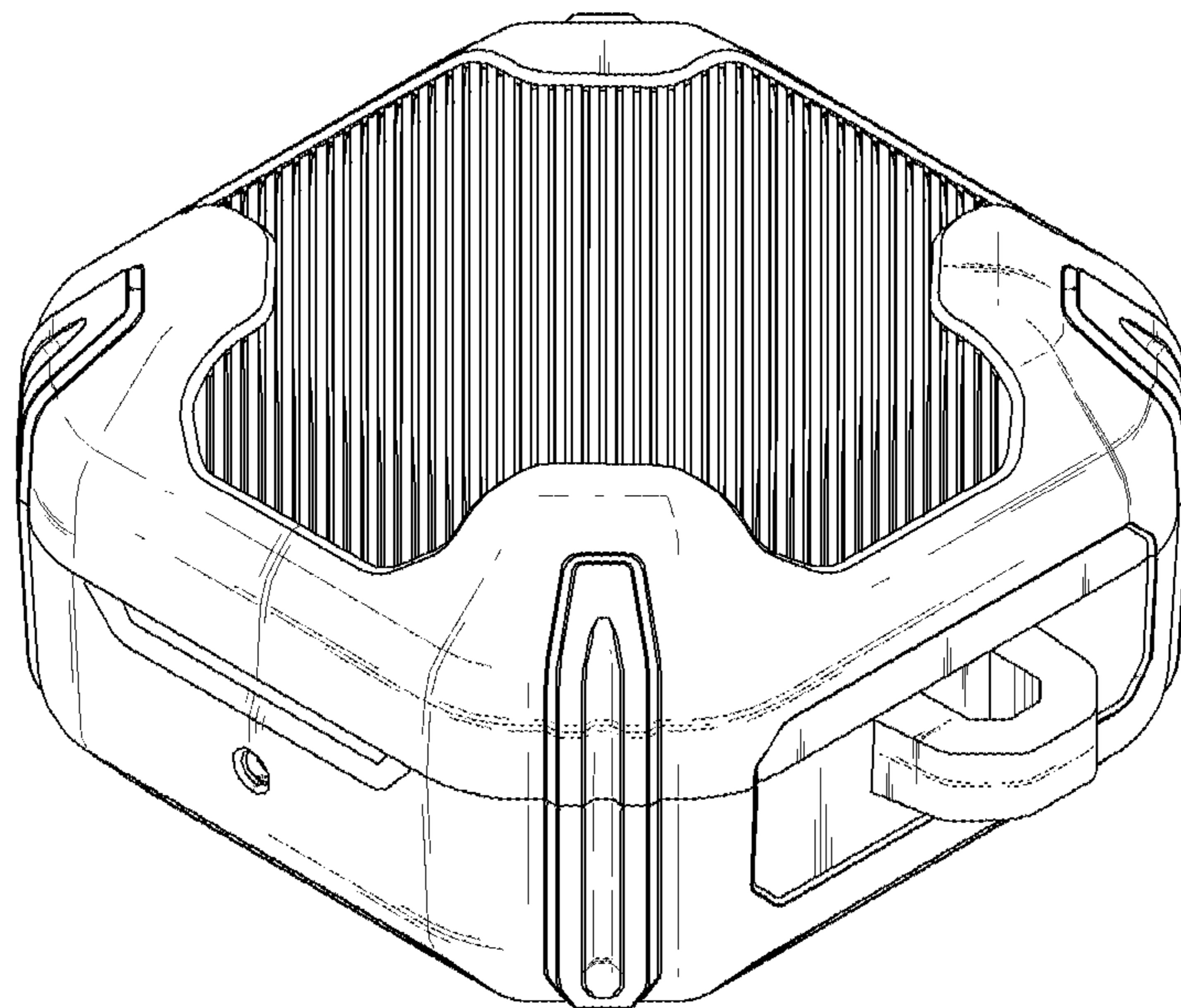


FIG. 2

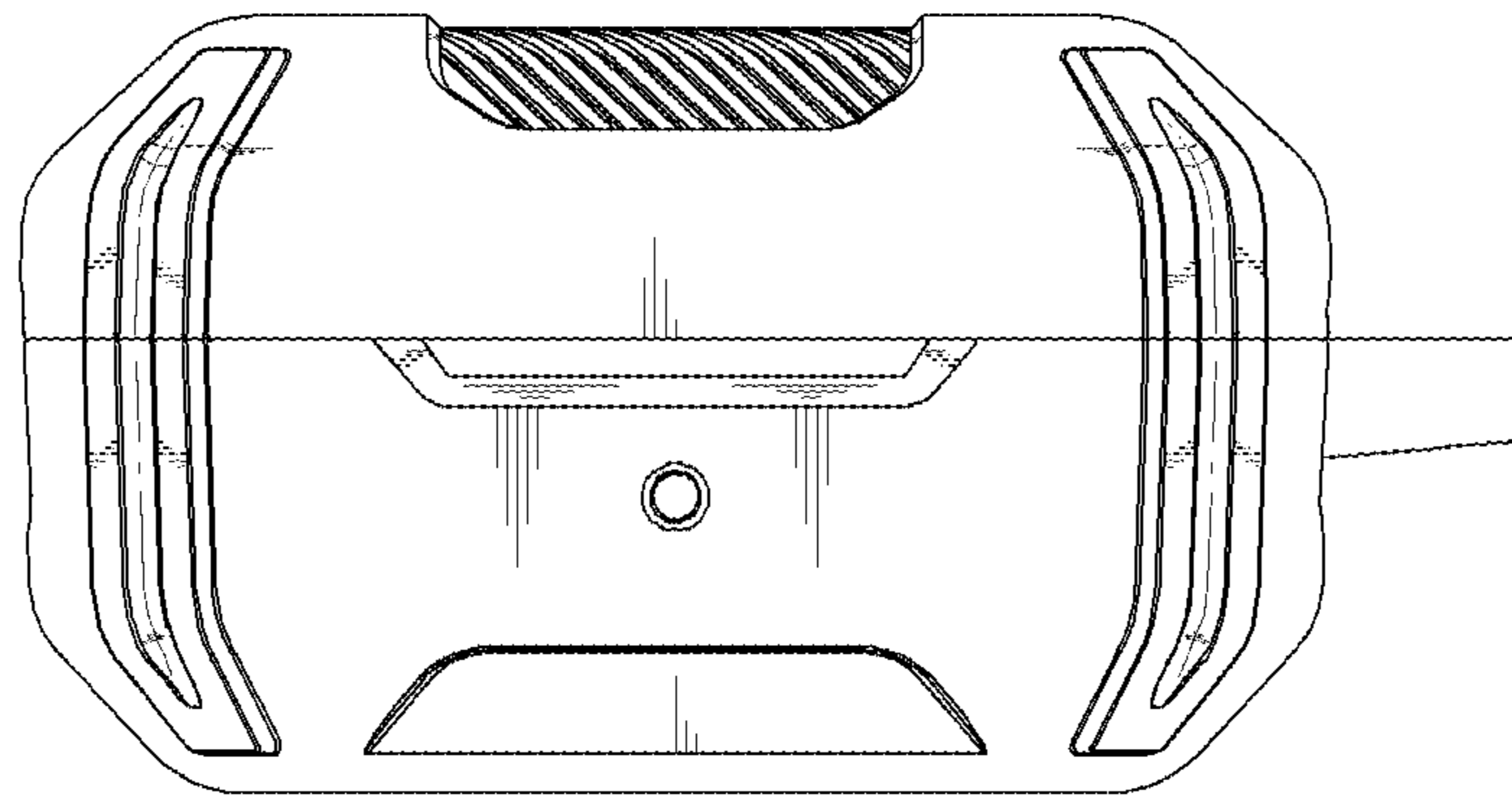


FIG. 3

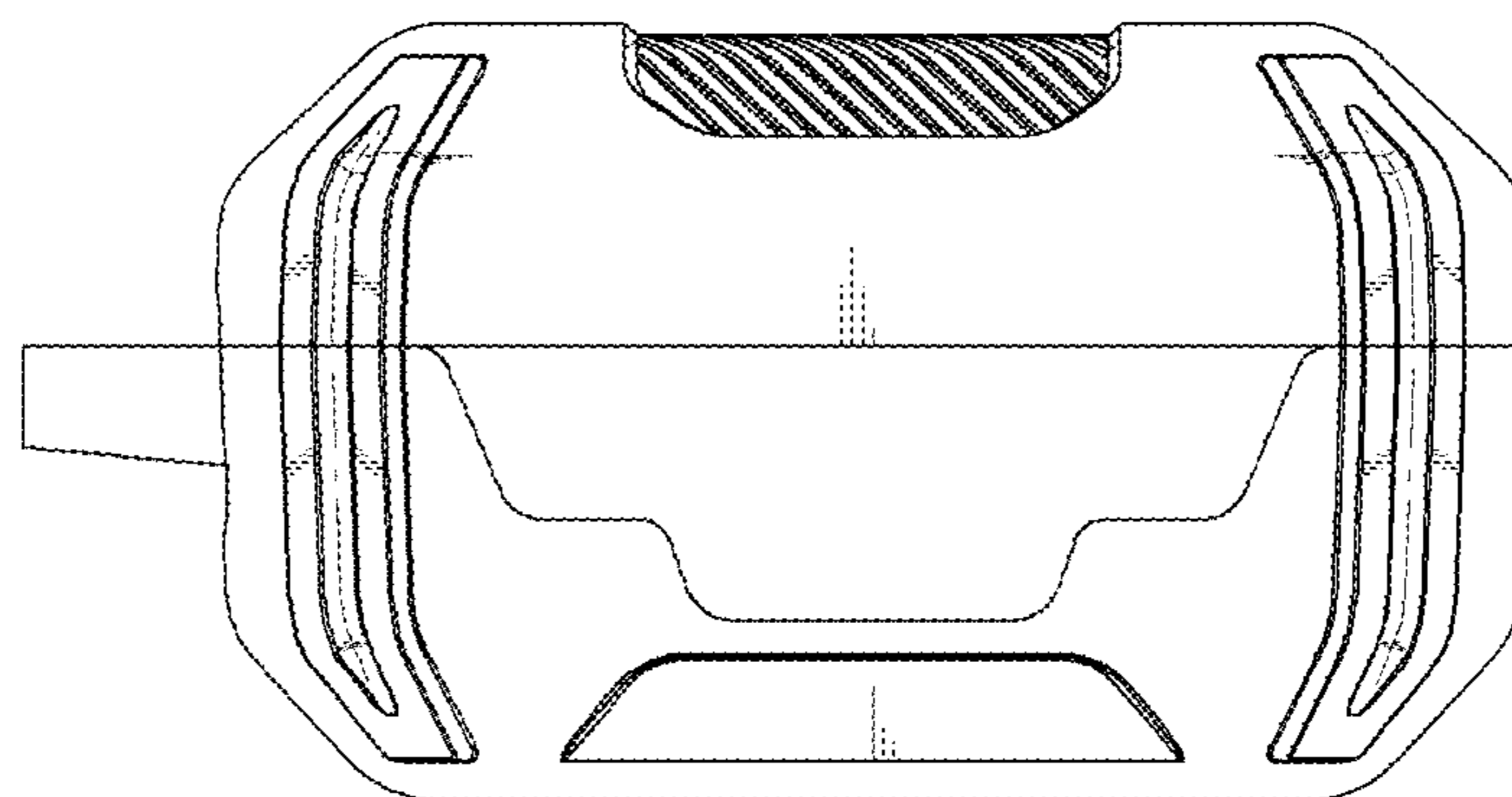


FIG. 4

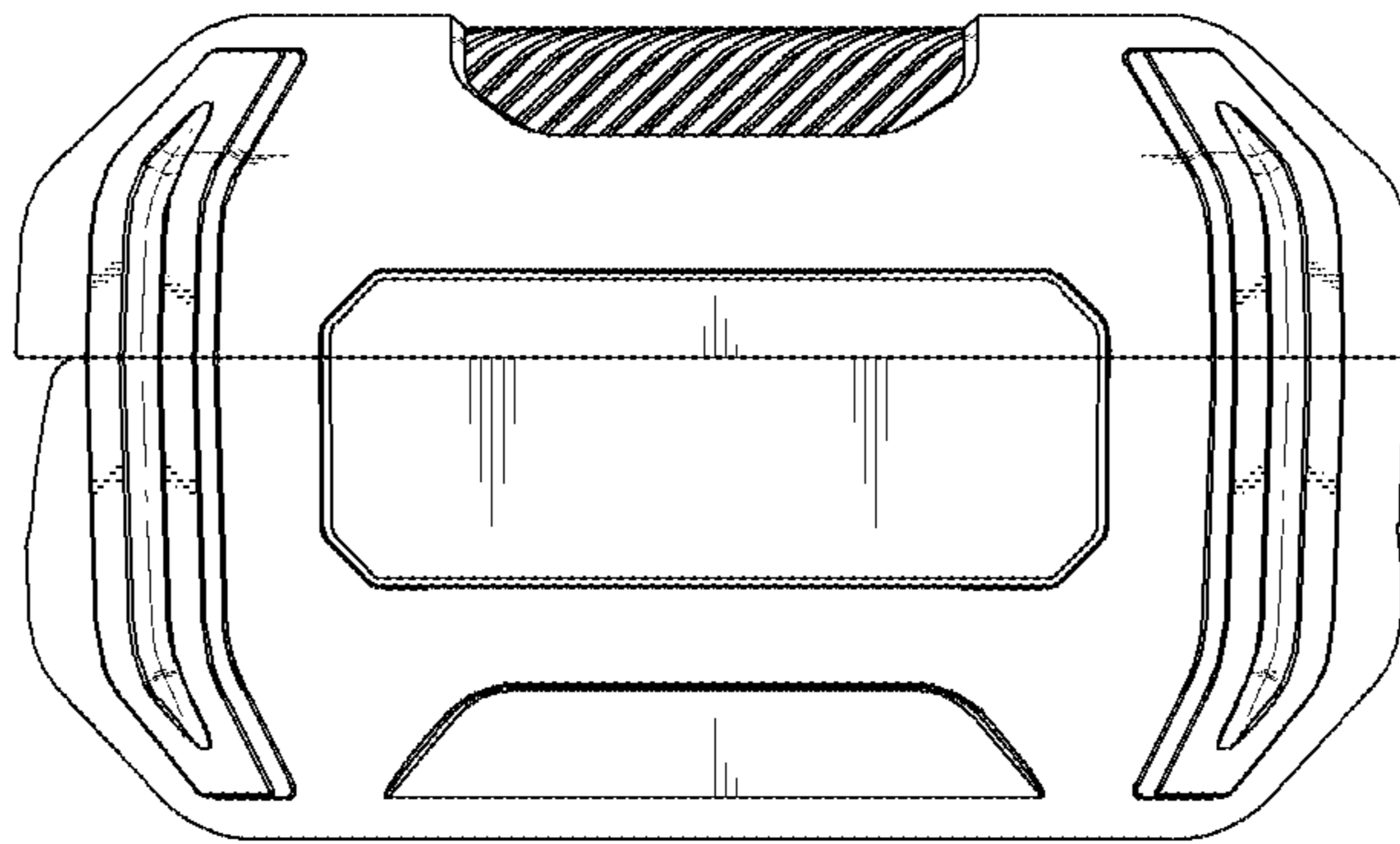


FIG. 5

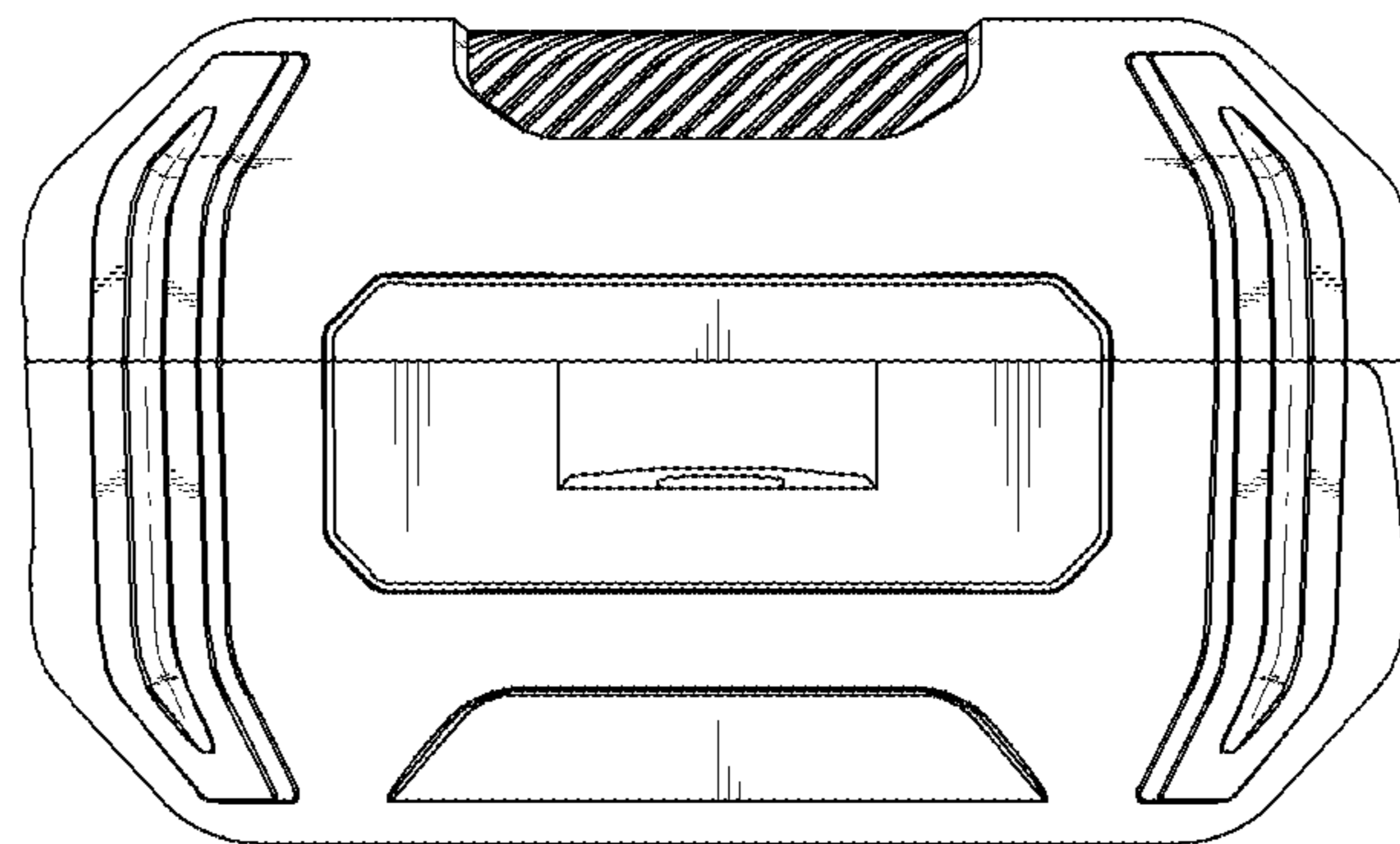


FIG. 6

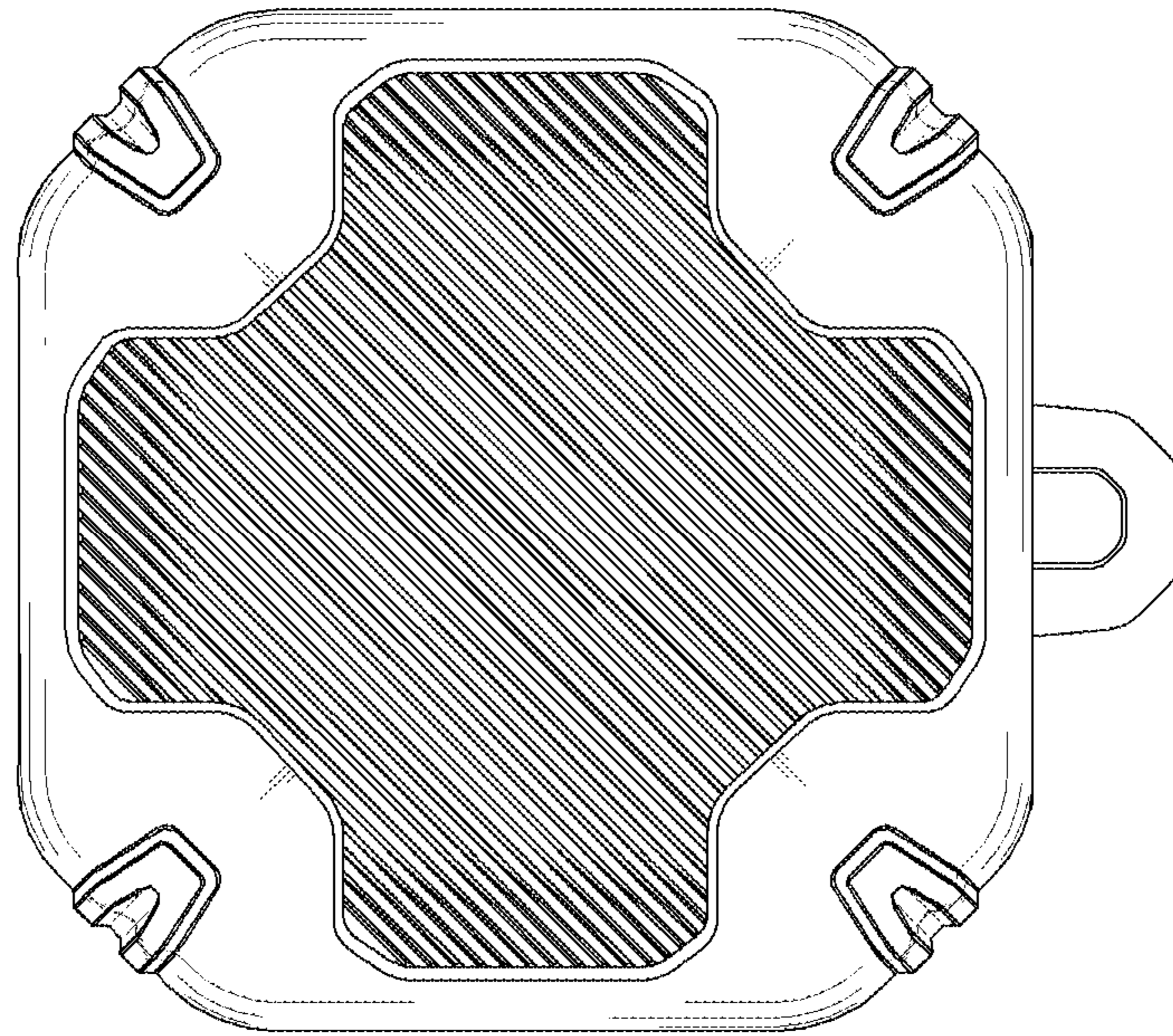


FIG. 7

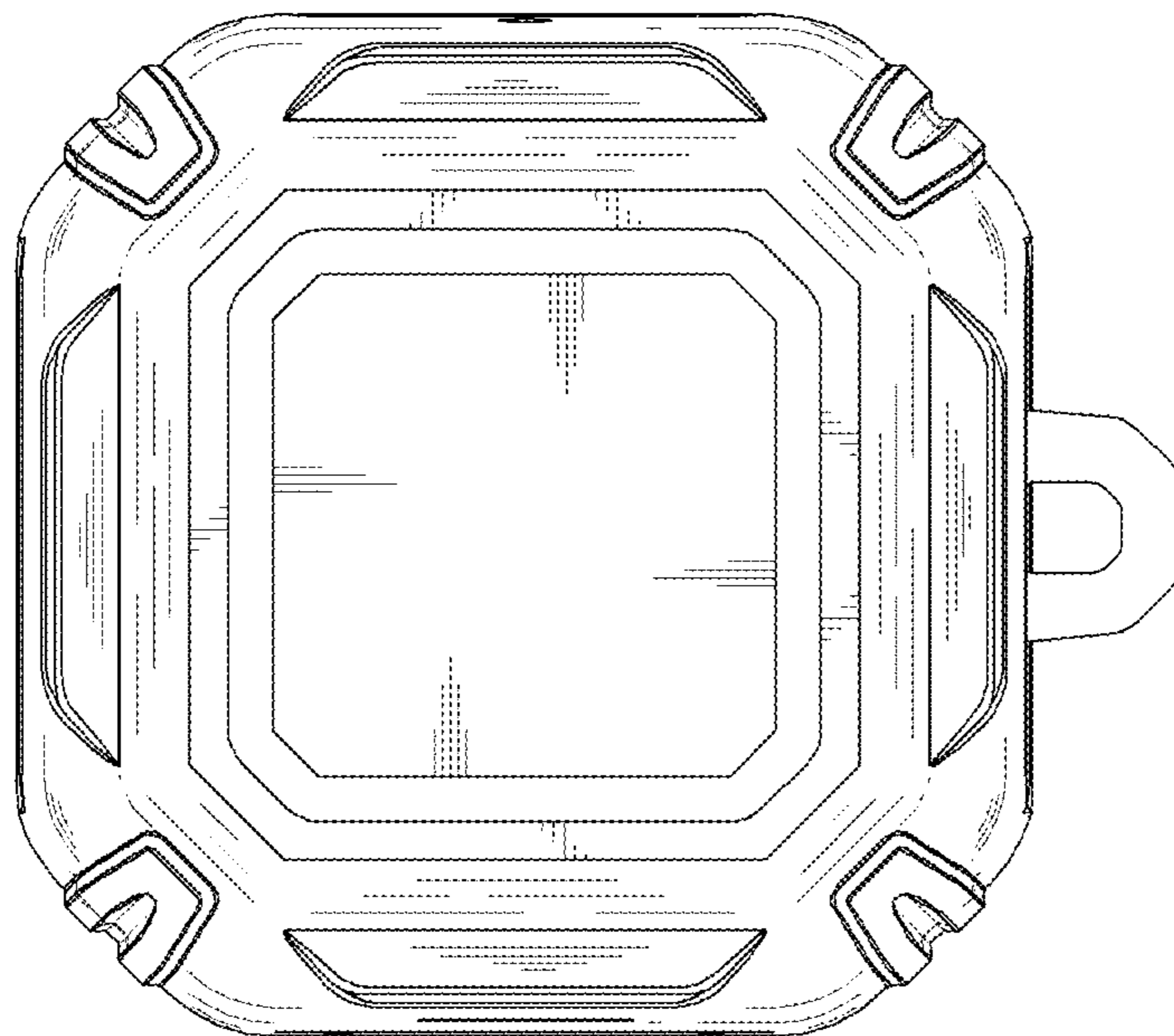


FIG. 8

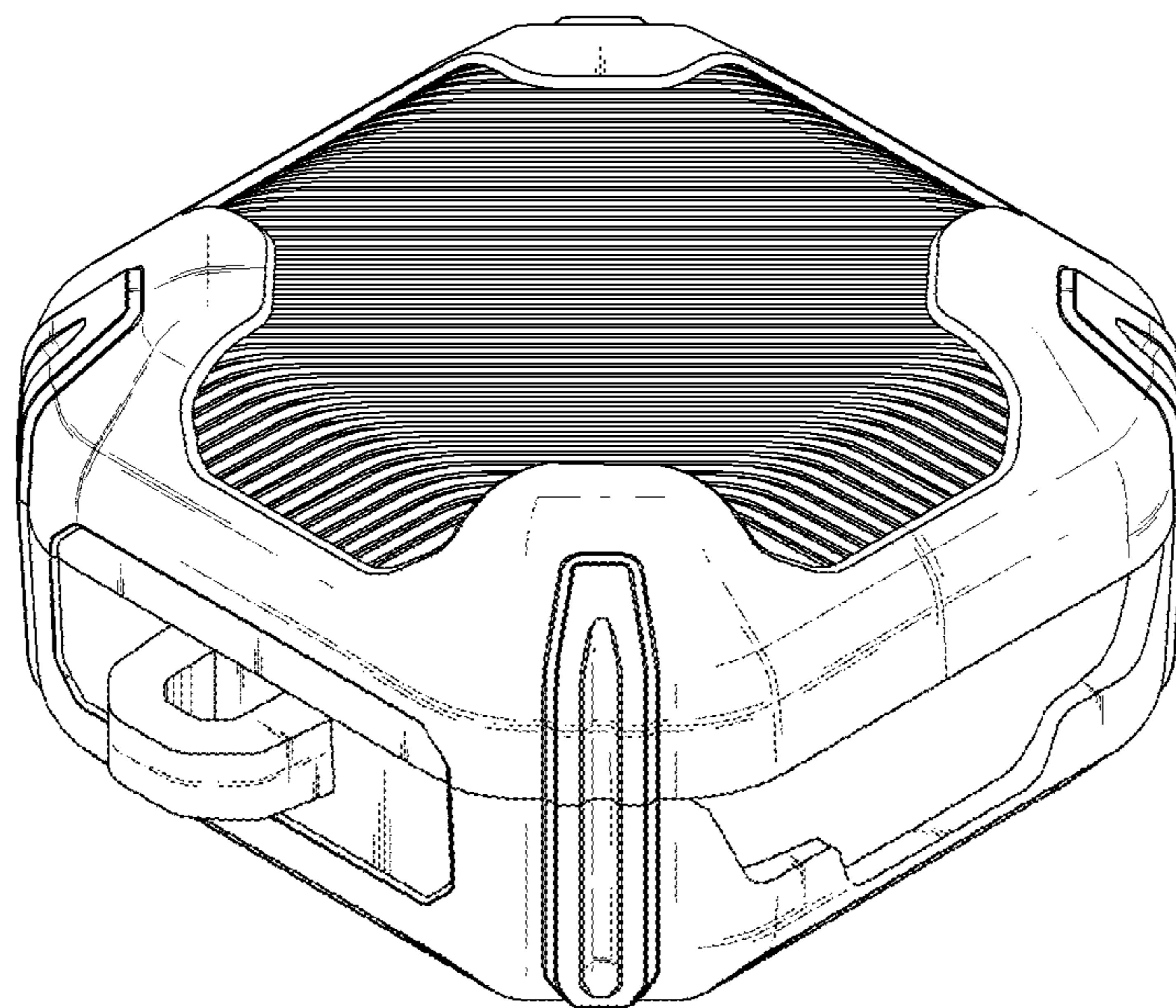


FIG. 9

