



US00D906339S

(12) **United States Design Patent** (10) **Patent No.:** **US D906,339 S**
Hyun (45) **Date of Patent:** **** Dec. 29, 2020**

(54) **CASE FOR TABLET COMPUTER**
(71) Applicant: **SPIGEN KOREA CO., LTD.**, Seoul (KR)
(72) Inventor: **Young Kwang Hyun**, Seoul (KR)
(73) Assignee: **SPIGEN KOREA CO., LTD.**, Seoul (KR)
(**) Term: **15 Years**
(21) Appl. No.: **29/733,429**
(22) Filed: **May 1, 2020**
(51) **LOC (12) Cl.** **14-02**
(52) **U.S. Cl.**
USPC **D14/440**
(58) **Field of Classification Search**
USPC D14/440, 447, 250; 206/45.23, 320, 206/45.2; 361/679.55; 294/25; 224/218
CPC ... G06F 1/1628; G06F 1/1626; A47B 23/044; H04B 1/3888
See application file for complete search history.

D764,451 S 8/2016 Hung et al.
D765,085 S * 8/2016 Moore D14/440
D765,638 S 9/2016 Gaylord et al.
D765,642 S 9/2016 Bulkley
D766,227 S 9/2016 Wu
D766,249 S 9/2016 Veltz et al.
D766,885 S 9/2016 Armstrong et al.
(Continued)

OTHER PUBLICATIONS

“Spigen Tough Armor iPhone SE/5S/5 Case with Extreme Heavy Duty Protection and Air Cushion Technology for iPhone Se/iPhone 5S/iPhone 5—Metal Slate”, <https://www.amazon.com/Spigen-Extreme-Protection-Cushion-Technology/dp/B00DMKGPP4>, Earliest review date of Aug. 1, 2013, Downloaded on Aug. 9, 2018.
(Continued)

Primary Examiner — Cynthia R Underwood
(74) *Attorney, Agent, or Firm* — Heedong Chae; Lucem, PC

(57) **CLAIM**

The ornamental design for a case for tablet computer, as shown and described.

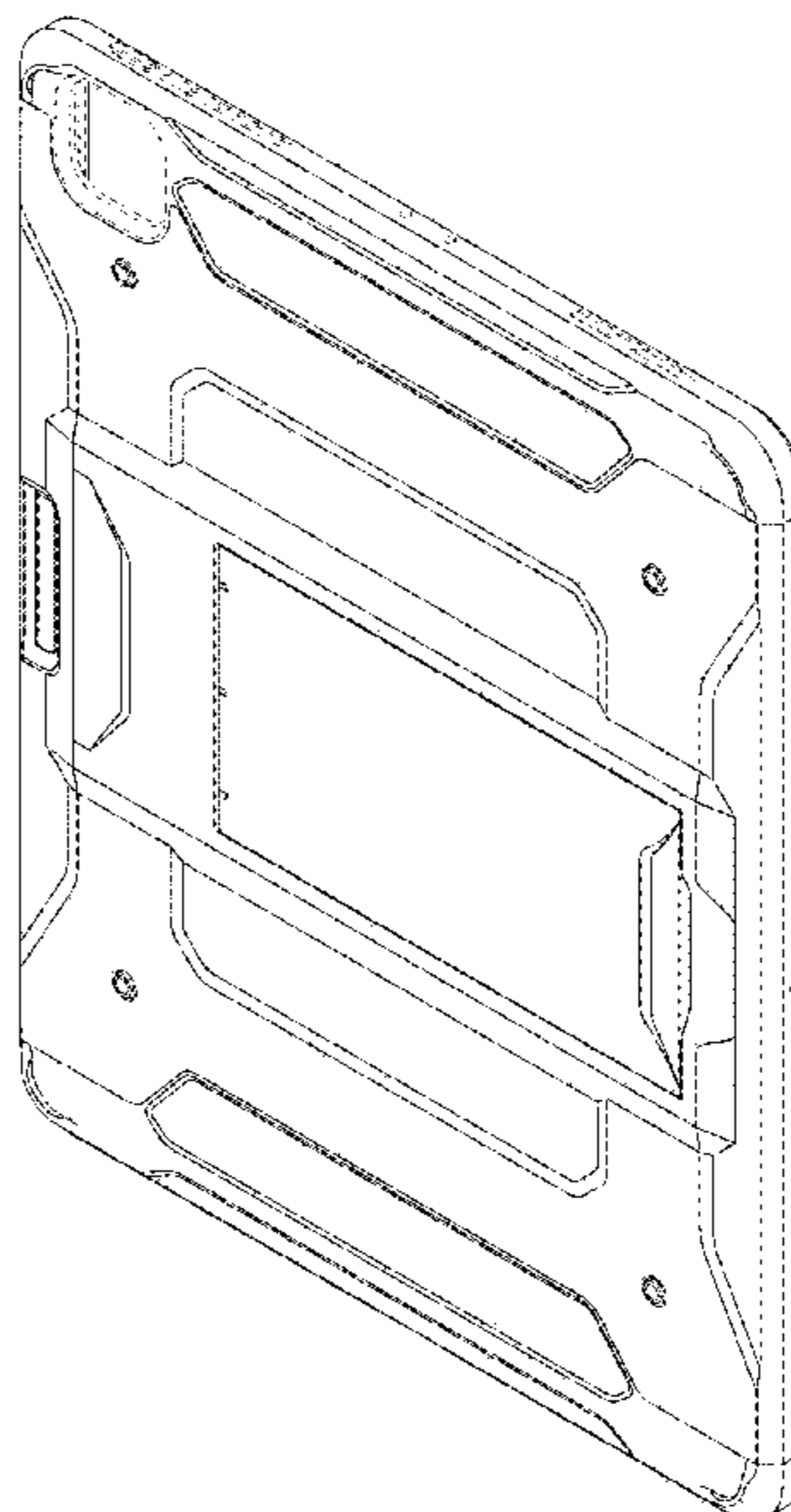
DESCRIPTION

FIG. 1 is a front perspective view of a case for tablet computer showing my new design;
FIG. 2 is a rear perspective view thereof;
FIG. 3 is a front elevational view thereof;
FIG. 4 is a rear elevational view thereof;
FIG. 5 is a left side elevational view thereof;
FIG. 6 is a right side elevational view thereof;
FIG. 7 is a top plan view thereof; and,
FIG. 8 is a bottom plan view thereof.
The broken lines throughout the drawing figures depict portions of the case for tablet computer that form no part of the claimed design.

1 Claim, 8 Drawing Sheets

(56) **References Cited**
U.S. PATENT DOCUMENTS

| | | |
|------------|---------|--------------------|
| D671,932 S | 12/2012 | Azoulay |
| D673,545 S | 1/2013 | Magness et al. |
| D674,792 S | 1/2013 | Magness |
| D698,343 S | 1/2014 | Chang et al. |
| D702,672 S | 4/2014 | Mather |
| D716,280 S | 10/2014 | Macrina et al. |
| D716,284 S | 10/2014 | Melanson et al. |
| D730,343 S | 5/2015 | Hemesath et al. |
| D733,154 S | 6/2015 | Armstrong et al. |
| D741,845 S | 10/2015 | Kim |
| D743,388 S | 11/2015 | Fitzpatrick et al. |
| D745,505 S | 12/2015 | Barfoot et al. |
| D745,506 S | 12/2015 | Barfoot et al. |
| D747,303 S | 1/2016 | Su et al. |
| D747,306 S | 1/2016 | Kim |



(56)

References Cited

U.S. PATENT DOCUMENTS

| | | | |
|------------|-----------|-------------------|------------------------|
| D766,907 S | 9/2016 | Veltz et al. | |
| D768,123 S | 10/2016 | Armstrong et al. | |
| D771,611 S | 11/2016 | Chang et al. | |
| D772,858 S | 11/2016 | Hu | |
| D774,500 S | 12/2016 | Reese | |
| D776,098 S | 1/2017 | Poon | |
| D783,011 S | 4/2017 | Fife | |
| D790,524 S | 6/2017 | Watt | |
| D790,525 S | 6/2017 | Kellogg | |
| D790,526 S | 6/2017 | Babichenko | |
| D794,626 S | 8/2017 | Armstrong et al. | |
| D798,288 S | 9/2017 | Babichenko | |
| D798,854 S | 10/2017 | Babichenko | |
| D799,462 S | 10/2017 | Wright | |
| D801,976 S | * 11/2017 | Li | D14/440 |
| D802,596 S | 11/2017 | Hannon et al. | |
| D807,369 S | * 1/2018 | Chen | D14/440 |
| D808,943 S | 1/2018 | Kamalandua Makasi | |
| D811,379 S | 2/2018 | Armstrong et al. | |
| D812,599 S | 3/2018 | Hyun | |
| D813,219 S | 3/2018 | Hyun | |
| D824,377 S | 7/2018 | Kim et al. | |
| D831,018 S | 10/2018 | Kim | |
| D831,020 S | 10/2018 | Kim | |
| D837,219 S | 1/2019 | Gao | |
| D840,835 S | 2/2019 | Deng | |
| D840,990 S | 2/2019 | Kim | |
| D847,817 S | * 5/2019 | Cheng | D14/440 |
| D850,456 S | 6/2019 | Armstrong et al. | |
| D850,457 S | * 6/2019 | Jin | G06F 1/1626 D14/440 |
| D851,092 S | 6/2019 | Tan | |
| D853,402 S | * 7/2019 | Yang | D14/440 |
| D854,023 S | * 7/2019 | Yang | D14/440 |
| D864,198 S | * 10/2019 | Bidwell | D14/341 |
| D868,790 S | 12/2019 | Weng | |
| D875,102 S | * 2/2020 | Gao | D14/440 |
| D881,894 S | * 4/2020 | Zhang | D14/440 |
| D886,109 S | * 6/2020 | Li | D14/440 |

OTHER PUBLICATIONS

“Spigen Tough Armor Designed for Apple iPad Mini 3 Case, iPad Mini 2 Case, iPad Mini Case—Metal Slate”, <https://www.amazon.com/Spigen-Tough-Armor-Designed-Apple/dp/B00FRVDVXK>, Earliest review date of Dec. 27, 2013, Downloaded on Jan. 15, 2019.

“Spigen Tough Armor Galaxy S5 Case with Extreme Heavy Duty Protection and Air Cushion Technology for Samsung Galaxy S5 2014—Gunmetal”, <https://www.amazon.com/Spigen-Extreme-Protection-Cushion-Technology/dp/B00I3UWDV8>, Earliest review date of Mar. 9, 2014, Downloaded on Aug. 9, 2018.

“Spigen Tough Armor iPhone 6 Plus Case with Kickstand and Extreme Heavy Duty Protection and Air Cushion Technology for iPhone 6S Plus / iPhone 6 Plus—Gunmetal”, <https://www.amazon.com/dp/B00LL987W2>, Earliest review date of Jul. 8, 2014, Downloaded on Oct. 4, 2017.

“Spigen Tough Armor iPhone 6 Case with Extreme Heavy Duty Protection and Air Cushion Technology for iPhone 6S/ iPhone 6—Smooth Black”, <https://www.amazon.com/Spigen-Extreme-Protection-Cushion-Technology/dp/B00NSSX23I>, Earliest review date of Aug. 14, 2014, Downloaded on Aug. 9, 2018.

“Spigen Tough Armor iPhone 6 Case with Extreme Heavy Duty Protection and Air Cushion Technology for iPhone 6S / iPhone 6—Gunmetal”, <https://www.amazon.com/Spigen-Extreme-Protection-Cushion-Technology/dp/B00L60JU8>, Earliest review date of Sep. 10, 2014, Downloaded on Jan. 15, 2019.

“Spigen Tough Armor S iPhone 6 Case with Extreme Heavy Duty Protection and Card Kickstand Feature for iPhone 6S / iPhone 6—S Mint”, <https://www.amazon.com/Spigen-Extreme-Protection-Kickstand-Feature/dp/B00LL65B06>, Earliest review date of Sep. 18, 2014, Downloaded on Jan. 15, 2019.

“Spigen Tough Armor Galaxy Note 4 Case with Extreme Heavy Duty Protection and Air Cushion Technology for Samsung Galaxy Note 4 2014—Gunmetal”, <https://www.amazon.com/dp/B00MAWQU14>, Earliest review date of Oct. 9, 2014, Downloaded on Aug. 31, 2018.

“Spigen Tough Armor FX iPhone 6 Case with Extreme Protection and Front Built-In Screen Protector Cover for iPhone 6S / iPhone 6—Gunmetal”, <https://www.amazon.com/Spigen-iPhone-Extreme-Protection-Protector/dp/B00PR9XE5C>, Earliest review date of Jan. 8, 2015, Downloaded on Jan. 15, 2019.

“Spigen Tough Armor Galaxy S6 Edge Case with Kickstand and Extreme Heavy Duty Protection and Air Cushion Technology for Galaxy S6 Edge 2015—Gunmetal”, <https://www.amazon.com/dp/B00SV63L38>, Earliest review date of Mar. 12, 2015, Downloaded on Aug. 9, 2018.

“Spigen Tough Armor Galaxy S6 Case with Kickstand and Air Cushion Techonology for Galaxy S6 2015—Gunmetal”, <https://www.amazon.com/dp/B00QU4PUKK>, Earliest review date of Mar. 23, 2015, Downloaded on Aug. 9, 2018.

Spigen Tough Armor iPhone 6S Case with Extreme Heavy Duty Protection and Air Cushion Technology for iPhone 6S/iPhone 6—Rose Gold, <https://www.amazon.com/dp/B013TKNNGK>, Earliest review date of Aug. 30, 2015, Downloaded on Aug. 8, 2018.

“Spigen Tough Armor iPhone 6S Plus Case with Kickstand and Heavy Duty Air Cushion Technology Protection for iPhone 6S Plus/iPhone 6 Plus Only—Gunmetal”, <https://www.amazon.com/Spigen-Kickstand-Cushion-Technology-Protection/dp/B010MVQJPQ>, Earliest review date of Sep. 9, 2015, Downloaded on Aug. 9, 2018.

“Spigen Tough Armor Galaxy S7 Edge Case with Kickstand and Extreme Heavy Duty Protection and Air Cushion Technology for Samsung Galaxy S7 Edge 2016—Gunmetal”, <https://www.amazon.com/dp/B01A7IDNWQ>, Earliest review date of Feb. 24, 2016, Downloaded on Aug. 9, 2018.

“Spigen Tough Armor Galaxy S7 Case with Extreme Heavy Duty Protection and Air Cushion Technology for Samsung Galaxy S7 2016—Gunmetal”, <https://www.amazon.com/dp/B01A7ID3PS>, Earliest review date of Feb. 25, 2016, Downloaded on Aug. 9, 2018.

“Spigen Tough Armor LG G5 Case with Reinforced Kickstand and Heavy Duty Protection and Air Cushion Technology for LG G5 (2016)—Gunmetal”, <https://www.amazon.com/dp/B01B1GQL6I>, Earliest review date of Mar. 11, 2016, Downloaded on Aug. 9, 2018.

“Spigen Tough Armor iPhone SE Case with Extreme Heavy Duty Protection and Air Cushion Technology for iPhone SE 2016—Black”, <https://www.amazon.com/Spigen-Extreme-Protection-Cushion-Technology/dp/B01BEJB9XM>, Earliest review date of Apr. 7, 2016, Downloaded on Aug. 9, 2018.

“Spigen Tough Armor Heavy Duty Extreme Protection Rugged Slim Dual Layer Protective Cover Case for Apple iPhone 7—Gunmetal”, <https://www.amazon.co.uk/dp/B01GIVWY30>, Date first available at Amazon.co.uk of Aug. 2, 2016, Downloaded on Sep. 17, 2018.

“Spigen Tough Armor iPhone 7 Plus / iPhone 8 Plus Case with Extreme Heavy Duty Protection and Air Cushion Technology with Kickstand for Apple iPhone 7 Plus 2016 / iPhone 8 Plus 2017—Rose Gold”, <https://www.amazon.com/dp/B01GIWGE8A>, Earliest review date of Sep. 6, 2016, Downloaded on Aug. 9, 2018.

“Spigen Tough Armor iPhone 7 Case with Extreme Heavy Duty Protection and Air Cushion Technology for iPhone 7 2016—Black”, <https://www.amazon.com/dp/B01GIVX30I>, Earliest review date of Sep. 9, 2016, Downloaded on Aug. 9, 2018.

“Spigen Tough Armor iPhone 7 Case with Jet Black Optimized Color and Extreme Heavy Duty Protection and Air Cushion Technology for iPhone 7 2016—Jet Black”, <https://www.amazon.com/Spigen-Optimized-Extreme-Protection-Technology/dp/B01LRSFLFM>, Earliest review date of Sep. 25, 2016, Downloaded on Aug. 9, 2018.

“Spigen Tough Armor Google Pixel Case with Kickstand and Heavy Duty Air Cushion Technology Protection for Google Pixel 2016—Black”, <https://www.amazon.com/Spigen-Kickstand-Cushion-Technology-Protection/dp/B01M12Z4PY>, Earliest review date of Oct. 20, 2016, Downloaded on Aug. 9, 2018.

“Spigen Tough Armor Google Pixel XL Case with Kickstand and Heavy Duty Air Cushion Technology Protection for Google Pixel

(56)

References Cited

OTHER PUBLICATIONS

XL 2016—Gunmetal”, <https://www.amazon.com/Spigen-Kickstand-Cushion-Technology-Protection/dp/B01LZGCH6E>, Earliest review date of Oct. 21, 2016, Downloaded on Aug. 9, 2018.

“Spigen Tough Armor LG V20 Case with Kickstand and Extreme Heavy Duty Protection and Air Cushion Technology for LG V20—Gunmetal”, <https://www.amazon.com/Spigen-Kickstand-Extreme-Protection-Technology/dp/B01M9FI54B>, Earliest review date of Dec. 2, 2016, Downloaded on Aug. 9, 2018.

“Spigen Tough Armor Designed for Apple Watch Case for 42mm Series 3 / Series 2/1 / Original (2015) / Nike+ Sport Edition and Built in Screen Protector—Gunmetal”, <https://www.amazon.com/dp/B01N74P26H>, Earliest review date of Jan. 4, 2017, Downloaded on Jan. 15, 2019.

“Spigen Tough Armor LG G6 Case with Extreme Heavy Duty Protection and Air Cushion Technology for LG G6 (2017)—Black”, <https://www.amazon.com/dp/B01MR8C4RY>, Earliest review date of Mar. 26, 2017, Downloaded on Aug. 3, 2018.

“Spigen Tough Armor Galaxy S8 Plus Case with Reinforced Kickstand and Heavy Duty Protection and Air Cushion Technology for Samsung Galaxy S8 Plus (2017)—Black”, <https://www.amazon.com/dp/B06XP4FP8N>, Earliest review date of Apr. 8, 2017, Downloaded on Aug. 9, 2018.

“Spigen Tough Armor Galaxy S8 Case with Kickstand and Extreme Heavy Duty Protection and Air Cushion Technology for Samsung Galaxy S8 (2017)—Black”, <http://www.amazon.com/dp/B0716CZ3Z1>, Earliest review date of Apr. 9, 2017, downloaded on Aug. 9, 2018.

“Spigen Tough Armor [2nd Generation] iPhone 8 Plus Case/iPhone 7 Plus Case with Kickstand Air Cushion Technology for Apple iPhone 8 Plus (2017) / iPhone 7 Plus (2016)—Black”, <http://www.amazon.com/dp/B07482KRLP>, Earliest review date of Aug. 18, 2017, downloaded on Jan. 15, 2019.

“Spigen Tough Armor [2nd Generation] iPhone 8 Plus Case/iPhone 7 Plus Case with Kickstand Air Cushion Technology for Apple iPhone 8 Plus (2017)/iPhone 7 Plus (2016)—Rose Gold”, <http://www.amazon.com/dp/B074826HMD>, Earliest review date of Aug. 18, 2017, downloaded on Aug. 9, 2018.

“Spigen Tough Armor Galaxy Note 8 Case with Kickstand and Extreme Heavy Duty Protection and Air Cushion Technology for Galaxy Note 8 (2017)—Orchid Gray”, <http://www.amazon.com/dp/B073R7MND3>, Earliest review date of Aug. 26, 2017, downloaded on Aug. 9, 2018.

“Spigen Tough Armor [2nd Generation] iPhone 8 Case/iPhone 7 Case with Kickstand and Heavy Duty Protection and Air Cushion Technology for Apple iPhone 8 (2017)/iPhone 7 (2016)—Gunmetal”, <http://www.amazon.com/dp/B07482KVD3>, Earliest review date of Sep. 2, 2017, downloaded on Aug. 9, 2018.

“Spigen Tough Armor LG V30 Case with Kickstand and Heavy Duty Protection for LG V30 (2017)—Black”, <http://www.amazon.com/dp/B071WS1TYG>, Earliest review date of Sep. 8, 2017, downloaded on Aug. 9, 2018.

“Spigen Tough Armor Galaxy S8 Active Case with Kickstand and Extreme Heavy Duty Protection and Air Cushion Technology for Galaxy S8 Active (2017)—Gunmetal”, <http://www.amazon.com/dp/B0746PT25T>, Earliest review date of Sep. 15, 2017, downloaded on Aug. 9, 2018.

“Spigen Tough Armor Designed for Apple iPhone X Case (2018) / Designed for Apple iPhone X Case (2017)—Matte Black”, <http://www.amazon.com/dp/B074CMT7HV>, Earliest review date of Sep. 27, 2017, downloaded on Jan. 15, 2019.

“Spigen Tough Armor Designed for Apple iPad Pro 10.5 Case (2017)—Black”, <http://www.amazon.com/dp/B0751GFB8X>, Earliest review date of Oct. 11, 2017, downloaded on Jan. 15, 2019.

“Spigen Tough Armor Designed for Apple iPad 9.7 Case iPad Case (2017/2018)—Black”, <http://www.amazon.com/dp/B072F7DGMJ>, Earliest review date of Oct. 23, 2017, downloaded on Jan. 15, 2019.

“Spigen Tough Armor Google Pixel 2 Case with Kickstand and Extreme Heavy Duty Protection and Air Cushion Technology for

Google Pixel 2 (2017)—Gunmetal”, <http://www.amazon.com/dp/B0747523HC>, Earliest review date of Oct. 28, 2017, downloaded on Aug. 9, 2018.

“Spigen Tough Armor Google Pixel 2 XL Case with Kickstand and Extreme Heavy Duty Protection and Air Cushion Technology for Google Pixel 2 XL (2017)—Black”, <http://www.amazon.com/dp/B07477LL8Q>, Earliest review date of Oct. 29, 2017, downloaded on Aug. 9, 2018.

“Spigen Tough Armor Moto Z2 Force Case with Kickstand and Extreme Heavy Duty Protection and Air Cushion Technology for Moto Z2 Force (2017)—Gunmetal”, <http://www.amazon.com/dp/B074PB5HQ1>, Earliest review date of Nov. 21, 2017, downloaded on Aug. 9, 2018.

“Spigen Tough Armor Tech Designed for Apple iPad 9/ Case iPad Case (2017/2018)—Black”, <http://www.amazon.com/dp/B078FGC17H>, Earliest review date of Feb. 18, 2018, downloaded on Jan. 15, 2019.

“Spigen Tough Armor Galaxy S9 Plus Case with Reinforced Kickstand and Heavy Duty Protection and Air Cushion Technology for Samsung Galaxy S9 Plus (2018)—Lilac Purple”, <http://www.amazon.com/dp/B078BBPY98>, Earliest review date of Mar. 1, 2018, downloaded on Jan. 15, 2019.

“Spigen Tough Armor Galaxy S9 Case with Reinforced Kickstand and Heavy Duty Protection and Air Cushion Technology for Samsung Galaxy S9 (2018)—Graphite Gray”, <http://www.amazon.com/dp/B078B3K513>, Earliest review date of Mar. 10, 2018, downloaded on Jan. 16, 2019.

“Spigen Tough Armor Galaxy S9 Case with Reinforced Kickstand and Heavy Duty Protection and Air Cushion Technology for Samsung Galaxy S9 (2018)—Graphite Gray”, <http://www.amazon.com/dp/B078B3K513>, Earliest review date of Mar. 10, 2018, downloaded on Aug. 9, 2018.

“Spigen Tough Armor LG G7 Case/LG G7 ThinQ Case with Reinforced Kickstand and Heavy Duty Protection and Air Cushion Technology for LG G7 ThinQ (2018)—Gunmetal”, <https://www.amazon.com/Spigen-Reinforced-Kickstand-Protection-Technology/dp/B078MVT4YD>, Earliest review date of Jun. 1, 2018, downloaded on Aug. 9, 2018.

“Spigen Tough Armor Moto G6 Case with Reinforced Kickstand and Heavy Duty Protection and Air Cushion Technology for Motorola Moto G6 (2018)—Metal Slate”, <https://www.amazon.com/Spigen-Reinforced-Kickstand-Protection-Technology/dp/B07D2YP2QZ>, Earliest review date of Aug. 5, 2018, downloaded Aug. 9, 2018.

“Spigen Tough Armor Galaxy Note 9 Case with Kickstand and Extreme Heavy Duty Protection and Air Cushion Technology for Samsung Galaxy Note 9 (2018)—Ocean Blue”, <https://www.amazon.com/Spigen-Kickstand-Extreme-Protection-Technology/dp/B07FN5D7T8>, Earliest review date of Aug. 10, 2018, downloaded on Jan. 15, 2019.

“Spigen Tough Armor Designed for Apple iPhone Xs MAX Case (2018)—Gunmetal”, <https://www.amazon.com/dp/B07GTCMF8X/>, Earliest review date of Sep. 15, 2018, downloaded on Jan. 15, 2019.

“Spigen Tough Armor Designed for Google Pixel 3 XL Case (2018)—Black”, <https://www.amazon.com/Spigen-Tough-Armor-Designed-Google/dp/B07H5SKSPM>, Earliest review date of Oct. 10, 2018, Downloaded on Jan. 15, 2019.

“Spigen Tough Armor Designed for Google Pixel 3 Case (2018)—Black”, <https://www.amazon.com/Spigen-Tough-Armor-Designed-Google/dp/B07H5QBRPV>, Earliest review date of Oct. 17, 2018, Downloaded on Jan. 15, 2019.

“Spigen Tough Armor Designed for Apple iPhone XR Case (2018)—Blue”, <https://www.amazon.com/Spigen-Tough-Armor-Designed-iPhone/dp/B07HQGYMVH>, Earliest review date of Oct. 19, 2018, Downloaded on Oct. 2, 2019.

“Spigen Tough Armor Designed for Apple iPhone XR Case (2018)—Gunmetal”, <https://www.amazon.com/Spigen-Tough-Armor-Designed-iPhone/dp/B07GHYQJJB/>, Earliest review date of Oct. 19, 2018, Downloaded on Jan. 15, 2019.

“Spigen Tough Armor Designed for LG V40 ThinQ Case (2018)—Rose Gold”, <https://www.amazon.com/Spigen-Tough-Armor-Designed-ThinQ/dp/B07GQ9NFNZ>, Earliest review date of Oct. 25, 2018, Downloaded on Jan. 15, 2019.

(56)

References Cited

OTHER PUBLICATIONS

“Spigen Tough Armor Designed for Apple Watch Case for 44mm Series 4 (2018)—Black”, <https://www.amazon.com/Spigen-Tough-Armor-Designed-Apple/dp/B07HT7N88N/>, Earliest review date of Nov. 11, 2018, Downloaded on Jan. 15, 2019.

“Spigen Tough Armor S iPhone 6 Case with Extreme Heavy Duty Protection and Card Kickstand Feature for iPhone 6S / iPhone 6—S Mint”, <https://www.amazon.com/Spigen-Tough-Armor-Designed-OnePlus/dp/B07K6X45DP>, Earliest review date of Jan. 10, 2019, Downloaded on Jan. 15, 2019.

“Spigen Tough Armor Designed for Samsung Galaxy S10 Case (2019)—Gunmetal”, <https://www.amazon.com/Spigen-Tough-Designed-Samsung-Galaxy/dp/B07MT1RSZ2>, Earliest review date of Feb. 26, 2019, Downloaded on Oct. 3, 2019.

“Spigen Tough Armor Designed for Samsung Galaxy S10e Case (2019)—Black”, <https://www.amazon.com/Spigen-Tough-Designed-Samsung-Galaxy/dp/B07M8622KN>, Earliest review date of Mar. 6, 2019, Downloaded on Oct. 3, 2019.

“Spigen Tough Armor Designed for Samsung Galaxy S10 Plus Case (2019)—Prism Blue”, <https://www.amazon.com/Spigen-Tough-Designed-Samsung-Galaxy/dp/B07PGCP18R/>, Earliest review date of Apr. 5, 2019, Downloaded on Oct. 3, 2019.

* cited by examiner

FIG. 1

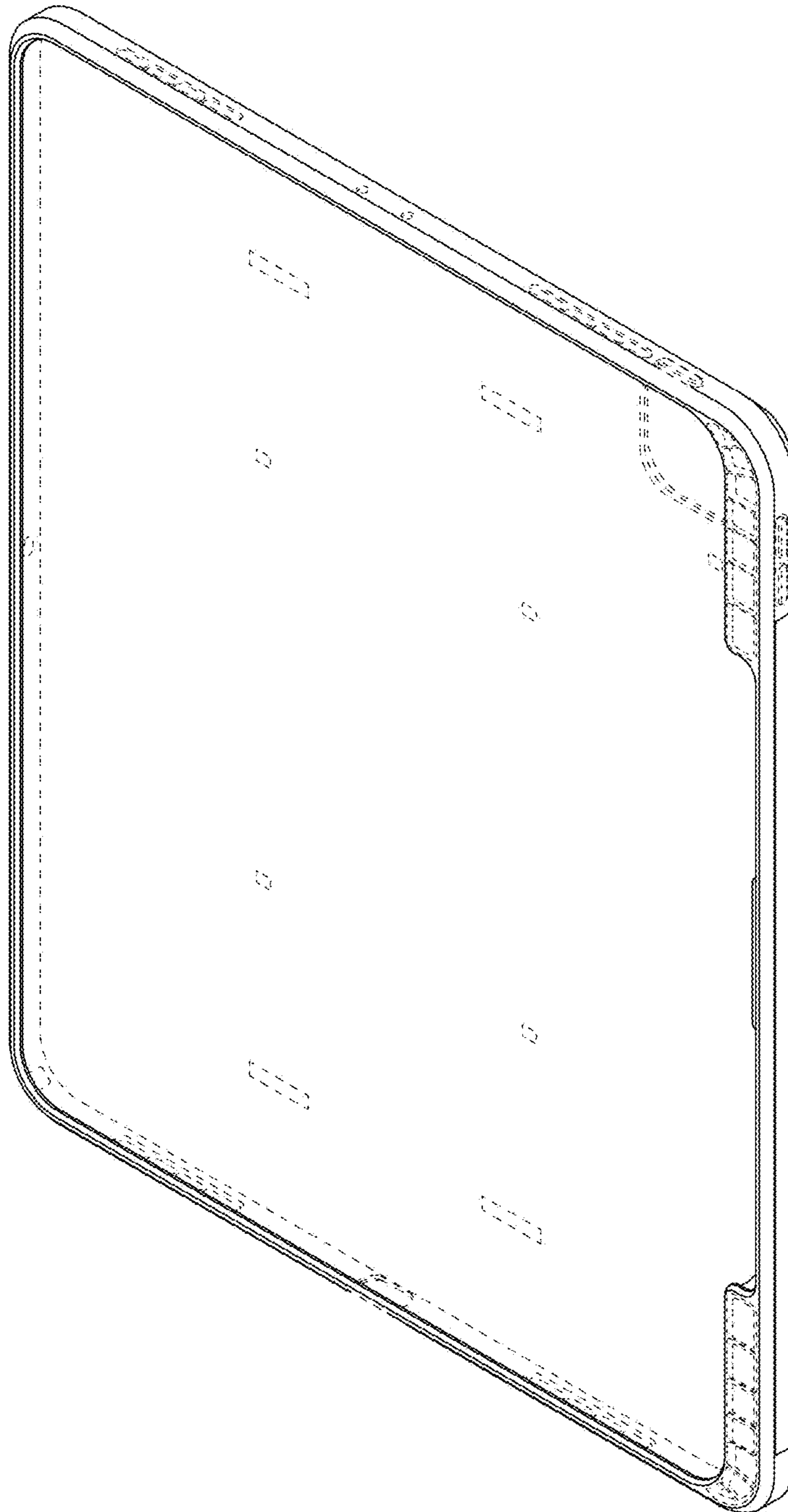


FIG. 2

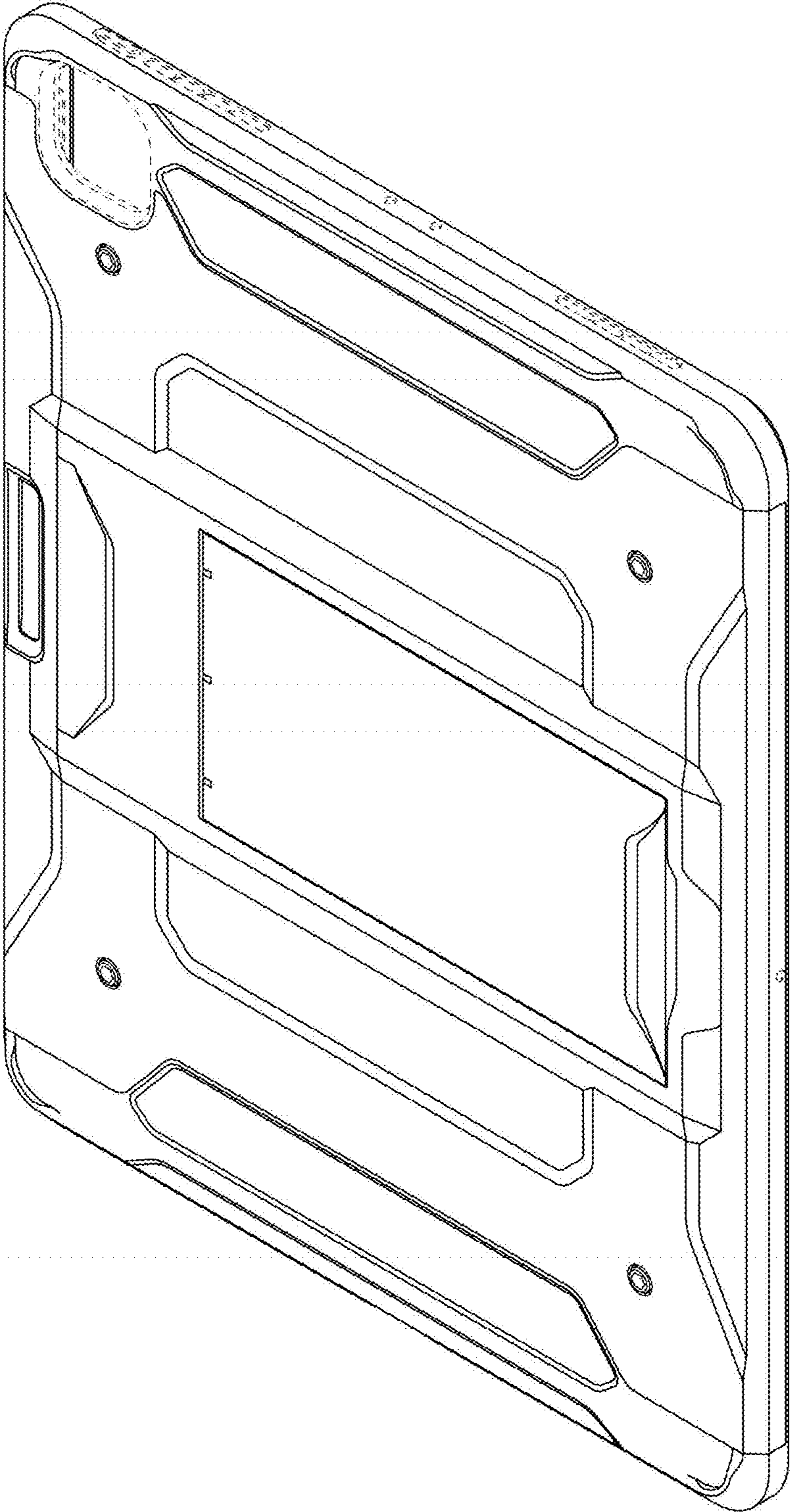


FIG. 3

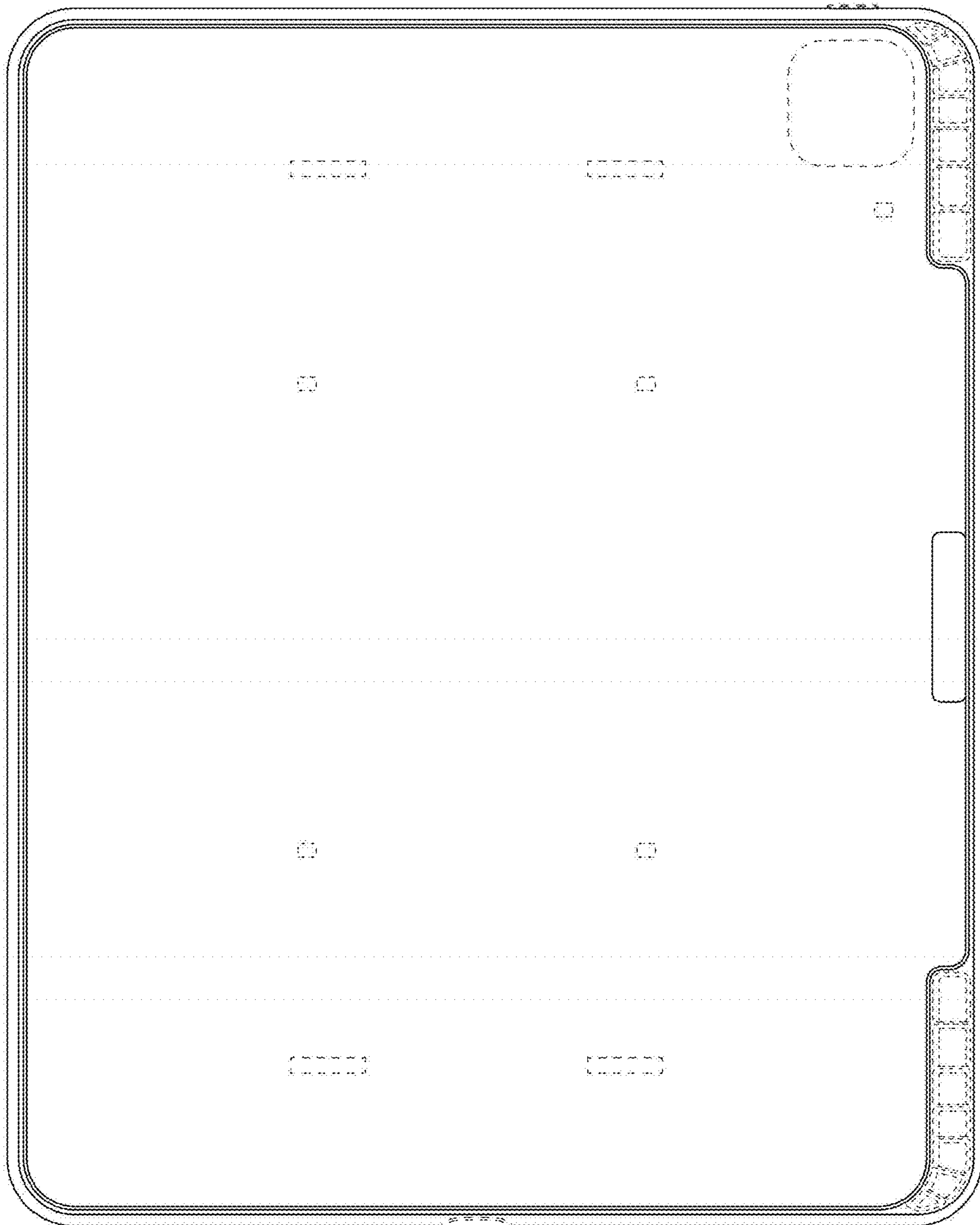


FIG. 4

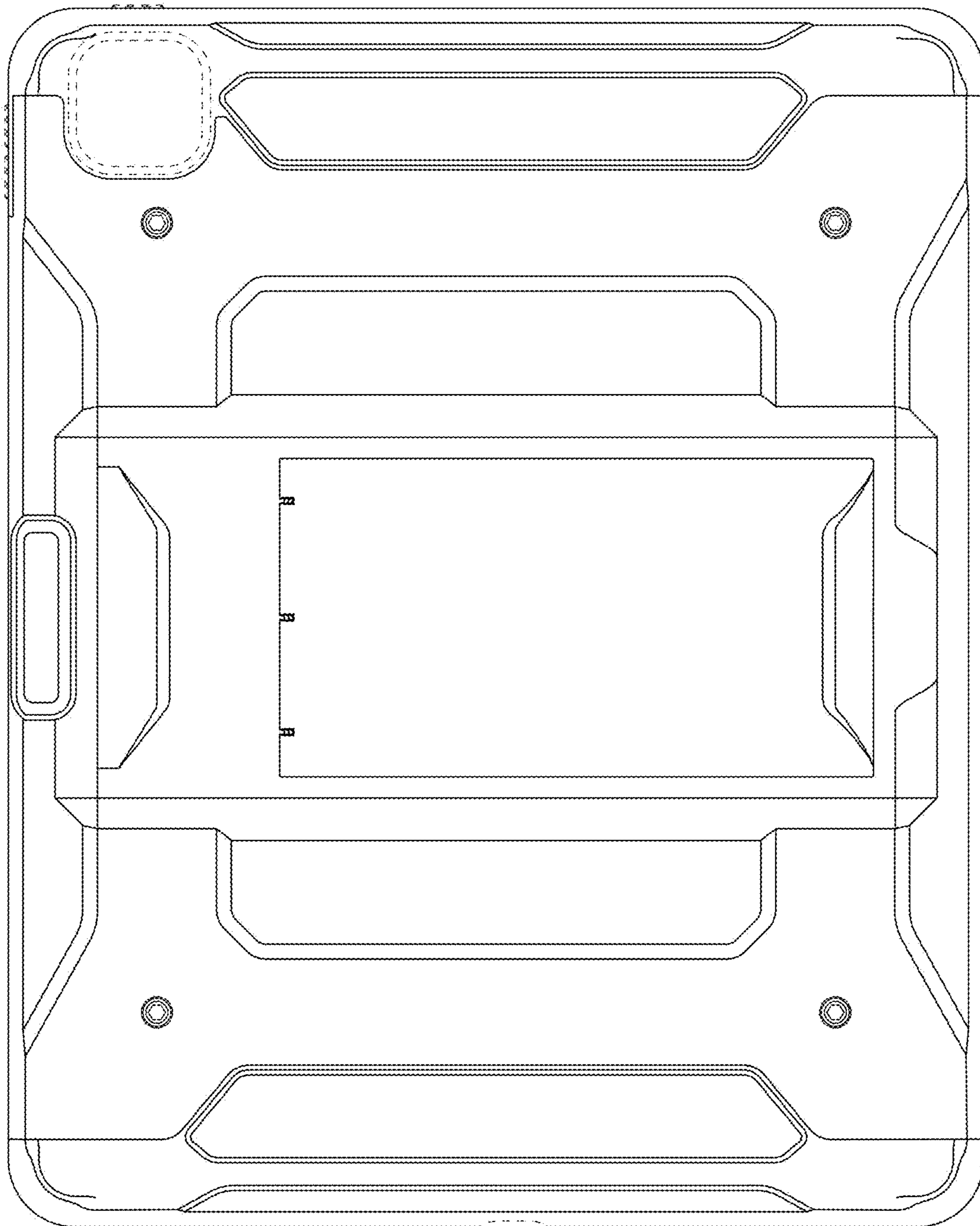


FIG. 5

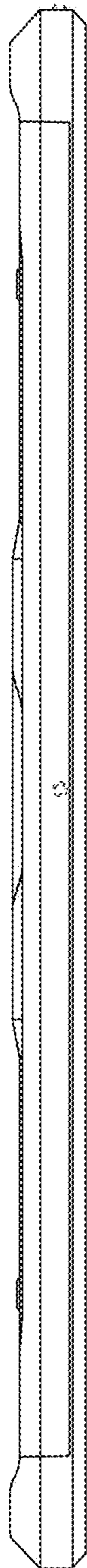


FIG. 6

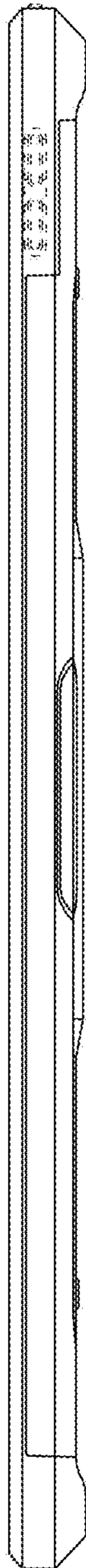


FIG. 7

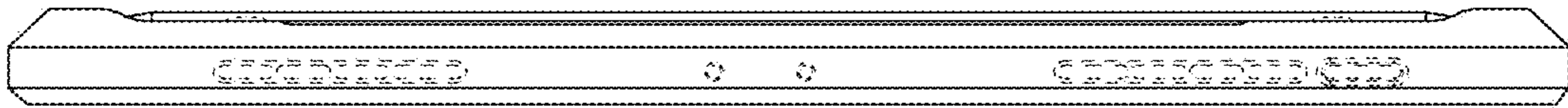


FIG. 8

