



US00D906338S

(12) **United States Design Patent** (10) **Patent No.:** **US D906,338 S**
Hyun (45) **Date of Patent:** **** Dec. 29, 2020**

(54) **CASE FOR TABLET COMPUTER**
(71) Applicant: **SPIGEN KOREA CO., LTD.**, Seoul (KR)
(72) Inventor: **Young Kwang Hyun**, Seoul (KR)
(73) Assignee: **SPIGEN KOREA CO., LTD.**, Seoul (KR)

D764,451 S 8/2016 Hung et al.
D765,085 S * 8/2016 Moore D14/440
D765,638 S 9/2016 Gaylord et al.
D765,642 S 9/2016 Bulkley
D766,227 S 9/2016 Wu
D766,249 S 9/2016 Veltz et al.
D766,885 S 9/2016 Armstrong et al.
D766,907 S 9/2016 Veltz et al.
D768,123 S 10/2016 Armstrong et al.
D771,611 S 11/2016 Chang et al.
(Continued)

(**) Term: **15 Years**

(21) Appl. No.: **29/733,114**

(22) Filed: **Apr. 29, 2020**

(51) **LOC (12) Cl.** **14-02**

(52) **U.S. Cl.**
USPC **D14/440**

(58) **Field of Classification Search**
USPC D14/440, 447, 250; 206/45.23, 320,
206/45.2; 361/679.55; 294/25; 224/218
CPC ... G06F 1/1628; G06F 1/1626; A47B 23/044;
H04B 1/3888

See application file for complete search history.

(56) **References Cited**

U.S. PATENT DOCUMENTS

D671,932 S 12/2012 Azoulay
D673,545 S 1/2013 Magness et al.
D674,792 S 1/2013 Magness
D698,343 S 1/2014 Chang et al.
D702,672 S 4/2014 Mather
D716,280 S 10/2014 Macrina et al.
D716,284 S 10/2014 Melanson et al.
D730,343 S 5/2015 Hemesath et al.
D733,154 S 6/2015 Armstrong et al.
D741,845 S 10/2015 Kim
D743,388 S 11/2015 Fitzpatrick et al.
D745,505 S 12/2015 Barfoot et al.
D745,506 S 12/2015 Barfoot et al.
D747,303 S 1/2016 Su et al.
D747,306 S 1/2016 Kim

OTHER PUBLICATIONS

“Urban Armor Gear UAG Microsoft Surface Pro 7/Pro 6/Pro 5th Gen (2017)Pro 4 Metropolis Feather-Light Rugged [Black] Military Drop Tested Case”, <https://www.amazon.com/dp/B016ATD48O>, Earliest review date of Oct. 27, 2015, Downloaded on Jun. 19, 2020.

(Continued)

Primary Examiner — Cynthia R Underwood
(74) *Attorney, Agent, or Firm* — Heedong Chae; Lucem, PC

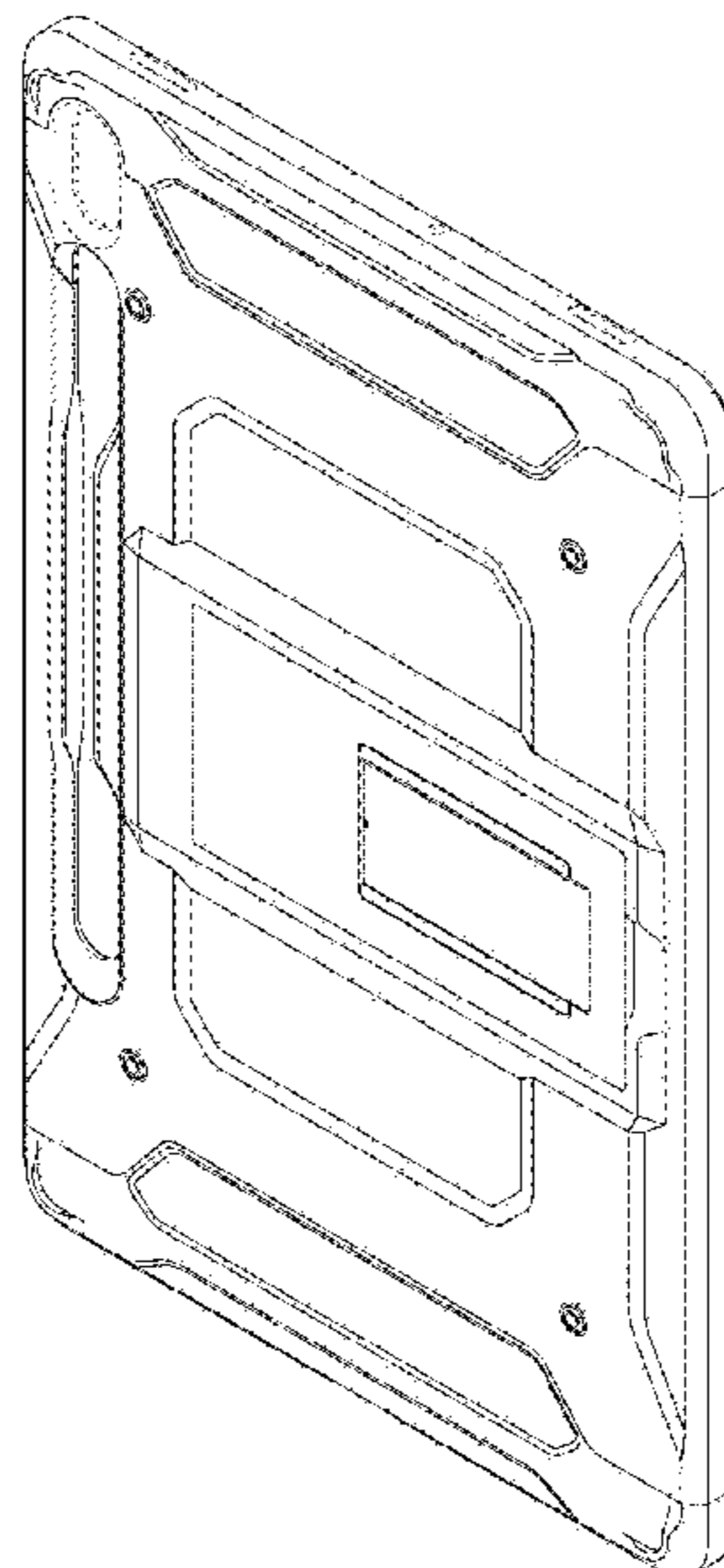
(57) **CLAIM**

The ornamental design for a case for tablet computer, as shown and described.

DESCRIPTION

FIG. 1 is a front perspective view of a case for tablet computer showing my new design according to a first embodiment of my design;
FIG. 2 is a rear perspective view thereof;
FIG. 3 is a front elevational view thereof;
FIG. 4 is a rear elevational view thereof;
FIG. 5 is a left side elevational view thereof;
FIG. 6 is a right side elevational view thereof;
FIG. 7 is a top plan view thereof; and,
FIG. 8 is a bottom plan view thereof.

1 Claim, 8 Drawing Sheets



(56)

References Cited

U.S. PATENT DOCUMENTS

D772,858 S	11/2016	Hu	
D774,500 S	12/2016	Reese	
D776,098 S	1/2017	Poon	
D783,011 S	4/2017	Fife	
D790,524 S	6/2017	Watt	
D790,525 S	6/2017	Kellogg	
D790,526 S	6/2017	Babichenko	
D794,626 S	8/2017	Armstrong et al.	
D798,288 S	9/2017	Babichenko	
D798,854 S	10/2017	Babichenko	
D799,462 S	10/2017	Wright	
D801,976 S	* 11/2017	Li	D14/440
D802,596 S	11/2017	Hannon et al.	
D807,369 S	* 1/2018	Chen	D14/440
D808,943 S	1/2018	Kamalandua Makasi	
D811,379 S	2/2018	Armstrong et al.	
D812,599 S	3/2018	Hyun	
D813,219 S	3/2018	Hyun	
D824,377 S	7/2018	Kim et al.	
D831,018 S	10/2018	Kim	
D831,020 S	10/2018	Kim	
D837,219 S	1/2019	Gao	
D840,835 S	2/2019	Tan	
D840,990 S	2/2019	Kim	
D847,817 S	* 5/2019	Cheng	D14/440
D850,456 S	6/2019	Armstrong et al.	
D850,457 S	* 6/2019	Jin	G06F 1/1626 D14/440
D851,092 S	6/2019	Tan	
D853,402 S	* 7/2019	Yang	D14/440
D854,023 S	* 7/2019	Yang	D14/440
D864,198 S	* 10/2019	Bidwell	D14/341
D868,790 S	12/2019	Weng	
D875,102 S	* 2/2020	Gao	D14/440
D881,894 S	* 4/2020	Zhang	D14/440
D886,109 S	* 6/2020	Li	D14/440

OTHER PUBLICATIONS

“SupCase Unicom Beetle Pro Series Case Designed for iPhone SE 2nd generation/iPhone 8 /iPhone 7, Full-body Rugged Holster Case with Built-in Screen Protector for Apple iPhone SE (2020 Release) (Black)”, <https://www.amazon.com/dp/B01KIQOJ2JK>, Earliest review date of Sep. 11, 2016, Downloaded on Jun. 18, 2020.

“Urban Armor Gear UAG MacBook Pro 13-inch (4th Gen, 2016-2019) Feather-Light Rugged Ice Military Drop Tested Laptop Case”, <https://www.amazon.com/dp/B01N2WBO24/>, Earliest review date of Mar. 22, 2017, Downloaded on Jun. 18, 2020.

“Urban Armor Gear UAG iPad (2017, 9-7-inch Folio Case Metropolis [Black] Feather-Light Rugged Military Drop Tested Cover”, <https://www.amazon.com/dp/B0716CLKPN/>, Earliest review date of May 27, 2017, Downloaded on Jun. 18, 2020.

“UAG Folio iPad Pro 10.5-inch Metropolis Feather-Light Rugged [Black] Military Drop Tested iPad Case”, <https://www.amazon.com/>

[dp/B072KJ24CL](https://www.amazon.com/dp/B072KJ24CL), Earliest review date of Jul. 10, 2017, Downloaded on Jun. 18, 2020.

“Urban Armor Gear FBA_IPDP12G2-E-BK UAG Folio iPad Pro 12.9-inch (2017) Metropolis Feather-Light Rugged [Black] Military Drop Tested iPad Case”, <https://www.amazon.com/dp/B072N3T6GL/>, Earliest review date of Jul. 12, 2017, Downloaded on Jun. 18, 2020.

“Spigen Tough Armor TECH with Custom-Fit Tempered Glass Designed for iPad 9.7 Case iPad Case (2017/2018)—Black”, <https://www.amazon.com/dp/B078FGC17H>, Earliest review date of Feb. 18, 2018, Downloaded on Jun. 18, 2020.

“UAG Folio iPad 11-inch (1st Gen, 2018) Metropolis Feather-Light Rugged [Magma] Military Drop Tested iPad Case with Apple Pencil Holder”, <https://www.amazon.com/dp/B07L6N798T>, Earliest review date of Jan. 25, 2019, Downloaded on Jun. 18, 2020.

“Supcase [UB PRO Series] Full-Body Kickstand Rugged Protective Case for Surface Pro 7/Pro 6 Case Microsoft Surface Pro 7/Pro 6/Pro 5/Pro 4/Pro LTE (Black)”, <https://www.amazon.com/dp/B07SZCG8R2>, Earliest review date of Jul. 15, 2019, Downloaded on Jun. 18, 2020.

“ArmadilloTek Vanguard Designed for iPhone 11 Pro Max Case (6.5 inches) Military Grade Full-Body Rugged with Kickstand and Built-in Screen Protector—Black”, <https://www.amazon.com/dp/B07VSCRX5Y>, Earliest review date of Sep. 14, 2019, Downloaded on Jun. 18, 2020.

“Defense Tactical, iPhone 11 Case—Heavy Duty Protection with Drop Shield, Military Grade Drop Tested Case for Apple iPhone 11, (Black)”, <https://www.amazon.com/dp/B07RWPHPHP/>, Earliest review date of Sep. 18, 2019, Downloaded on Jun. 18, 2020.

“Urban Armor Gear UAG Designed for iPhone 11 Pro Max [6.5-inch Screen] Monarch Feather-Light Rugged [Carbon Fiber] Military Drop Tested iPhone Case”, <https://www.amazon.com/dp/B07XHNGL93/>, Earliest review date of Sep. 27, 2019, Downloaded on Jun. 18, 2020.

“UAG Designed for iPhone 11 Pro [5.8-inch Screen] Monarch Feather-Light Rugged [Carbon Fiber] Military Drop Tested iPhone Case”, <https://www.amazon.com/dp/B07XHNHG3X/>, Earliest review date of Sep. 30, 2019, Downloaded on Jun. 18, 2020.

“Supcase Designed for iPad 10.2 2019 Case, Unicom Beetle Pro Series with Built-in Screen Protector and Dual Layer Full Body Rugged Protective Case (Black)”, <https://www.amazon.com/dp/B07YJG1MQX>, Earliest review date of Oct. 9, 2019, Downloaded on Jun. 18, 2020.

“Compatible with Apple iPhone 11 Case | Military Grade | 15ft. Drop Tested Protective Case | Tough Armor | Kickstand Heavy-Duty | for iPhone 11 6.1 inch-Blue,” <https://www.amazon.com/dp/B0837BRGS7>, Earliest review date of Oct. 5, 2020, Downloaded on Jun. 18, 2020.

“Urban Armor Gear UAG iPad Pro 11-inch (2nd Gen, 2020) Case Metropolis [Black] Folio Slim Heavey-Duty Tough Multi-Viewing Angles Stand Military Drop Tested Rugged Protective Cover”, <https://www.amazon.com/dp/B085S8MV2P>, Earliest review date of Apr. 20, 2020, Downloaded on Jun. 19, 2020.

* cited by examiner

FIG. 1

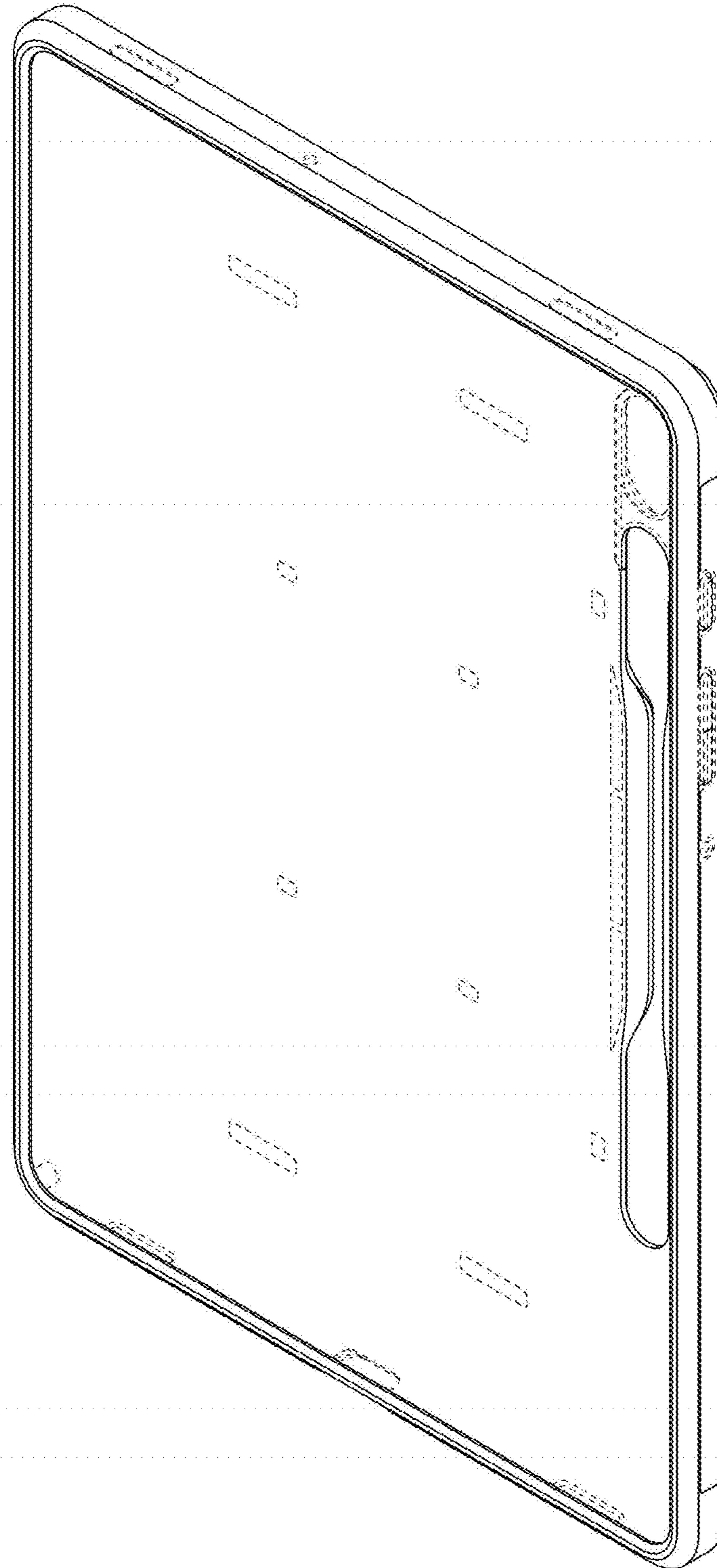


FIG. 2

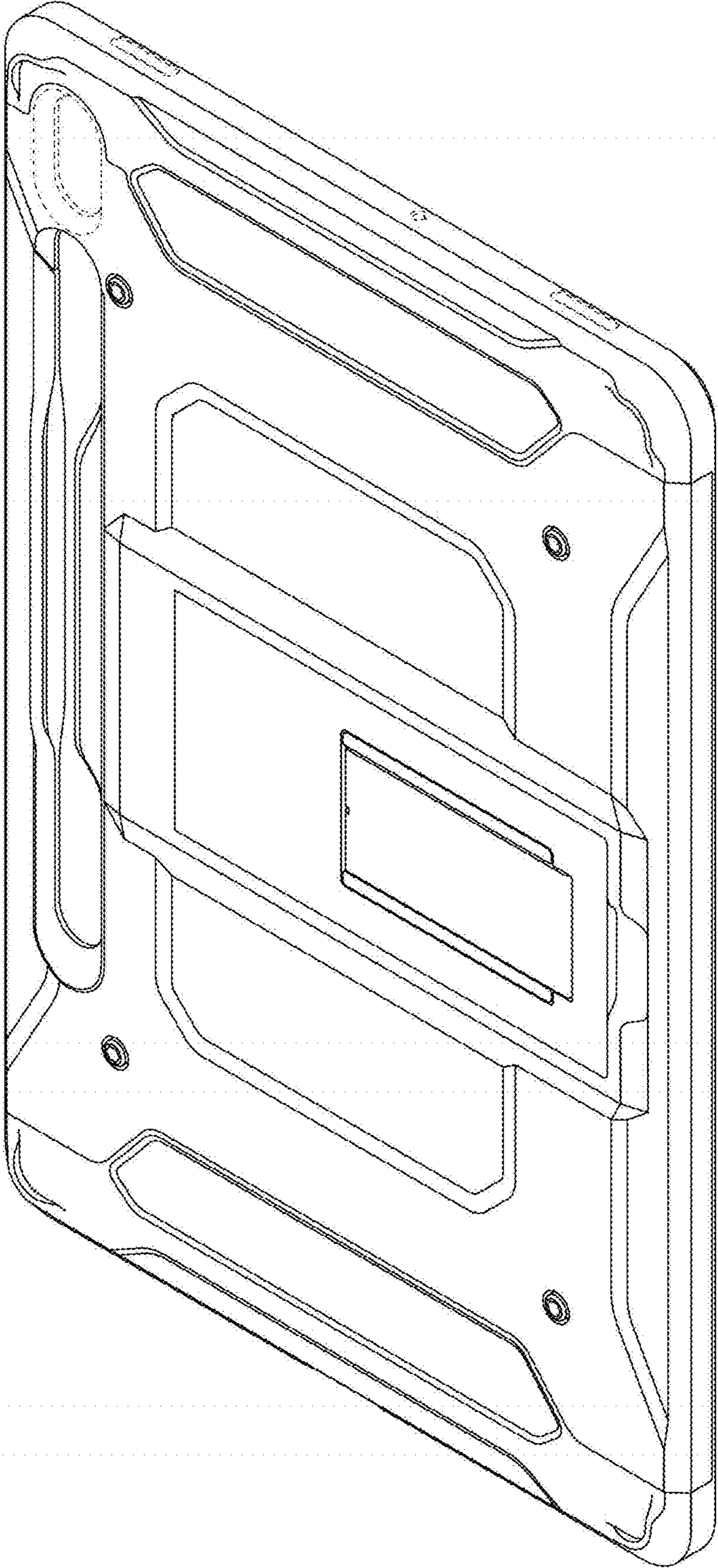


FIG. 3

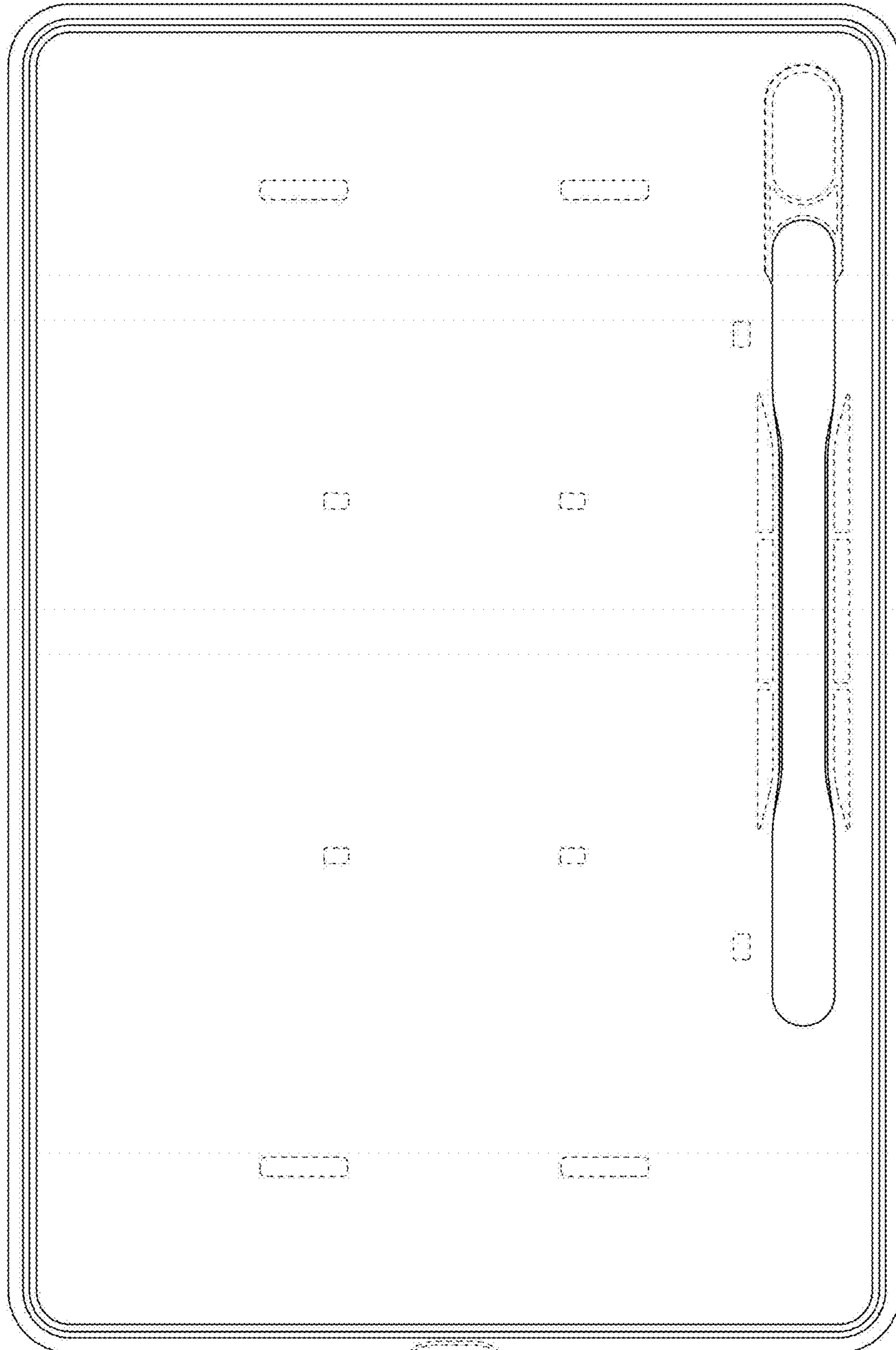


FIG. 4

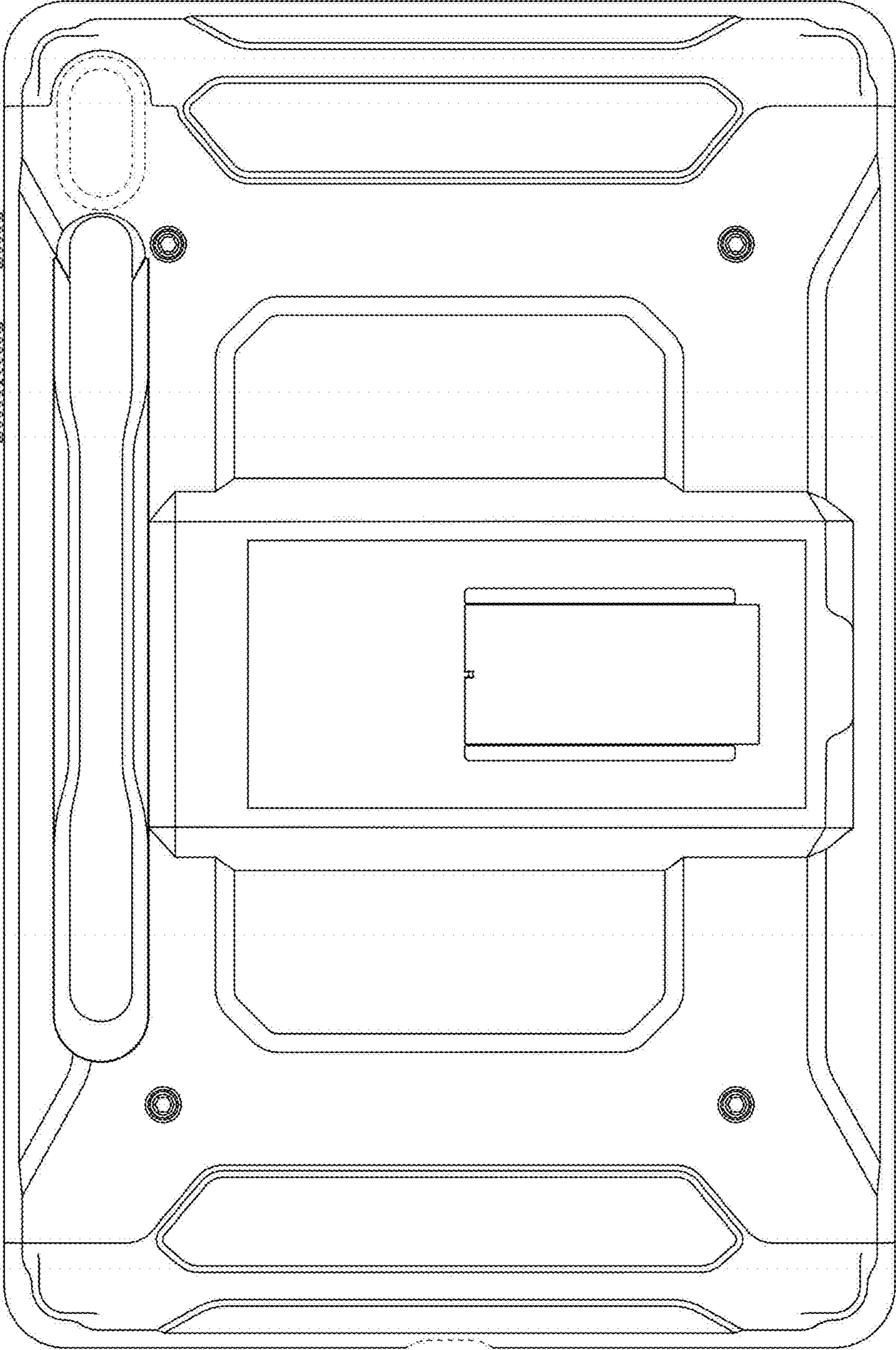


FIG. 5

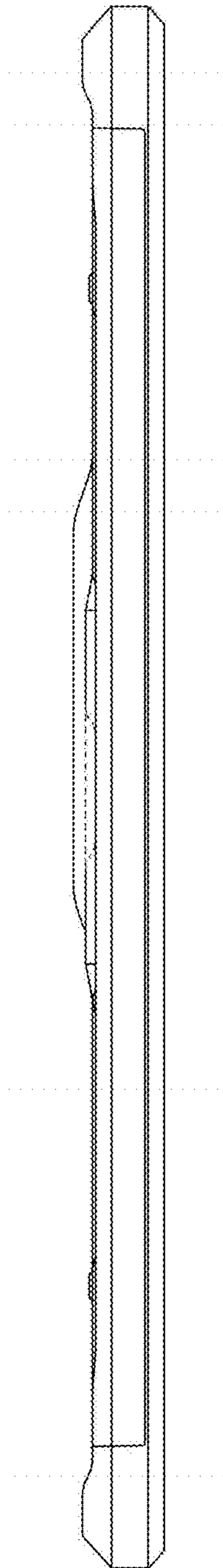


FIG. 6

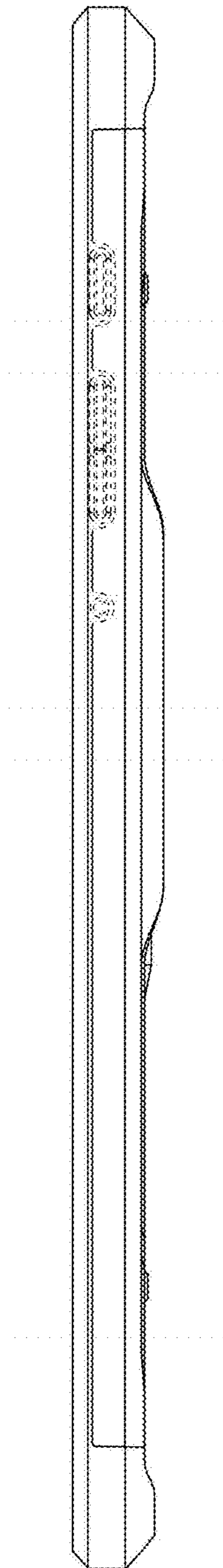


FIG. 7

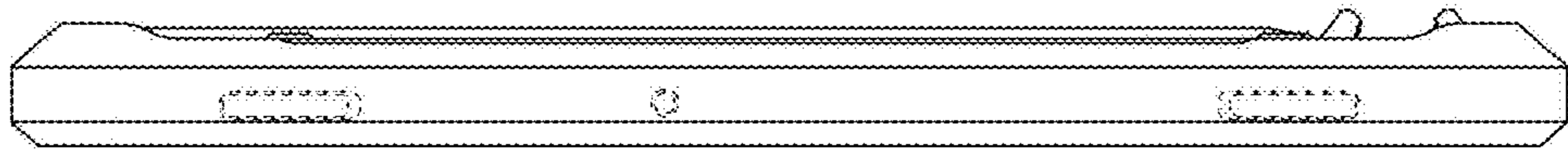


FIG. 8

