



US00D906336S

(12) **United States Design Patent** (10) **Patent No.:** **US D906,336 S**
Li (45) **Date of Patent:** **** Dec. 29, 2020**

(54) **TABLET CASE**
(71) Applicant: **SHENZHEN BAISHANCHUAN TECHNOLOGY CO., LTD**, Shenzhen (CN)

(72) Inventor: **Jinxiong Li**, Shenzhen (CN)

(73) Assignee: **SHENZHEN BAISHANCHUAN TECHNOLOGY CO., LTD**, Shenzhen (CN)

(**) Term: **15 Years**

(21) Appl. No.: **29/716,926**

(22) Filed: **Dec. 12, 2019**

(51) **LOC (12) Cl.** **14-02**

(52) **U.S. Cl.**
USPC **D14/440**

(58) **Field of Classification Search**
USPC D14/440, 447, 250; 206/45.23, 320, 206/45.2; 361/679.55; 294/25; 224/218
CPC .. A45C 1/06; A45C 1/08; A45C 11/00; G06F 1/1628; G06F 1/1626; G06F 1/1679; A47B 23/044; H04B 1/3888
See application file for complete search history.

(56) **References Cited**

U.S. PATENT DOCUMENTS

D689,056 S *	9/2013	Li	D14/440
D690,704 S *	10/2013	Padilla	D14/440
D727,917 S *	4/2015	Yeo	D14/440
D733,154 S *	6/2015	Armstrong	D14/440
D752,052 S *	3/2016	Park	D14/440
D763,853 S *	8/2016	Pearce	D14/440
D766,249 S *	9/2016	Veltz	D14/440
D784,350 S *	4/2017	Li	D14/440
D790,550 S *	6/2017	Chen	D14/440
D803,221 S *	11/2017	Guo	D14/440
D806,080 S *	12/2017	Chen	D14/440

D807,366 S *	1/2018	Chen	D14/440
D807,369 S *	1/2018	Chen	D14/440
D808,973 S *	1/2018	Chen	D14/440
D811,412 S *	2/2018	McCurdy	D14/440
D812,620 S *	3/2018	Cheng	D14/440
D821,405 S *	6/2018	Chen	D14/440

(Continued)

Primary Examiner — Cynthia R Underwood

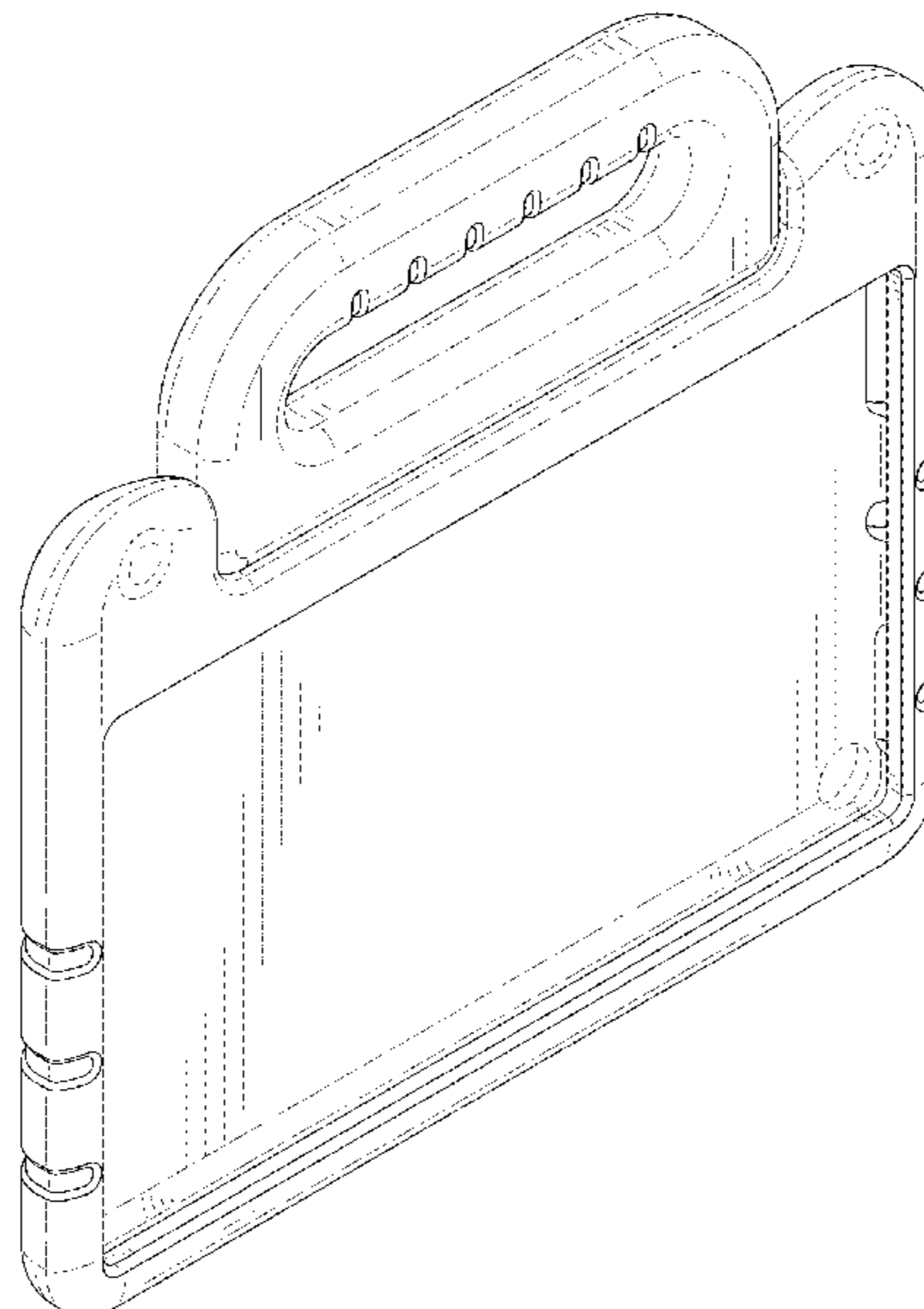
(57) **CLAIM**

The ornamental design for a tablet case, as shown and described.

DESCRIPTION

FIG 1 is a perspective view of a first embodiment of a tablet case showing my new design;
FIG. 2 is another perspective view thereof;
FIG. 3 is a front elevational view thereof;
FIG. 4 is a rear elevational view thereof;
FIG. 5 is a left side elevational view thereof;
FIG. 6 is a right side elevational view thereof;
FIG. 7 is a top plan view thereof;
FIG. 8 is a bottom plan view thereof;
FIG. 9 is a perspective view of the tablet case thereof, where the tablet case is in an alternative configuration of use;
FIG. 10 is a perspective view of a second embodiment of the tablet case showing my new design;
FIG. 11 is another perspective view thereof;
FIG. 12 is a front elevational view thereof;
FIG. 13 is a rear elevational view thereof;
FIG. 14 is a left side elevational view thereof;
FIG. 15 is a right side elevational view thereof;
FIG. 16 is a top plan view thereof;
FIG. 17 is a bottom plan view thereof; and,
FIG. 18 is a perspective view of the tablet case thereof where the tablet case is in an alternative configuration of use.
The broken lines depict portions of the tablet case and environment of use and form no part of the claim.

1 Claim, 18 Drawing Sheets



(56)

References Cited

U.S. PATENT DOCUMENTS

D854,022	S *	7/2019	Chen	D14/440
D860,212	S *	9/2019	Ahn	D14/440
D862,478	S *	10/2019	Ahn	D14/440
D862,479	S *	10/2019	Ahn	D14/440
D862,480	S *	10/2019	Chan	D14/440
D863,313	S *	10/2019	Li	D14/440
D879,105	S *	3/2020	Li	D14/440
D886,109	S *	6/2020	Li	D14/440
D897,349	S *	9/2020	Li	D14/440
D898,035	S *	10/2020	Xu	D14/440
2012/0075799	A1 *	3/2012	Pollex	F16M 11/041 361/679.56
2017/0045920	A1 *	2/2017	Armstrong et al.	..	G06F 1/1669
2017/0097698	A1 *	4/2017	Maeshima	G06F 3/03545

* cited by examiner

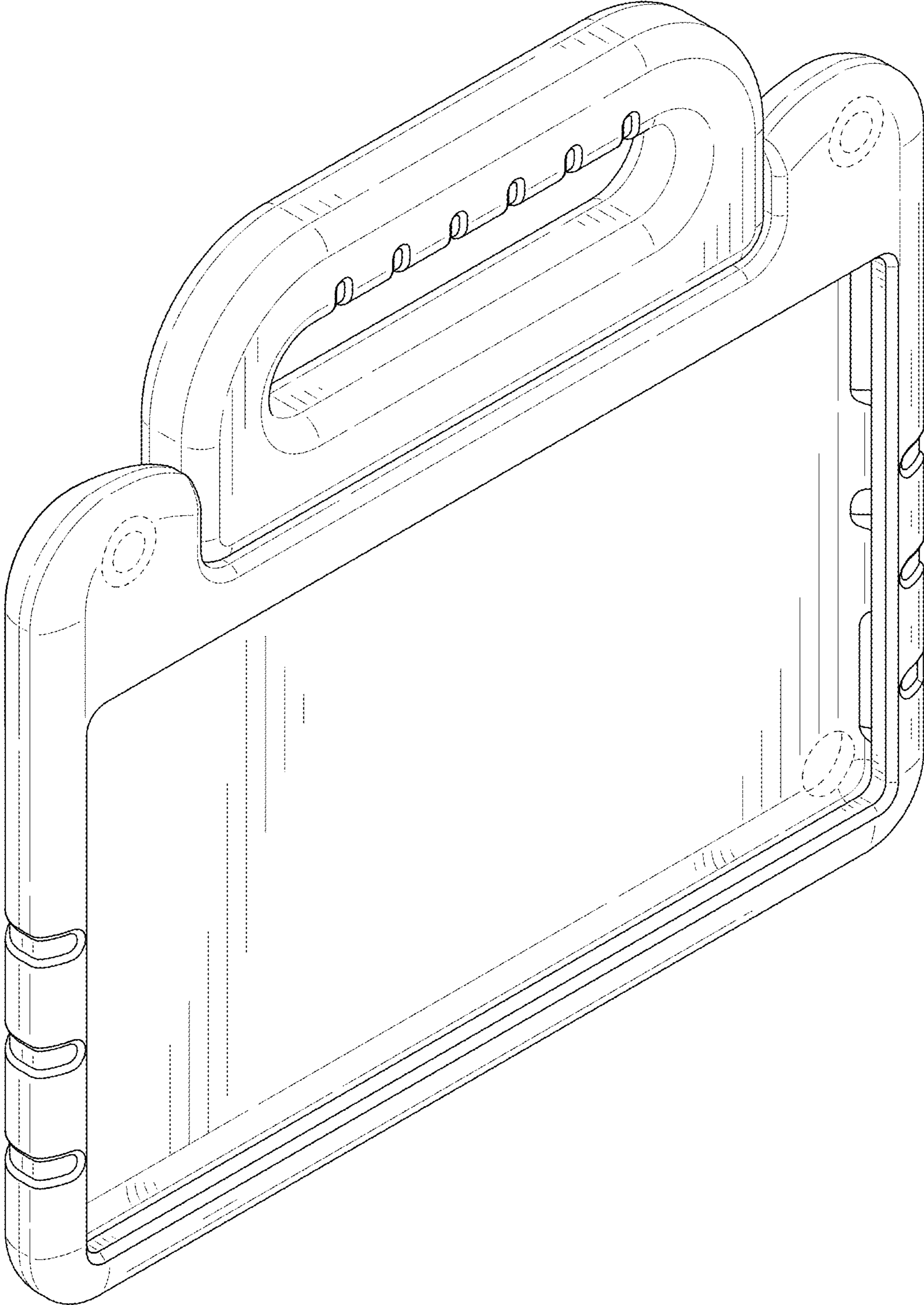


FIG. 1

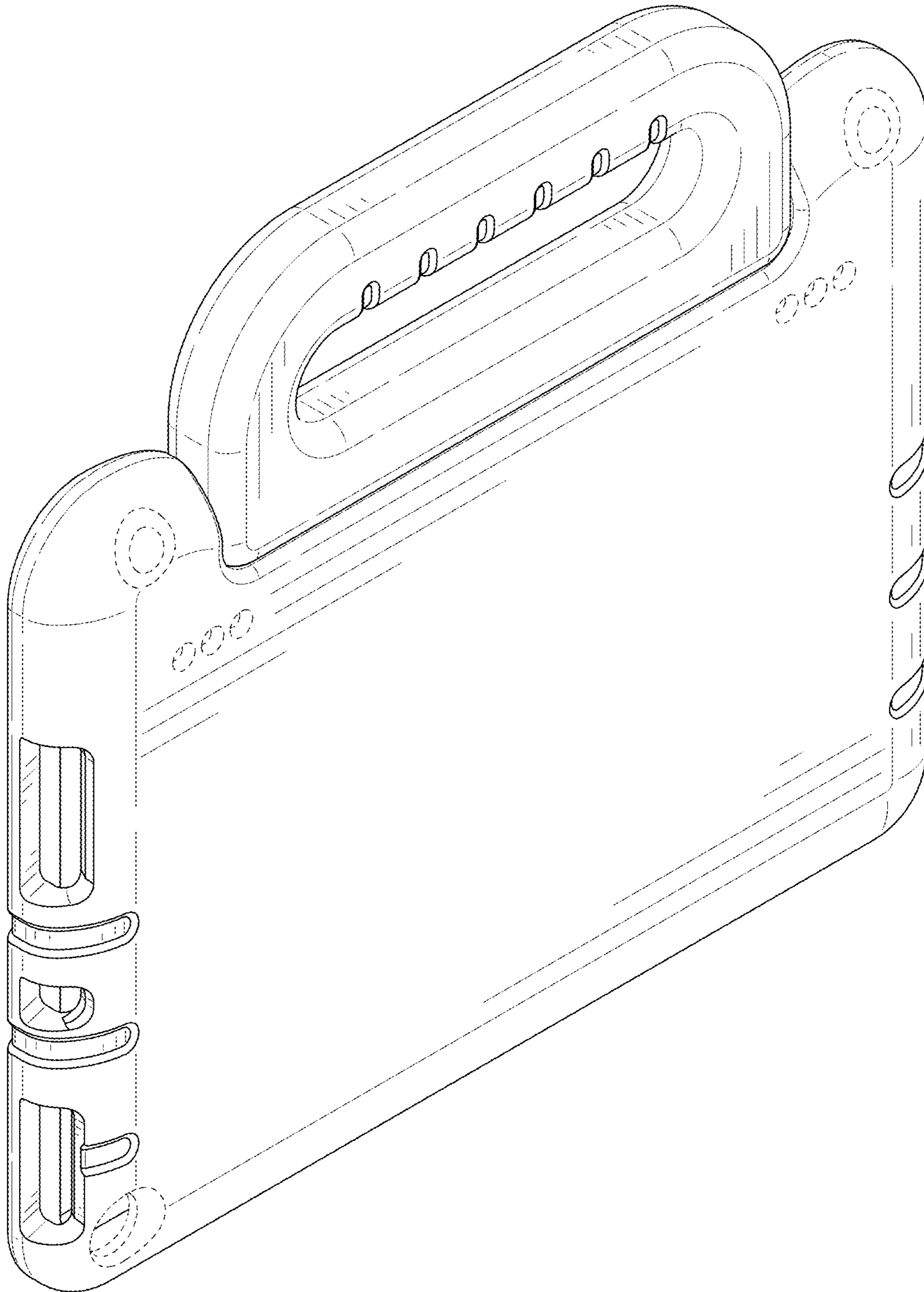


FIG. 2

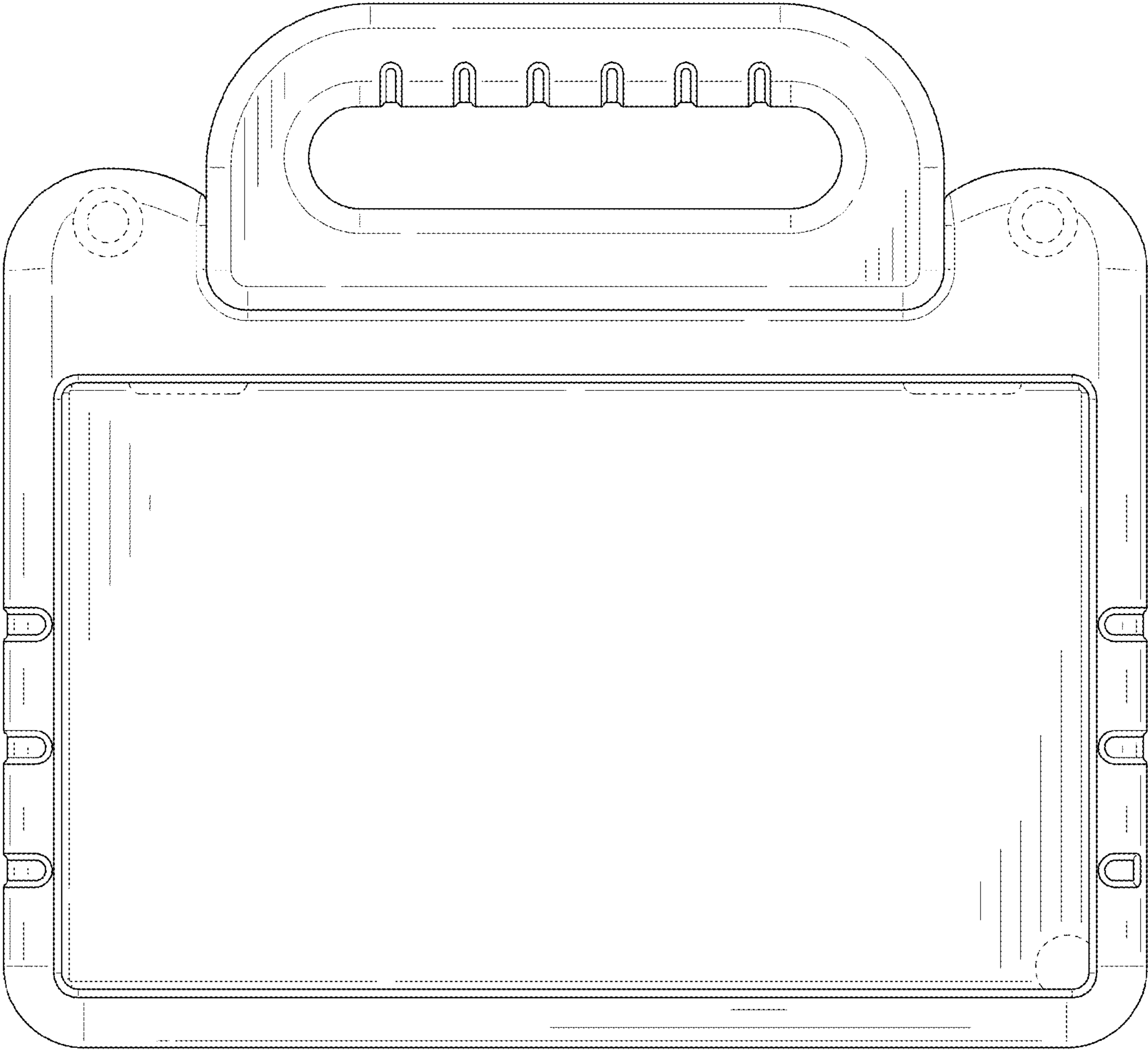


FIG. 3

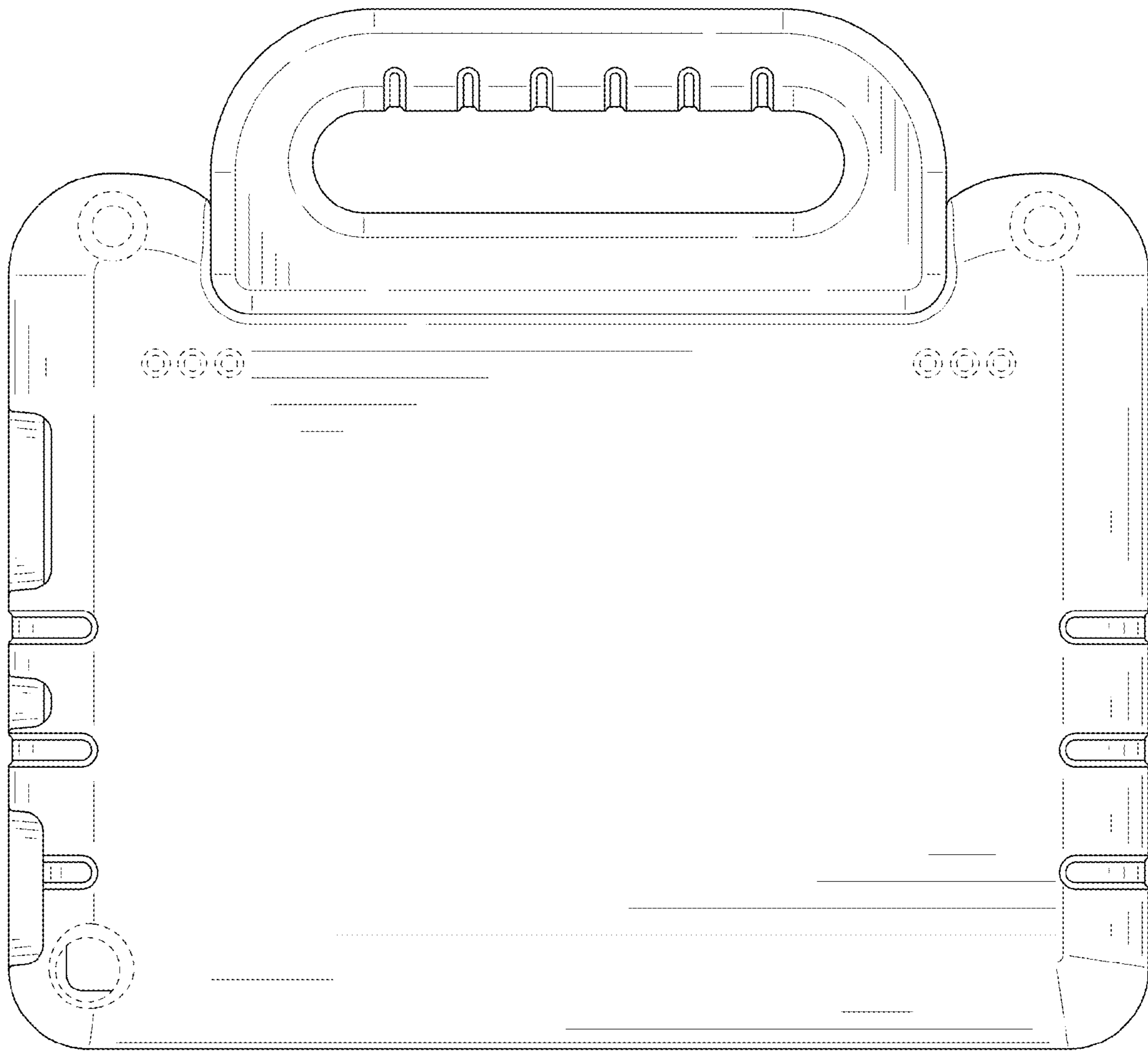


FIG. 4

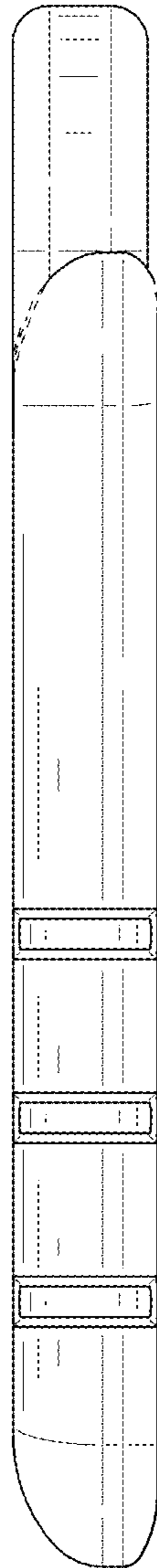


FIG. 5

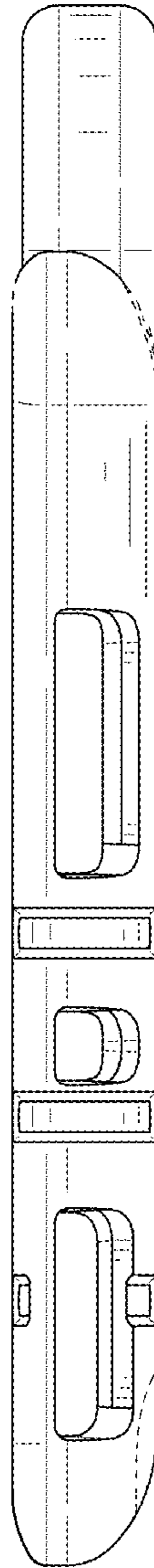


FIG. 6

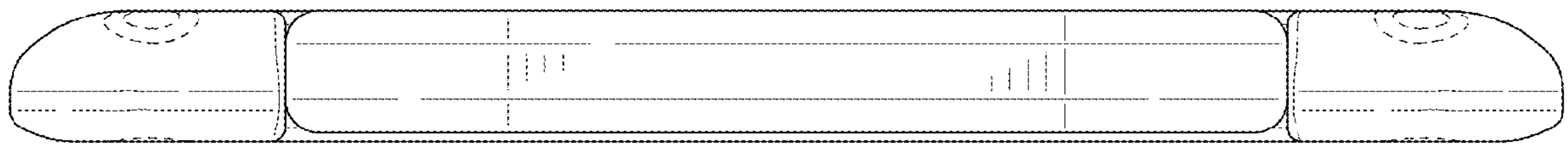


FIG. 7

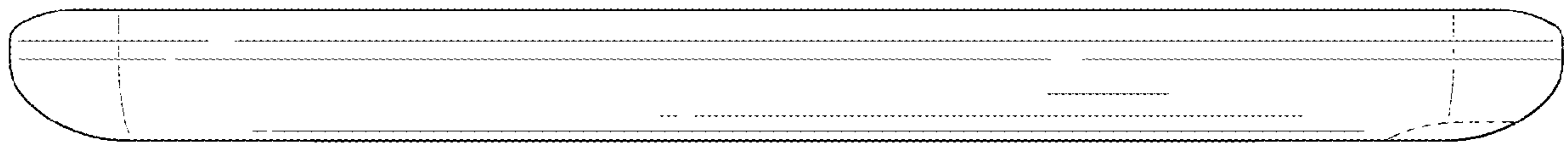


FIG. 8

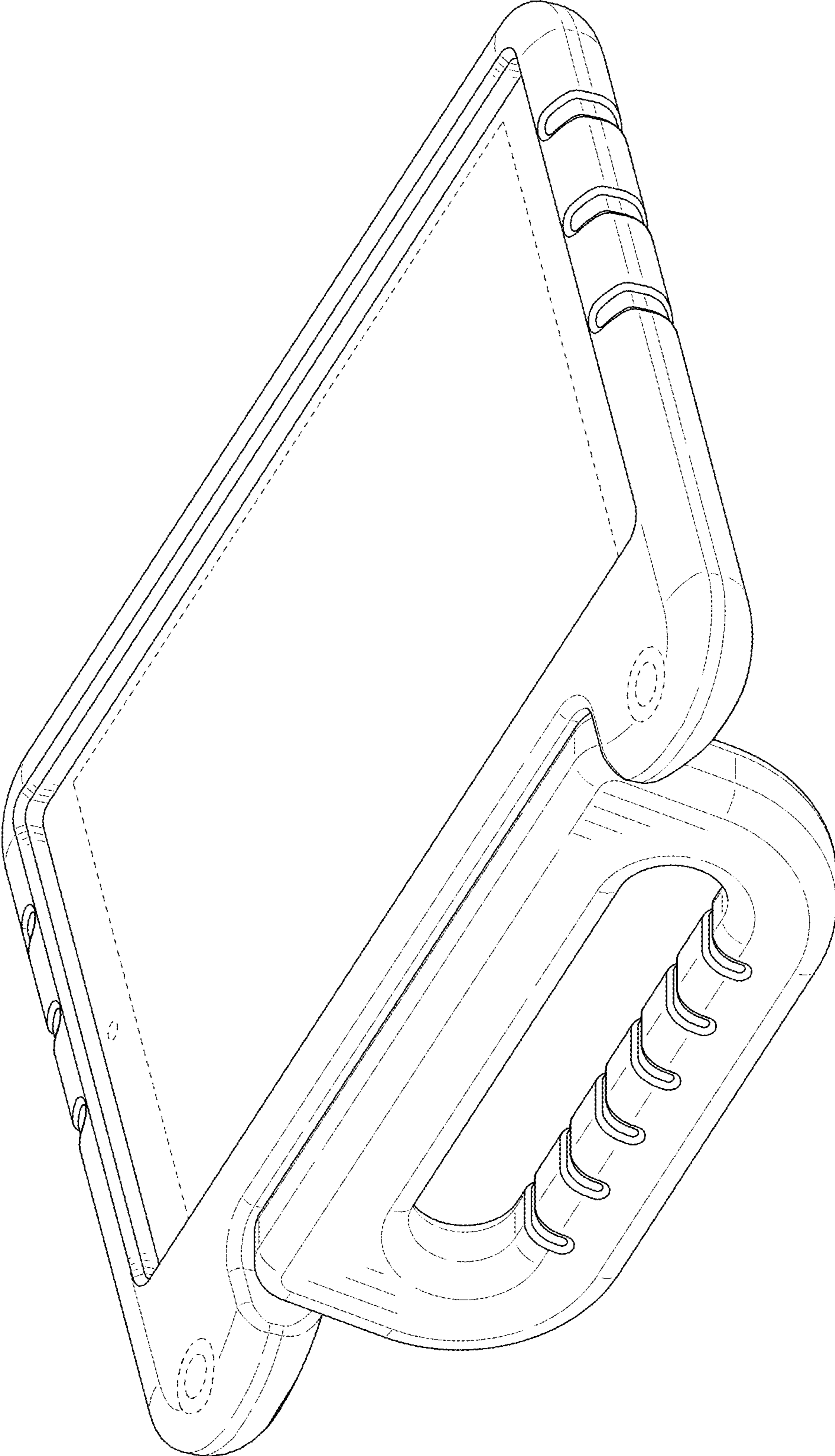


FIG. 9

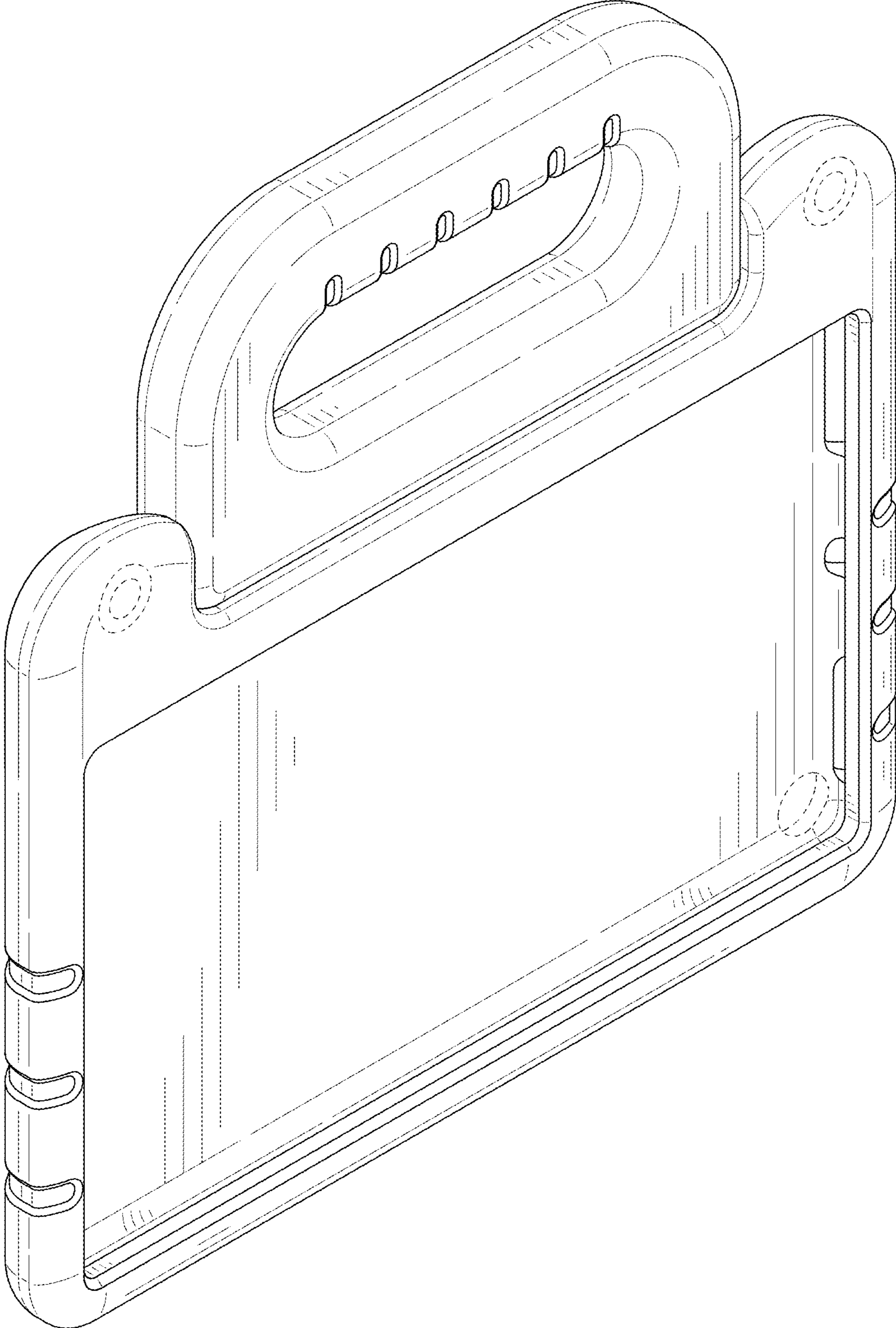


FIG. 10

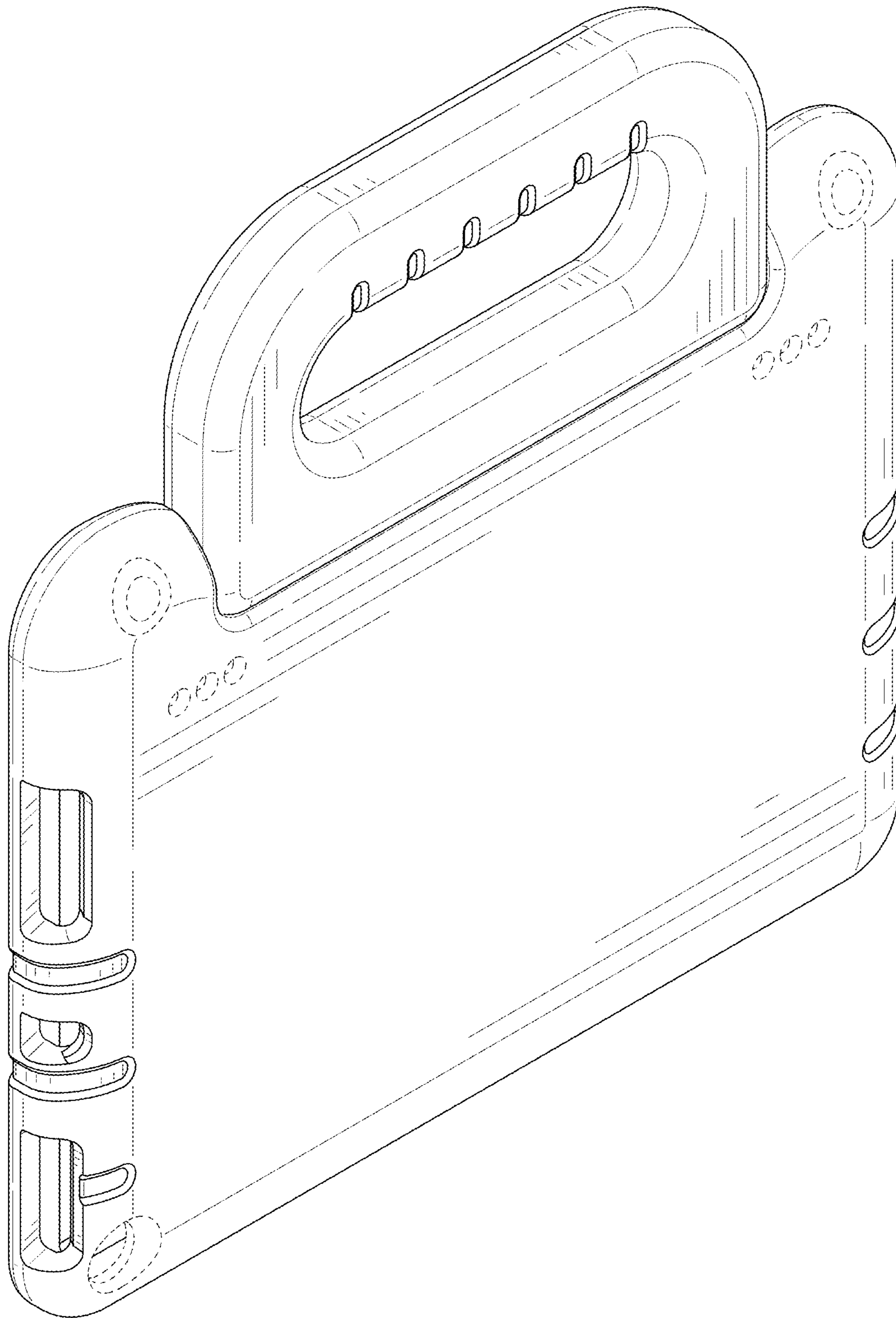


FIG. 11

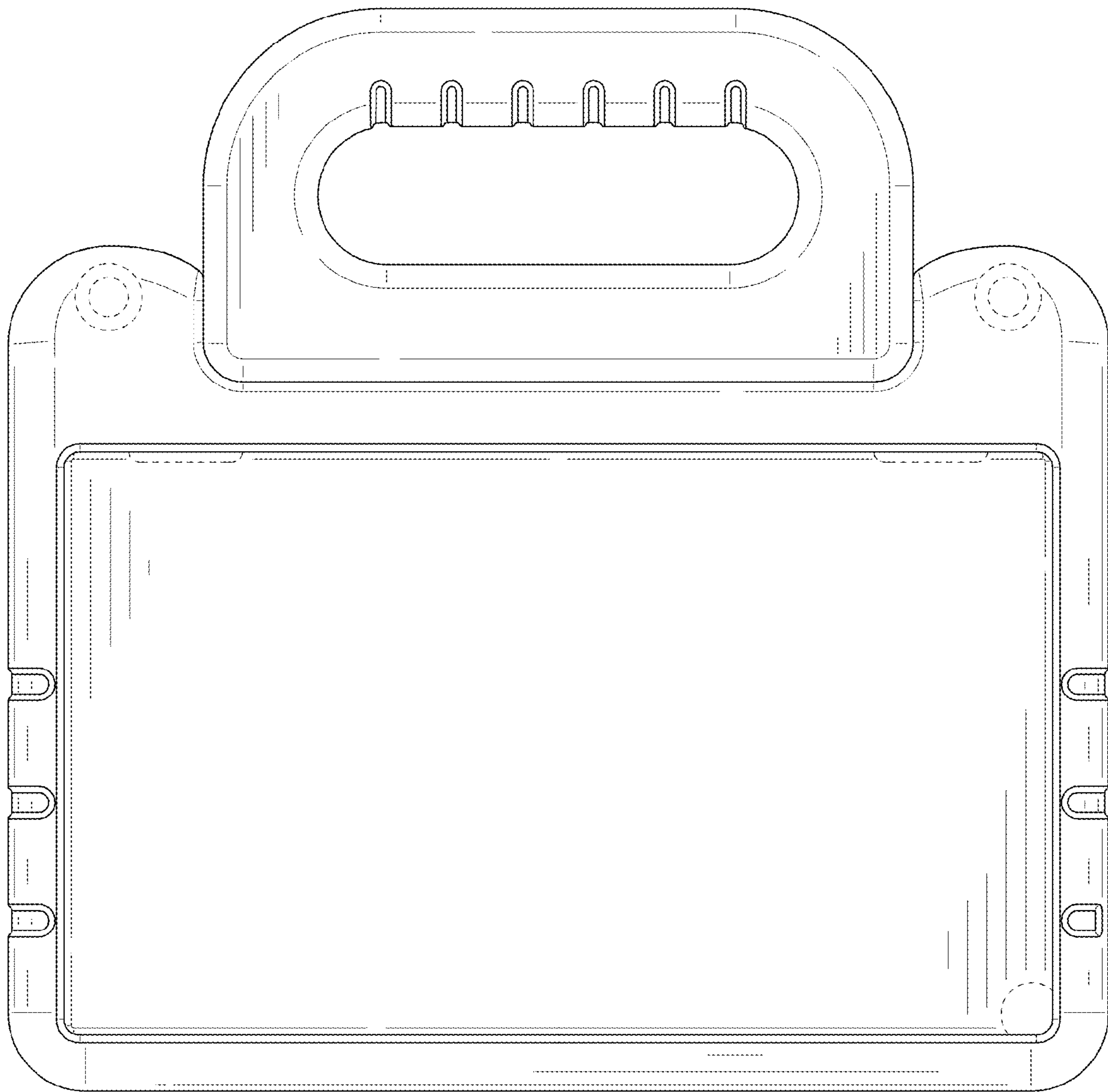


FIG. 12

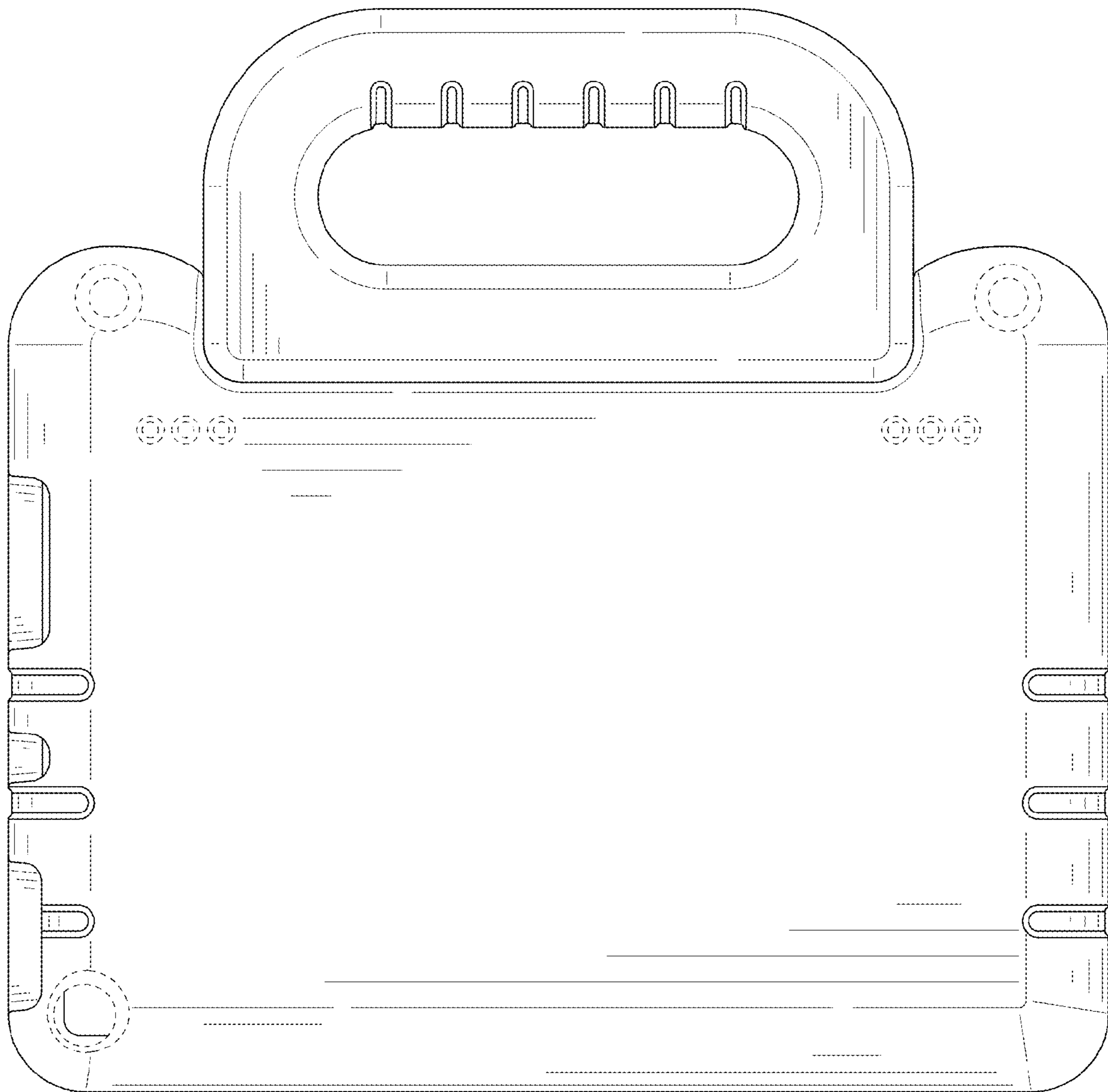


FIG. 13

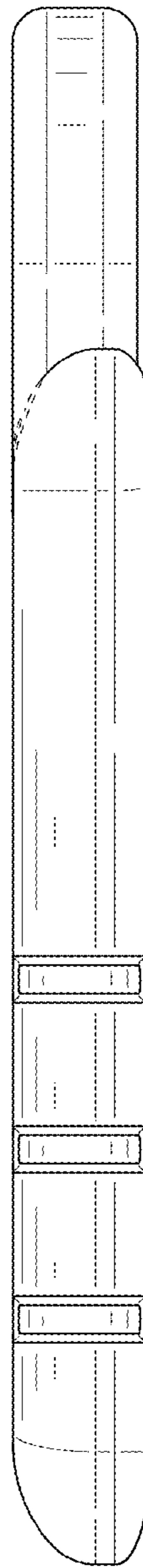


FIG. 14

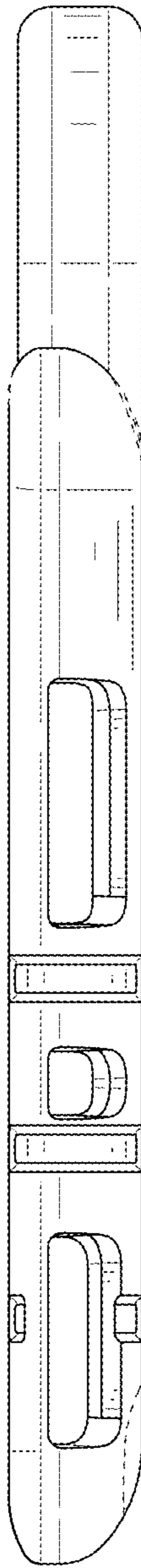


FIG. 15

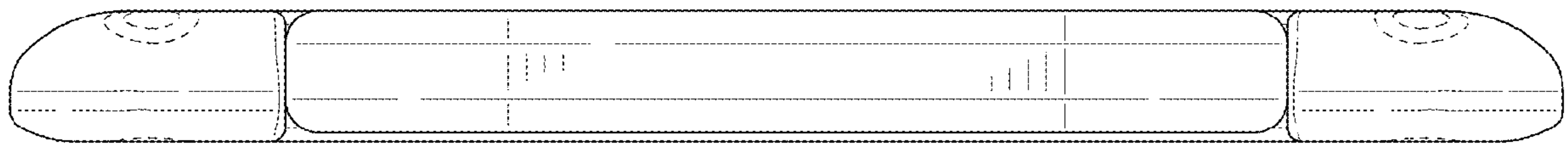


FIG. 16

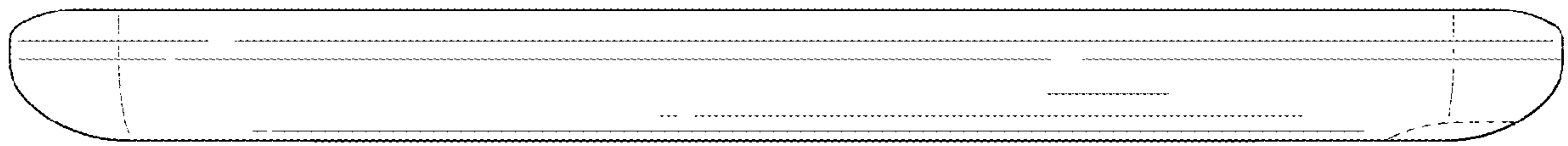


FIG. 17

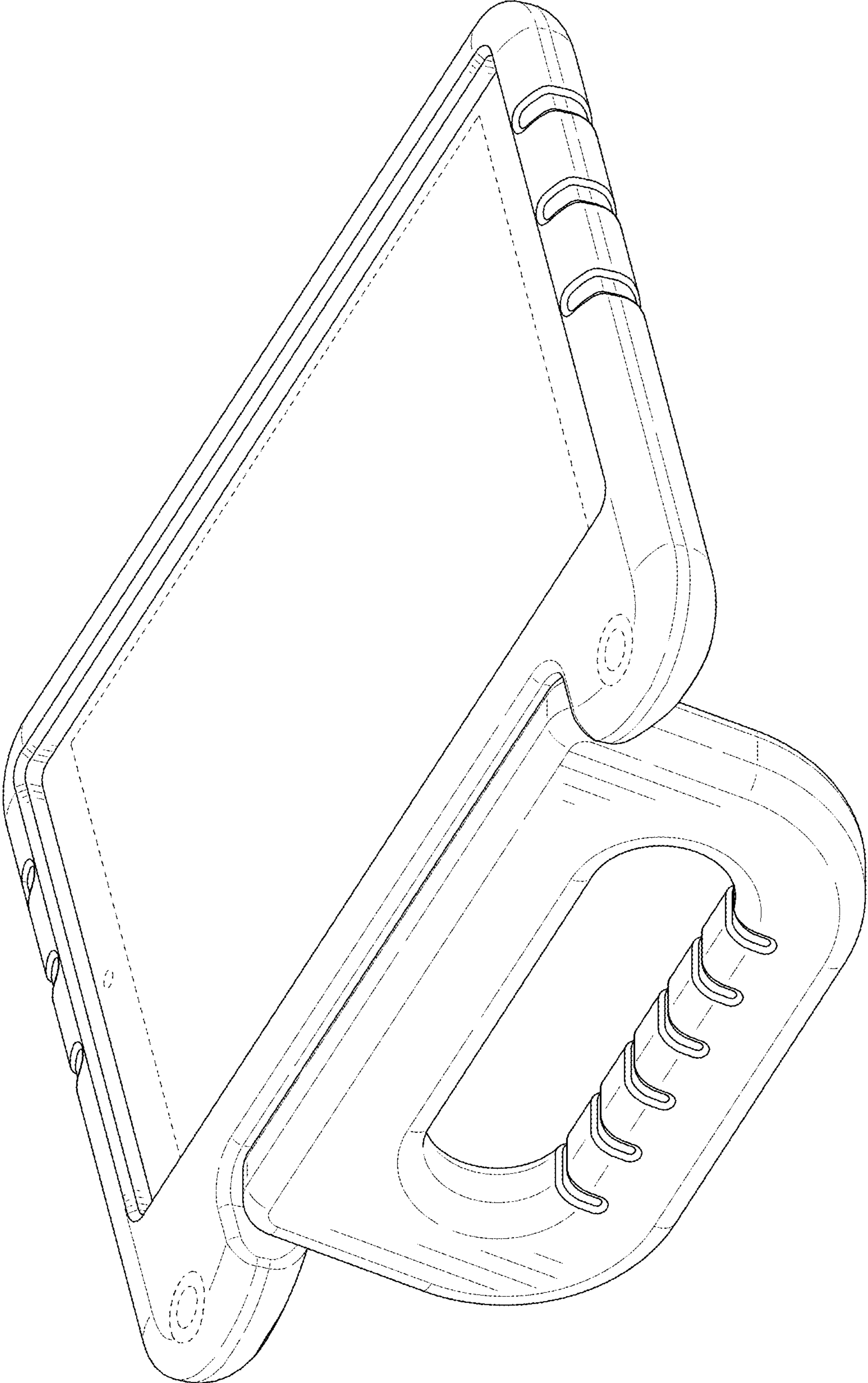


FIG. 18