



US00D906329S

(12) **United States Design Patent** (10) **Patent No.:** **US D906,329 S**
Wu (45) **Date of Patent:** **** Dec. 29, 2020**

(54) **FOLDING SCREEN**
(71) Applicant: **Shi hong Wu**, Guangxi (CN)
(72) Inventor: **Shi hong Wu**, Guangxi (CN)
(73) Assignee: **DONGGUAN KINGTRON ELECTRONICS TECHNOLOGY CO., LTD**, Dongguan (CN)

D898,737 S * 10/2020 Chen D14/345
2002/0135974 A1* 9/2002 Bell G06F 1/1632
361/679.41
2014/0065326 A1* 3/2014 Lee G09F 9/301
428/12

(**) Term: **15 Years**

FOREIGN PATENT DOCUMENTS

CN 201530569452 * 6/2016
CN 201830129044 * 12/2018
CN 201930232236.1 * 5/2020

(Continued)

(21) Appl. No.: **29/735,103**

OTHER PUBLICATIONS

(22) Filed: **May 18, 2020**

Dell XPS 13 2-in-1 Touchscreen Laptop, 2019 [online], [retrieved Jul. 18, 2020], Retrieved from Internet, URL: <https://www.costco.com/dell-xps-13-2-in-1-touchscreen-laptop---10th-gen-intel-core-i7---1200p.product.100513808.html> (Year: 2019).*

(51) **LOC (12) Cl.** **14-02**

(52) **U.S. Cl.**
USPC **D14/345**; D14/341; D14/126

(Continued)

(58) **Field of Classification Search**
USPC D14/126–128, 138 AC, 138 R, 203.3,
D14/341–346
CPC G06F 1/16; G06F 1/1601; G06F 1/1637;
H04N 5/64; H05K 5/0204; H05K 5/0017;
H05K 5/0217
See application file for complete search history.

Primary Examiner — Barbara Fox
Assistant Examiner — Aram Kwon
(74) *Attorney, Agent, or Firm* — Justin Lampel

(56) **References Cited**

(57) **CLAIM**

The ornamental design for a folding screen, as shown and described.

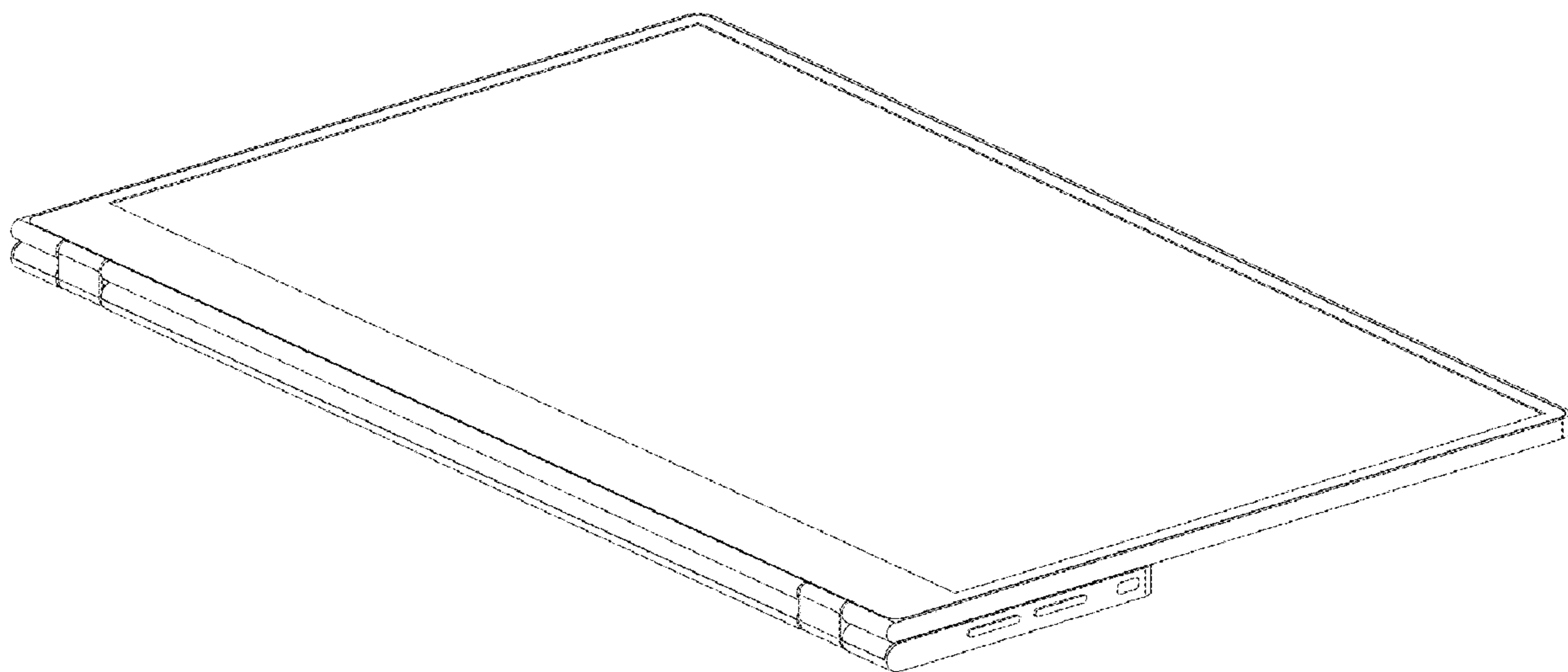
U.S. PATENT DOCUMENTS

DESCRIPTION

D706,773 S * 6/2014 Lu D14/341
D712,867 S * 9/2014 Vats D14/138 AB
D713,841 S * 9/2014 Lim D14/341
D715,290 S * 10/2014 Bryan D14/341
D717,295 S * 11/2014 Jensen D14/315
D749,564 S * 2/2016 Cho D14/341
D749,565 S * 2/2016 Cho D14/341
D754,122 S * 4/2016 Oakley D14/336
D801,964 S * 11/2017 Yu D14/341
D833,431 S * 11/2018 Bae D14/345
D837,205 S * 1/2019 Hu D14/341
10,474,024 B2 11/2019 Mathieson
D889,457 S * 7/2020 Li D14/341

FIG. 1 is a perspective view of a folding screen, showing the claimed design;
FIG. 2 is a top plan view thereof;
FIG. 3 is a left side view thereof;
FIG. 4 is a front elevational view thereof;
FIG. 5 is a right side view thereof;
FIG. 6 is a rear elevational view thereof; and,
FIG. 7 is a bottom plan view thereof.
The broken lines shown in FIG. 6 depict portions of the folding screen that form no part of the claimed design.

1 Claim, 7 Drawing Sheets



(56)

References Cited

FOREIGN PATENT DOCUMENTS

CN	201930697426.0	*	6/2020
CN	202030042084.1	*	6/2020
JP	D2017-18600	*	4/2018
KR	3020110036253	*	4/2012
KR	3020150044360	*	3/2016

OTHER PUBLICATIONS

Lenovo Unveils Preview of the World's First Foldable PC, May 13, 2019 [online], [retrieved Jul. 18, 2020], Retrieved from Internet, URL: <<https://news.lenovo.com/pressroom/press-releases/lenovo-unveils-preview-worlds-first-foldable-pc-thinkpad-x1-family/>> (Year: 2019).*

* cited by examiner

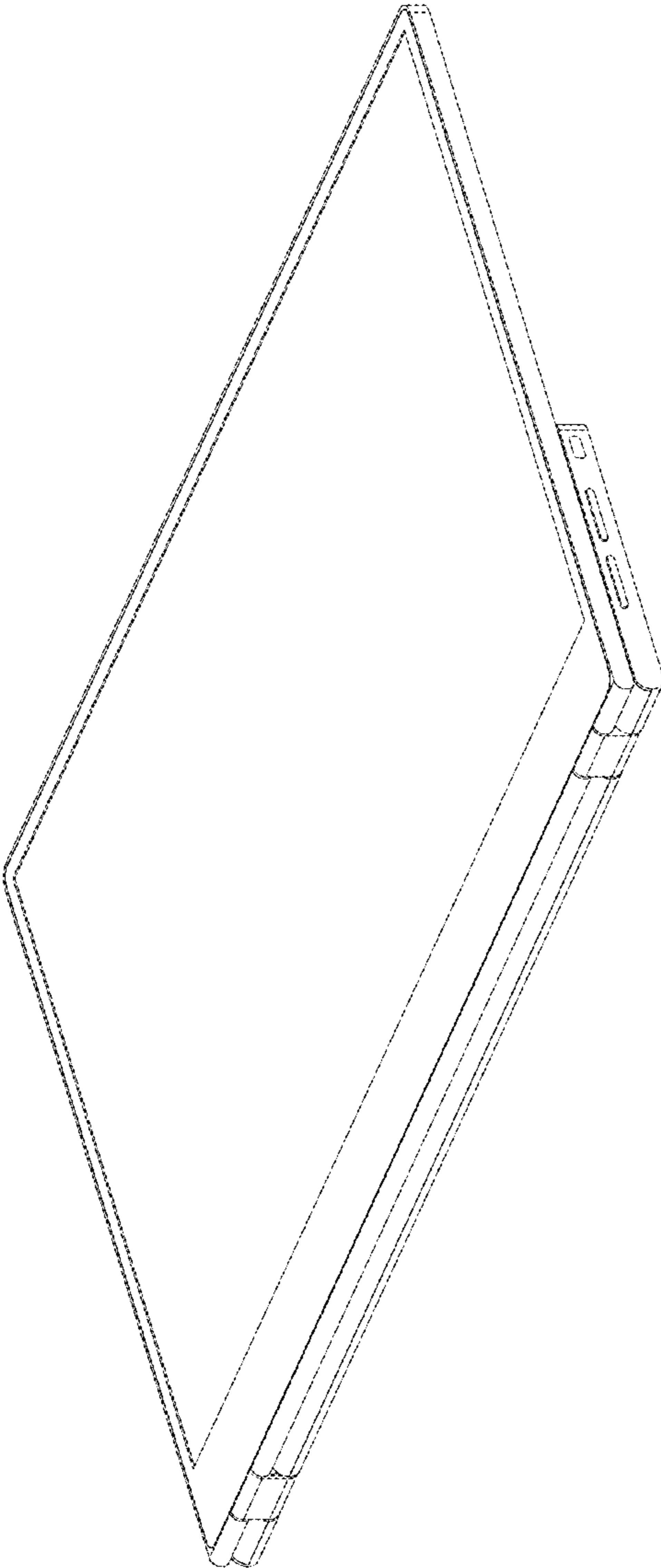


FIG.1

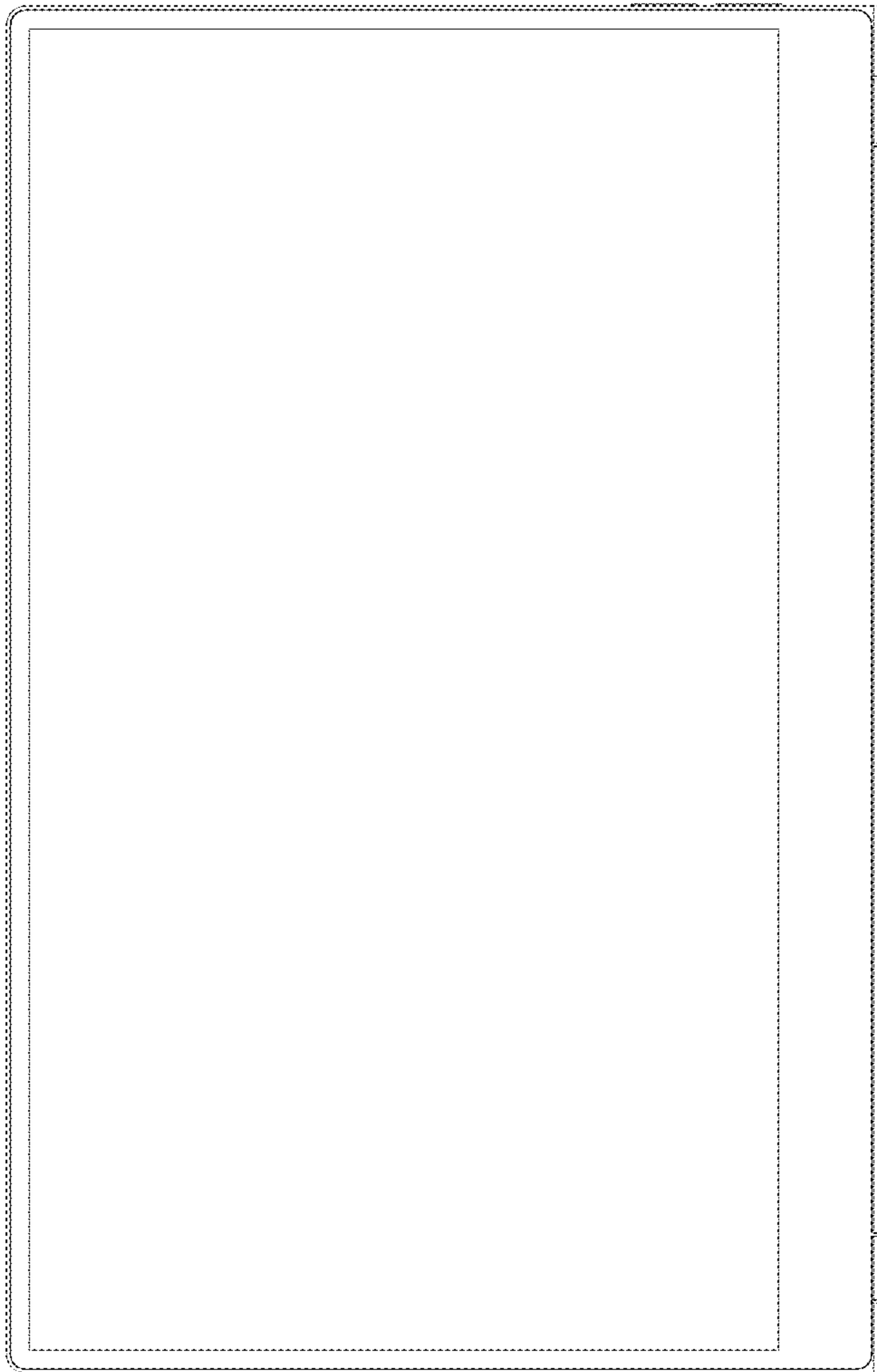


FIG. 2

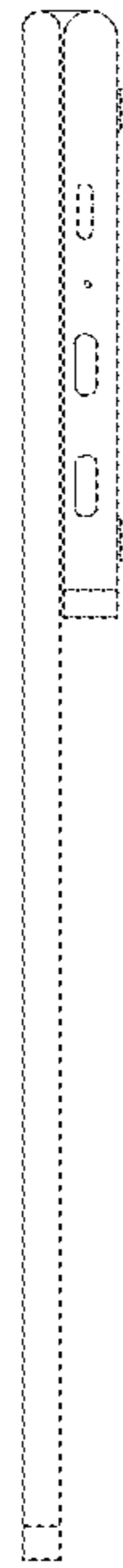


FIG. 3

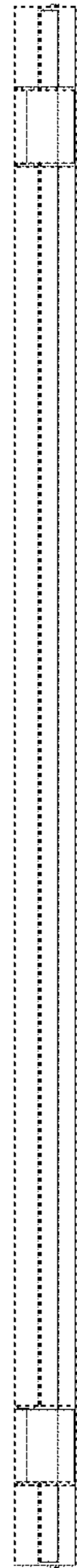


FIG.4

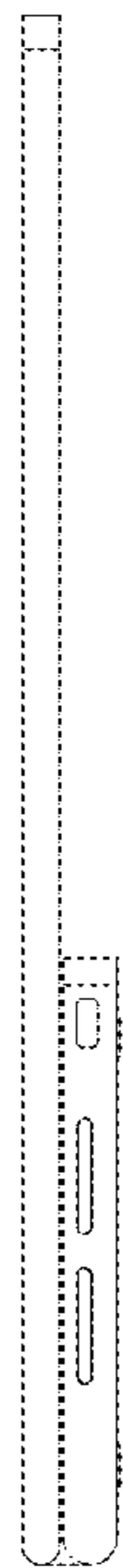


FIG. 5

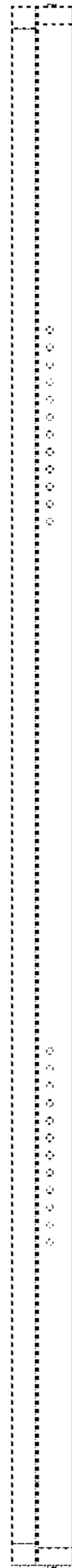


FIG.6

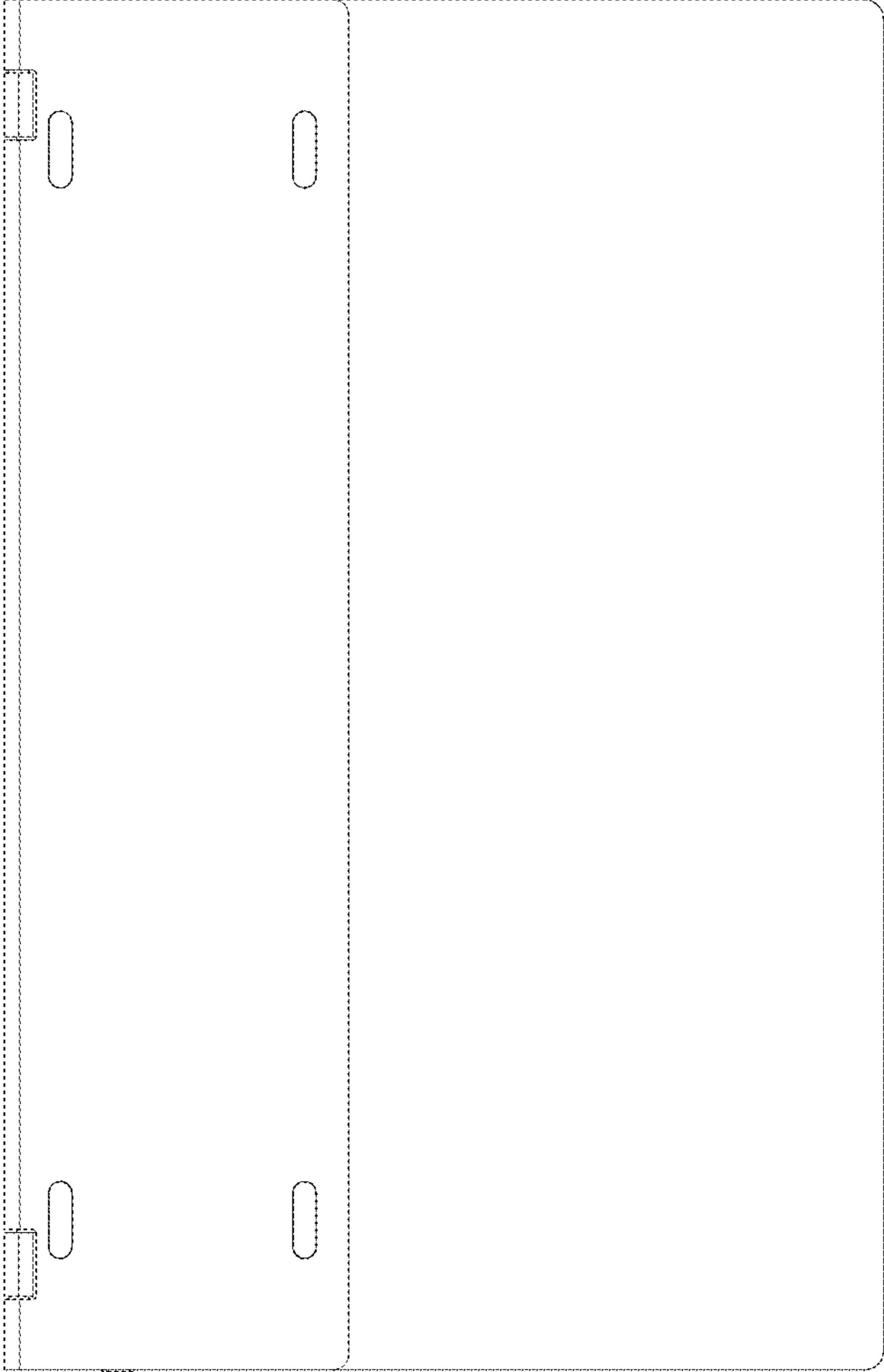


FIG. 7