



US00D906328S

(12) **United States Design Patent** (10) **Patent No.:** **US D906,328 S**
Kim (45) **Date of Patent:** **** Dec. 29, 2020**

- (54) **STAND FOR ELECTRONIC DEVICE**
- (71) Applicant: **SPIGEN KOREA CO., LTD.**, Seoul (KR)
- (72) Inventor: **Seung Joo Kim**, Seoul (KR)
- (73) Assignee: **SPIGEN KOREA CO., LTD.**, Seoul (KR)
- (**) Term: **15 Years**
- (21) Appl. No.: **29/695,991**
- (22) Filed: **Jun. 24, 2019**

D719,959 S	12/2014	Vogel	
D723,573 S	3/2015	Padro	
D725,660 S	3/2015	Trotsky	
D726,193 S	4/2015	Kim et al.	
D726,704 S	4/2015	Park et al.	
D726,732 S	4/2015	Lay et al.	
D728,580 S *	5/2015	Campbell	D14/447
D735,210 S	7/2015	Kim	
D737,264 S	8/2015	Shamsadov	
D739,857 S	9/2015	Lay	
9,179,565 B2	11/2015	Cho	
D747,321 S	1/2016	London et al.	
D748,639 S	2/2016	Khodapanah	
D749,083 S	2/2016	Senoff	
D749,559 S	2/2016	Senoff	
D752,054 S	3/2016	Baumann	
D753,912 S	4/2016	Spero	
D756,366 S	5/2016	Floersch	
D760,075 S	6/2016	Irimia et al.	
D760,492 S	7/2016	Chang	
9,397,717 B2	7/2016	Curran	
9,421,920 B2 *	8/2016	Jang	F16M 11/041
D765,549 S	9/2016	Khodapanah	
D765,662 S	9/2016	Kang	
D768,635 S	10/2016	Due	
D773,325 S	12/2016	Browning	
D775,619 S	1/2017	Tien	
D782,488 S	3/2017	Kim	
D782,489 S	3/2017	Kim	
D784,808 S	4/2017	Berroa Garcia	
D794,456 S	8/2017	Rockwell	
D794,607 S	8/2017	Srouf	
D797,855 S	9/2017	Katsuno	
D803,222 S *	11/2017	Cheng	D14/440
D806,085 S	12/2017	Nelson et al.	
D807,349 S	1/2018	Lee	
D811,412 S	2/2018	McCurdy	
D812,563 S	3/2018	Akana et al.	
D814,476 S	4/2018	Roberts et al.	
D819,645 S	6/2018	Roberts et al.	
D824,911 S	8/2018	London et al.	
D825,572 S	8/2018	Kim	
D825,642 S	8/2018	Maiwald	
D827,612 S	9/2018	Srouf	
D829,722 S	10/2018	Kim	
D833,448 S	11/2018	Kilkenny	
D834,412 S	11/2018	Pentland	
D834,562 S	11/2018	Davids	
10,117,505 B1 *	11/2018	Alvarez	A45F 5/00
D839,191 S	1/2019	Akana et al.	
10,221,898 B2 *	3/2019	Castillo	G06F 1/1601
D844,598 S	4/2019	Jang	
10,274,814 B2 *	4/2019	Jeon	F16M 11/32

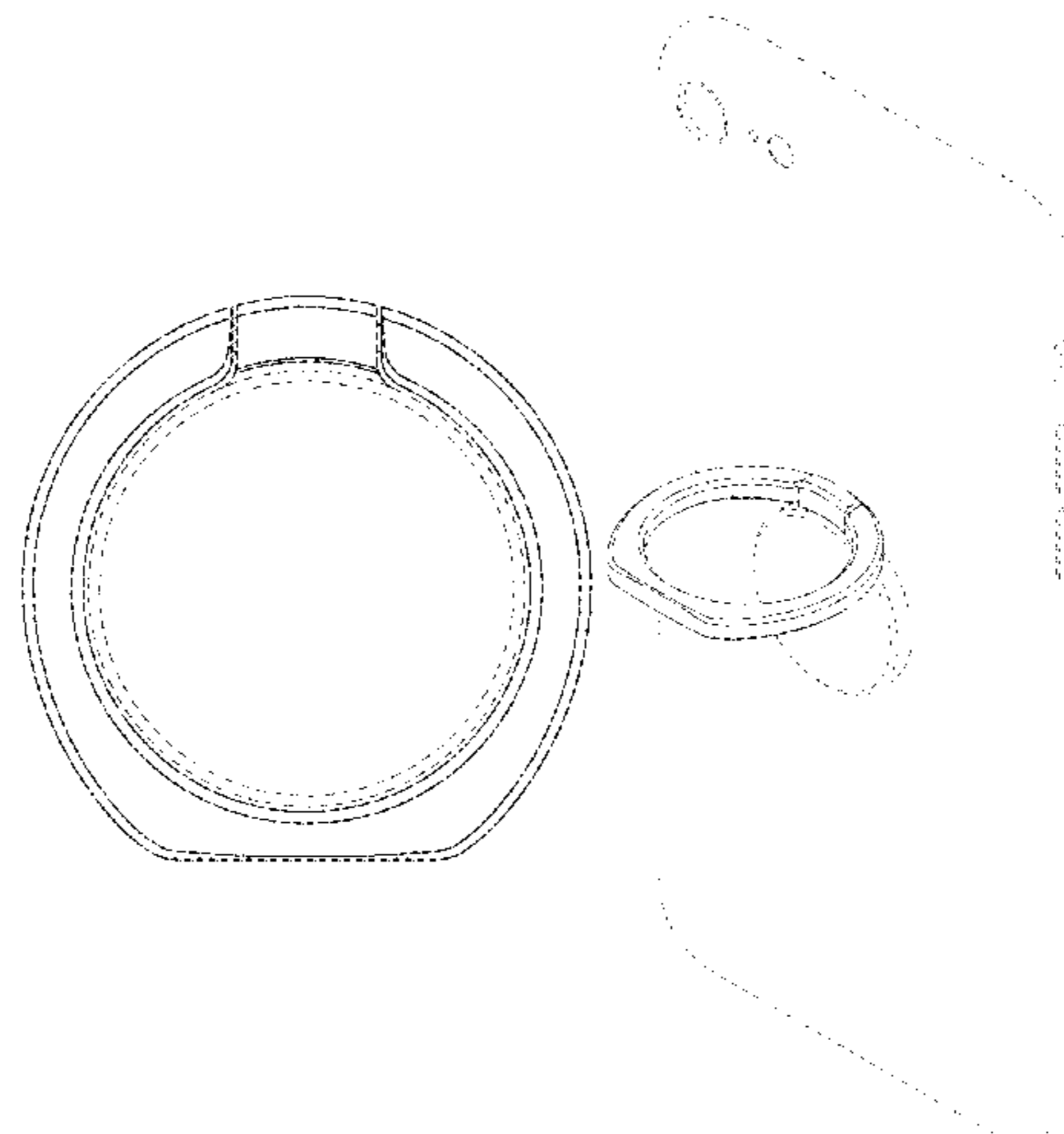
Related U.S. Application Data

- (63) Continuation of application No. 29/604,114, filed on May 15, 2017, now Pat. No. Des. 855,048.
- (51) **LOC (12) Cl.** **14-03**
- (52) **U.S. Cl.**
USPC **D14/253**
- (58) **Field of Classification Search**
USPC D14/144, 217, 224, 251-253, 434, 447, D14/451-452; D3/215, 218; D12/114, D12/177, 223, 400, 415, 417; D16/242-243; D9/435; D11/2, 79-80
CPC F16M 13/022; F16M 11/041; F16M 13/00; F16M 13/02; F16M 11/10; A44C 9/003; A44C 9/0061
See application file for complete search history.

(56) **References Cited**

U.S. PATENT DOCUMENTS

D495,600 S	9/2004	Kouri
D537,342 S	2/2007	Smith et al.
D538,161 S	3/2007	Smith et al.
D539,650 S	4/2007	Smith et al.
D540,167 S	4/2007	Smith et al.
D608,541 S	1/2010	Myers
D642,376 S	8/2011	Pennington
D677,261 S	3/2013	Hsu et al.
D680,867 S	4/2013	Kopulos et al.
D692,898 S	11/2013	Luijben



10,278,299	B2 *	4/2019	Kim	E05D 3/022
D849,586	S *	5/2019	Li	D11/79
D850,455	S *	6/2019	Cheng	D14/440
D855,048	S *	7/2019	Kim	D14/253
D855,049	S *	7/2019	Kim	D14/253
D857,688	S	8/2019	Ren		
D858,507	S *	9/2019	Jang	D14/251
D859,417	S *	9/2019	Kim	D14/447
D861,333	S *	10/2019	Feng	D3/218
D861,334	S *	10/2019	Feng	D3/218
D863,288	S *	10/2019	Wu	D14/251
D864,914	S	10/2019	Kitamura		
10,428,997	B2 *	10/2019	Jang	B60R 11/02
D866,546	S	11/2019	Stillwell et al.		
D867,938	S *	11/2019	Brockway	D12/133
D871,389	S *	12/2019	Lim	D14/253
D871,754	S *	1/2020	Feng	D3/218
2001/0020369	A1 *	9/2001	Hirano	A44C 9/003 63/15.4
2001/0040202	A1	11/2001	Adams		
2004/0177647	A1 *	9/2004	Dennis	A44C 9/003 63/29.1
2012/0048873	A1	3/2012	Hyseni		
2013/0146625	A1	6/2013	Karle		
2014/0166707	A1	6/2014	Leisey-Bartsch		
2015/0009610	A1	1/2015	London		
2015/0257288	A1 *	9/2015	Livernois	F16M 11/38 248/346.06
2016/0134733	A1	5/2016	Murphy		
2017/0055660	A1	3/2017	Tien		
2017/0104854	A1 *	4/2017	Park	A45F 5/00
2018/0220782	A1 *	8/2018	Mody	A45F 5/00
2018/0228255	A1 *	8/2018	Yep	A44C 9/0023
2018/0352829	A1 *	12/2018	Diamond	A23G 3/563
2019/0286189	A1 *	9/2019	Griffin	G06F 1/1698

FOREIGN PATENT DOCUMENTS

KR	30-0657929	S	8/2012
KR	30-0674054	S	12/2012
KR	10-1316363	S	10/2013
KR	30-0718509	S	12/2013
KR	30-07185090001	S	3/2014
KR	10-2014-0123649	A	10/2014
KR	30-0775347	S	12/2014
KR	20-0476134	Y1	2/2015

OTHER PUBLICATIONS

Finger Ring Stand, KuGi 360 Degree Rotation Zinc Alloy phone stand holder Car Mount Phone Ring Grip for iPhone 7 7s 6s Plus 5s Galaxy S8 S8 Plus ipad etc. smartphones and Tablets, <<https://www.amazon.com/dp/B06XZ2QWMG>>, First reviewed Apr. 28, 2017, Retrieved from IDS of Jun. 25, 2018 U.S. Appl. No. 29/604,114.*
 “Finger Ring Stand, KuGi 360 Degree Rotation Zinc Alloy cell phone stand holder Car Mount Phone Ring Grip for Phone 7 7s 6s Plus 5s Galaxy S8 S8 Plus ipad etc. smartphones and Tablets. (Black)”, <https://www.amazon.com/dp/B06XZ2QWMG>, Earliest review date of Apr. 28, 2017.
 “Phone Ring Holder Attachable to Magnet, Sinjimoru Phone Grip Holder, kickstand Attachable to Ringo’s Belly Button, Magnetic Car Mount or Phone Mount for iPhone and Android Smartphones. RINGO, Black”, <https://www.amazon.com/dp/B01LYS205E>, Earliest review date of Nov. 20, 2016.
 “Benks Magnetic Car Cell Phone Ring/Grip/Stand Phone Holder for iPhone 7/7 Plus/Se/6S/6/6S Plus/6 Plus/Google Pixel/Google Pixel XL/Galaxy S7 and Almost All Cases/Phones (Black)”, <https://www.amazon.com/dp/B01NA8UMNH>, Earliest review date of Dec. 19, 2017.
 “Cell Phone Ring Holder, Tronfy Universal Stylish 360° Adjustable Finger Ring Stand Grip Kickstand Car Mount for iPhone iPad Samsung Galaxy Note HTC LG Mi—Alarm Clock Silver”, <https://www.amazon.com/dp/B072FRLV62>, Earliest review date of Jun. 5, 2017.

“Elago Ring Holder Stand [Dark Grey]—[360° Rotation][Kickstand] [Aluminum body][Extra stickers included]— for All Smart Phones”, <https://www.amazon.com/dp/B06XK8QCZ5>, Earliest review date of Apr. 18, 2017.

“Finger Ring Stand, mobile cell phone stand holder Car Mount Phone Ring Grip 360° Universal Grip Finger Ring Holde Zinc Alloy (Rose Gold)”, <https://www.amazon.com/dp/B06XBTXFTY>, Earliest review date of Nov. 14, 2017.

“Icheckey Smart Phone Ring Holder Mirror Series Stylish 360° Adjustable Ring Stand Grip Mount Kickstand for Phone 7/7 Plus, Galaxy S8/S8 Plus and Almost All Cases/Phones—Bowknot Rose Gold”, <https://www.amazon.com/dp/B06XW7YD4H>, Earliest review date of May 20, 2017.

“iQbe Smart Phone Ring Holder Mirror Series Stylish 360° Adjustable Ring Stand Grip Mount Kickstand for iPhone 7/7 Plus, Galaxy S8/S8 Plus and Almost All Cases/Phones—Demon Black”, <https://www.amazon.com/dp/B071WF6F2T>, Earliest review date of Jul. 26, 2017.

“Mobile Phone Magnetic Holder, 2 in 1, Finger Ring Grip, Magnet Car Dash Mount Stand for Iphone 5 6 7 Plus, Samsung Galaxy S5 S6 S7 S8 Edge Note Nexus HTC Nokia LG Lenovo and All Cell Phones (Silver)”, <https://www.amazon.com/dp/B01N6PVL3B>, Earliest review date of Dec. 17, 2016.

“iRing Universal Masstige Ring Grip/Stand Holder for any Smart Device—Black”, http://www.amazon.com/iRing-Universal-Masstige-Holder-Device/dp/B00DUN9B9U/ref=cm_cr_arp_d_product_top?ie=UTF8, Earliest review date of Oct. 10, 2013.

“Spigen Style Ring Phone Grip Car Mount/Stand/Holder/Kickstand for iPhone 7/7 Plus/Se/6S16/6S Plus/6 Plus/Google Pixel XL/Galaxy S8 / S8 plus / S7 / S7 edge and Almost All Cases/Phones—Black”, https://www.amazon.com/Spigen-Holder-Kickstand-iPhone-Google/dp/B0193VF09W/ref=cm_cr_arp_d_product_top?ie=UTF8, Earliest review date of Oct. 23, 2015.

* cited by examiner

Primary Examiner — Cathron C Brooks

Assistant Examiner — Sharon S Oum

(74) Attorney, Agent, or Firm — Heedong Chae; Lucem, PC

(57) CLAIM

The ornamental design for a stand for electronic device, as shown and described.

DESCRIPTION

FIG. 1 is a front perspective view of a stand for electronic device showing my new design;
 FIG. 2 is a rear perspective view thereof;
 FIG. 3 is a front elevational view thereof;
 FIG. 4 is a rear elevational view thereof;
 FIG. 5 is a left side elevational view thereof;
 FIG. 6 is a right side elevational view thereof;
 FIG. 7 is a top plan view thereof;
 FIG. 8 is a bottom plan view thereof;
 FIG. 9 is a front perspective view thereof shown in a first position of use;
 FIG. 10 is a rear perspective view thereof;
 FIG. 11 is a front elevational view thereof;
 FIG. 12 is a rear elevational view thereof;
 FIG. 13 is a left side elevational view thereof;
 FIG. 14 is a right side elevational view thereof;
 FIG. 15 is a perspective view thereof shown in a second position of use;
 FIG. 16 is still another perspective view of FIG. 14;
 FIG. 17 is a view identical to FIG. 9, and shown in the environment of an electronic device; and,

FIG. **18** is a view identical to FIG. **1**, and shown in the environment of an electronic device.

The dash-dash broken lines throughout the drawing figures depict environmental subject matter and portions of the stand for electronic device that form no part of the claimed design.

The dash-dot broken lines in the drawings depict boundary lines and form no part of the claimed design.

1 Claim, 18 Drawing Sheets

FIG. 1

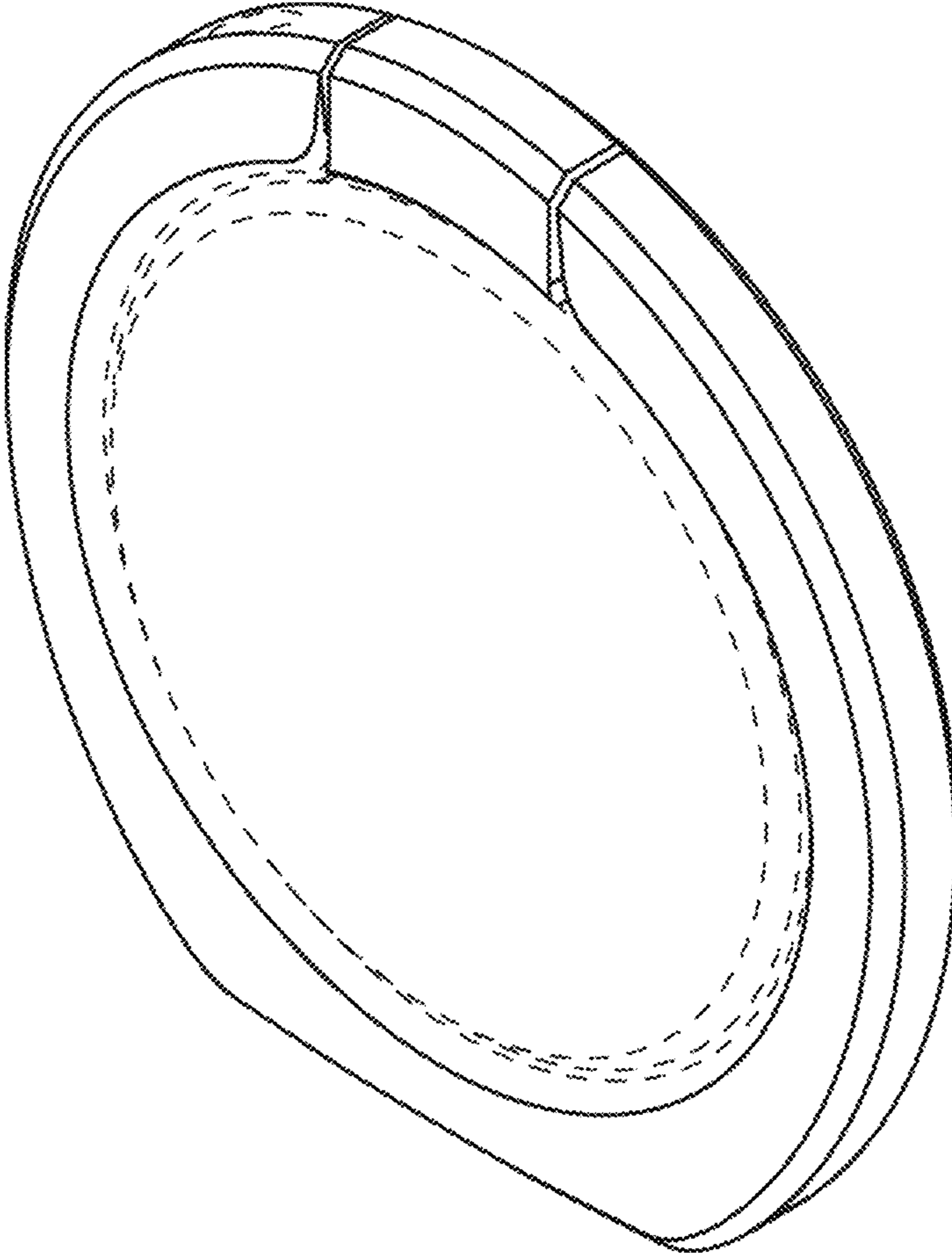


FIG. 2

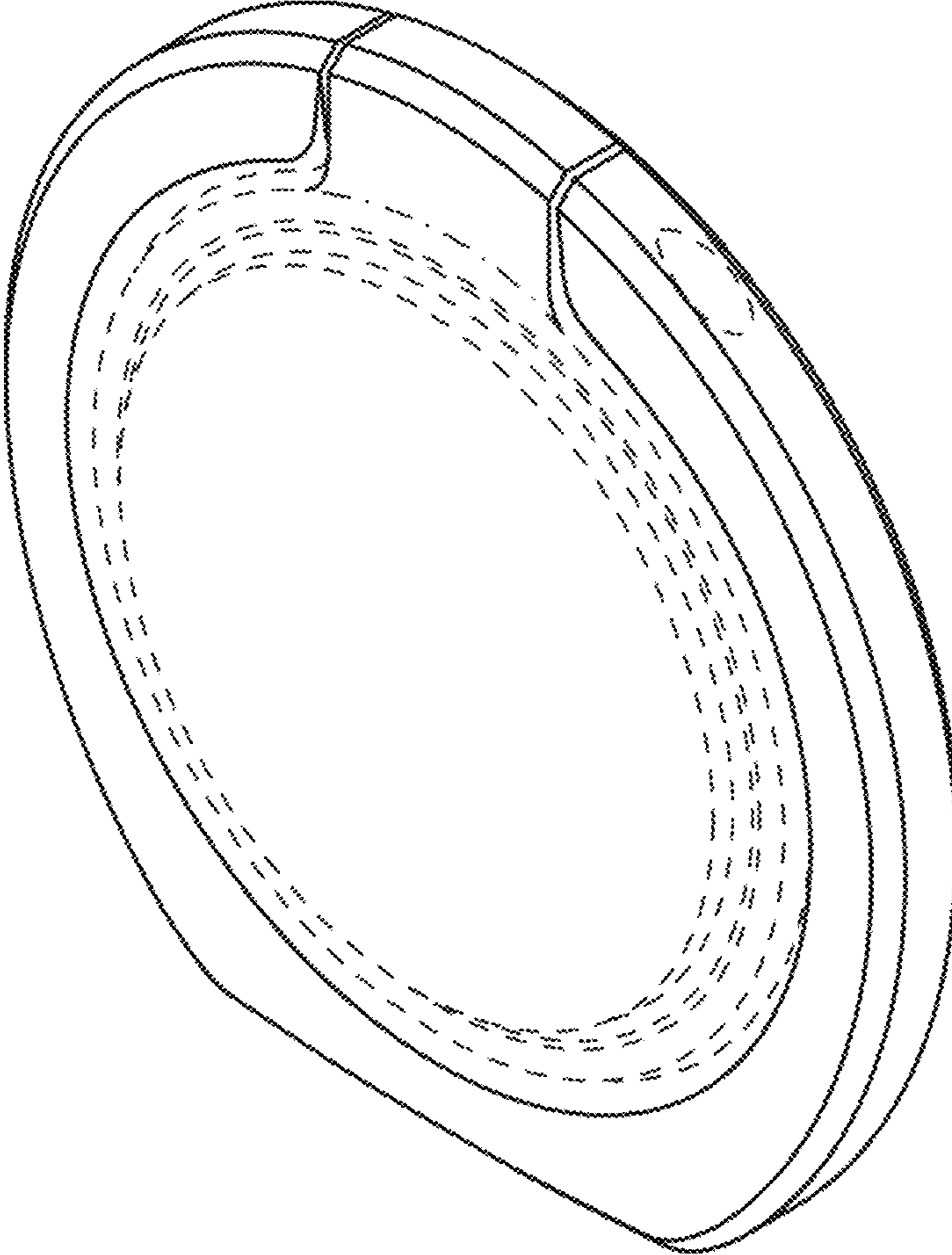


FIG. 3

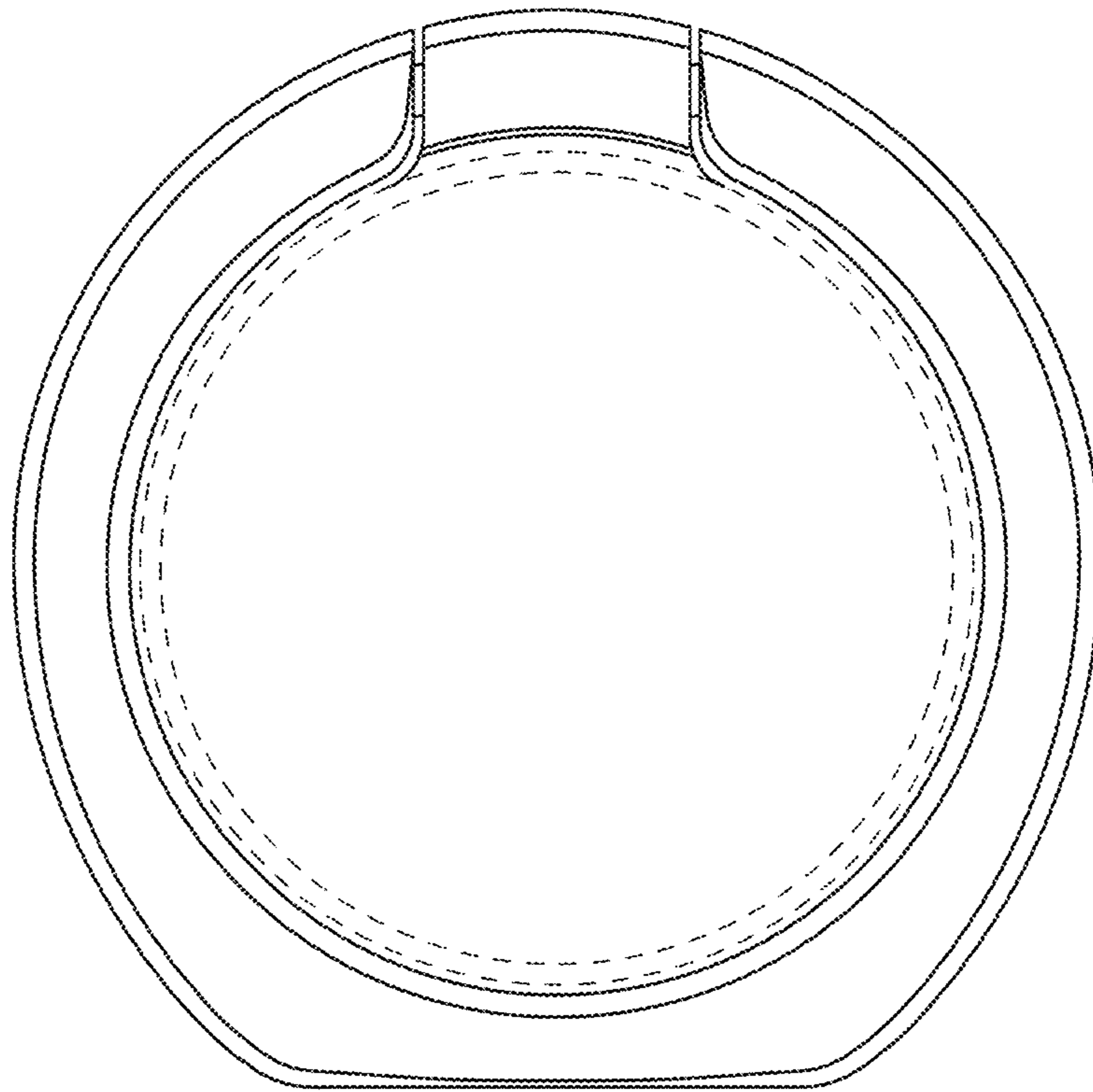


FIG. 4

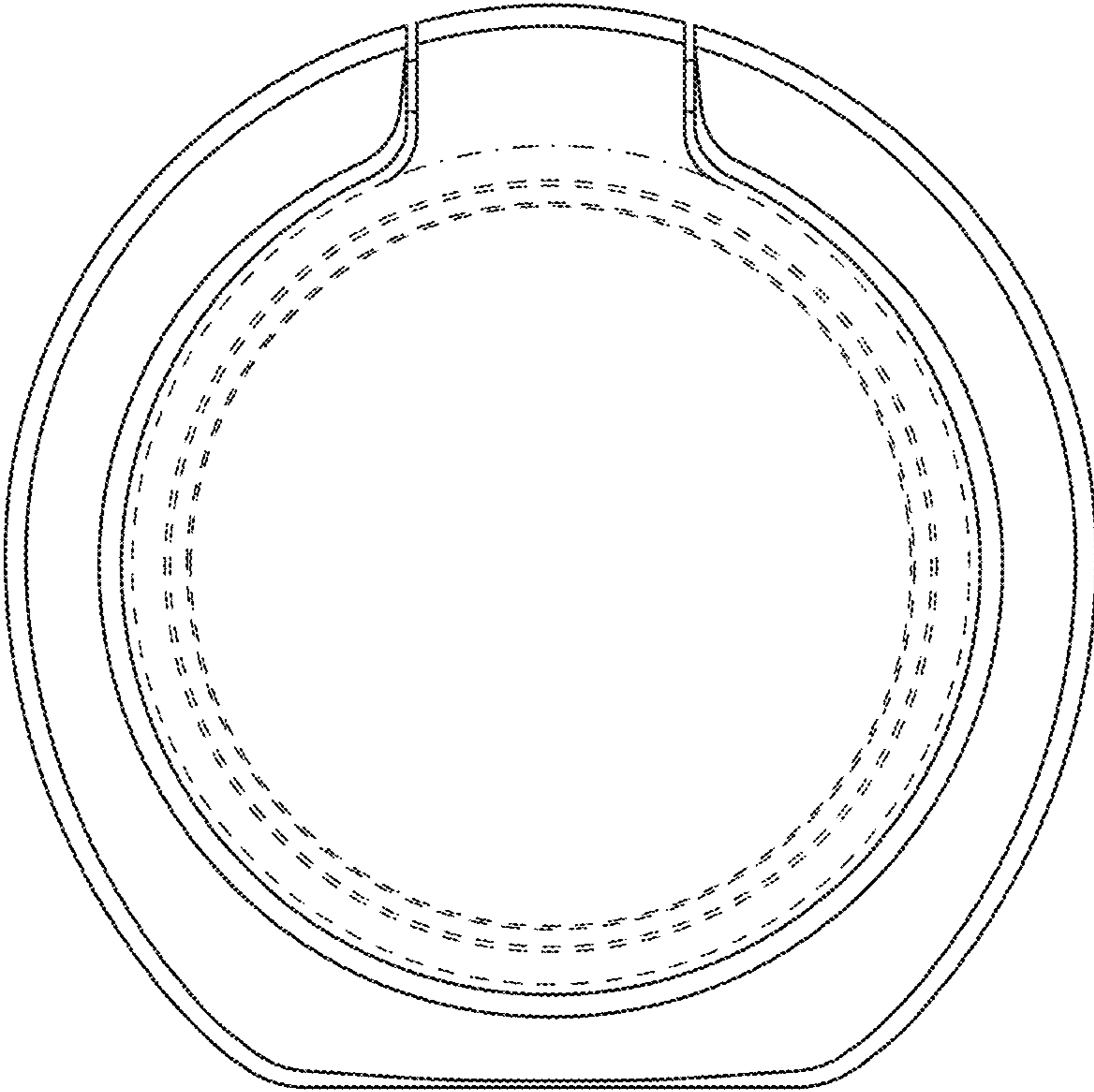


FIG. 5

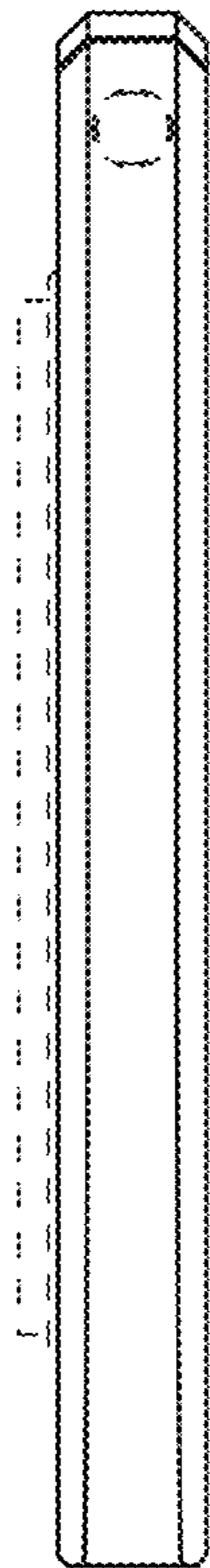


FIG. 6

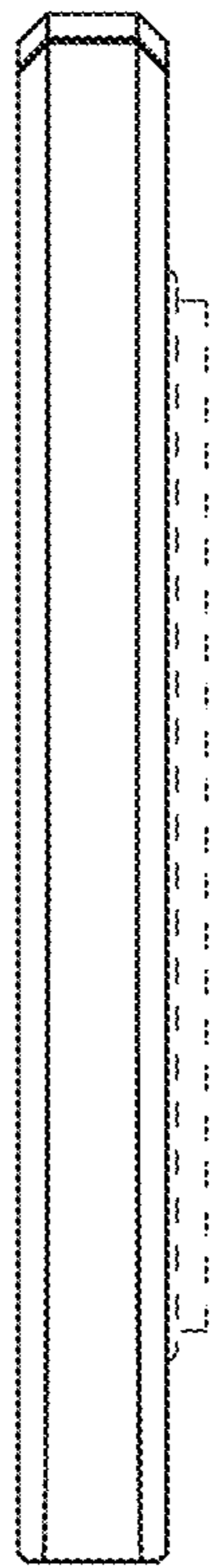


FIG. 7

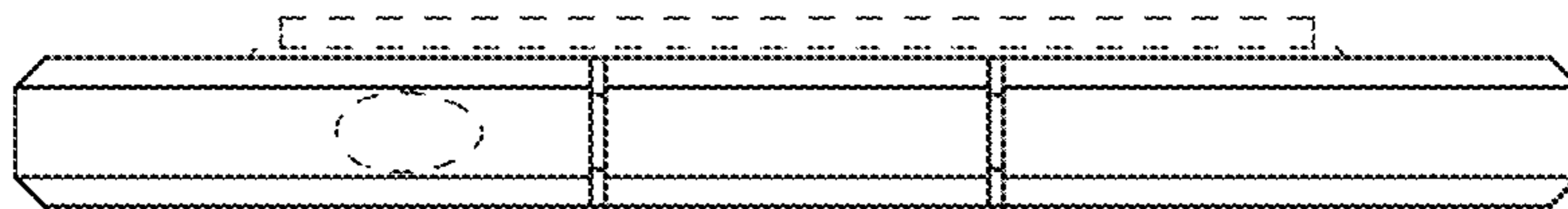


FIG. 8

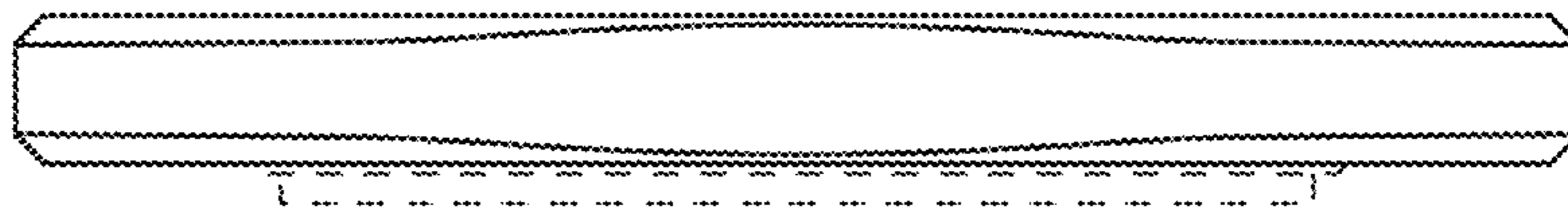


FIG. 9

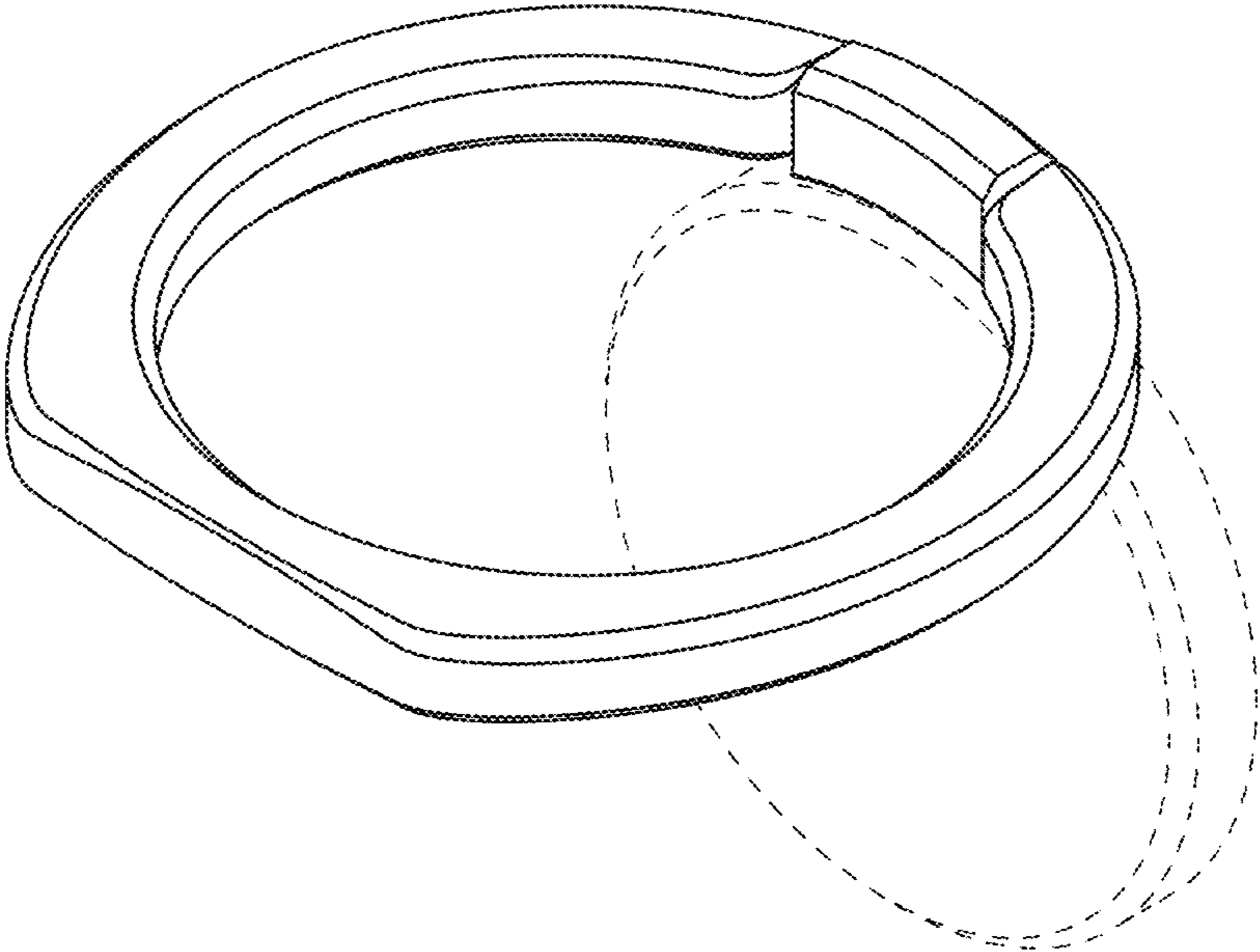


FIG. 10

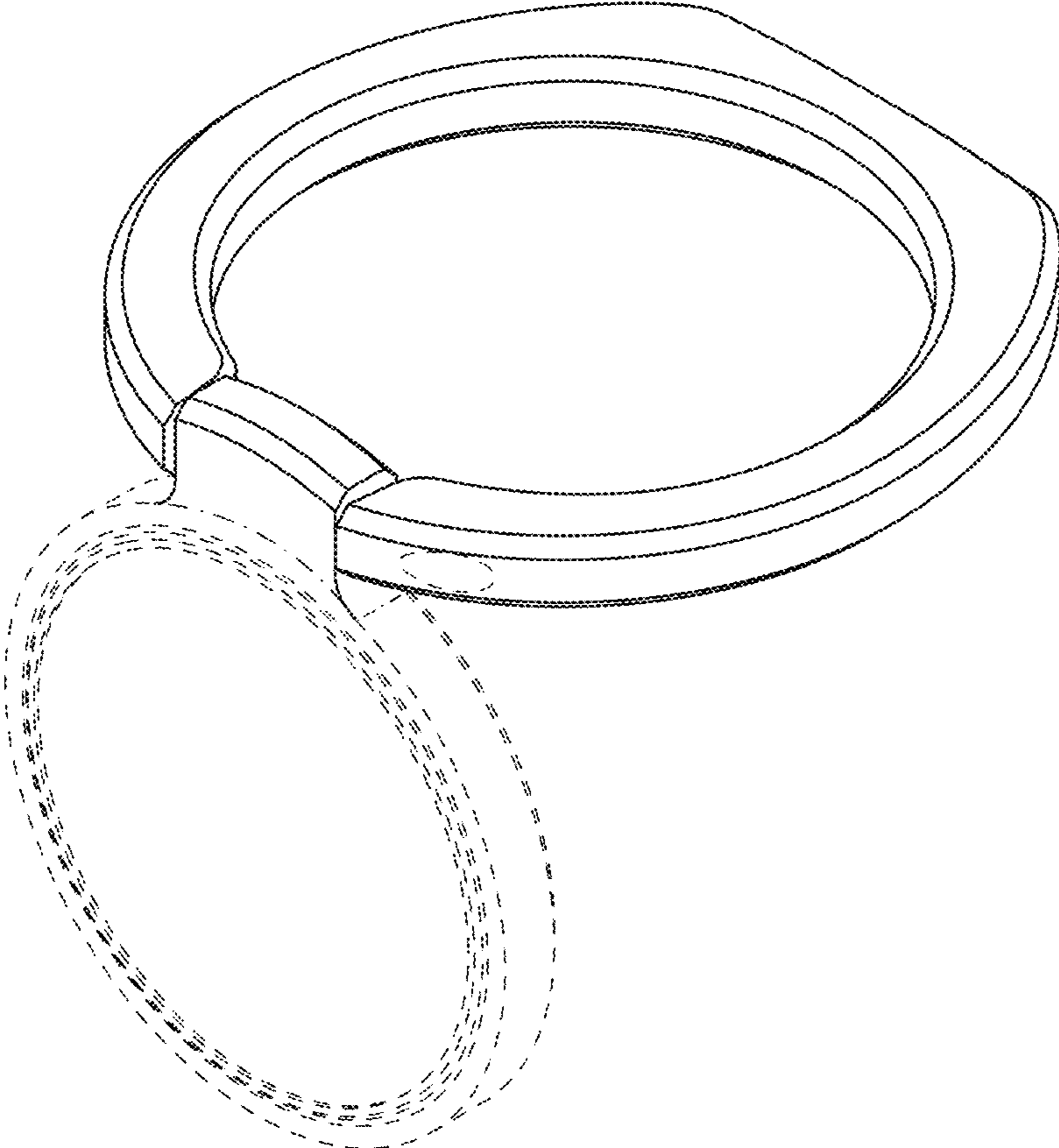


FIG. 11

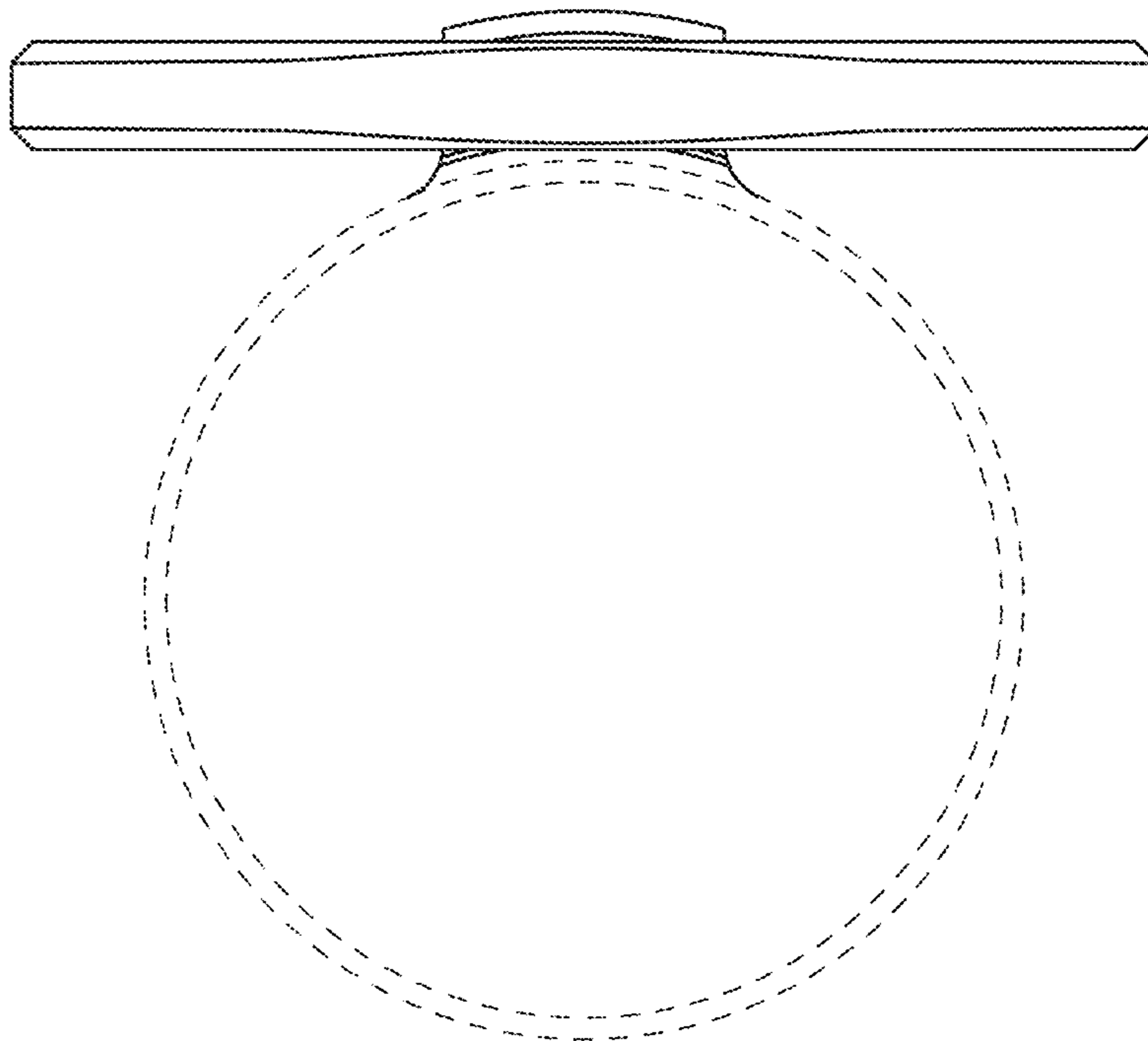


FIG. 12

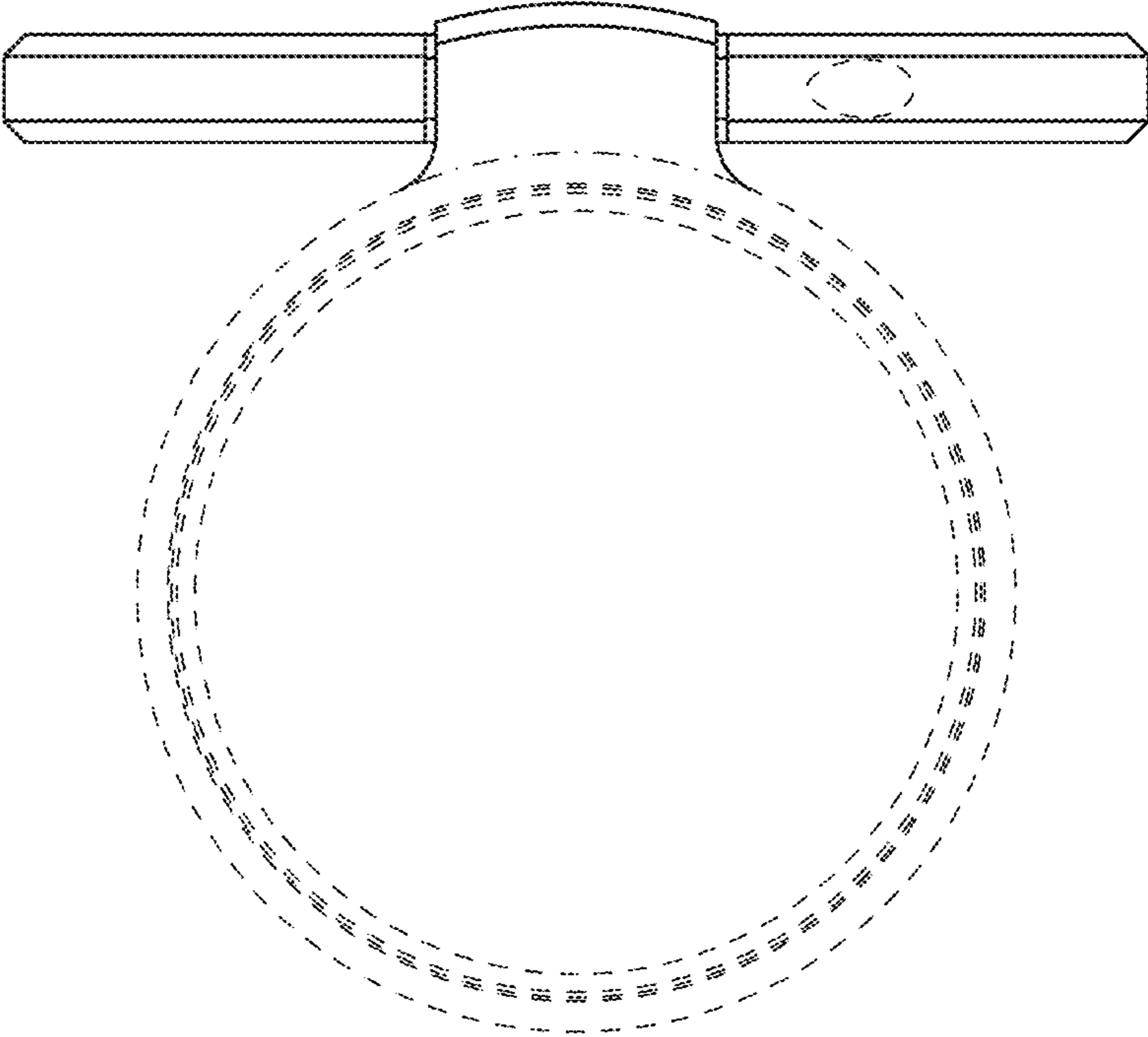


FIG. 13

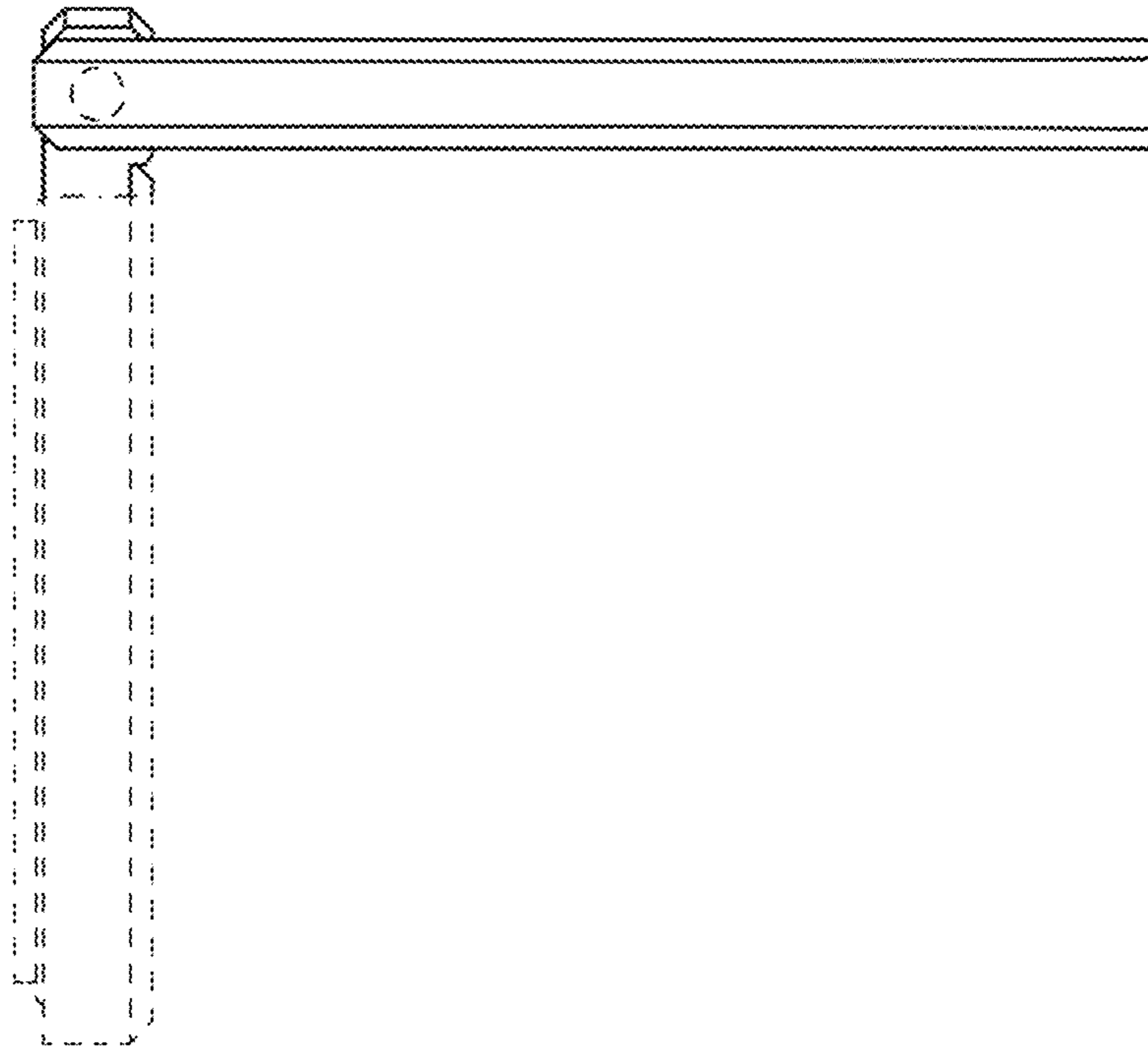


FIG. 14

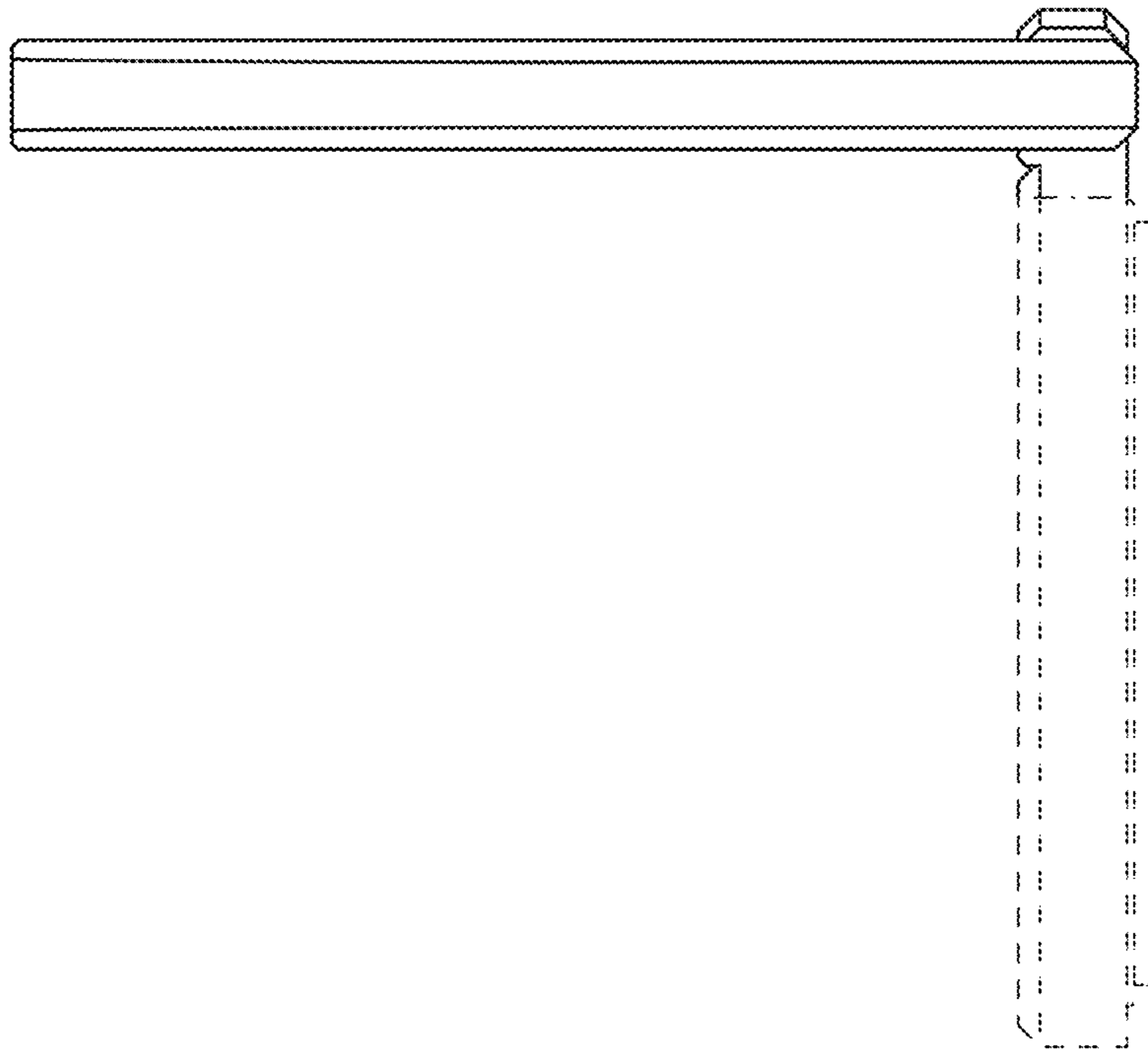


FIG. 15

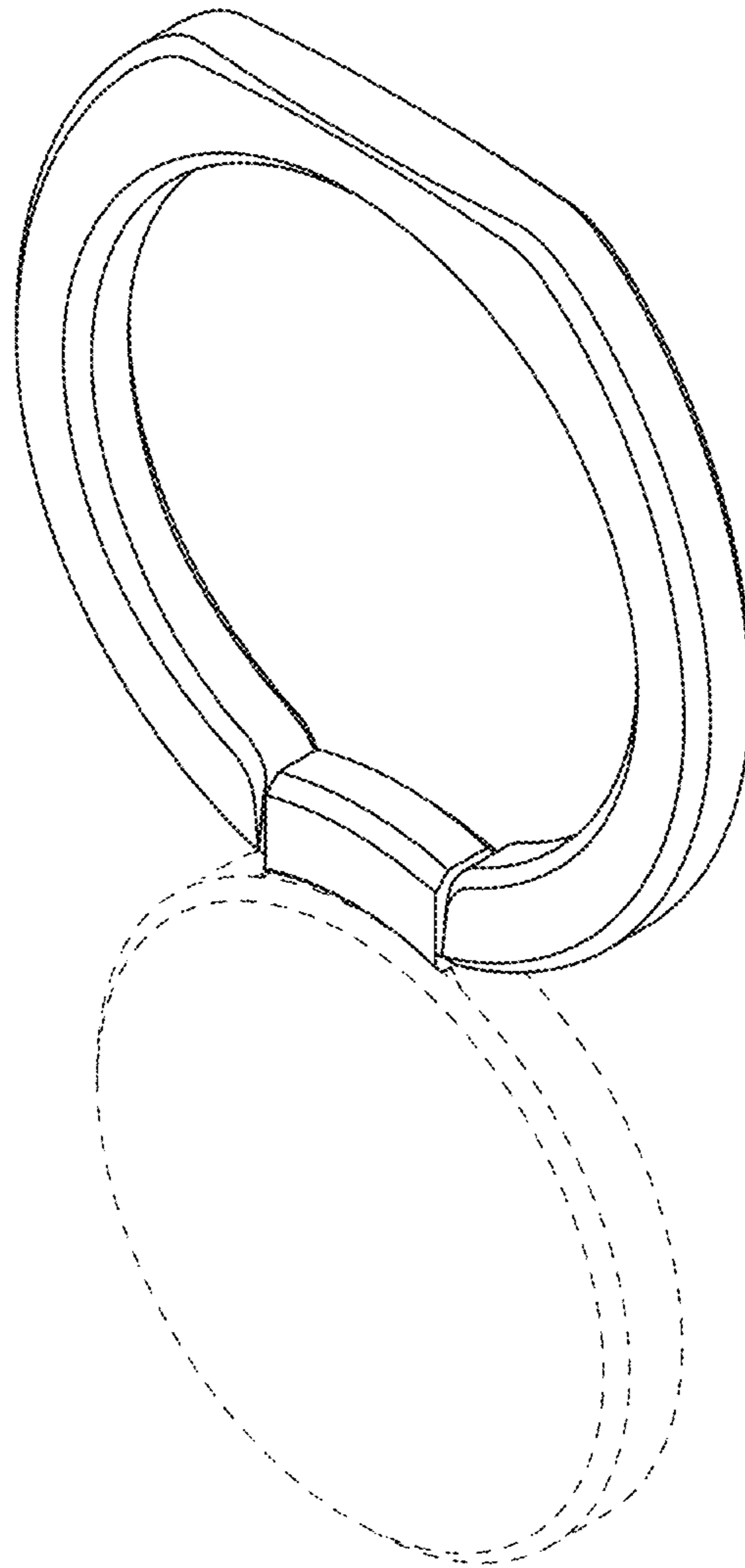


FIG. 16

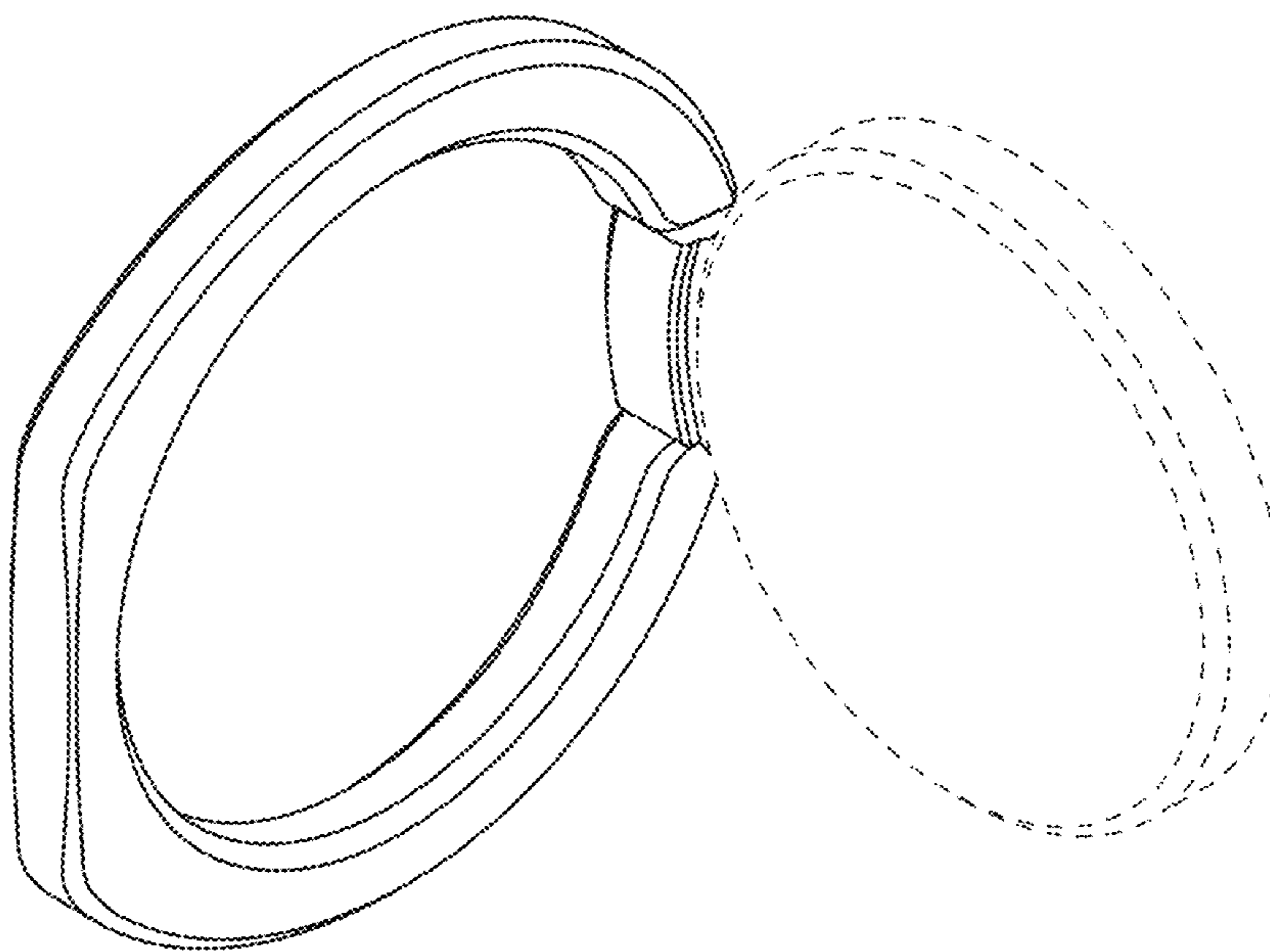


FIG. 17

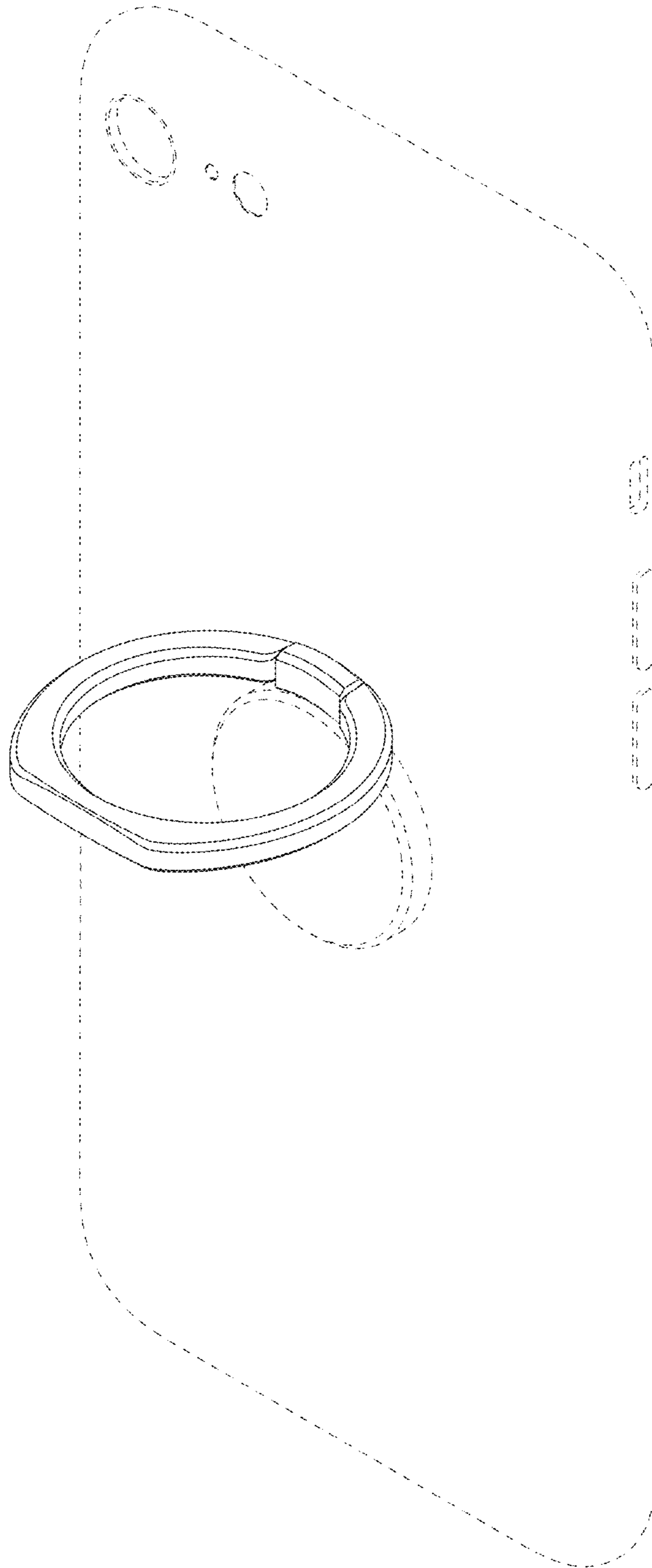


FIG. 18

