



US00D906325S

(12) **United States Design Patent** (10) **Patent No.:** **US D906,325 S**
Zhao (45) **Date of Patent:** **** Dec. 29, 2020**

(54) **PHONE COVER**

(71) Applicant: **Jing Zhao**, Shenzhen (CN)

(72) Inventor: **Jing Zhao**, Shenzhen (CN)

(**) Term: **15 Years**

(21) Appl. No.: **29/720,810**

(22) Filed: **Jan. 16, 2020**

(51) **LOC (12) Cl.** **14-03**

(52) **U.S. Cl.**
USPC **D14/250**

(58) **Field of Classification Search**
USPC D14/440, 203.3–203.7, 439, 238.1,
D14/251–253, 447, 217, 240, 248, 250;
D3/201, 218, 247, 269, 273, 301, 303,
D3/249; D13/103, 119, 107–108
CPC H04B 1/3888; H04M 1/0283; H04M
1/0202; A45C 1/06; A45C 11/00; A45C
13/02; A45C 2011/002; A45F 2005/026;
A45F 2200/0525; A45F 2200/0516
See application file for complete search history.

(56) **References Cited**

U.S. PATENT DOCUMENTS

D615,078 S *	5/2010	Bradley	D14/250
D624,064 S *	9/2010	Esposito	D14/250
D631,246 S *	1/2011	Boettner	D3/203.2
D651,791 S *	1/2012	Cataldo	D3/218
D653,656 S *	2/2012	Charnas	D14/250
D688,655 S *	8/2013	Rey-Hipolito	D14/250
D721,689 S *	1/2015	Altschul	H04B 1/3888 D14/250
D723,532 S *	3/2015	Stevinson	D14/250
D759,966 S *	6/2016	Pignotti	D3/247
D776,101 S *	1/2017	Poon	D14/250
D776,646 S *	1/2017	Deng	D14/250
D789,343 S *	6/2017	Hawes	D14/250
D793,379 S *	8/2017	Zhang	D14/250
D794,007 S *	8/2017	Zhang	D14/250

D808,945 S	1/2018	Yeo et al.	
D809,497 S	2/2018	Kim et al.	
D810,067 S	2/2018	Lee et al.	
D827,629 S *	9/2018	Yu D14/250
D829,202 S *	9/2018	Ma D14/250
D830,354 S *	10/2018	Deng D14/250
D830,356 S *	10/2018	Deng D14/250
D835,087 S *	12/2018	Wilder D14/250
D869,453 S *	12/2019	Wilder D14/250
D871,759 S *	1/2020	Ma D3/249
2014/0083876 A1 *	3/2014	Lin A45C 11/00 206/37
2014/0216976 A1 *	8/2014	Conarro A45F 5/021 206/525
2019/0269212 A1 *	9/2019	Swart A45C 13/005

* cited by examiner

Primary Examiner — Carla J Wright

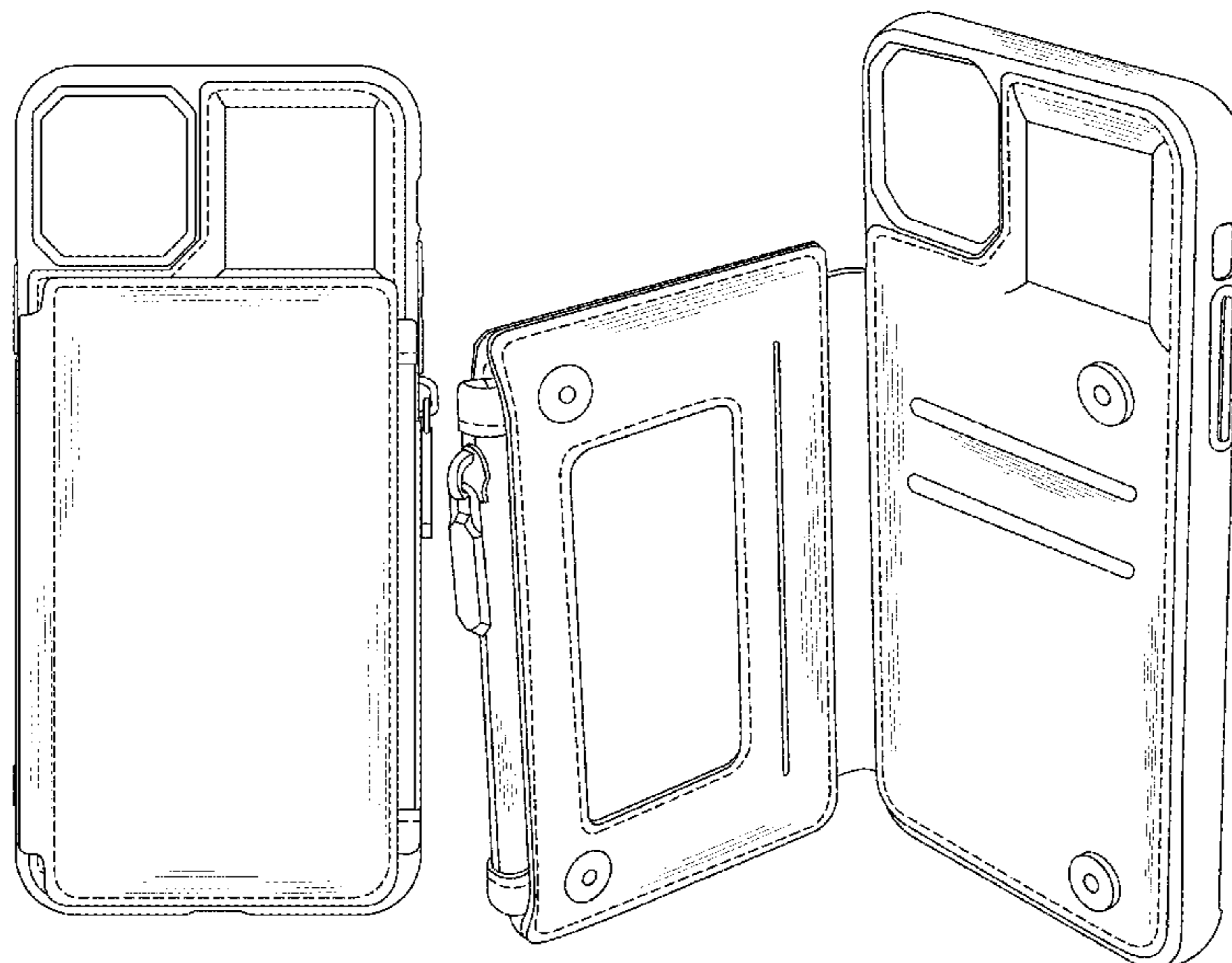
(57) **CLAIM**

The ornamental design for a phone cover, as shown and described.

DESCRIPTION

FIG. 1 is a front elevational view of a phone cover showing my new design;
FIG. 2 is a rear elevational view thereof;
FIG. 3 is a top plan view thereof;
FIG. 4 is a bottom plan view thereof;
FIG. 5 is a left side elevational view thereof;
FIG. 6 is a right side elevational view thereof;
FIG. 7 is a perspective view thereof;
FIG. 8 is a perspective view of the phone cover where the phone cover is in a first open state; and,
FIG. 9 is a rear elevational view of the phone cover where the phone cover is in a second open state.
The broken lines in the drawings depict stitching, which is part of the claimed design. Except for the interior edge of the camera opening, the interior of the case shown in FIG. 1 forms no part of the claimed design.

1 Claim, 9 Drawing Sheets



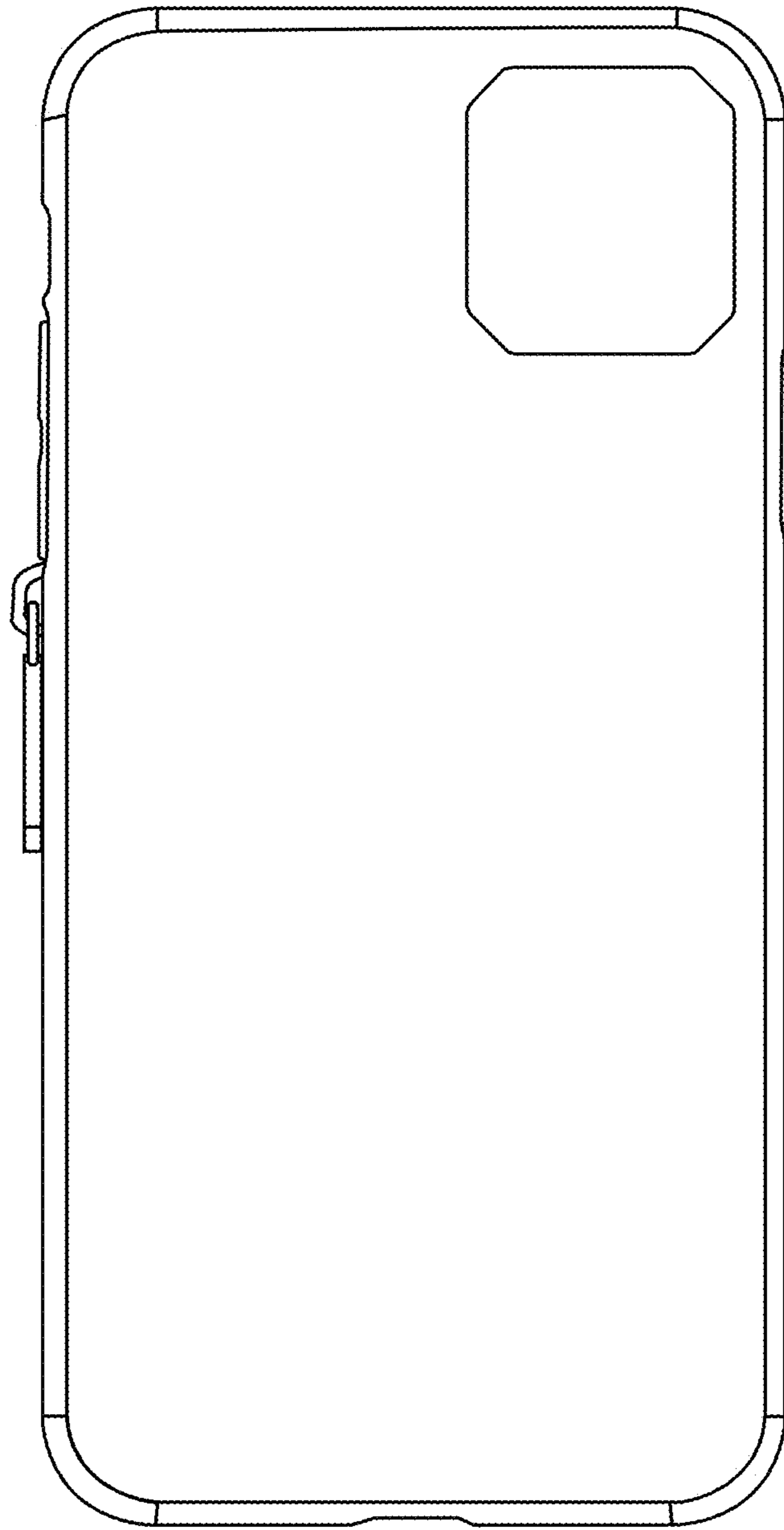


FIG. 1

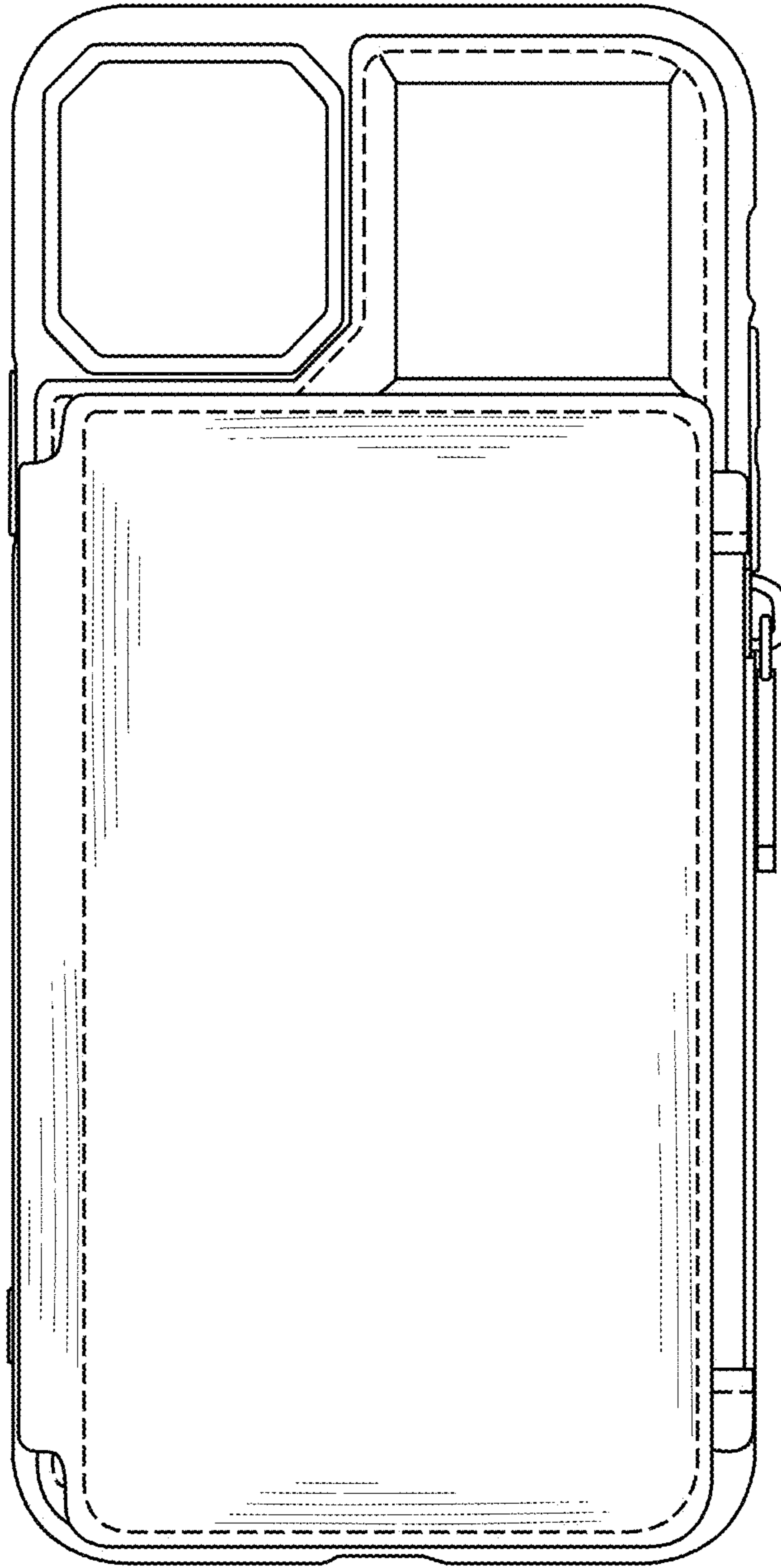


FIG. 2

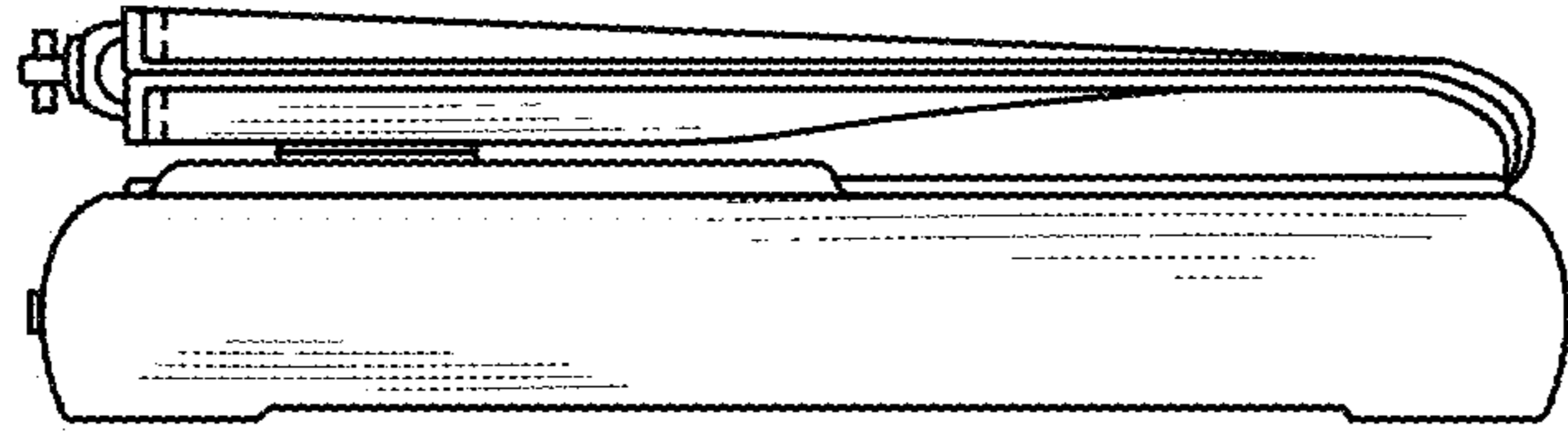


FIG. 3

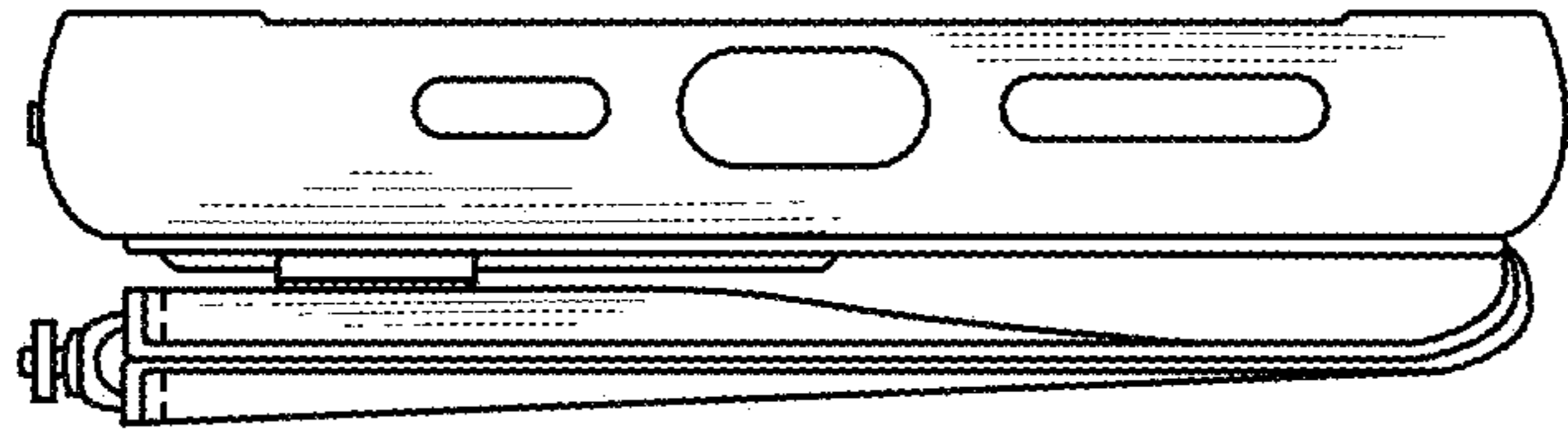


FIG. 4

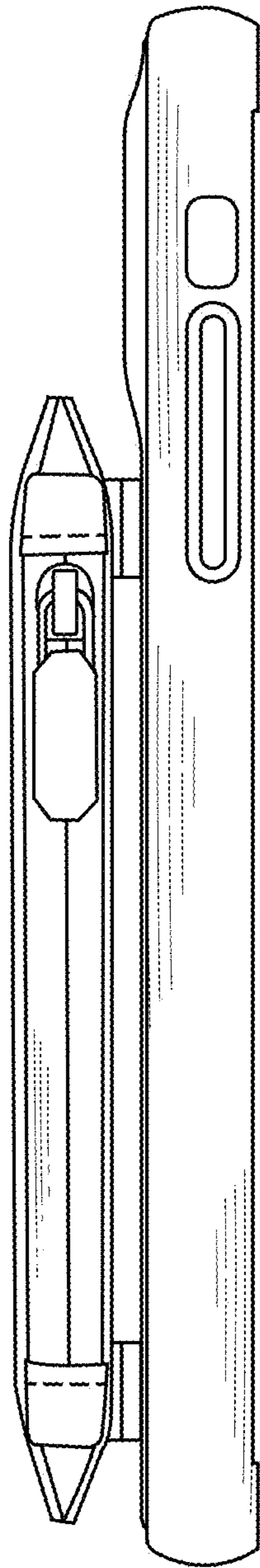


FIG. 5

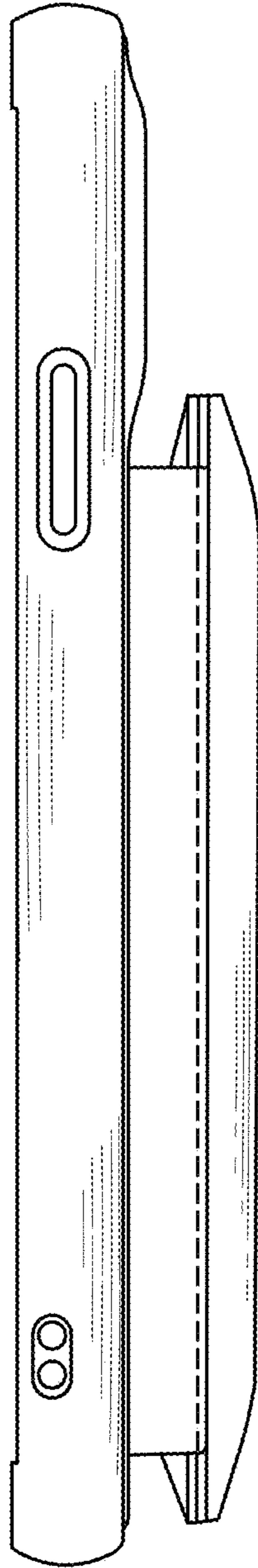


FIG. 6

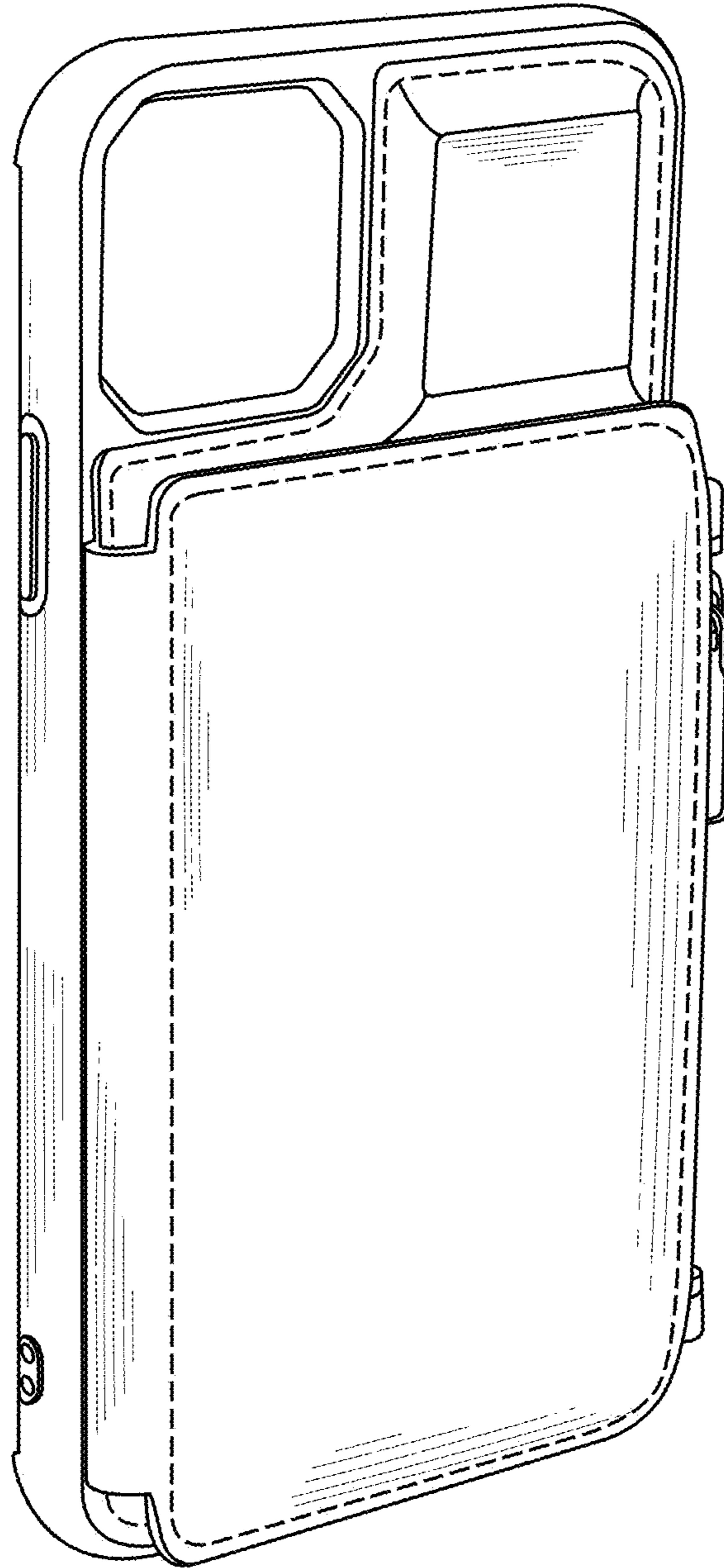


FIG. 7

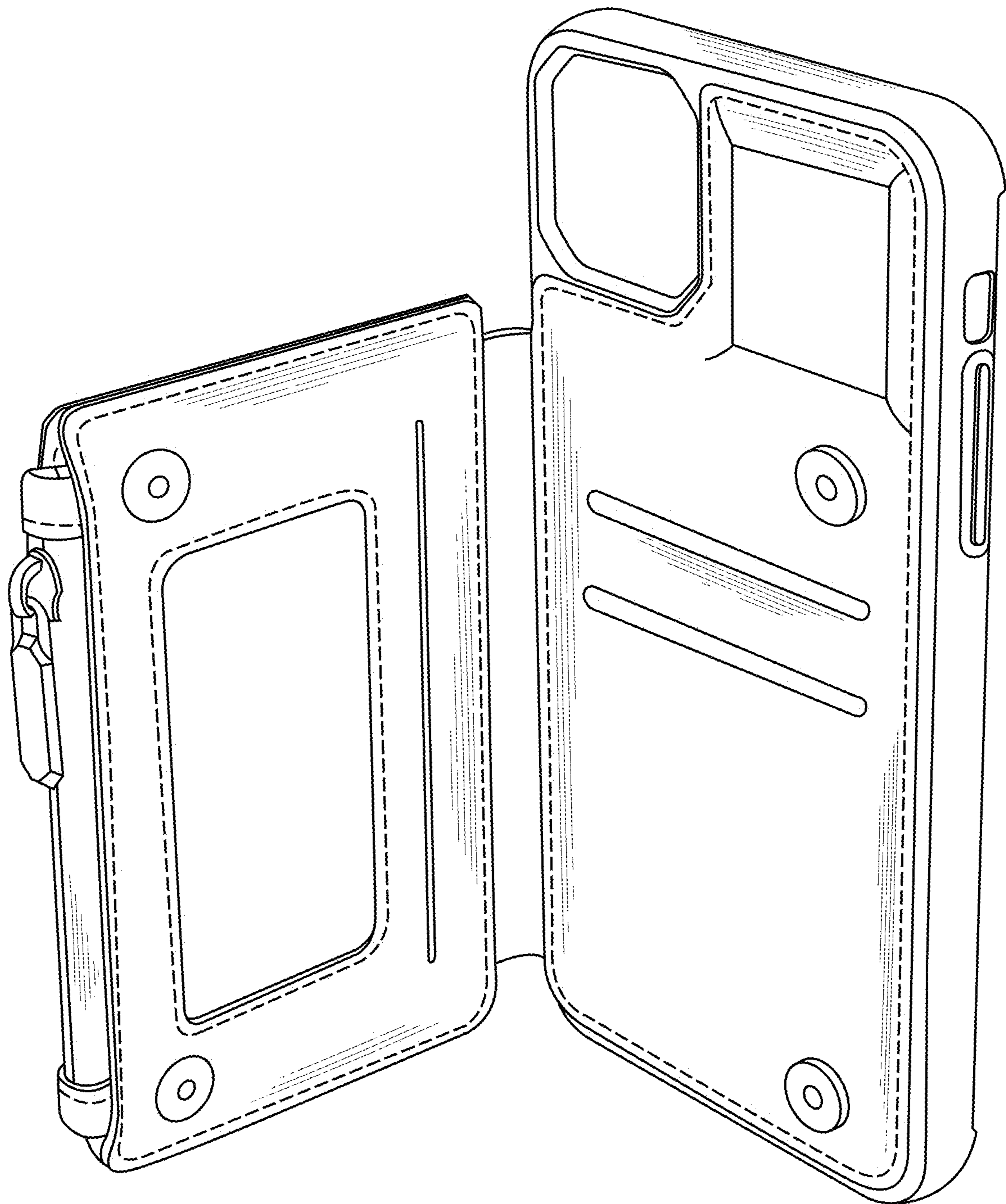


FIG. 8

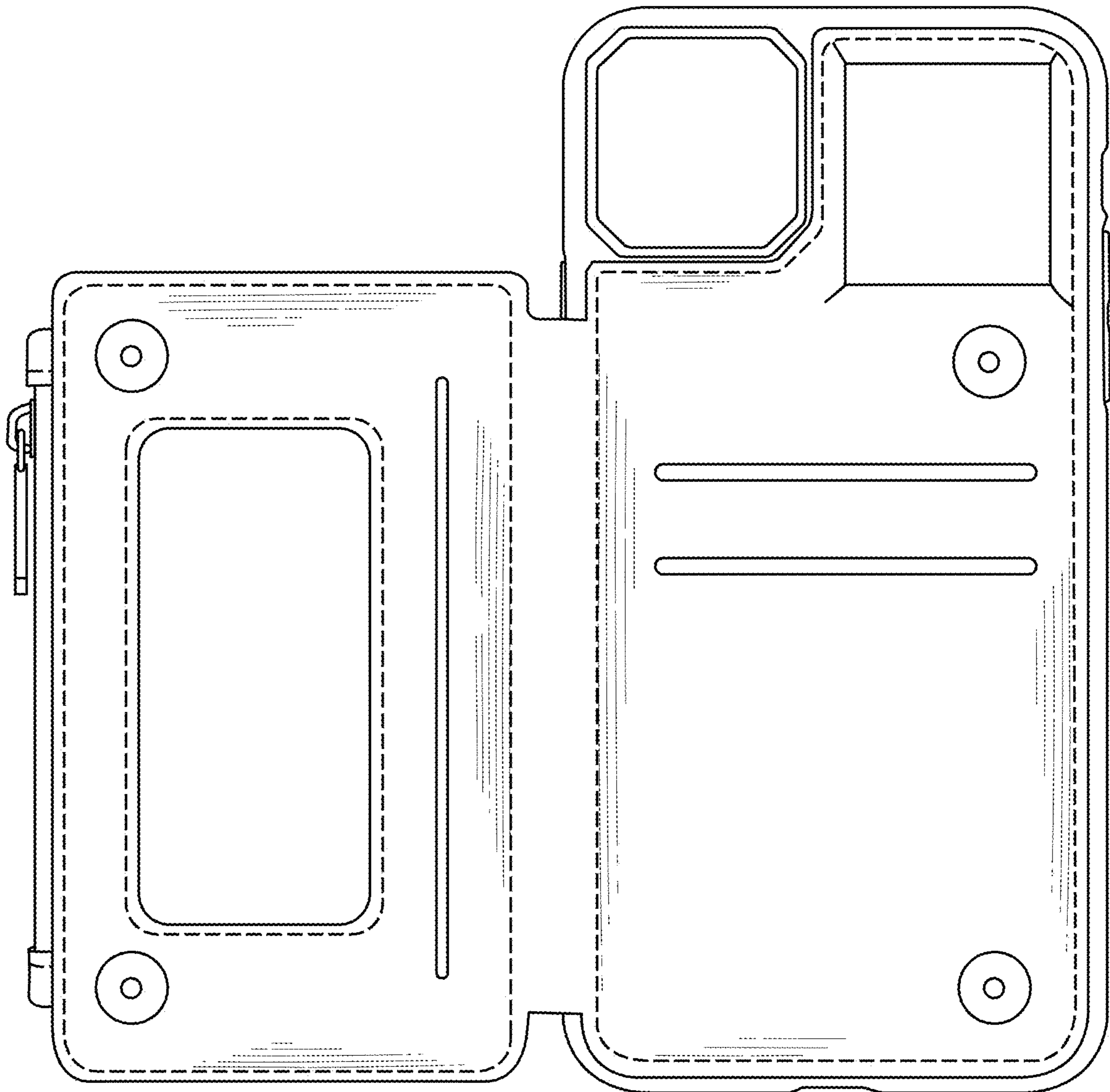


FIG. 9