



US00D906321S

(12) **United States Design Patent**
Feng

(10) **Patent No.:** **US D906,321 S**

(45) **Date of Patent:** **** Dec. 29, 2020**

(54) **PHONE CASE**

(71) Applicant: **GUANGZHOU WENYI COMMUNICATION EQUIPMENT CO., LTD**, Guangzhou (CN)

(72) Inventor: **YouRu Feng**, Guangzhou (CN)

(73) Assignee: **GUANGZHOU WENYI COMMUNICATION EQUIPMENT CO., LTD**, Guangzhou (CN)

(**) Term: **15 Years**

(21) Appl. No.: **29/704,119**

(22) Filed: **Sep. 2, 2019**

(51) **LOC (12) Cl.** **14-03**

(52) **U.S. Cl.**
USPC **D14/250; D3/249**

(58) **Field of Classification Search**
USPC D14/217, 238.1, 240, 248, 250, 251–253, D14/439, 440, 447; D13/107–108, 103, D13/119; D3/201, 218, 247, 269, 273, D3/301, 303, 249
CPC H04B 1/3888; H04M 1/0283; H04M 1/0202; A45C 1/06; A45C 11/00; A45C 13/02; A45C 2011/002; A45F 2005/026; A45F 2200/0525; A45F 2200/0516
See application file for complete search history.

(56) **References Cited**

U.S. PATENT DOCUMENTS

- D729,522 S * 5/2015 Kim D3/303
- D762,615 S * 8/2016 Kim D14/203.4
- D767,888 S * 10/2016 Kim D3/249
- D793,082 S * 8/2017 Zhang D3/249
- D794,952 S * 8/2017 Feng D3/247
- D806,378 S * 1/2018 Lerenthal D3/201
- D817,962 S * 5/2018 Shao D14/440
- D822,989 S * 7/2018 Persson D3/249

(Continued)

OTHER PUBLICATIONS

“icarercase iPhone 11 Wallet Case, Folio Flip Magnetic [. . .]” [online]. icarercase. [Date first available on Sep. 10, 2019]. Retrieved from the Internet: <<https://www.amazon.com/dp/B07XJV6S28>>.*

(Continued)

Primary Examiner — Mojtaba Tehrani

(74) *Attorney, Agent, or Firm* — Wen IP LLC; Zhihua Han

(57) **CLAIM**

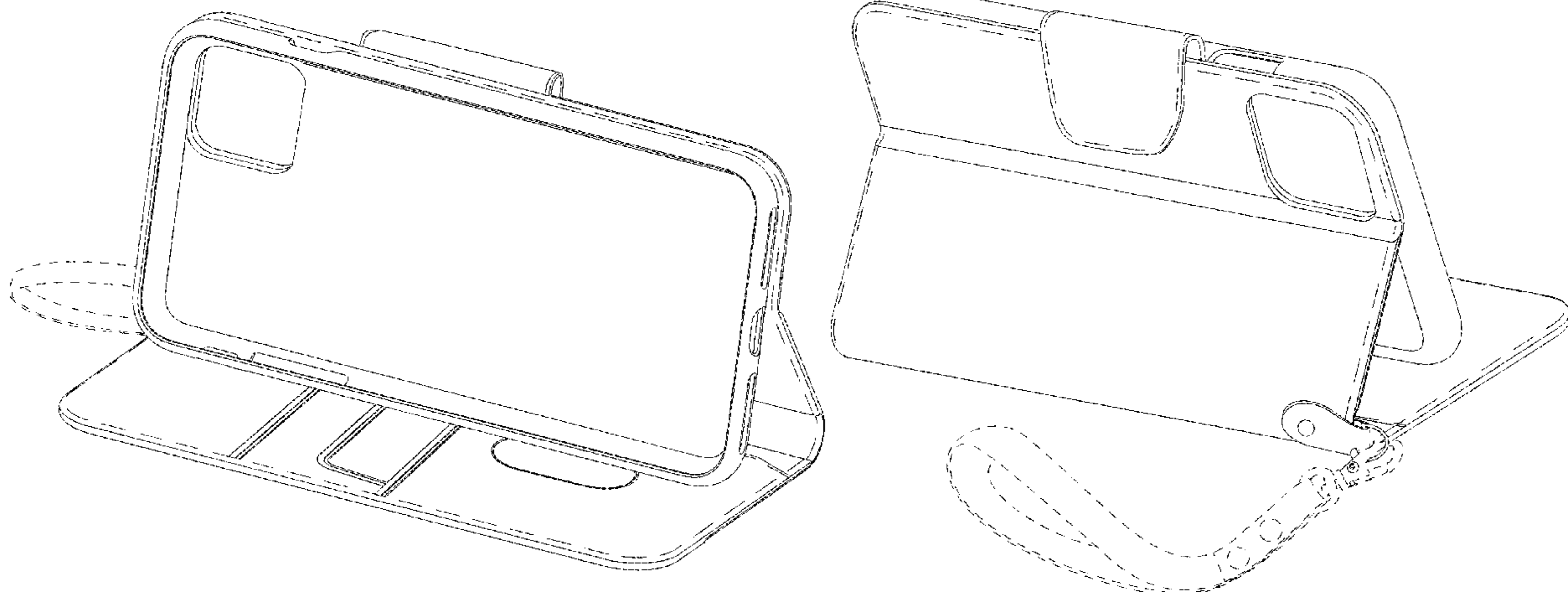
The ornamental design for a phone case, as shown and described.

DESCRIPTION

FIG. 1 is a prospective view of the phone case, at an open position, showing my new design;
 FIG. 2 is another prospective view thereof, at the open position;
 FIG. 3 is a front elevational view thereof, at a closed position;
 FIG. 4 is rear elevational view thereof, at the closed position;
 FIG. 5 is a left side elevational view thereof, at the closed position;
 FIG. 6 is a right side elevational view thereof, at the closed position;
 FIG. 7 is a top plan view thereof, at the closed position;
 FIG. 8 is a bottom plan view thereof, at the closed position;
 FIG. 9 is a front elevational view thereof, at a fully extended position; and,
 FIG. 10 is a rear elevational view thereof, at the fully extended position.

The short dashed broken lines in the drawings depict unclaimed portion of the phone case only and form no part of the claimed design. The long dashed broken lines disclose stitching which forms part of the claimed design.

1 Claim, 10 Drawing Sheets



(56)

References Cited

U.S. PATENT DOCUMENTS

| | | | | |
|--------------|---------|------|-------|---------|
| D842,289 S * | 3/2019 | Feng | | D14/250 |
| D843,992 S * | 3/2019 | Lu | | D14/250 |
| D844,596 S * | 4/2019 | Liu | | D14/250 |
| D856,671 S * | 8/2019 | Li | | D3/249 |
| D866,179 S * | 11/2019 | Zhao | | D3/249 |
| D871,066 S * | 12/2019 | Feng | | D3/249 |
| D872,722 S * | 1/2020 | Zhou | | D14/250 |
| D874,137 S * | 2/2020 | Feng | | D3/249 |
| D891,416 S * | 7/2020 | Yu | | D14/250 |
| D892,107 S * | 8/2020 | Zhao | | D14/250 |

OTHER PUBLICATIONS

“HOOMIL Wallet Case for iPhone 11 6.1 Inch, Premium PU Leather Folio Flip Case [. . .]” [online]. HOOMIL. [Date first available on Aug. 18, 2019]. Retrieved from the Internet: <<https://www.amazon.com/dp/B07WQT4WRY/>>.*

* cited by examiner

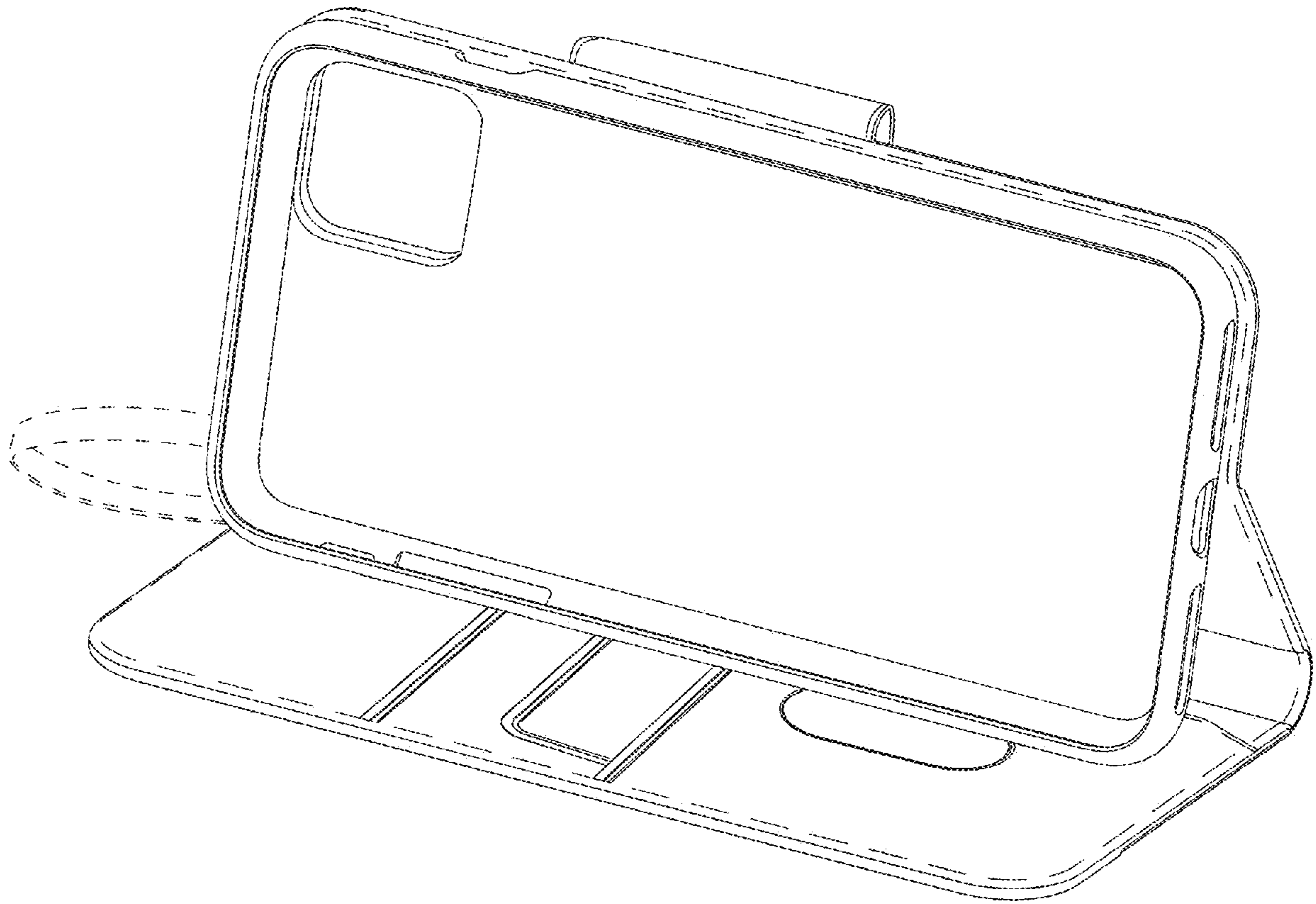


FIG. 1

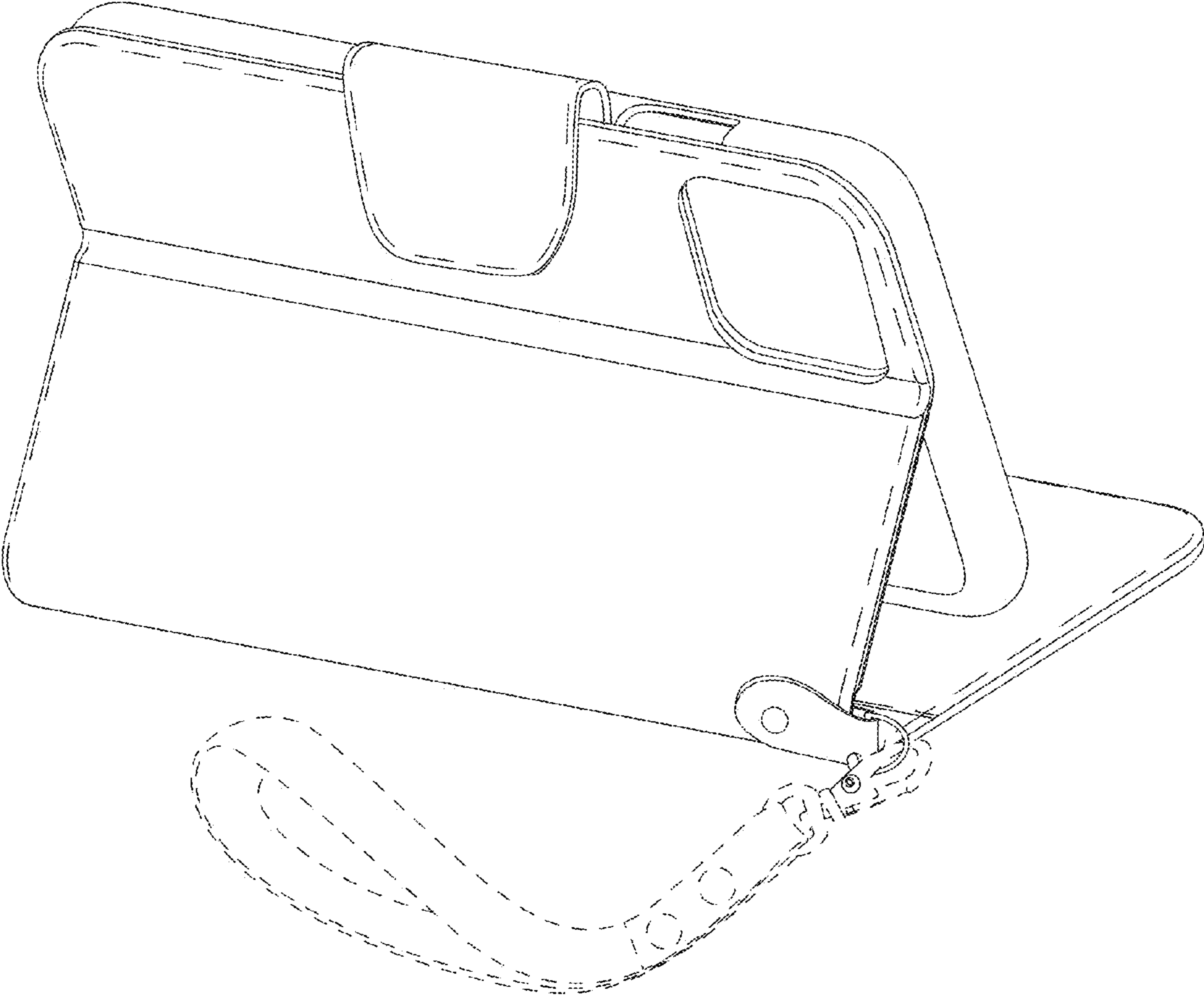


FIG. 2

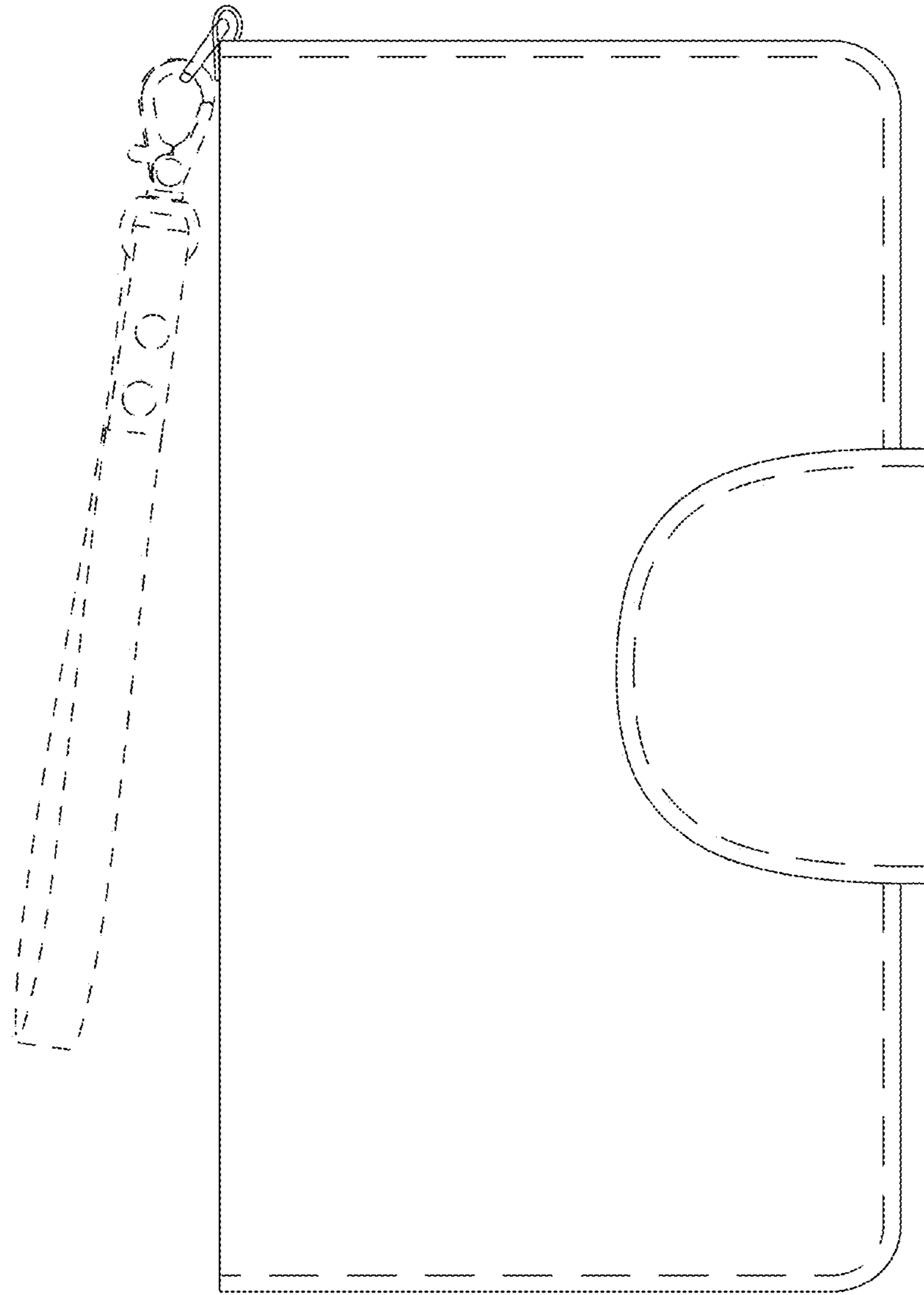


FIG. 3

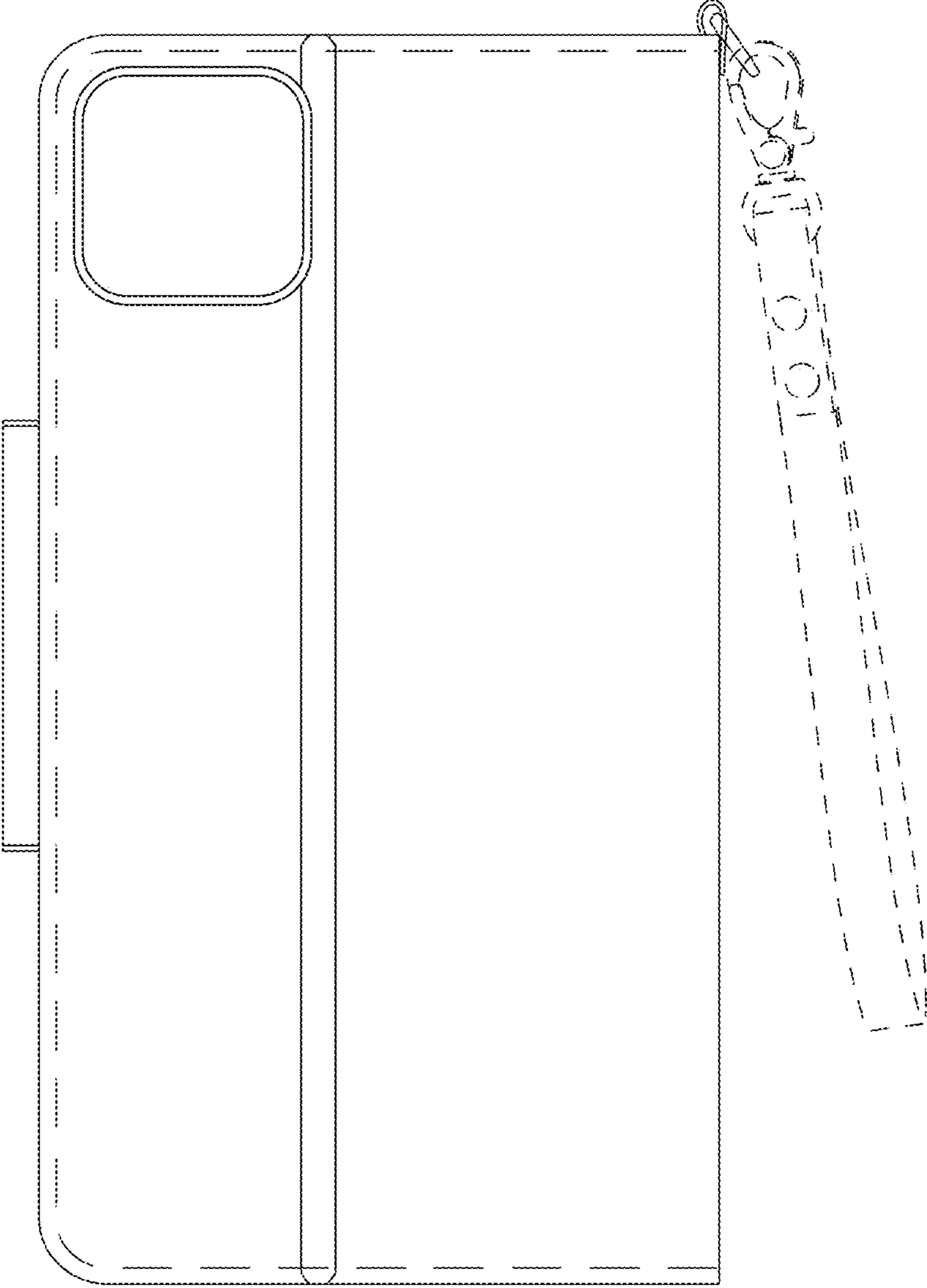


FIG. 4

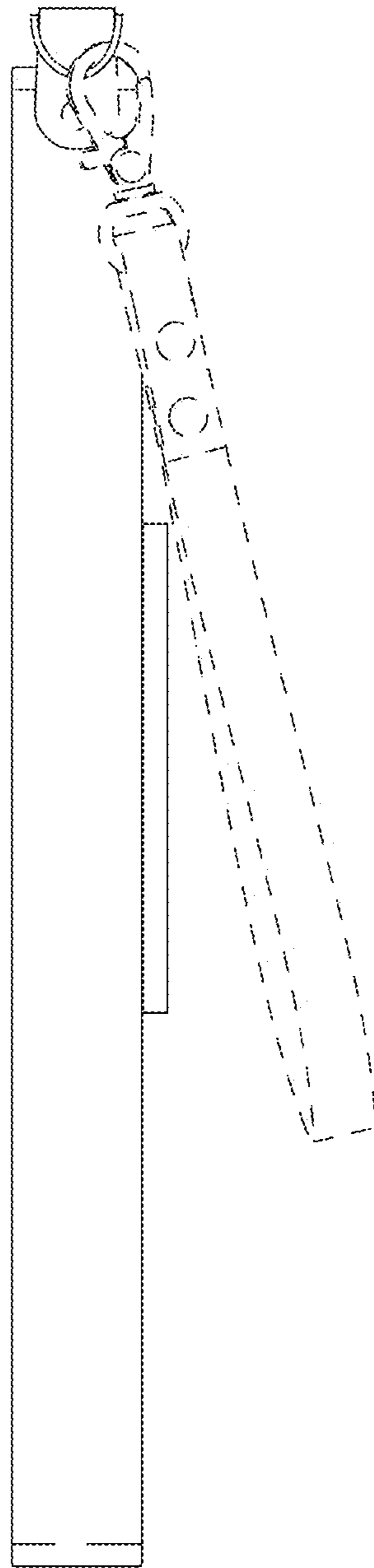


FIG. 5

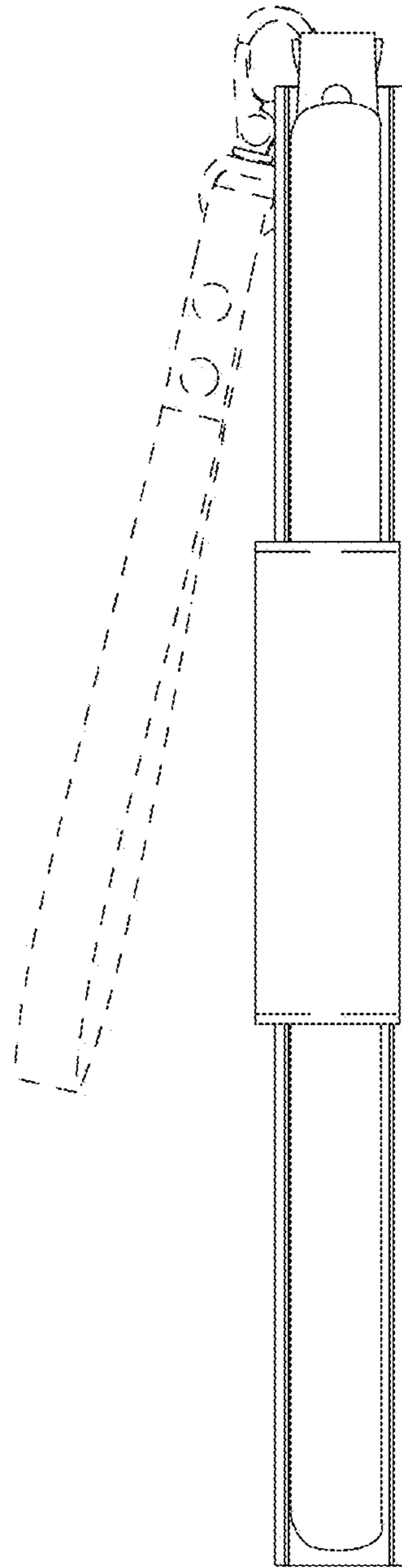


FIG. 6

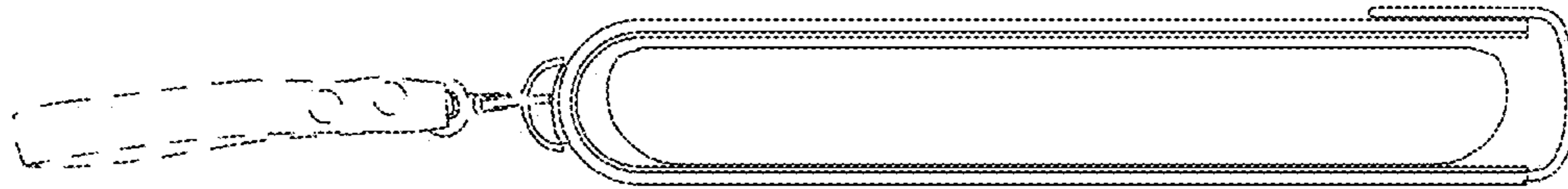


FIG. 7

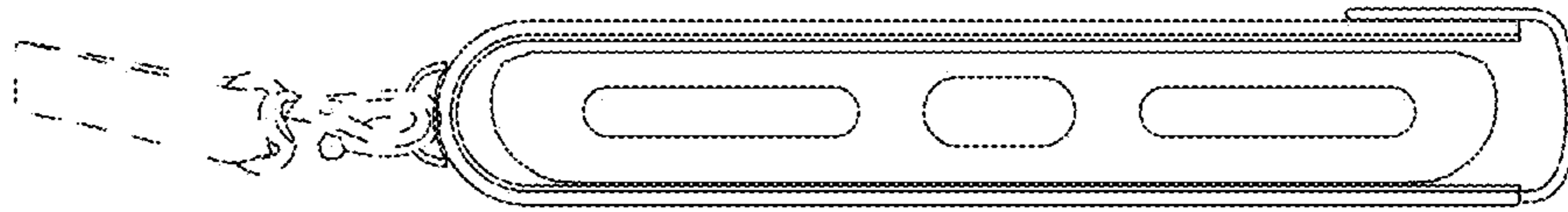


FIG. 8

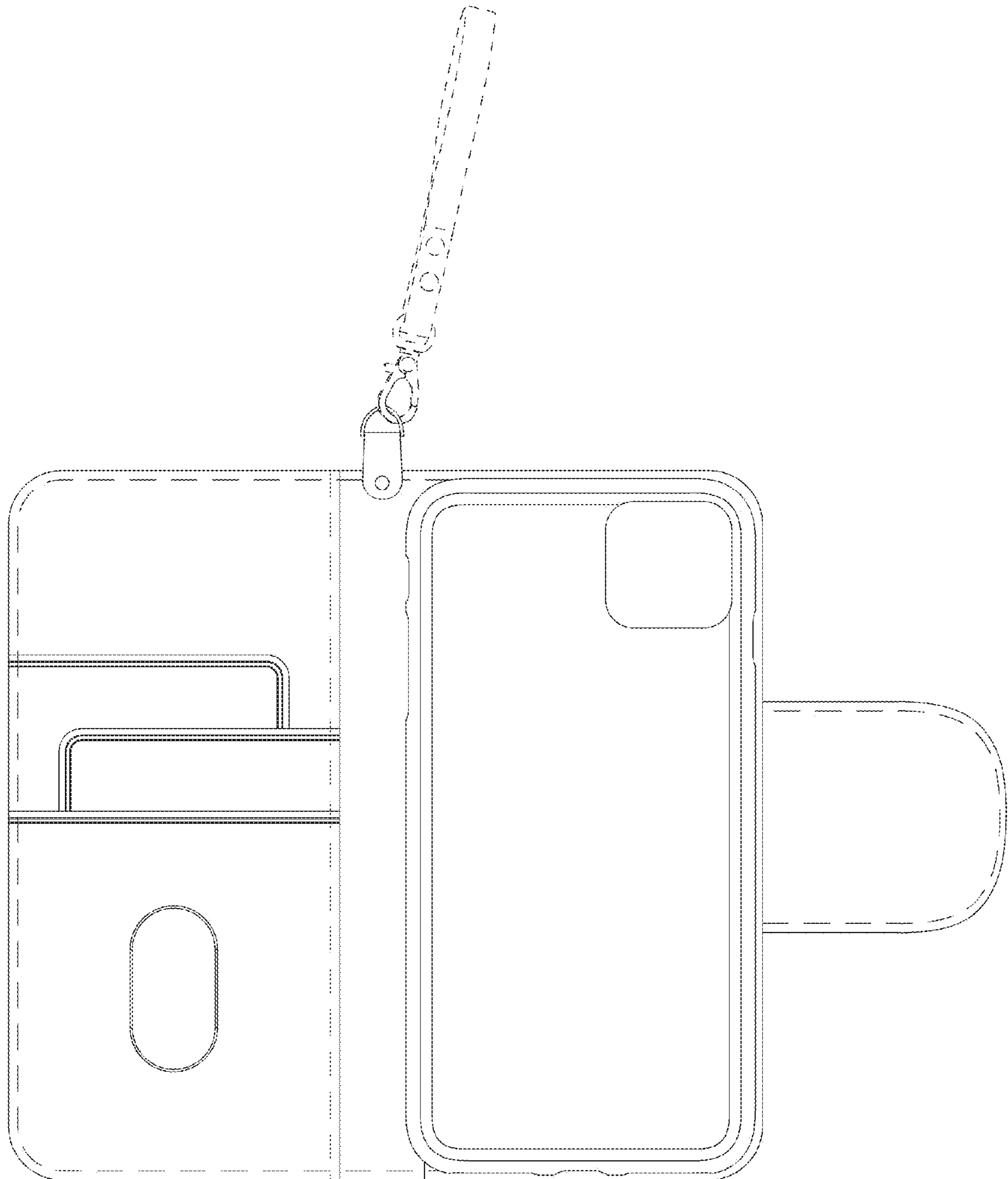


FIG. 9

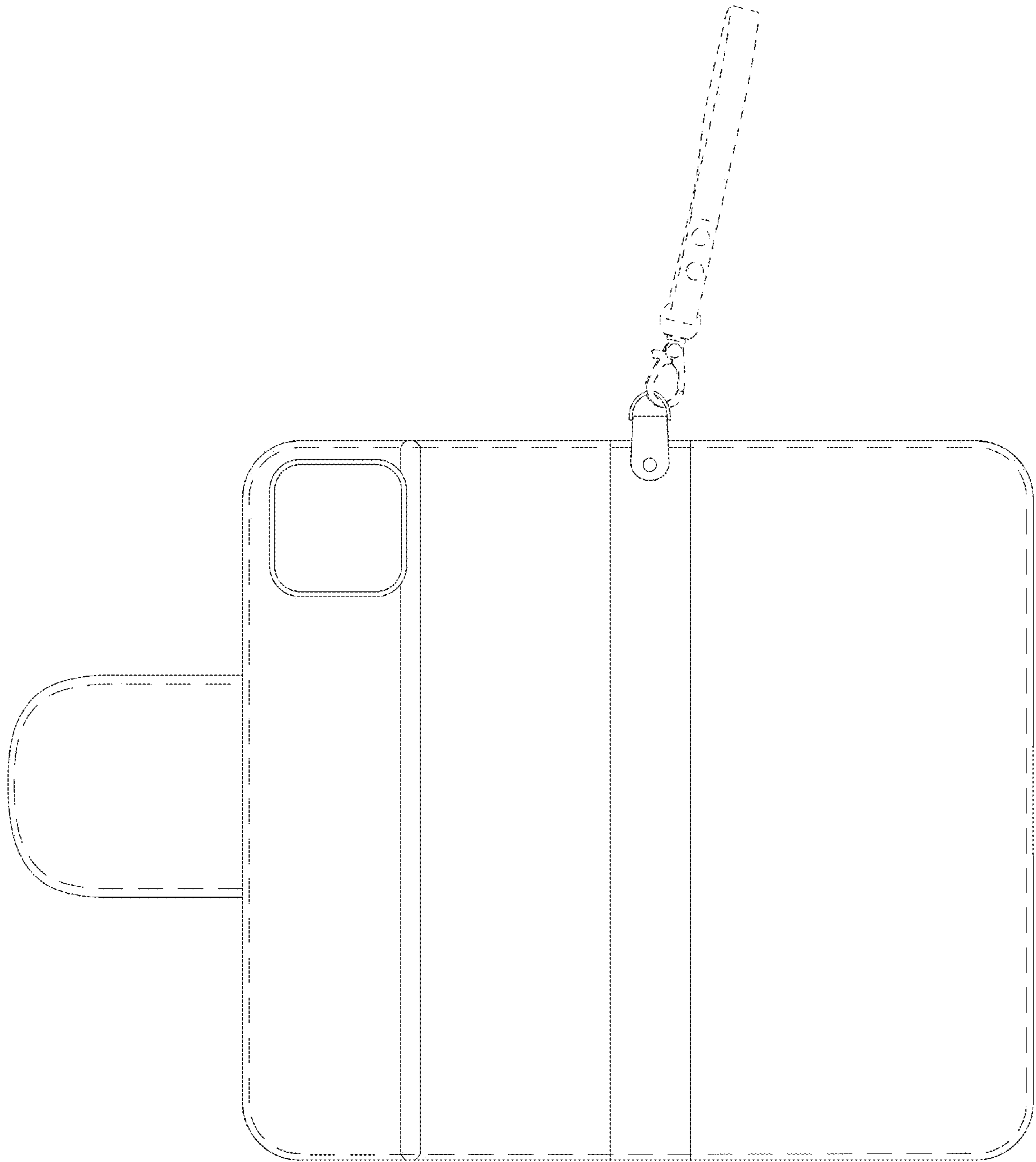


FIG. 10