



US00D906317S

(12) **United States Design Patent** (10) **Patent No.:** **US D906,317 S**
Kim (45) **Date of Patent:** **** Dec. 29, 2020**

(54) **CASE FOR ELECTRONIC COMMUNICATIONS DEVICE**

(71) Applicant: **SPIGEN KOREA CO., LTD.**, Seoul (KR)

(72) Inventor: **Ji Hyun Kim**, Seoul (KR)

(73) Assignee: **SPIGEN KOREA CO., LTD.**, Seoul (KR)

(**) Term: **15 Years**

(21) Appl. No.: **29/692,934**

(22) Filed: **May 29, 2019**

(51) **LOC (12) Cl.** **14-03**

(52) **U.S. Cl.**
USPC **D14/250**

(58) **Field of Classification Search**
USPC D3/201, 218, 226, 227, 247, 249, 250,
D3/269, 303; D13/103, 107, 108, 119;
(Continued)

(56) **References Cited**

U.S. PATENT DOCUMENTS

D574,819 S 8/2008 Andre et al.
D615,077 S 5/2010 Richardson et al.
(Continued)

OTHER PUBLICATIONS

“Spigen Ultra Hybrid Galaxy S9 Plus Case with Air Cushion Technology and Clear Hybrid Drop Protection for Samsung Galaxy S9 Plus (2018)—Crystal Clear” ,<https://www.amazon.com/DP/B078B1HB7Z/>, Earliest review date of Mar. 15, 2018, Downloaded on Jan. 8, 2019.

(Continued)

Primary Examiner — Susan E Krakower
Assistant Examiner — L. A. Grabenstetter

(74) *Attorney, Agent, or Firm* — Heedong Chae; Lucem, PC

(57) **CLAIM**

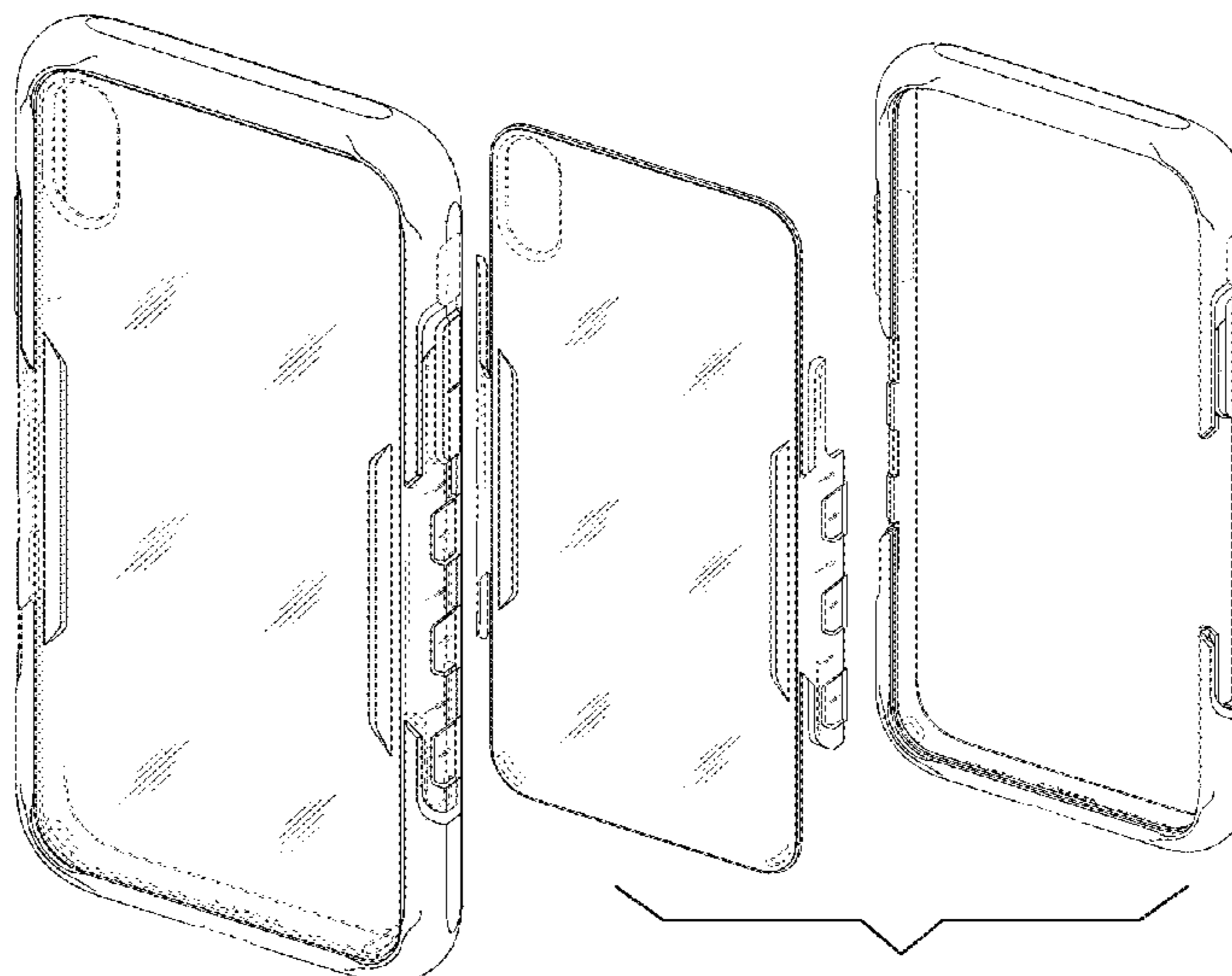
The ornamental design for a case for electronic communications device, as shown and described.

DESCRIPTION

FIG. 1 is a front perspective view of the case for electronic communications device showing my new design; FIG. 2 is a rear perspective view thereof; FIG. 3 is a front elevational view thereof; FIG. 4 is a rear elevational view thereof; FIG. 5 is a left side elevational view thereof; FIG. 6 is a right side elevational view thereof; FIG. 7 is a top plan view thereof; FIG. 8 is a bottom plan view thereof; FIG. 9 is a front perspective view showing the outer frame component of the case separately for clarity of disclosure; FIG. 10 is a rear perspective view showing the outer frame component of the case separately for clarity of disclosure; FIG. 11 is a front perspective view showing the inner shell of the case separately for clarity of disclosure; FIG. 12 is a rear perspective view showing the inner shell component of the case separately for clarity of disclosure; FIG. 13 is an exploded front perspective view showing the case with the components of the case separated for clarity of disclosure; and, FIG. 14 is an exploded rear perspective view showing the case with the components of the case separated for clarity of disclosure.

Although the case for electronic communications device in which the claimed design is embodied comprises an inner shell component and outer frame component, the claim is directed to the ornamental appearance of the case in its entirety and does not extend to the ornamental appearance of each of the individual components in isolation. The broken lines throughout the drawing figures depict portions of the case for electronic communications device that form no part of the claimed design.

1 Claim, 14 Drawing Sheets



(58) **Field of Classification Search**
 USPC D14/137, 138 R, 138 AA, 138 C, 138 G,
 D14/172, 192, 203.3–203.7, 217, 238.1,
 D14/247, 248, 250–253, 434, 440, 447,
 D14/496
 CPC H04B 1/3888; H04M 1/0283; H04M
 1/0202; A45C 1/06; A45C 2011/002;
 A45C 11/00; A45F 2005/028; A45F
 2200/0525
 See application file for complete search history.

(56) **References Cited**

U.S. PATENT DOCUMENTS

D615,536 S 5/2010 Richardson et al.
 D623,639 S 9/2010 Richardson et al.
 D623,640 S 9/2010 Freeman
 D636,387 S 4/2011 Willes et al.
 D638,828 S 5/2011 Melanson et al.
 D638,829 S 5/2011 Melanson et al.
 D643,029 S 8/2011 Feng
 D643,837 S 8/2011 Smith
 D662,929 S 7/2012 Fahrenedorff et al.
 D669,458 S 10/2012 Wilson et al.
 D671,930 S 12/2012 Akana et al.
 D673,539 S 1/2013 Magness et al.
 D674,789 S 1/2013 Wen
 D679,695 S 4/2013 Fahrenedorff et al.
 D683,338 S 5/2013 Wilson et al.
 D684,150 S 6/2013 Goradesky et al.
 D685,361 S 7/2013 Goradesky et al.
 D687,027 S 7/2013 Melanson et al.
 D694,224 S 11/2013 Wooseung
 D696,238 S 12/2013 Murchison et al.
 D696,240 S 12/2013 Kim et al.
 D697,060 S 1/2014 Yang
 D703,652 S 4/2014 Melanson et al.
 D703,653 S 4/2014 Brubaker et al.
 D706,754 S 6/2014 Goradesky
 D709,057 S 7/2014 Wilson et al.
 D712,388 S * 9/2014 Jia D14/250
 D714,276 S 9/2014 Hu et al.
 D721,071 S 1/2015 Nelson et al.
 D721,693 S 1/2015 Lee et al.
 D739,394 S 9/2015 Rayner et al.
 D741,845 S 10/2015 Kim
 D746,801 S 1/2016 Pan
 D746,805 S 1/2016 Kim
 D748,613 S 2/2016 Sasaki et al.
 D750,610 S 3/2016 Chen
 D755,772 S 5/2016 Sasaki et al.
 D756,343 S 5/2016 Wall et al.
 D763,241 S 8/2016 Kim
 D763,841 S * 8/2016 Kim D14/250
 D765,627 S 9/2016 Watt
 D765,633 S 9/2016 Northrup et al.
 D765,644 S 9/2016 Witter et al.
 D765,645 S 9/2016 Kim
 D767,551 S 9/2016 Sasaki et al.
 D767,552 S 9/2016 Sasaki et al.
 D771,612 S 11/2016 Roberts et al.
 D771,613 S 11/2016 Poon et al.
 D772,211 S 11/2016 Poon et al.
 D772,857 S 11/2016 Poon
 D773,445 S 12/2016 Witter et al.
 D775,614 S * 1/2017 Kim D14/250
 D776,647 S 1/2017 Kim
 D777,157 S 1/2017 Kim
 D777,159 S 1/2017 Lee et al.
 D780,164 S * 2/2017 Lee D14/250
 D780,167 S 2/2017 Tien
 D780,741 S 3/2017 Yin
 D781,835 S 3/2017 Kim et al.
 D781,836 S 3/2017 Kim et al.
 D781,837 S 3/2017 Kim et al.
 D781,838 S 3/2017 Kim et al.
 D781,839 S 3/2017 Kim et al.

D781,840 S 3/2017 Kim et al.
 D782,453 S 3/2017 Kim et al.
 D782,454 S 3/2017 Kim et al.
 D783,585 S * 4/2017 Park D14/248
 D783,588 S 4/2017 Chang
 D784,309 S 4/2017 Lee et al.
 D786,232 S * 5/2017 Kim D14/250
 D786,848 S 5/2017 Park et al.
 D786,849 S 5/2017 Park et al.
 D792,394 S 7/2017 Lee et al.
 D794,625 S 8/2017 Armstrong et al.
 D794,626 S 8/2017 Armstrong et al.
 D795,237 S 8/2017 Jung et al.
 D797,715 S 9/2017 Kim
 D800,714 S 10/2017 Lee et al.
 D801,323 S 10/2017 Kim
 D802,574 S * 11/2017 Kim D14/250
 D802,576 S 11/2017 Ahn
 D802,577 S 11/2017 Ahn
 D806,082 S 12/2017 Armstrong et al.
 D807,868 S 1/2018 Wang
 D808,375 S * 1/2018 Kim D14/250
 D808,376 S * 1/2018 Kim D14/250
 D815,083 S 4/2018 Fitzgerald et al.
 D825,543 S * 8/2018 Kim D14/250
 D829,201 S * 9/2018 Kim D14/250
 D829,702 S * 10/2018 Jung D14/250
 D834,572 S * 11/2018 Jung D14/250
 D835,090 S 12/2018 Beck et al.
 D836,097 S * 12/2018 Jung D14/250
 D838,710 S 1/2019 Wang
 D843,362 S * 3/2019 Kim D14/250
 D845,940 S * 4/2019 Roberts D14/250
 D849,731 S * 5/2019 Koo D14/250
 D854,530 S * 7/2019 Kim D14/250
 D856,996 S * 8/2019 Kim D14/250
 D856,997 S * 8/2019 Kim D14/250
 D859,391 S * 9/2019 Yun D14/250
 D860,182 S * 9/2019 Hyun D14/250
 D860,183 S * 9/2019 Hyun D14/250
 2015/0194994 A1 * 7/2015 Soriano H04B 1/3888
 455/575.8

OTHER PUBLICATIONS

“Spigen Ultra Hybrid S Galaxy S9 Case with Slim Clear Protection Air Cushion Technology and Magnetic Metal Kickstand for Samsung Galaxy S9 (2018)—Midnight Black”, <https://www.amazon.com/Spigen-Protection-Technology-Magnetic-Kickstand/dp/B078KPFMCC>, Earliest review date of Mar. 16, 2018, Downloaded on Jan. 8, 2019.
 “Spigen Ultra Hybrid Huawei P20 Pro Case with Air Cushion Technology and Clear Hybrid Drop Protection for Huawei P20 Pro (2018)—Crystal Clear”, <https://www.amazon.com/Spigen-Hybrid-Cushion-Technology-Protection/dp/B07BS765MR>, Earliest review date of May 16, 2018, Downloaded on Jan. 8, 2019.
 “Spigen Ultra Hybrid Galaxy Note 4 Case with Air Cushion Technology and Hybrid Drop Protection for Samsung Galaxy Note 4 2014—Gunmetal”, <https://www.amazon.com/dp/B00MAWPXVW>, Earliest review date of Oct. 15, 2014, Downloaded on Aug. 8, 2018.
 “Spigen Ultra Hybrid Galaxy Note 4 Case with Air Cushion Technology and Hybrid Drop Protection for Samsung Galaxy Note 4 2014—Crystal Clear”, <https://www.amazon.com/dp/B00MAWPVXM>, Earliest review date of Oct. 17, 2014, Downloaded on Aug. 8, 2018.
 “Spigen Ultra Hybrid Galaxy S6 Case with Air Cushion Technology and Hybrid Drop Protection for Galaxy S6 2015 Crystal Clear”, <https://www.amazon.com/dp/B00QU4PN84>, Earliest review date of Feb. 6, 2015, Downloaded on Aug. 8, 2018.
 “Spigen Ultra Hybrid Galaxy S6 Edge Case with Air Cushion Technology and Hybrid Drop Protection for Galaxy S6 Edge 2015—Metal Slate”, <https://www.amazon.com/dp/B00SV63NNG>, Earliest review date of Mar. 30, 2015, Downloaded on Aug. 8, 2018.
 “Spigen Ultra Hybrid Galaxy S6 Edge Plus Case with Air Cushion Technology and Hybrid Drop Protection for Galaxy S6 Edge Plus

(56)

References Cited

OTHER PUBLICATIONS

2015—Mint”, <https://www.amazon.com/dp/B010MWFRFI>, Earliest review date of Aug. 18, 2015, Downloaded on Aug. 8, 2018.

“Spigen Ultra Hybrid iPhone 6S Case with Air Cushion Technology and Hybrid Drop Protection for iPhone 6S / iPhone 5—Crystal Clear”, <https://www.amazon.com/dp/B010MVJNTK>, Earliest review date of Aug. 31, 2015, Downloaded on Dec. 28, 2018.

“iPhone 6s Plus Case, Spigen [Ultra Hybrid] Air Cushion [Crystal Clear] Clear back panel + TPU bumper for iPhone 5 Plus (2014) / 6s Plus (2015)—Crystal Clear (SGP11644)”, <https://www.amazon.com/dp/B010MVRC20>, Earliest review date of Sep. 15, 2015, Downloaded on Jan. 4, 2019.

“Spigen Ultra Hybrid Nexus 5X Case with Air Cushion Technology and Hybrid Drop Protection for Nexus 5X—Crystal Clear”, <https://www.amazon.com/dp/B0147JXWG8>, Earliest review date of Sep. 24, 2015, Downloaded on Jan. 8, 2019.

“Spigen Ultra Hybrid Tech iPhone 6S Plus Case with Bumper Protection for iPhone 6S Plus 201—Crystal White”, <https://www.amazon.com/dp/B013TKNIOC>, Earliest review date of Oct. 26, 2015, Downloaded on Jan. 4, 2019.

“Spigen Ultra Hybrid Galaxy S7 Edge Case with Air Cushion Technology and Hybrid Drop Protection for Samsung Galaxy S7 Edge 2016—Rose Crystal”, <https://www.amazon.com/dp/B01AUROZ1G>, Earliest review date of Feb. 24, 2016, Downloaded on Aug. 8, 2018.

“Spigen Ultra Hybrid Galaxy S7 Case with Air Cushion Technology and Hybrid Drop Protection for Samsung Galaxy S7 2016—Crystal Clear”, <https://www.amazon.com/dp/B01A7ID0AG>, Earliest review date of Feb. 29, 2016, Downloaded on Aug. 8, 2018.

“Spigen Ultra Hybrid iPhone SE Case with Air Cushion Technology and Hybrid Drop Protection for iPhone SE 2016 crystal Clear”, <https://www.amazon.com/dp/B01BEDOOOS>, Earliest review date of Apr. 15, 2016, Downloaded on Jan. 4, 2019.

“Spigen Ultra Hybrid Galaxy A5 Case with Air Cushion Technology and Hybrid Drop Protection for Galaxy A5—Crystal clear”, <https://www.amazon.com/dp/B018J07D01>, Earliest review date of May 23, 2016, Downloaded on Aug. 8, 2018.

“Spigen Ultra Hybrid iPhone 7 Case with Air Cushion Technology and Hybrid Drop Protection for iPhone 7 2016 Black”, <https://www.amazon.com/dp/B01GIVXBVY>, Earliest review date of Sep. 1, 2016, Downloaded on Jan. 8, 2019.

“Spigen Ultra Hybrid iPhone 7 Plus Case with Air Cushion Technology and Hybrid Drop Protection for Apple iPhone 7 Plus 2016—Crystal Clear”, <https://www.amazon.com/dp/B01GIWGFMU>, Earliest review date of Sep. 6, 2016, Downloaded on Jan. 8, 2019.

“Spigen Ultra Hybrid S iPhone Seven Plus Case with Air Cushion Technology and Magnetic Metal Kickstand for Apple iPhone Seven Plus Two Thousand and Sixteen Clear Black”, <https://www.amazon.com/dp/B01LRSF986>, Earliest review date of Sep. 7, 2016, Downloaded on Jan. 8, 2019.

“Spigen Ultra Hybrid S iPhone 7 Case with Air Cushion Technology and Magnetic Metal Kickstand for iPhone 7 2016 crystal Clear”, <https://www.amazon.com/dp/B01J9DVBWE>, Earliest review date of Sep. 13, 2016, Downloaded 3ri Jan. 8, 2019.

“Spigen Ultra Hybrid Google Pixel XL Case with Air Cushion Technology and Hybrid Drop Protection for Google Pixel XL 2016—Crystal Clear”, <https://www.amazon.com/dp/B01M12Z4VQ>, Earliest review date of Oct. 21, 2016, Downloaded on Jan. 8, 2019.

“Spigen Ultra Hybrid [2nd Generation] iPhone 8 Plus Case/iPhone 7 Plus Case with Clear Protection and Air Cushion Technology for iPhone 8 Plus (2017) / iPhone 7 Plus (2016)—Crystal Clear”, <https://www.amazon.com/dp/B01MXKNP05>, Earliest review date of Jan. 9, 2017, Downloaded on Jan. 8, 2019.

“Spigen Ultra Hybrid [2nd Generation] iPhone 7 Case/iPhone 8 Case with Air Cushion Technology for Apple iPhone 7 2016/iPhone 8 (2017)—Crystal Clear”, <https://www.amazon.com/dp/B01MOUSRWG>, Earliest review date of Jan. 17, 2017, Downloaded on Jan. 8, 2019.

“Spigen Ultra Hybrid Galaxy A5 2017 Case with Air Cushion Technology and Hybrid Drop Protection for Samsung Galaxy A5

(2017)—Crystal Clear”, <https://www.amazon.com/dp/B01NCJOZ1C>, Earliest review date of Mar. 2, 2017, Downloaded on Jan. 8, 2019.

“Spigen Ultra Hybrid Galaxy S8 Plus Case with Air Cushion Technology and Hybrid Drop Protection for Galaxy S8 Plus (2017)—Crystal Clear”, <https://www.amazon.com/dp/B06XP7S564> Earliest review date of Apr. 4, 2017, Downloaded on Aug. 8, 2018.

“Spigen Ultra Hybrid Galaxy S8 Case with Air Cushion Technology and Hybrid Drop Protection for Samsung Galaxy 38 (2017)—Crystal Clear”, <https://www.amazon.com/dp/B06XP5YQNQ>, Earliest review date of Apr. 7, 2017, Downloaded on Jul. 30, 2018.

“Spigen Ultra Hybrid S Galaxy S8 Plus Case with Air Cushion Technology and Magnetic Metal Kickstand for Galaxy 38 Plus (2017)—Crystal Clear”, <https://www.amazon.com/dp/B06XNSZJ31>, Earliest review date of Apr. 9, 2017, Downloaded on Aug. 8, 2018.

“Spigen Ultra Hybrid Galaxy A7 2017 Case with Air Cushion Technology and Hybrid Drop Protection for Samsung Galaxy A7 (2017)—Crystal Clear”, <https://www.amazon.com/dp/B01N9JDOMH>, Earliest review date of May 6, 2017, Downloaded on Aug. 8, 2018.

“Spigen Ultra Hybrid Sony Xperia Xz Premium Case with Air Cushion Technology and Hybrid Drop Protection for Sony Kperia Xz Premium (2017)—Crystal Clear”, <https://www.amazon.com/dp/B071VZ1176>, Earliest review date of Jul. 15, 2017, Downloaded on Jan. 8, 2019.

“Spigen Ultra Hybrid OnePlus 5 Case with Air Cushion Technology and Hybrid Drop Protection for OnePlus 5 (2017) Crystal Clear”, <https://www.amazon.com/dp/B06XFSQFMW>, Earliest review date of 20170820, Downloaded on Jan. 8, 2019.

“Spigen Ultra Hybrid Galaxy Note 8 Case with Air Cushion Technology and Hybrid Drop Protection for Galaxy Note 8 (2017)—Midnight Black”, <https://www.amazon.com/dp/B073RWN5QP>, Earliest review date of 20170903, Downloaded 3ri Aug. 8, 2018.

“Spigen Ultra Hybrid S Galaxy Note 8 Case with Air Cushion Technology and Magnetic Metal Kickstand for Galaxy Note 8 (2017)—Crystal Clear”, <https://www.amazon.com/dp/B073RWFZQH>, Earliest review date of 20170908 Downloaded on Jul. 30, 2018.

“Spigen Ultra Hybrid Designed for Apple iPhone XS Case (2018) / Designed for Apple iPhone X Case (2017)—Crystal Clear”, <https://www.amazon.com/dp/B074CMMCZM>, Earliest review date of 20170913, Downloaded on Jan. 8, 2019.

“Spigen Ultra Hybrid S [2nd Generation] iPhone 8 Case/iPhone 7 Case with Air Cushion Technology and Magnetic Metal Kickstand for Apple iPhone 8 (2017) / iPhone 7 (2016)—Crystal Clear”, <https://www.amazon.com/dp/B07482GSK2>, Earliest review date of 20170913, Downloaded on Jan. 8, 2019.

“Spigen Ultra Hybrid S [2nd Generation] iPhone 8 Plus Case/iPhone 7 Plus Case with Air Cushion Technology and Kickstand for Apple iPhone 8 Plus (2017) / iPhone 7 Plus (2016)—Crystal Clear”, <https://www.amazon.com/dp/B074833H3M>, Earliest review date of 20170930, Downloaded on Jan. 8, 2019.

“Spigen Ultra Hybrid S Designed for Apple iPhone XS Case (2018) / Designed for Apple iPhone X Case (2017) crystal Clear”, <https://www.amazon.com/dp/B074CMHVKY>, Earliest review date of 20171019, Downloaded on Jan. 8, 2019.

“Spigen Ultra Hybrid Sony Xperia XZ1 Case with Air Cushion Technology and Hybrid Drop Protection for Sony Xperia KZ1 (2017)—Crystal Clear”, <https://www.amazon.com/dp/B075DWY35G>, Earliest review date of Dec. 11, 2017, Downloaded on Jan. 8, 2019.

“Review: Griffin Reveal Case for iPhone 5”, <http://www.ilounge.com/index.php/reviews/entry/griffin-reveal-case-for-phone-5/>, Earliest review date of Oct. 16, 2016, Downloaded on Feb. 6, 2019.

“Review: Griffin Reveal for iPhone 5c”, <http://www.ilounge.com/index.php/reviews/entry/griffin-reveal-for-iphone-5c/>, Earliest review date of Oct. 10, 2013, Downloaded on Feb. 5, 2019.

“Spigen Ultra Hybrid Galaxy S8 Case with Air Cushion Technology and Hybrid Drop Protection for Galaxy S8 2015 Midnight Black”, <https://www.amazon.com/DP/B06XP7JTRC>, Earliest review date of Apr. 10, 2017, Downloaded on Jul. 30, 2018.

“Spigen Ultra Hybrid Galaxy S9 Plus Case with Air Cushion Technology and Hybrid Drop Protection for Galaxy S9 Plus (2018)—Matte Black”, <https://www.amazon.com/DP/B078B8PM95>, Earliest review date of Apr. 10, 2017, Downloaded on Jul. 30, 2018.

“Spigen Ultra Hybrid Galaxy S9 Case with Air Cushion Technology and Clear Hybrid Drop Protection for Samsung Galaxy S9 (2018)—

(56)

References Cited

OTHER PUBLICATIONS

Coral", <https://www.amazon.com/DP/B078FGB7TT>, Earliest review date of Mar. 9, 2018, Downloaded on Jan. 8, 2019.

* cited by examiner

FIG. 1

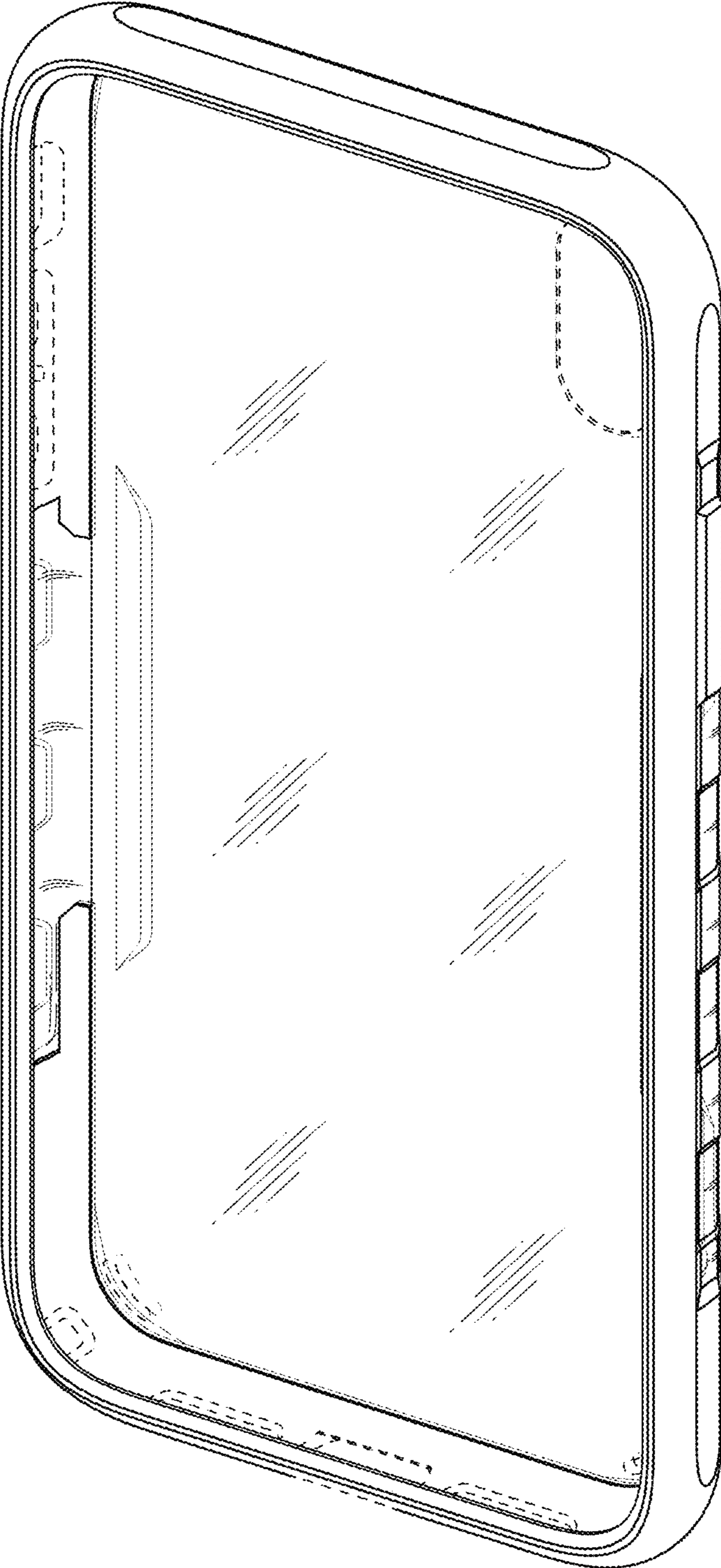


FIG. 2

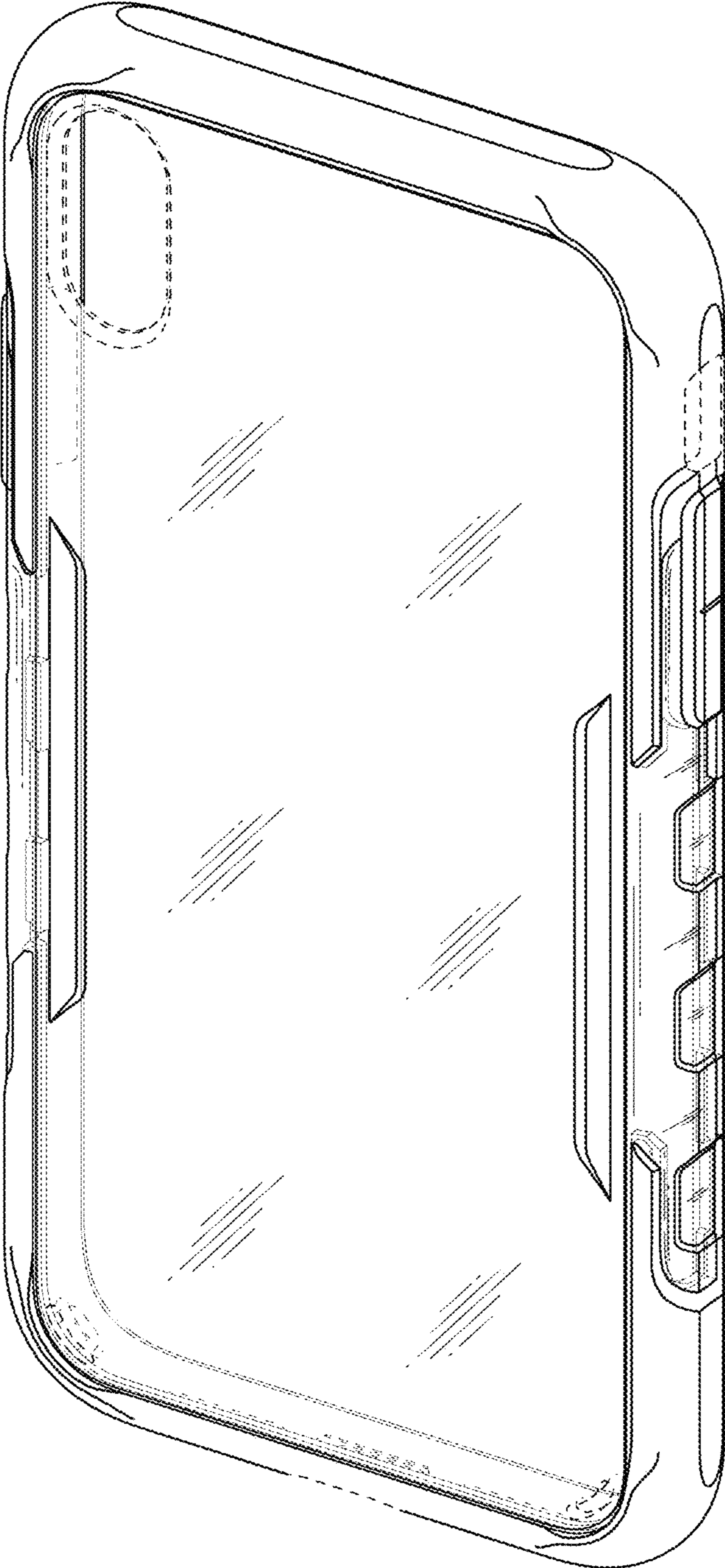


FIG. 3

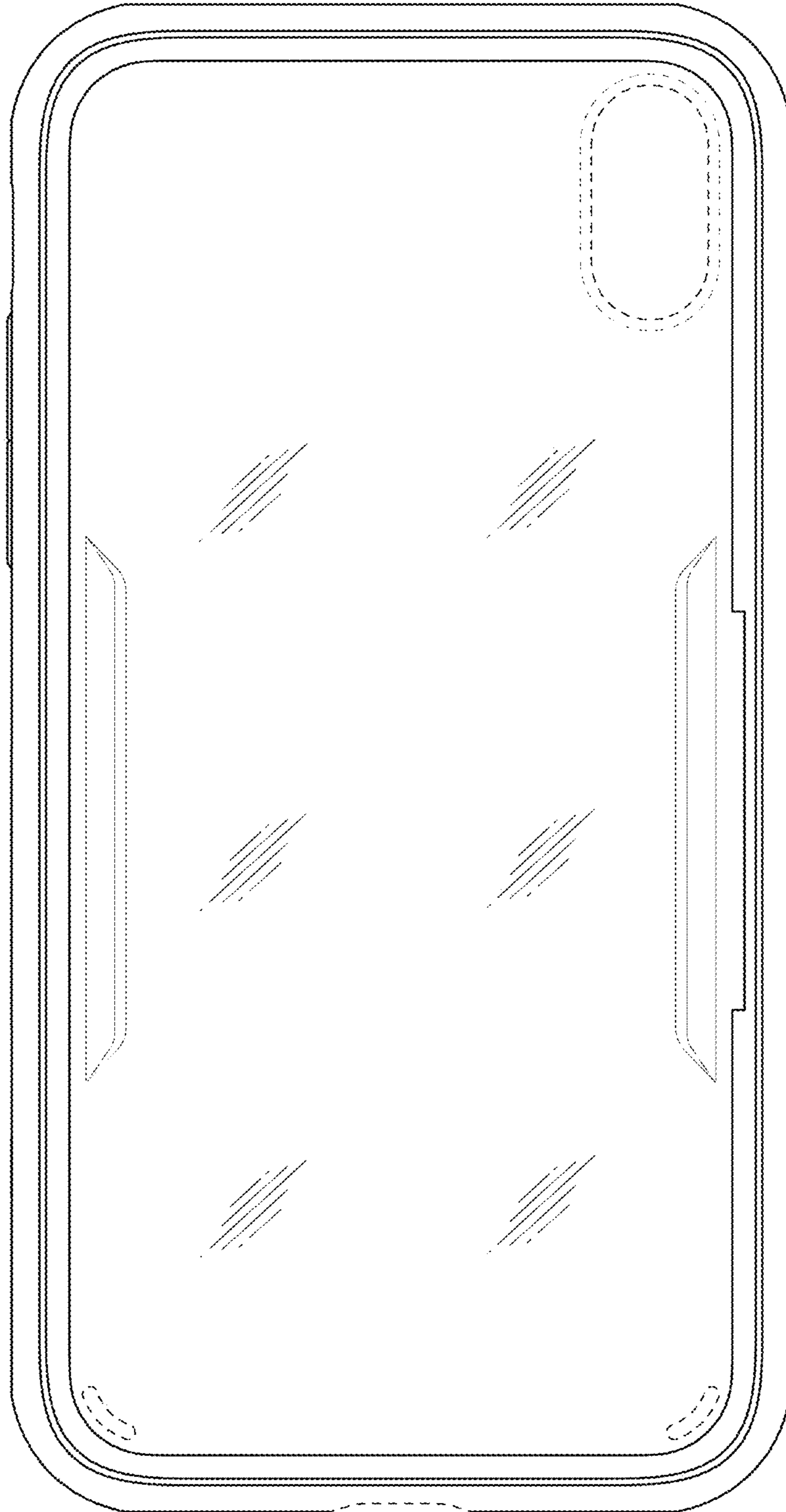


FIG. 4

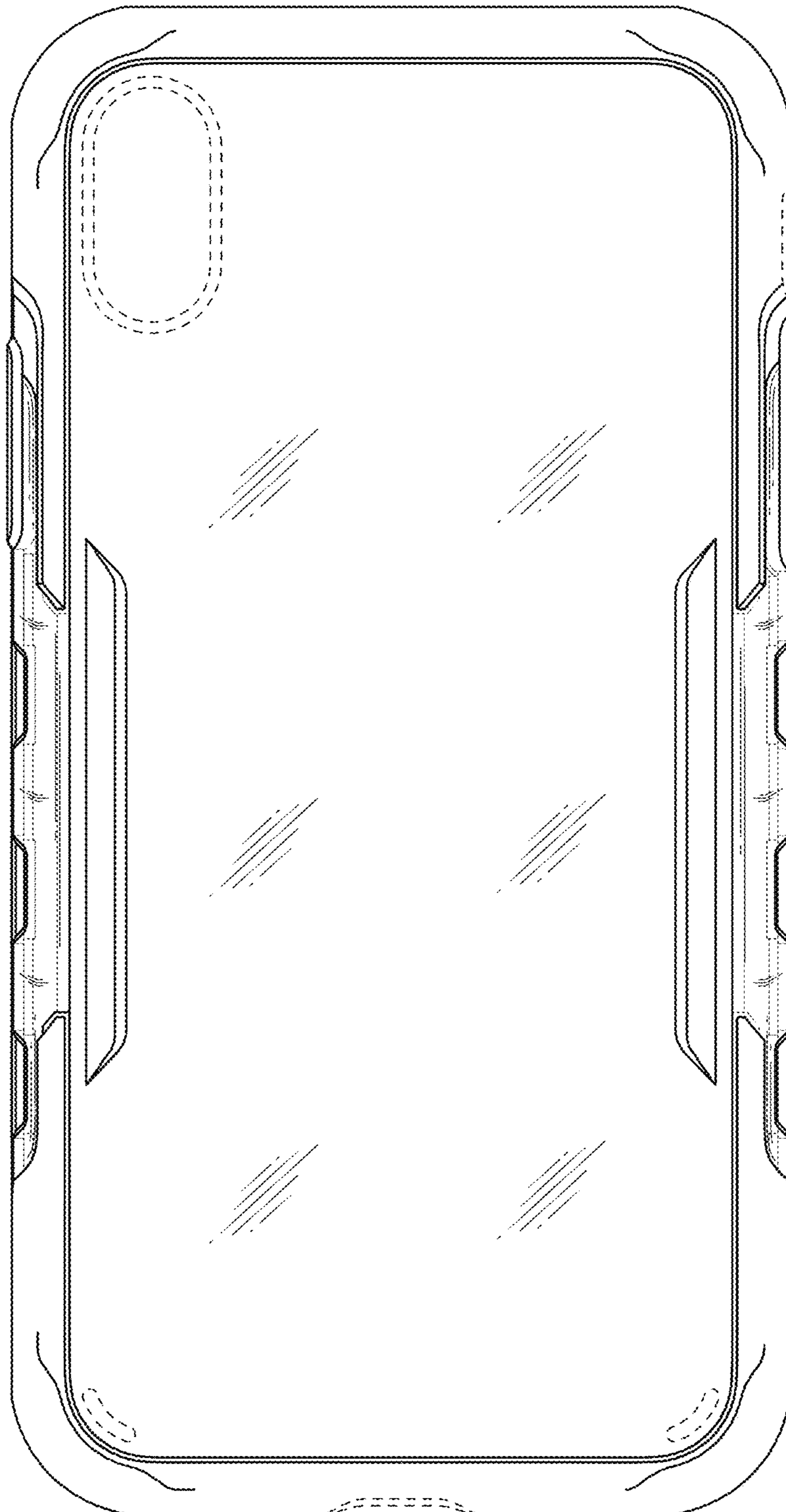


FIG. 5

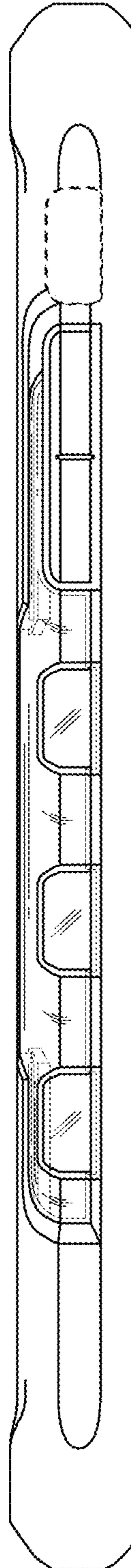


FIG. 6

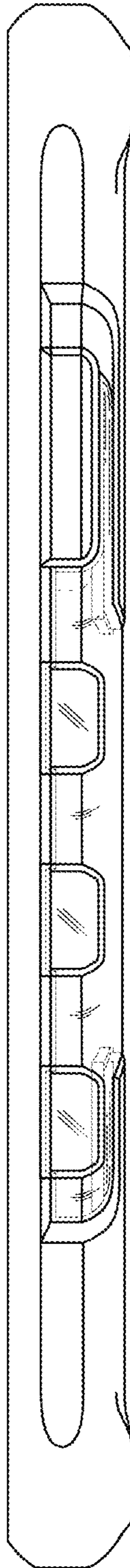


FIG. 7

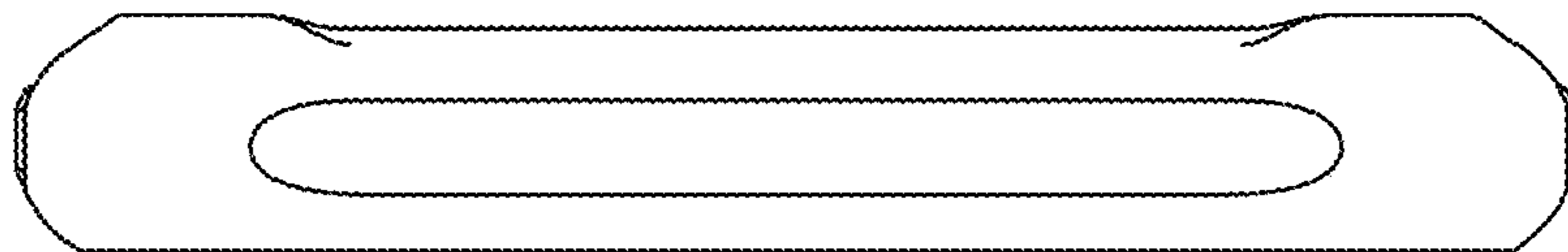


FIG. 8

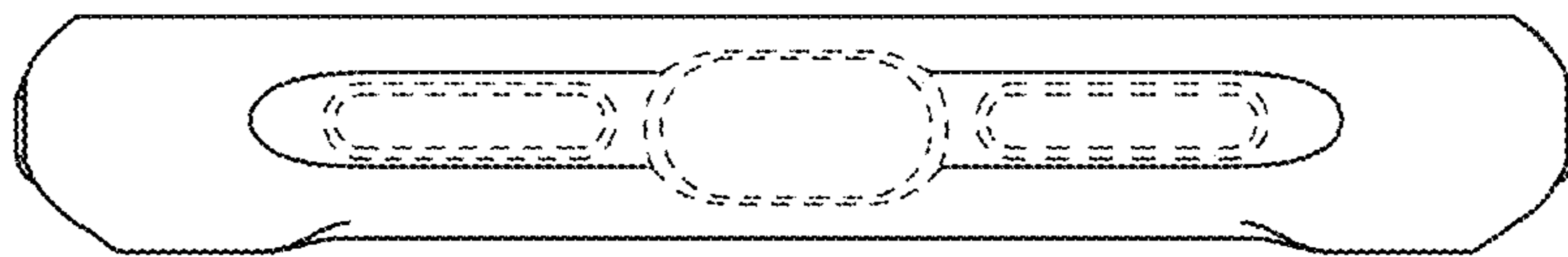


FIG. 9

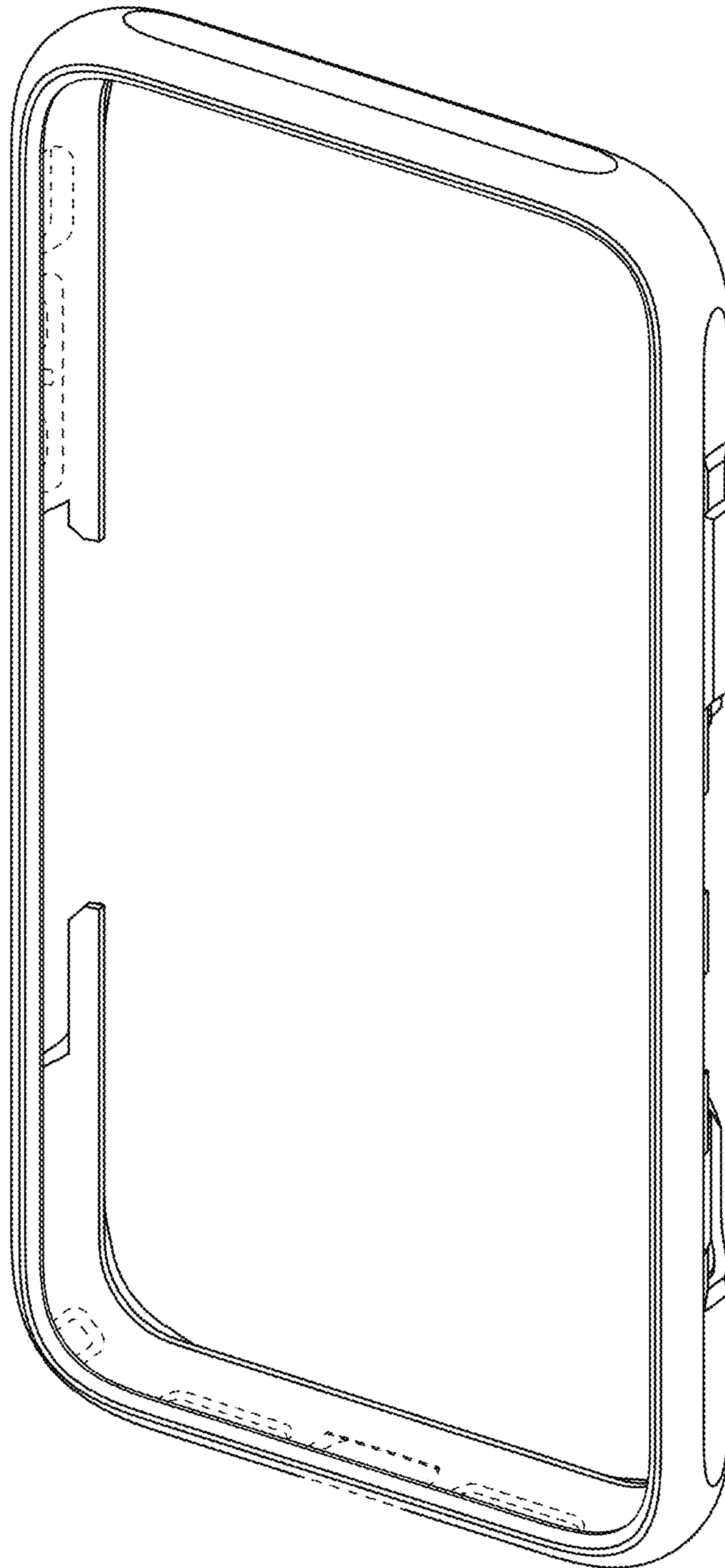


FIG. 10

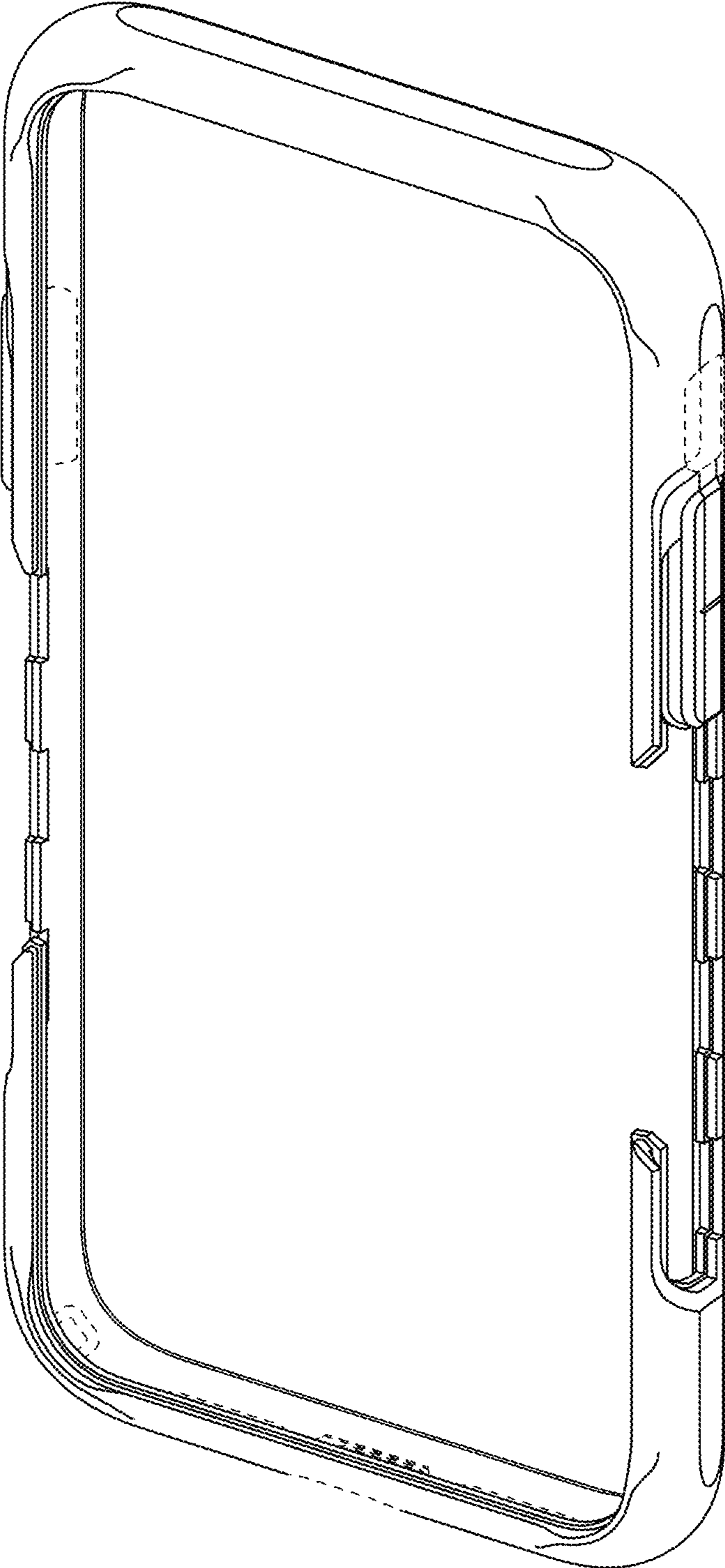


FIG. 11

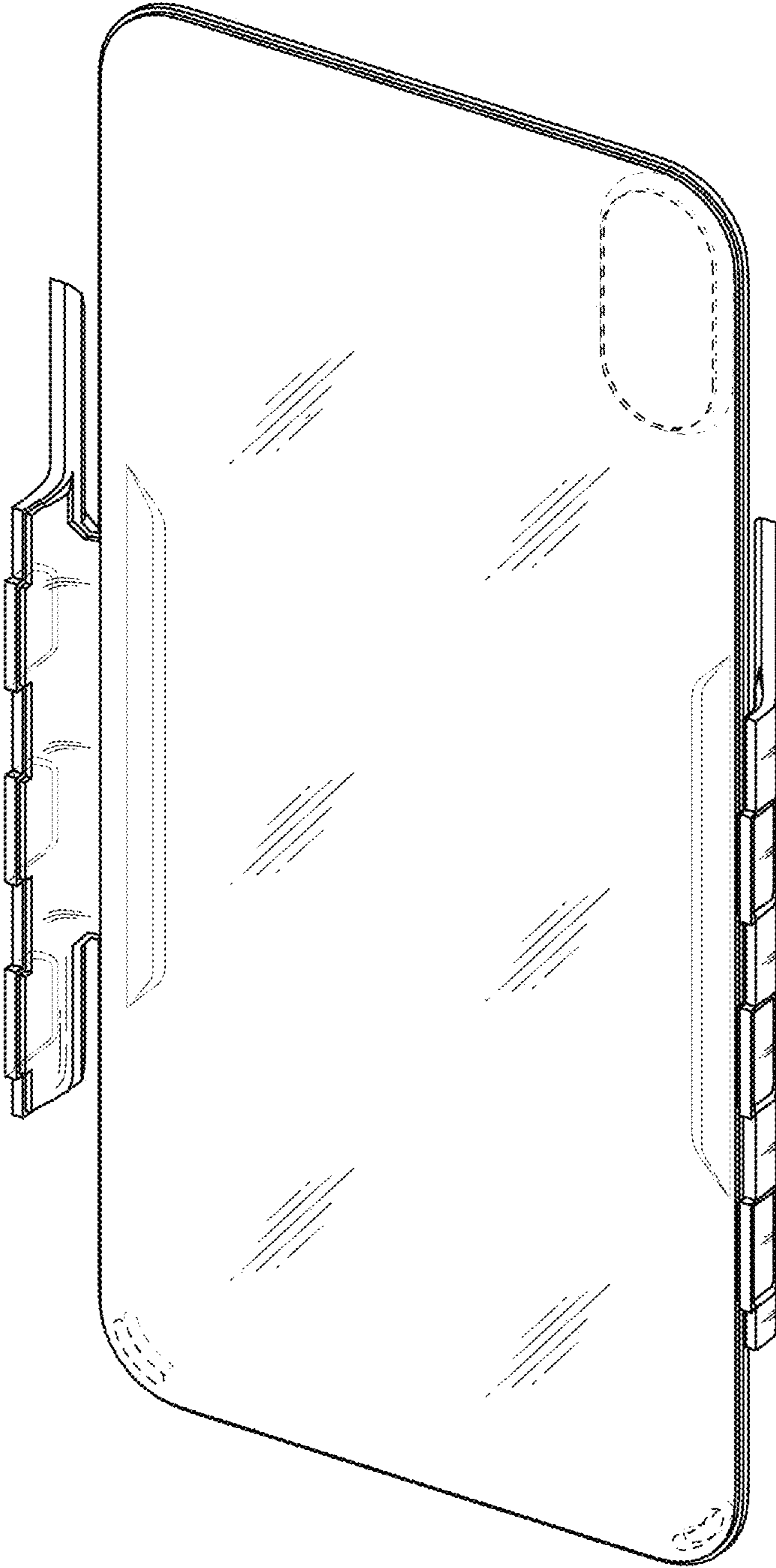


FIG. 12

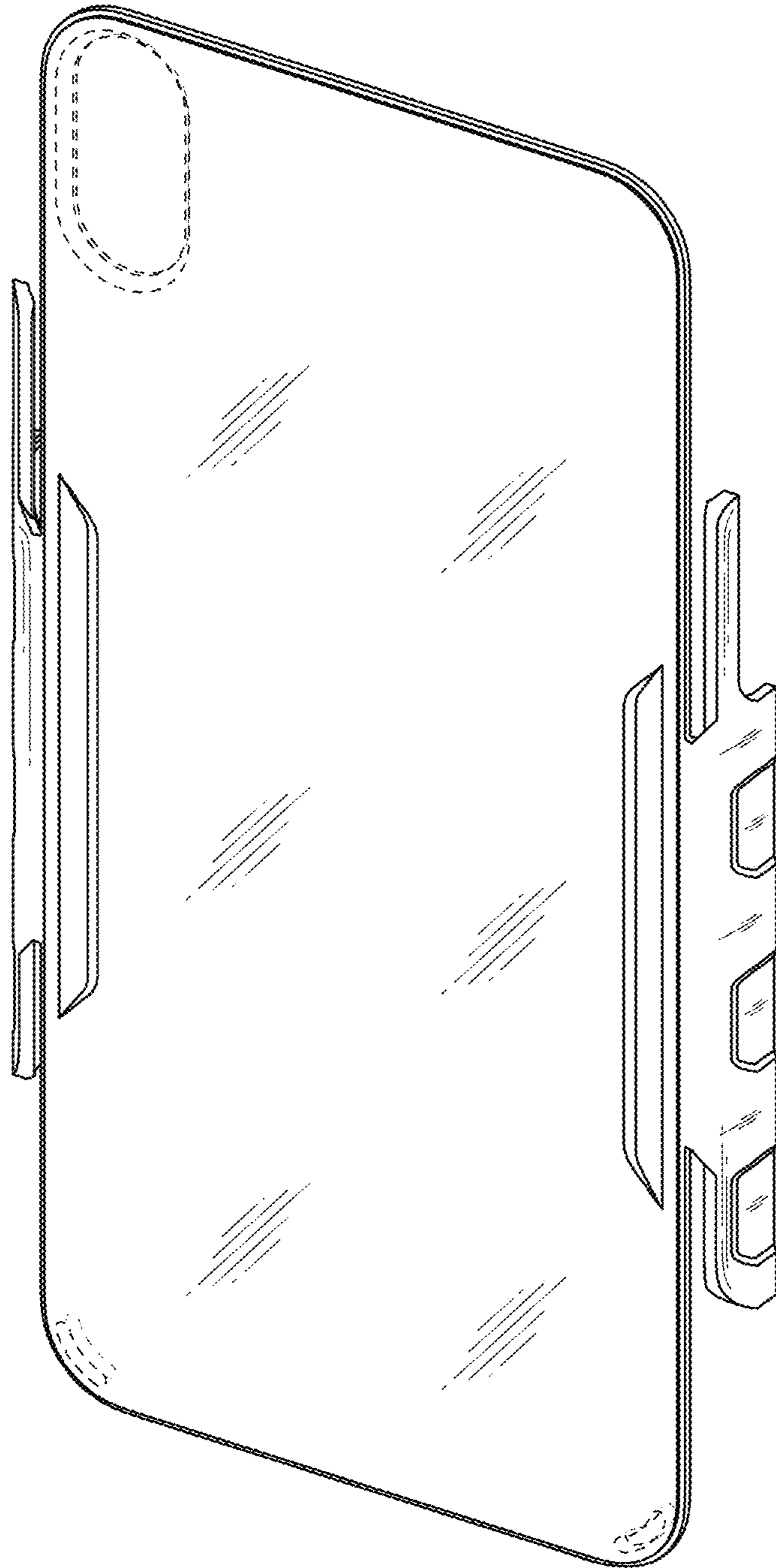


FIG. 13

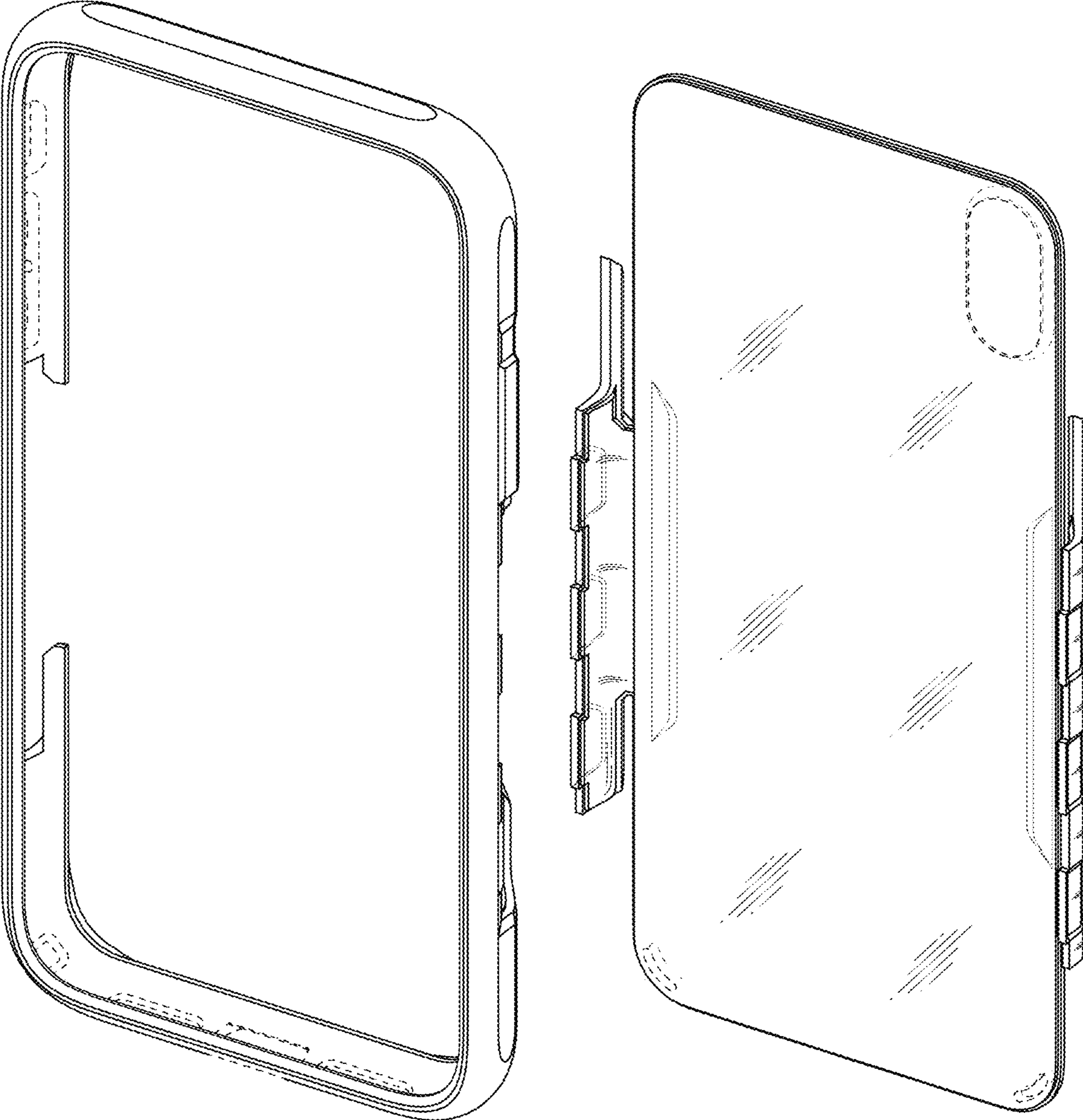


FIG. 14

