



US00D906315S

(12) **United States Design Patent** (10) **Patent No.:** **US D906,315 S**
Yun (45) **Date of Patent:** **** Dec. 29, 2020**

- (54) **CASE FOR ELECTRONIC COMMUNICATIONS DEVICE**
- (71) Applicant: **SPIGEN KOREA CO., LTD.**, Seoul (KR)
- (72) Inventor: **Sun Woo Yun**, Seoul (KR)
- (73) Assignee: **SPIGEN KOREA CO., LTD.**, Seoul (KR)
- (**) Term: **15 Years**
- (21) Appl. No.: **29/689,917**
- (22) Filed: **May 2, 2019**

Related U.S. Application Data

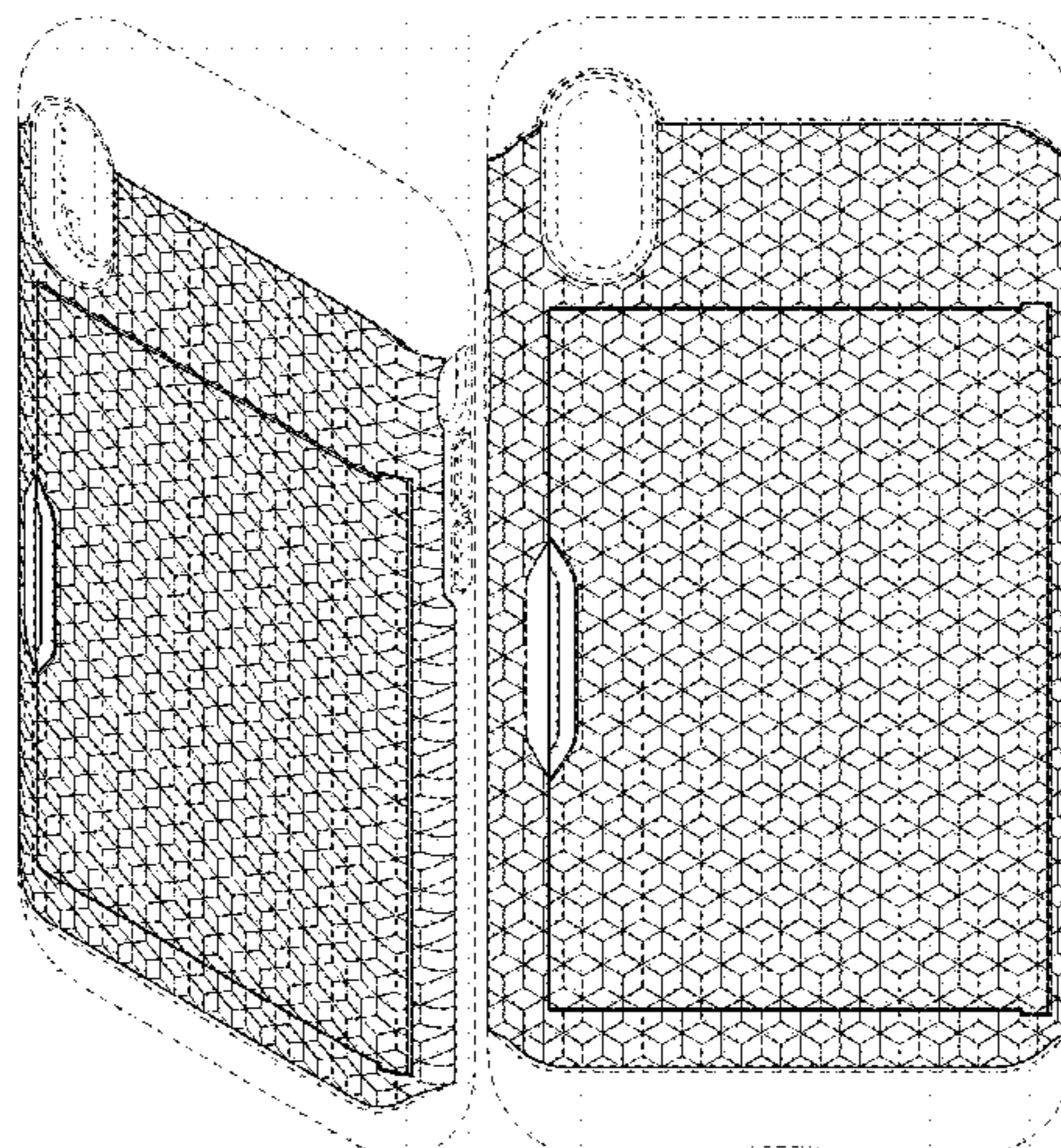
- (63) Continuation of application No. 29/625,268, filed on Nov. 8, 2017, now Pat. No. Des. 850,435.
- (51) **LOC (12) Cl.** **14-03**
- (52) **U.S. Cl.**
USPC **D14/250**
- (58) **Field of Classification Search**
USPC D14/250, 203.3–203.7, 439, 238.1, 440, D14/251–253, 447, 217, 240, 248; D3/201, 218, 247, 269, 273, 301, 303; D13/103, 119, 107–108
CPC H04B 1/3888; H04M 1/0283; H04M 1/0202; A45C 1/06; A45C 11/00; A45C 13/02; A45C 2011/002; A45F 2005/026; A45F 2200/0525; A45F 2200/0516
See application file for complete search history.

(56) **References Cited**

U.S. PATENT DOCUMENTS

- D436,139 S * 1/2001 Cummings D21/349
- D489,905 S * 5/2004 Hynnek D5/53
- D515,809 S * 2/2006 Perella D3/232
- D619,361 S 7/2010 Andre et al.
- D624,064 S * 9/2010 Esposito D14/250
- D646,265 S 10/2011 Fathollahi
- D649,144 S 11/2011 Fathollahi
- D650,371 S 12/2011 Wibby et al.

- D651,202 S 12/2011 Fathollahi
- D655,281 S 3/2012 Turocy
- D656,495 S 3/2012 Andre et al.
- D663,263 S 7/2012 Gupta et al.
- D669,889 S 10/2012 Li et al.
- D679,698 S 4/2013 Murchison et al.
- D681,615 S 5/2013 Fathollahi
- D682,196 S 5/2013 Leung
- D685,358 S 7/2013 Armstrong et al.
- D688,655 S 8/2013 Rey-Hipolito et al.
- 8,504,127 B2 8/2013 Altschul et al.
- 8,517,172 B1 8/2013 Chang
- D694,759 S * 12/2013 Chang D14/440
- D697,060 S 1/2014 Yang
- D700,174 S * 2/2014 Li D14/248
- D703,650 S 4/2014 Ehrlich
- D703,651 S 4/2014 Ehrlich
- D705,764 S * 5/2014 Thoni D14/250
- 8,726,952 B2 5/2014 Jambunathan et al.
- D707,965 S 7/2014 Requa
- D712,891 S * 9/2014 Fathollahi D14/250
- D715,785 S 10/2014 Jacob et al.
- D716,045 S 10/2014 Requa
- D717,775 S 11/2014 Hemesath et al.
- D720,736 S 1/2015 Chen et al.
- D721,686 S 1/2015 Jacob et al.
- D721,689 S * 1/2015 Altschul H04B 1/3888
D14/250
- D723,532 S 3/2015 Stevinson
- 8,971,975 B2 3/2015 Ramies et al.
- 9,049,283 B1 6/2015 Kim
- D741,845 S 10/2015 Kim
- D743,931 S 11/2015 Hubbard et al.
- D746,275 S 12/2015 Mohammad
- 9,241,551 B2 1/2016 Lawson et al.
- D749,068 S 2/2016 Zaborski et al.
- D749,557 S 2/2016 Feng
- D753,099 S 4/2016 Kim
- D755,167 S 5/2016 Chen et al.
- D756,911 S 5/2016 Gupta et al.
- D759,966 S 6/2016 Pignotti
- D763,841 S 8/2016 Kim
- D765,069 S * 8/2016 Jeffrey D14/250
- D767,554 S 9/2016 Bertrand et al.
- D768,123 S 10/2016 Armstrong et al.
- D770,458 S 11/2016 Corcoran et al.
- D771,027 S 11/2016 Prstojevich et al.
- D772,209 S 11/2016 Kim et al.
- D776,101 S * 1/2017 Poon D14/250
- D776,646 S * 1/2017 Deng D14/250
- D776,649 S 1/2017 Kim
- D777,156 S * 1/2017 Kim D14/250
- D782,460 S 3/2017 Bertrand et al.



9,661,116	B1 *	5/2017	Chung	A45C 11/00
9,675,150	B2 *	6/2017	Kim	A45C 11/182
D791,113	S	7/2017	Tien et al.	
D791,773	S	7/2017	Moore et al.	
D793,380	S	8/2017	Ballou et al.	
D796,498	S	9/2017	Babichenko	
D798,854	S	10/2017	Babichenko	
D802,575	S	11/2017	Castro	
D832,269	S	10/2018	Cheng	
D834,010	S *	11/2018	Kim	D14/250
D837,774	S *	1/2019	Koo	D14/250
D840,990	S	2/2019	Kim	
D840,991	S	2/2019	Kim	
D841,011	S	2/2019	Mecchella et al.	
D843,363	S	3/2019	Yan	
D845,290	S	4/2019	Brubaker et al.	
D847,806	S	5/2019	Kim	
D849,733	S *	5/2019	Yun	D14/250
D850,434	S *	6/2019	Yun	D14/250
D850,435	S *	6/2019	Yun	D14/250
D851,648	S	6/2019	Tan	
2013/0215509	A1 *	8/2013	Mimura	G02B 5/124 359/529
2015/0141082	A1 *	5/2015	Ehrlich	H04B 1/3888 455/575.1
2016/0113368	A1 *	4/2016	Tu	H04B 1/3888 206/45.23
2016/0269516	A1 *	9/2016	Kim	H04M 1/04

OTHER PUBLICATIONS

“VRS Design Damda Glide Samsung Galaxy Note 7 Case—Blue Coral”, <https://www.mobilefun.com/vrs-design-damda-glide-samsung-galaxy-note-7-case-blue-coral-60422>, Earliest review date of Sep. 9, 2016.

“Galaxy S7 Edge Case Damda Glide Series”, <https://vrsdesign.com/products/damda-glide-series-galaxy-s7-edge-case>, Earliest review posted on 2016, Downloaded on Dec. 17, 2018.

“Galaxy S7 Case, VRS Design [Damda Glide Series] Semi Automatic Card Slot with Military Grade Protection (Satin Silver)”, <https://www.amazon.com/dp/B01LWRTPWR>, Earliest review date of Nov. 8, 2016.

“iPhone 6 Plus/6s Plus Case Damda Glide Series”, <https://vrsdesign.com/products/iphone-6-plus-6s-plus-damda-glide-series>, Earliest review posted on 2016, Downloaded on Dec. 18, 2018.

“iPhone 7 Plus / 8 Plus Case, VRS Design [Damda Glide Series] Semi Automatic Card Slot with Military Grade Protection (Steel Silver)”, <https://www.amazon.com/DP/B01LY0IWRH>, Earliest review date of Oct. 18, 2016.

“VRS Design [Damda Glide Series] Semi Automatic Card Slot Shockproof Case Compatible with Apple iPhone 7 / 8—(Steel Silver)”, <https://www.amazon.com/dp/B01LXD3F6L>, Earliest review date of Oct. 11, 2016.

“iPhone 6/6s Case Damda Glide Series”, <https://vrsdesign.com/products/damda-glide-series-2>, Earliest review posted on 2016, Downloaded on Dec. 17, 2018.

“VRS Design unveils semi-automatic Damda Glide cases for the Samsung Galaxy Note 7”, <https://www.pmevswire.com/news-releases/vrs-design-unveils-semi-automatic-damda-glide-cases-for-the-samsung-galaxy-note-7-300299529.html>, Published on Jul. 18, 2016.

“Galaxy Note 7 Case Preview from VRS Design: Damda Glide Case!”, <https://www.youtube.com/watch?v=3aoPDXLbrRk>, Published on Aug. 1, 2016.

“Spigen Slim Armor CS Galaxy S7 Case with Slim Dual Layer Wallet Design and Card Slot Holder for Samsung Galaxy S7

2016—Gunmetal”, <https://www.amazon.com/dp/B01AUR1HF4>, Earliest review date of Mar. 11, 2016.

“Spigen Slim Armor CS Galaxy S7 Edge Case with Slim Dual Layer Wallet Design and Card Slot Holder for Galaxy S7 Edge 2016—Gunmetal”, <https://www.amazon.com/dp/B01CTRI5VM>, Earliest review date of Apr. 22, 2016.

“iPhone 7 Plus Case, Spigen® [Slim Armor CS] Card Holder [Gunmetal] Slim Fit Dual Layer Protective with Card Slot Holder Wallet Case for iPhone 7 Plus (2016)-(043CS20526)”, <https://www.amazon.co.uk/dp/B01GIWFLQ6>, Downloaded on Aug. 23, 2018.

* cited by examiner

Primary Examiner — Carla J Wright

(74) Attorney, Agent, or Firm — Heedong Chae; Lucem, PC

(57) CLAIM

The ornamental design for a case for electronic communications device, as shown and described.

DESCRIPTION

FIG. 1 is a front perspective view of a case for electronic communications device showing my new design;

FIG. 2 is a rear perspective view thereof;

FIG. 3 is a front elevational view thereof;

FIG. 4 is a rear elevational view thereof;

FIG. 5 is a left side elevational view thereof;

FIG. 6 is a right side elevational view thereof;

FIG. 7 is a top plan view thereof;

FIG. 8 is a bottom plan view thereof;

FIG. 9 is a front perspective view of the inner component of the case for electronic communications device shown separately for clarity of disclosure;

FIG. 10 is a rear perspective view thereof shown separately for clarity of disclosure;

FIG. 11 is a front perspective view of the outer frame component of the case for electronic communications device shown separately for clarity of disclosure;

FIG. 12 is a rear perspective view thereof shown separately for clarity of disclosure;

FIG. 13 is a front perspective view of the storage compartment cover component of the case for electronic communications device shown separately for clarity of disclosure;

FIG. 14 is a rear perspective view thereof shown separately for clarity of disclosure;

FIG. 15 is an exploded front perspective view showing the components of the case for electronic communications device separated for clarity of disclosure; and,

FIG. 16 is an exploded rear perspective view showing the components of the case for electronic communications device separated for clarity of disclosure.

The broken lines throughout the drawing figures depict portions of the case for electronic communications device that form no part of the claimed design. The broken lines and regions bounded by broken lines form no part of the claimed design.

1 Claim, 16 Drawing Sheets

FIG. 1

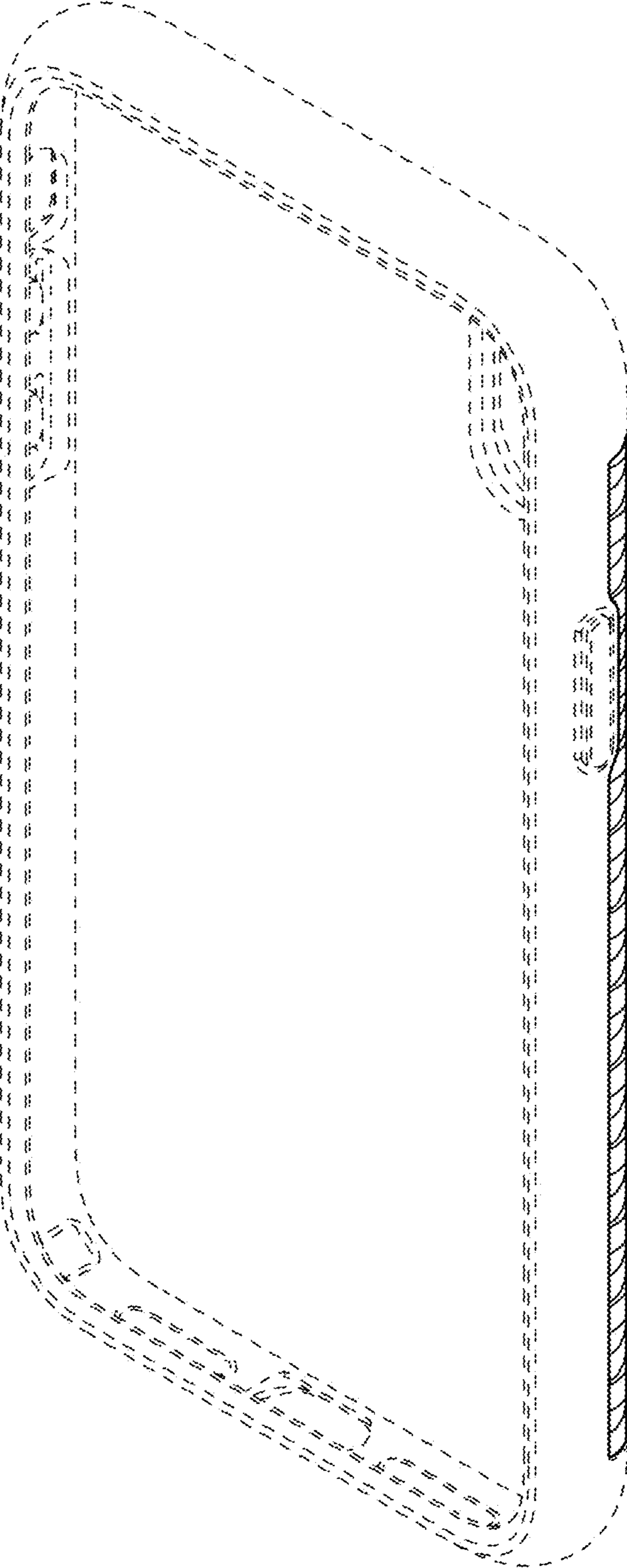


FIG. 2

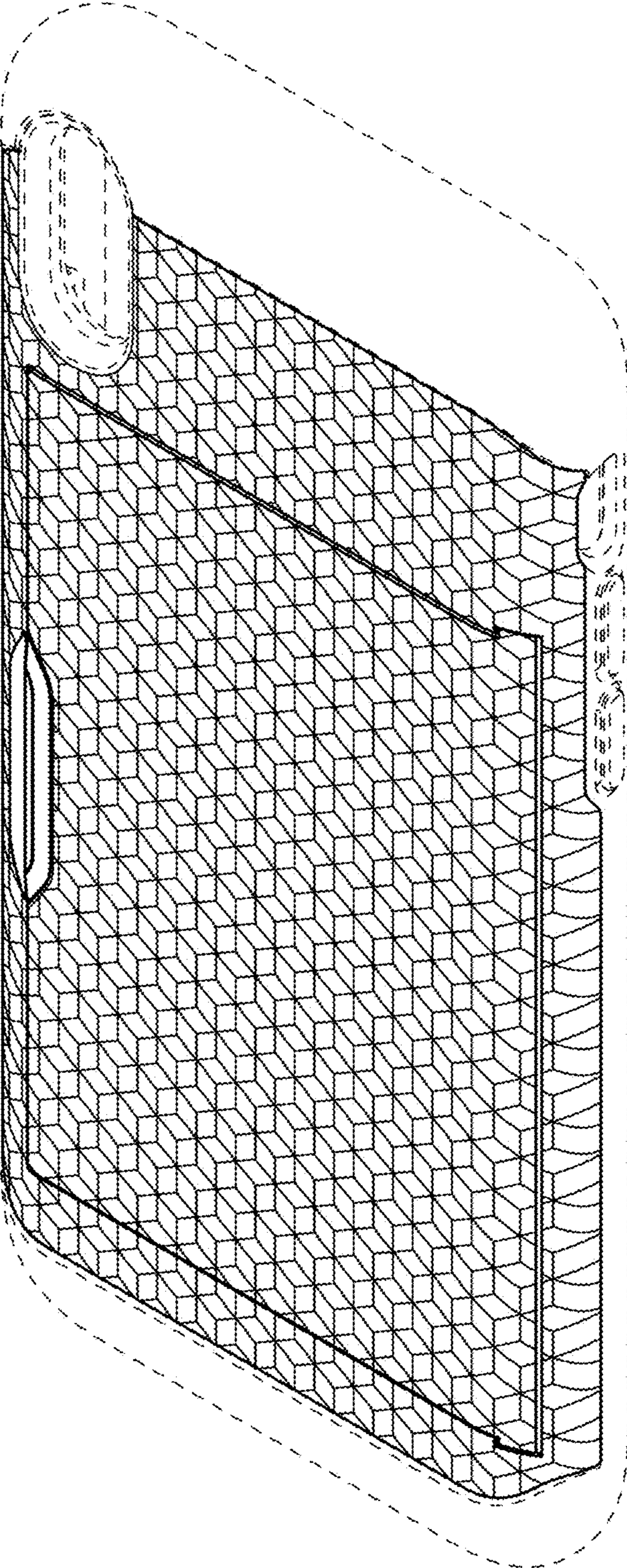


FIG. 3

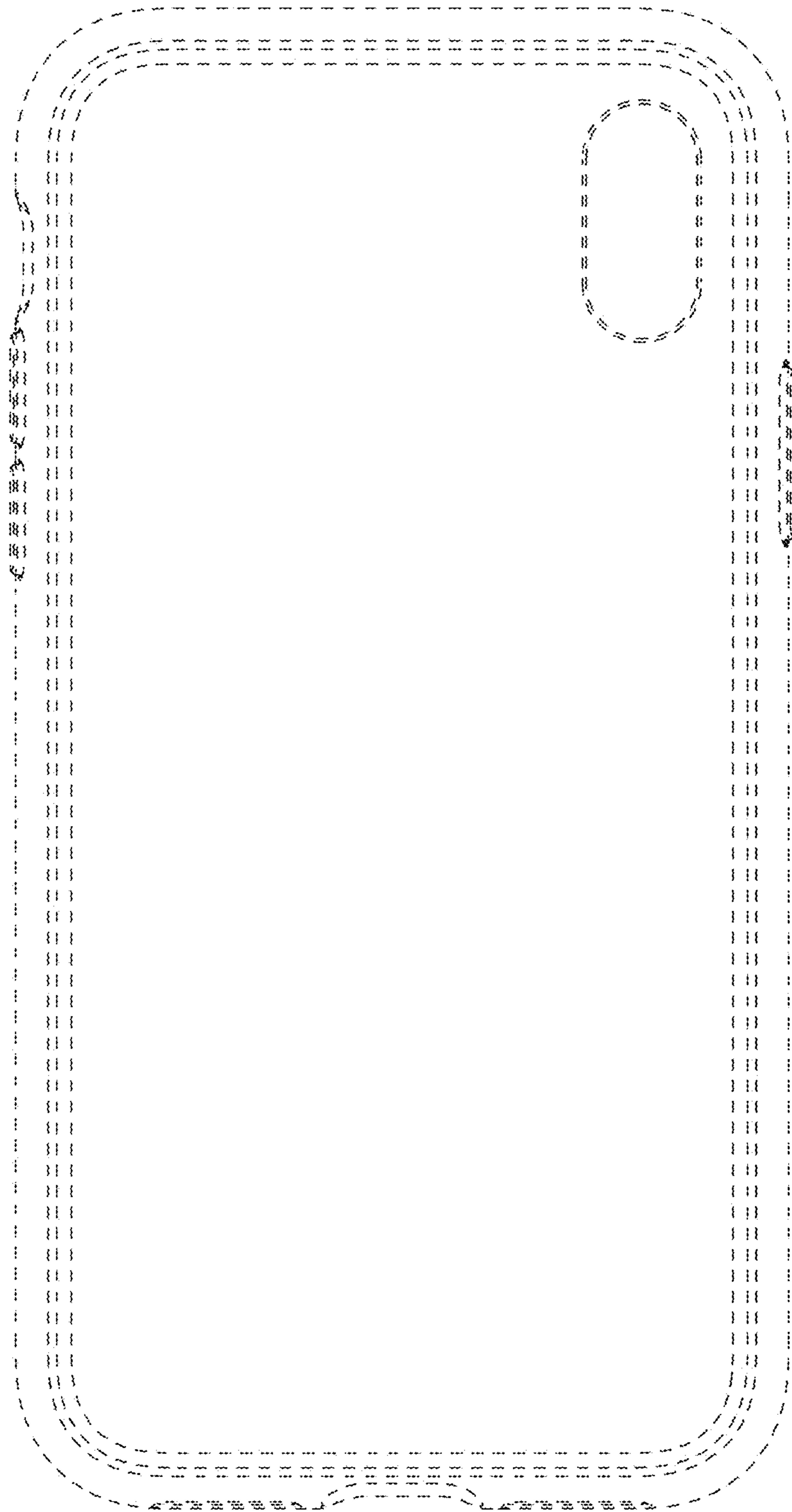


FIG. 4

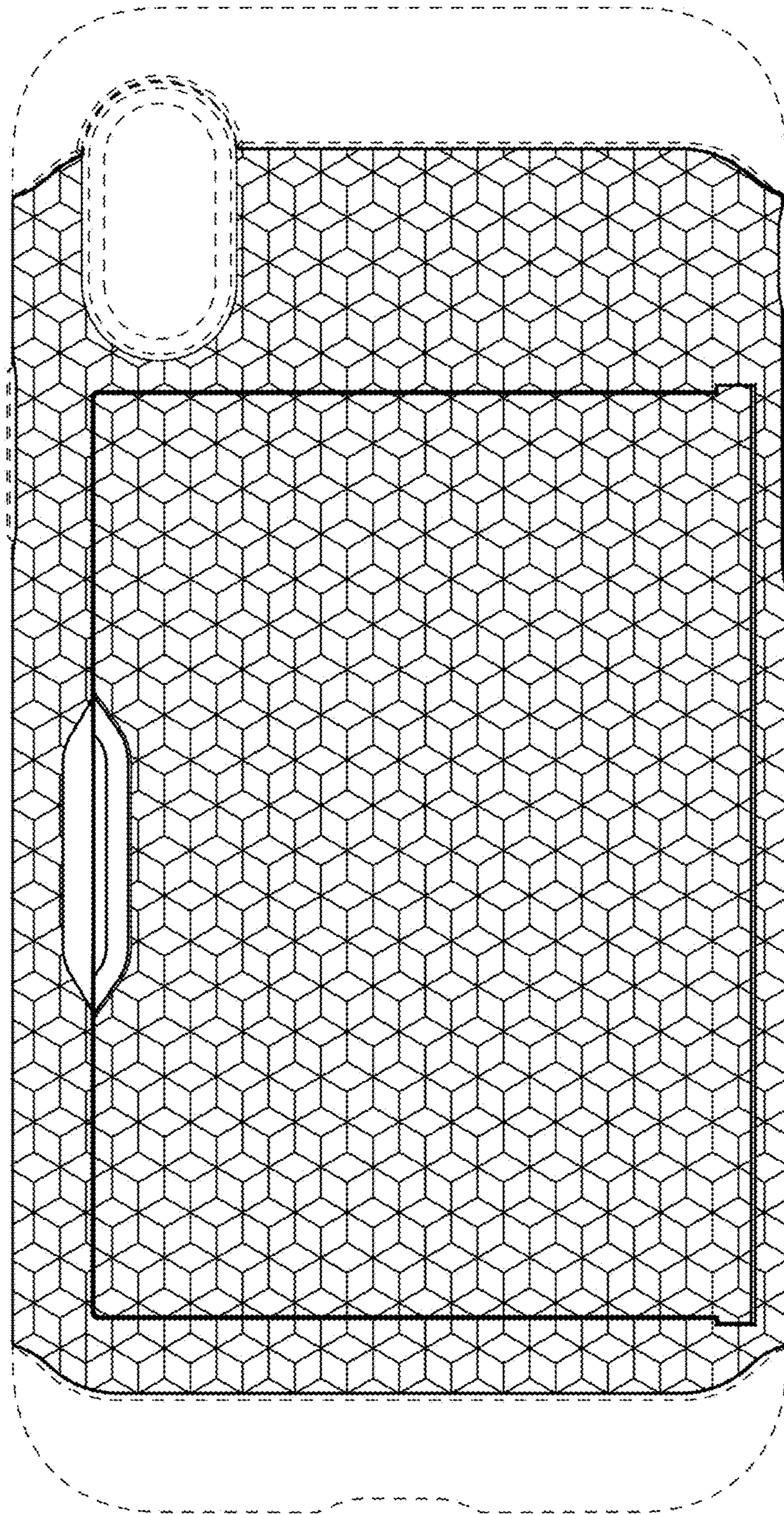


FIG. 5

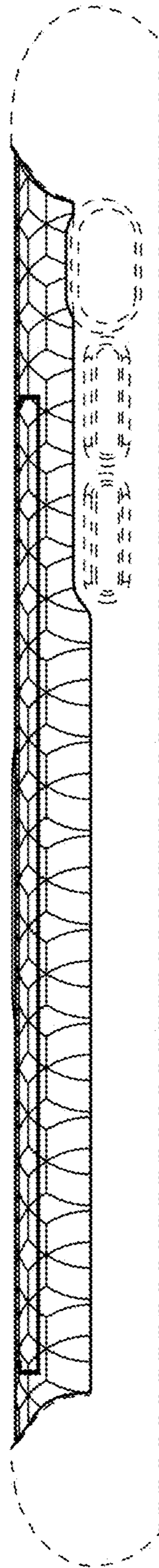


FIG. 6

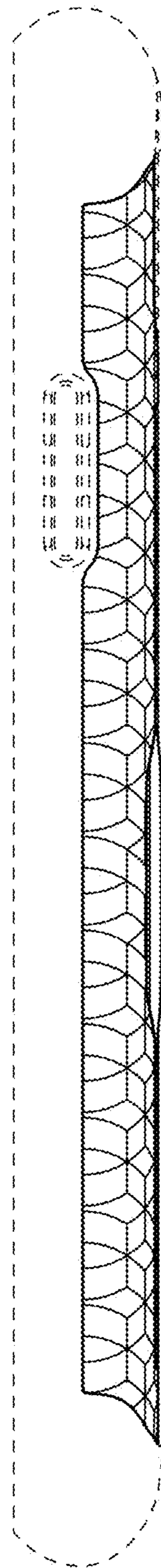


FIG. 7

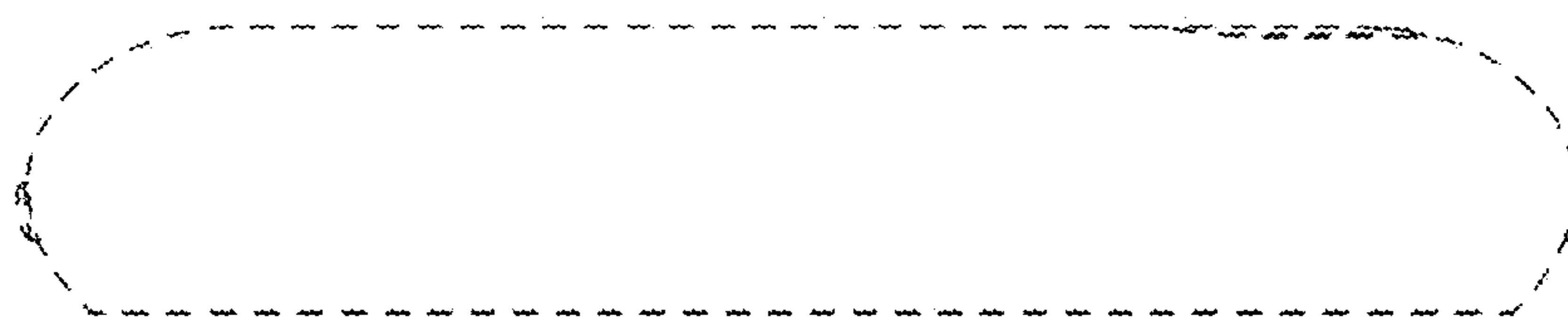


FIG. 8

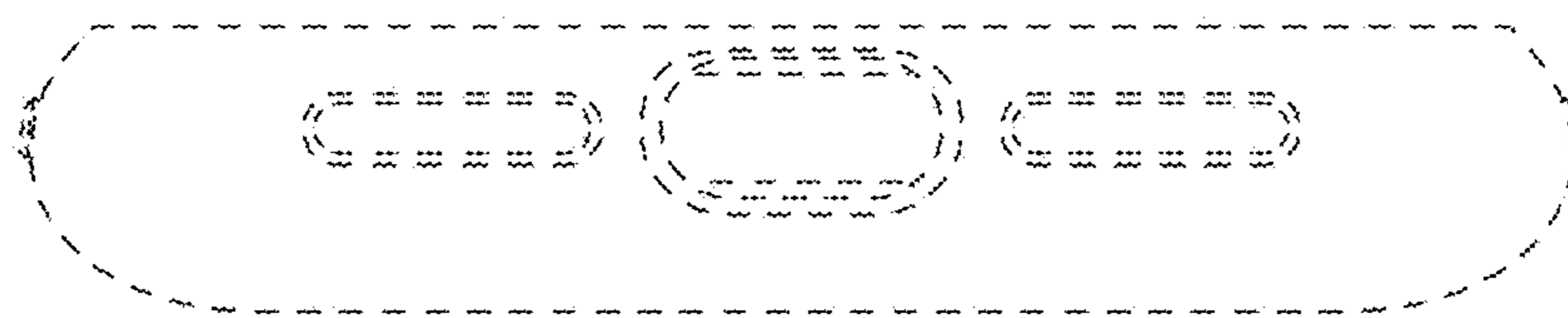


FIG. 9

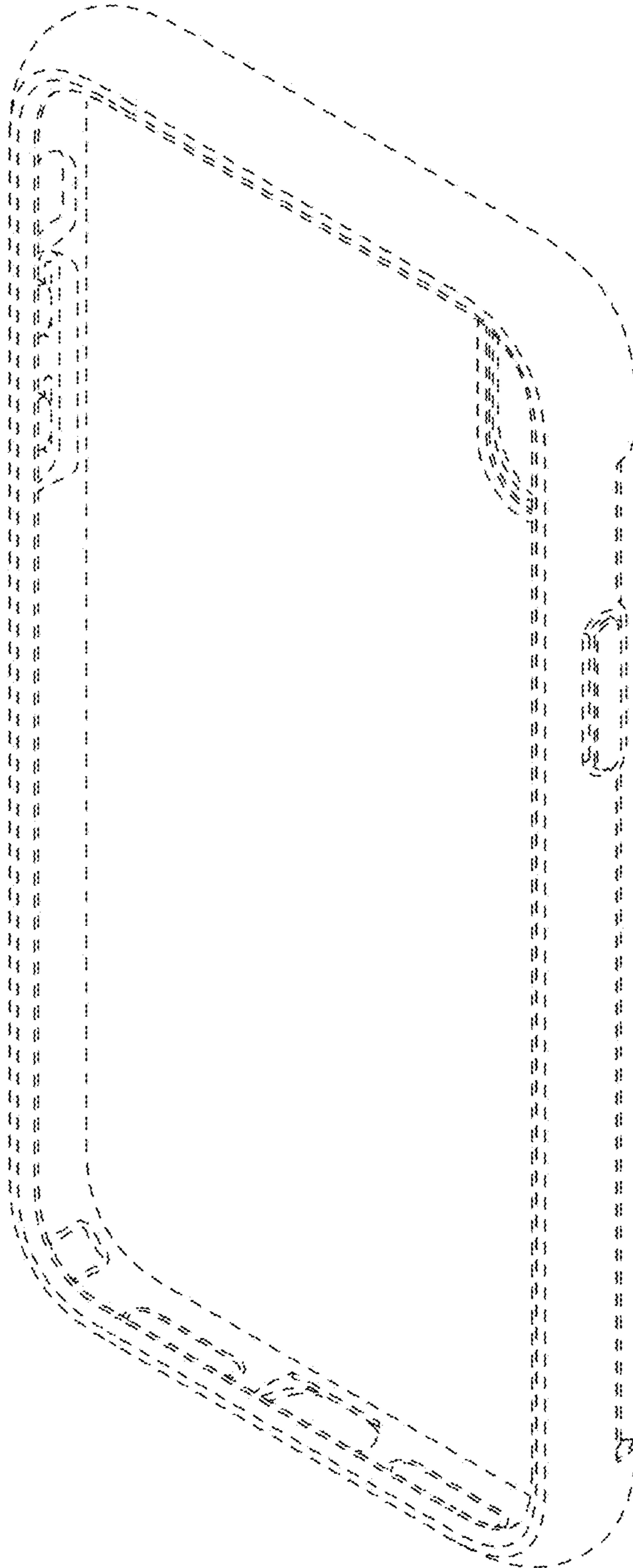


FIG. 10

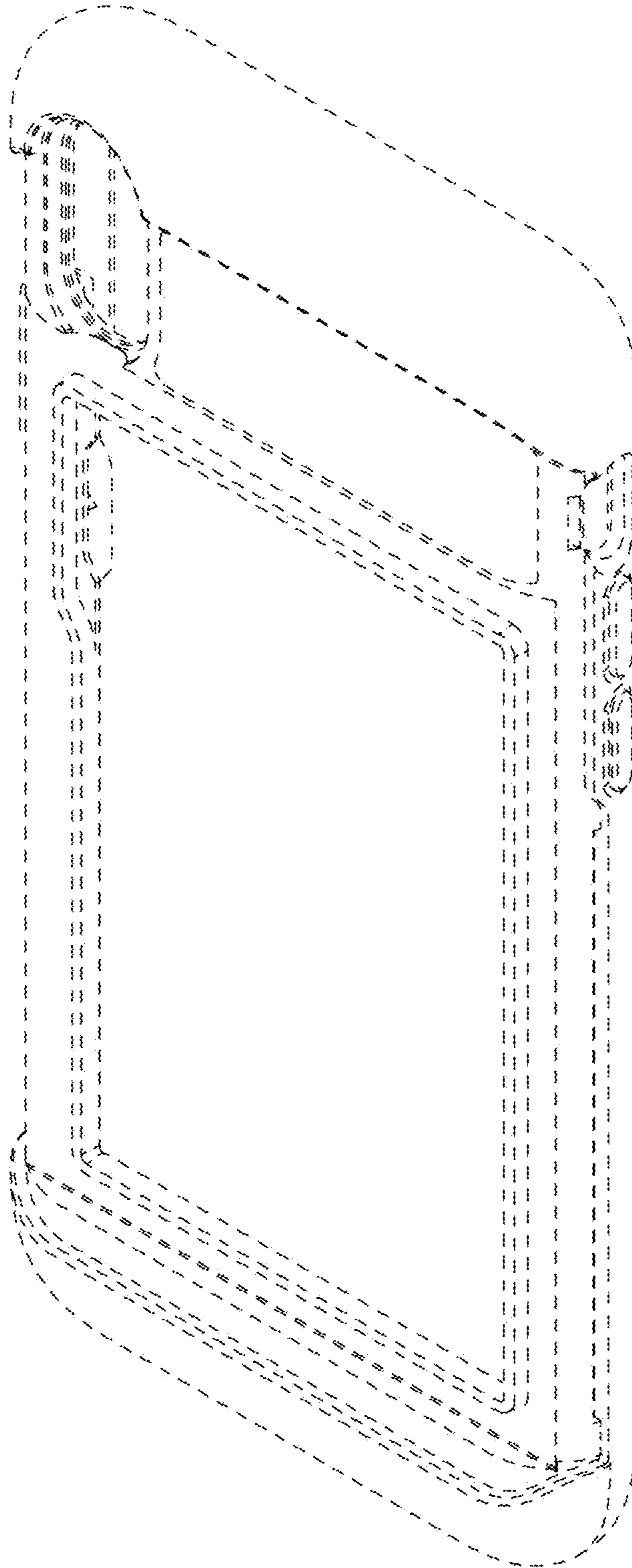


FIG. 11

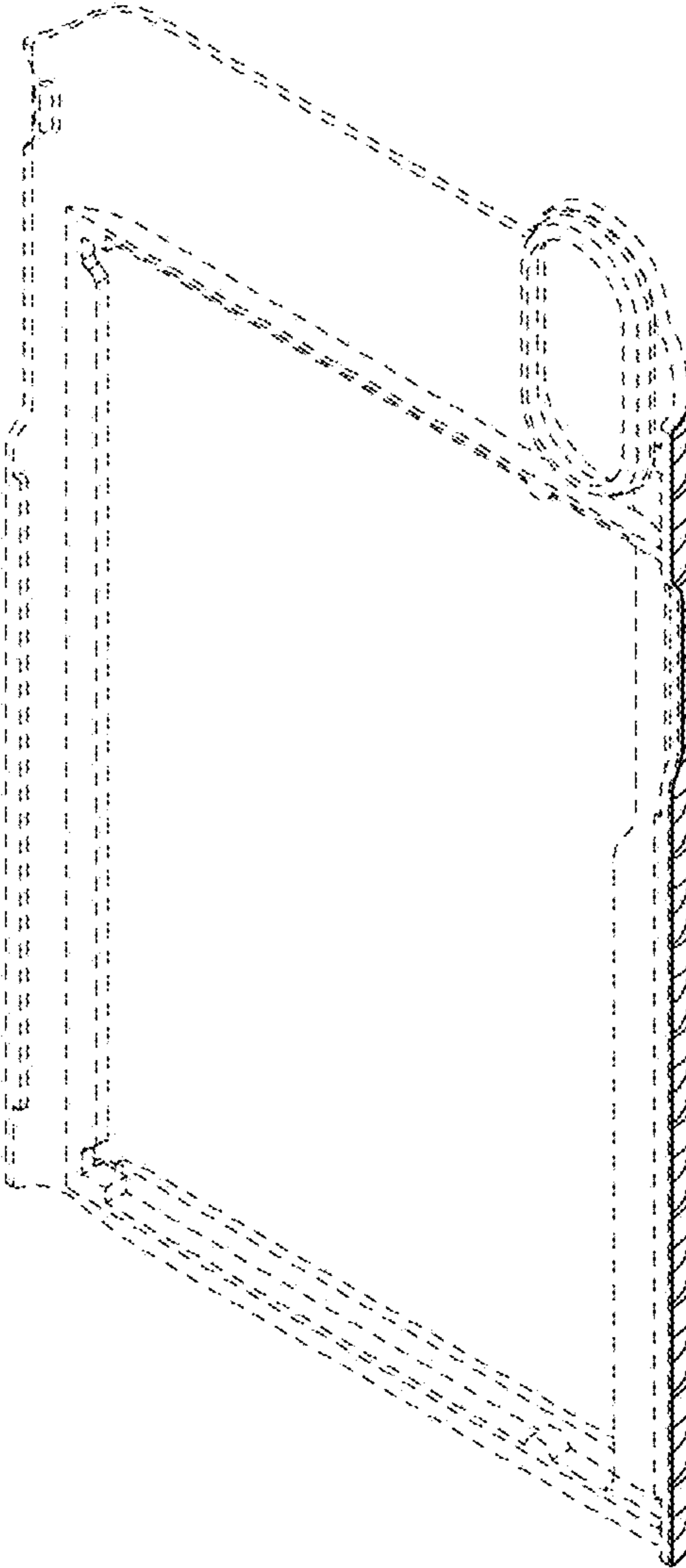


FIG. 12

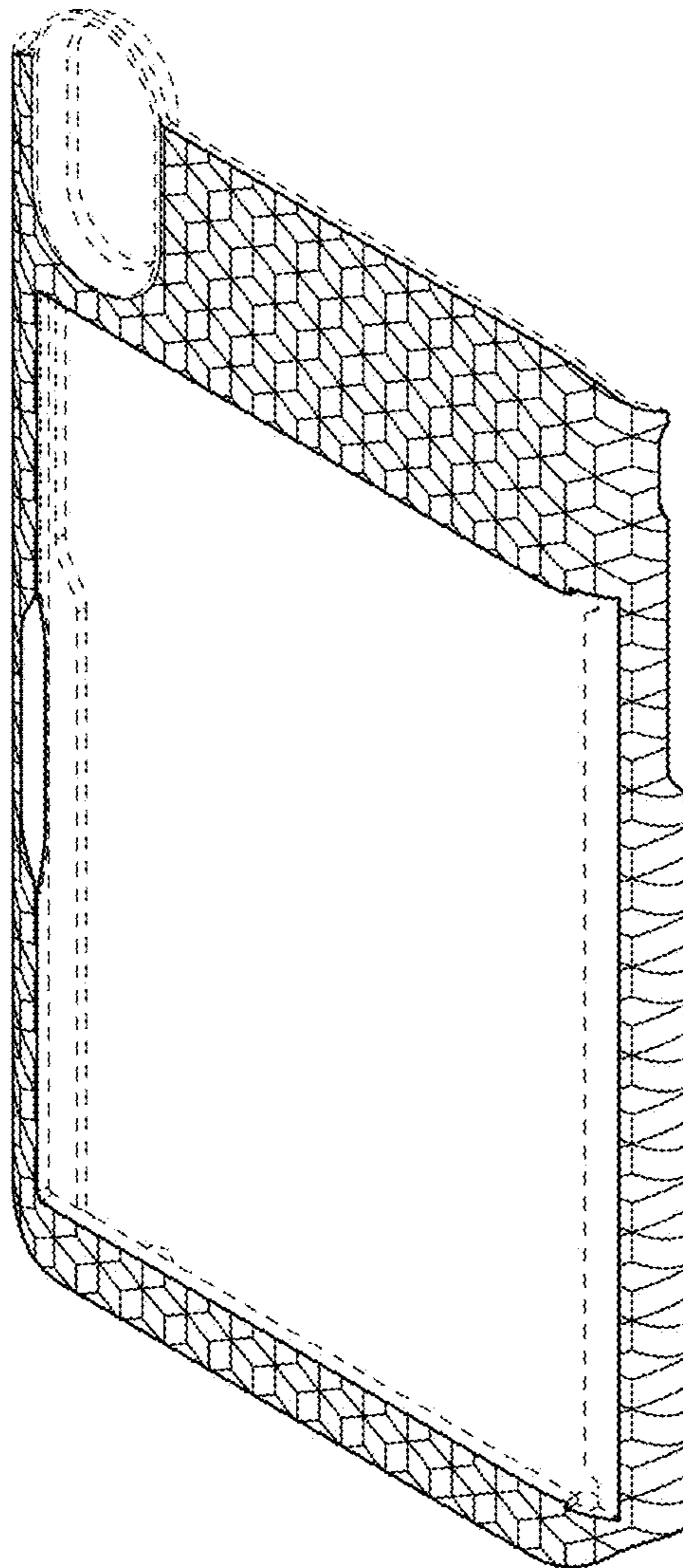


FIG. 13

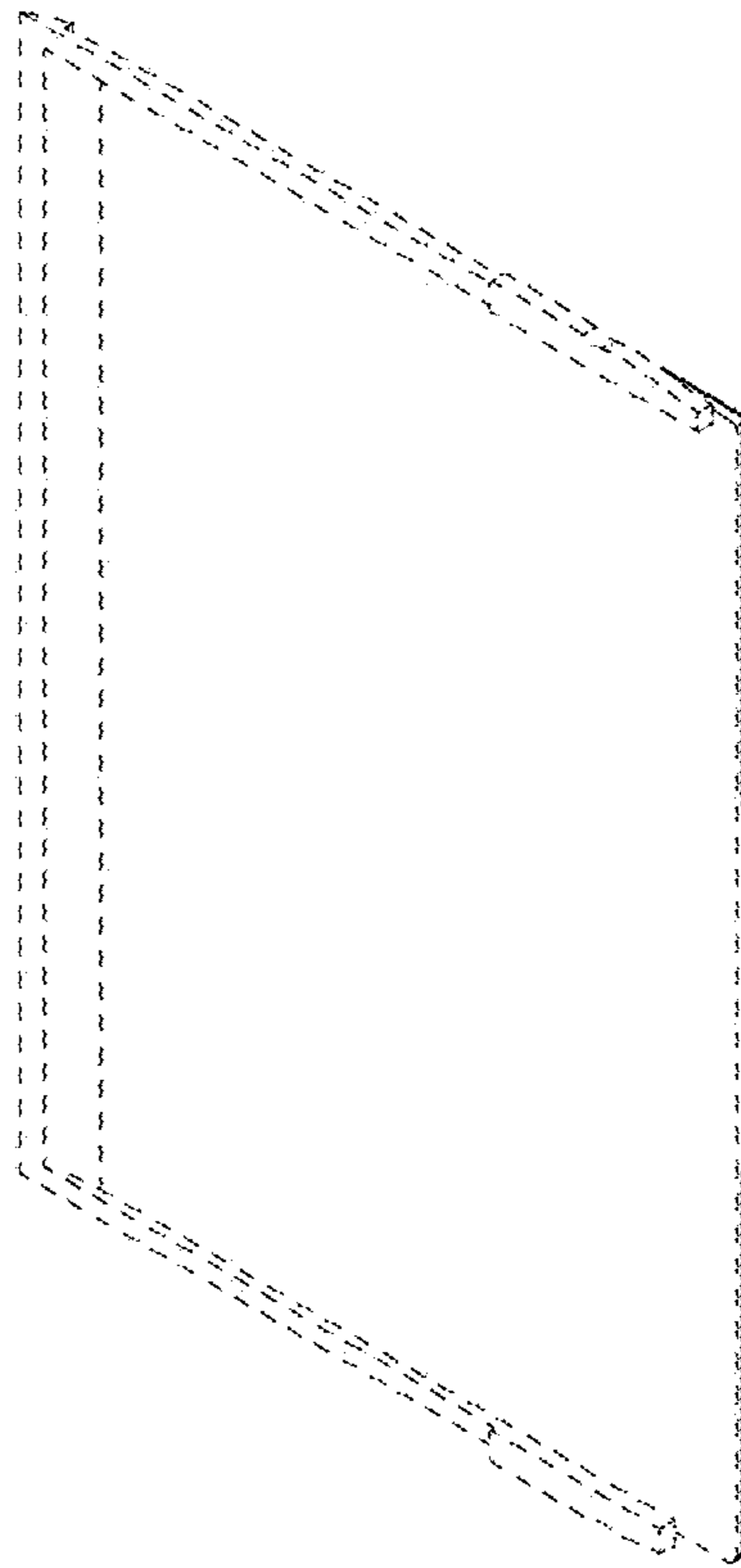


FIG. 14

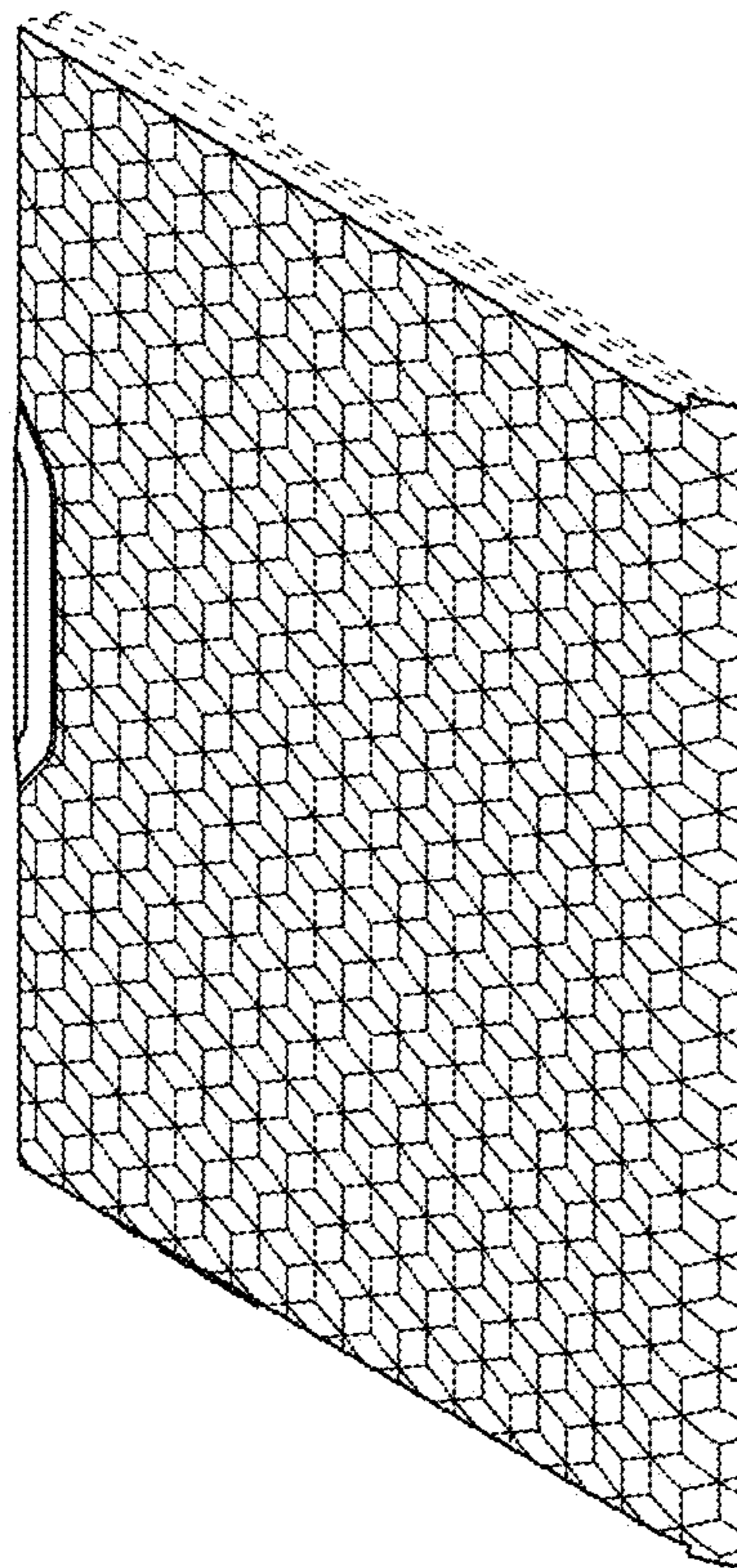


FIG. 15

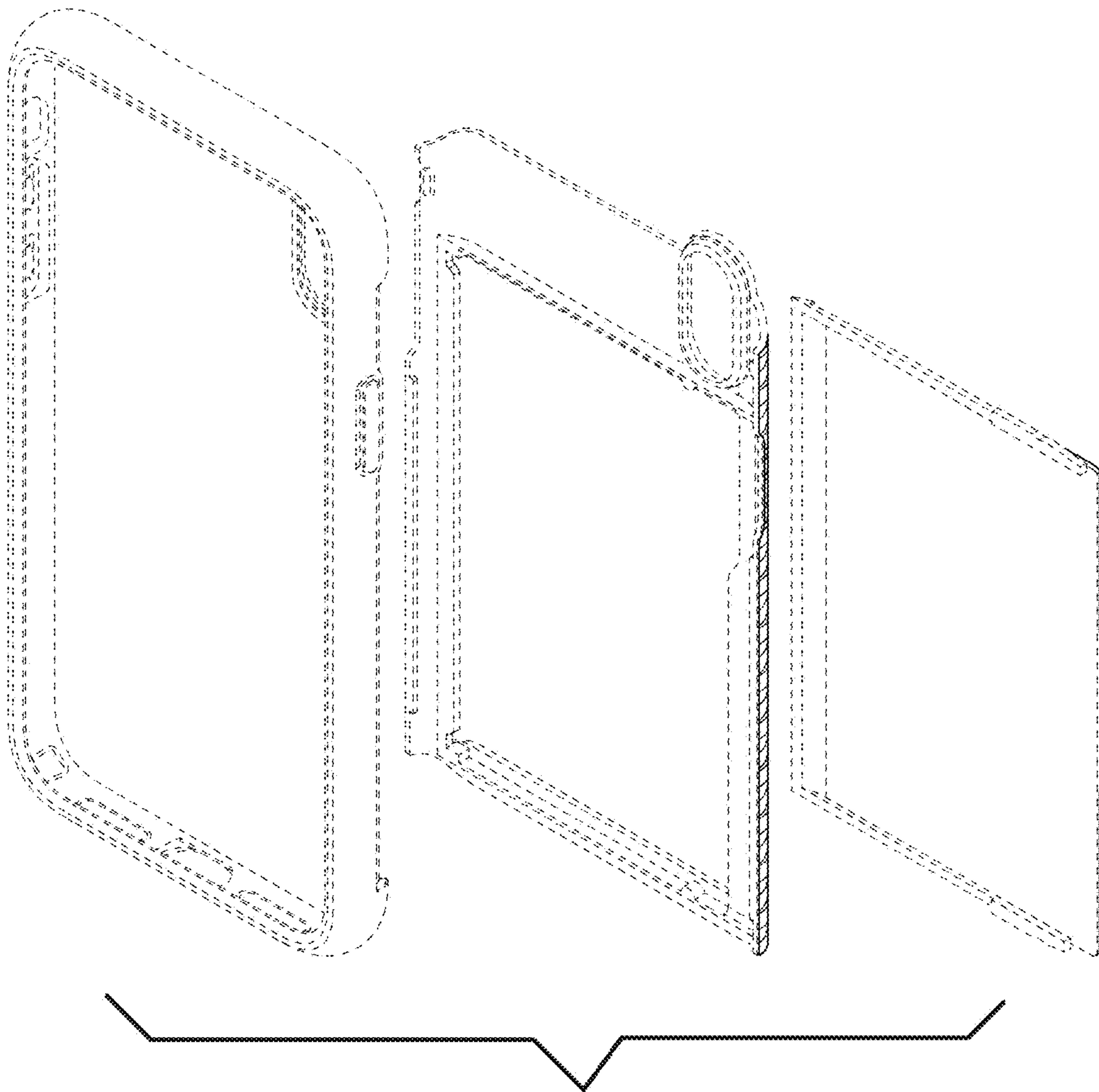


FIG. 16

