



US00D906314S

(12) **United States Design Patent** (10) **Patent No.:** **US D906,314 S**
Kim (45) **Date of Patent:** **** Dec. 29, 2020**

(54) **CASE FOR ELECTRONIC COMMUNICATIONS DEVICE**

(71) Applicant: **SPIGEN KOREA CO., LTD.**, Seoul (KR)

(72) Inventor: **Ji Hyun Kim**, Seoul (KR)

(73) Assignee: **SPIGEN KOREA CO., LTD.**, Seoul (KR)

(**) Term: **15 Years**

(21) Appl. No.: **29/689,624**

(22) Filed: **Apr. 30, 2019**

(30) **Foreign Application Priority Data**

Oct. 31, 2018 (EM) 005813821-0001

(51) **LOC (12) Cl.** **14-03**

(52) **U.S. Cl.**
USPC **D14/250**

(58) **Field of Classification Search**

USPC D14/250, 203.3–203.7, 439, 238.1, 440,
D14/251–253, 447, 217, 240, 248;
D3/201, 218, 247, 269, 273, 301, 303;
D13/103, 119, 107–108

CPC H04B 1/3888; H04M 1/0283; H04M
1/0202; A45C 1/06; A45C 11/00; A45C
13/02; A45C 2011/002; A45F 2005/026;
A45F 2200/0525; A45F 2200/0516

See application file for complete search history.

(56) **References Cited**

U.S. PATENT DOCUMENTS

D357,918 S * 5/1995 Doria D14/218
D575,056 S 8/2008 Tan
D606,305 S * 12/2009 Lee D3/269
D609,672 S 2/2010 Lee

(Continued)

OTHER PUBLICATIONS

“Caseology Vault for Apple iPhone 8 Case (2017) / for iPhone 7 Case (2016)—Rugged & Flexible—Matte Black”, <https://www.amazon.com/dp/B01JSZOJ7M>, Earliest review date of Sep. 10, 2016, Downloaded on Jan. 16, 2020.

(Continued)

Primary Examiner — Carla J Wright

(74) *Attorney, Agent, or Firm* — Heedong Chae; Lucem, PC

(57) **CLAIM**

The ornamental design for a case for electronic communications device, as shown and described.

DESCRIPTION

FIG. 1 is a rear perspective view of a case for electronic communications device showing my new design;

FIG. 2 is a front perspective view thereof;

FIG. 3 is a front elevational view thereof;

FIG. 4 is a rear elevational view thereof;

FIG. 5 is a left side elevational view thereof;

FIG. 6 is a right side elevational view thereof;

FIG. 7 is a top plan view thereof;

FIG. 8 is a bottom plan view thereof;

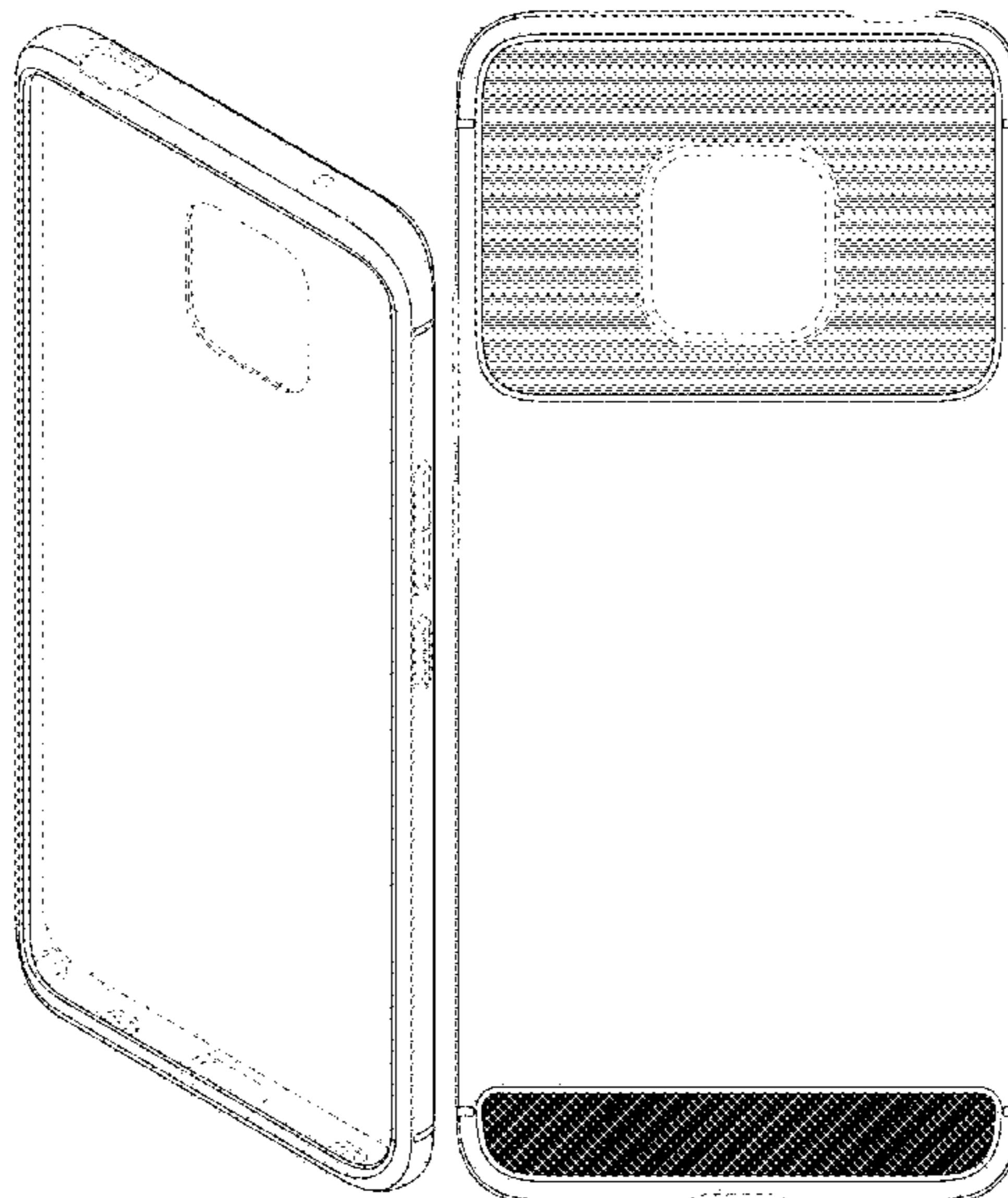
FIG. 9 is an enlarged detail view of the upper encircled region of FIG. 1;

FIG. 10 is an enlarged detail view of the lower encircled region of FIG. 1; and,

FIG. 11 is an enlarged detail view of the encircled region of FIG. 5.

The dot-dash broken line circles in FIGS. 1, 5, 9, and 10, and 11 delineate portions of the case that are part of the claimed design and shown on an enlarged scale in FIGS. 9, 10, and 11. The dashed broken lines, regions bounded by dashed broken lines, and the interior of the case shown in FIGS. 2 and 3 form no part of the claimed design.

1 Claim, 11 Drawing Sheets



(56)

References Cited

U.S. PATENT DOCUMENTS

- | | | | |
|--------------|---------|--------------------|-----------|
| D619,361 S | 7/2010 | Andre et al. | |
| D632,685 S | 2/2011 | Richardson | |
| D643,029 S | 8/2011 | Feng | |
| D644,216 S * | 8/2011 | Richardson | D14/250 |
| D646,265 S | 10/2011 | Fathollahi | |
| D648,332 S | 11/2011 | Kim et al. | |
| D650,371 S | 12/2011 | Wibby | |
| D654,485 S | 2/2012 | Chang et al. | |
| D654,491 S | 2/2012 | Melanson et al. | |
| D655,281 S | 3/2012 | Turocy | |
| D655,287 S | 3/2012 | de Jong et al. | |
| D657,782 S | 4/2012 | Biller | |
| D663,297 S | 7/2012 | de Jong et al. | |
| D664,133 S | 7/2012 | Zheng | |
| D666,824 S * | 9/2012 | Phillips | D3/303 |
| D669,071 S | 10/2012 | Akana et al. | |
| D671,930 S | 12/2012 | Akana et al. | |
| D672,739 S * | 12/2012 | Sin | D14/138 G |
| D673,547 S | 1/2013 | Melanson | |
| D673,940 S * | 1/2013 | Chang | D14/250 |
| D674,369 S | 1/2013 | JaeWoong | |
| D676,036 S | 2/2013 | Chang | |
| D676,844 S | 2/2013 | Weller | |
| D677,249 S | 3/2013 | Li | |
| D678,328 S | 3/2013 | Lee et al. | |
| D678,907 S | 3/2013 | Lee | |
| D679,271 S | 4/2013 | Liu | |
| D679,685 S | 4/2013 | Cox | |
| D679,690 S | 4/2013 | Fahrendorff et al. | |
| D679,692 S | 4/2013 | Fahrendorff et al. | |
| D679,697 S | 4/2013 | Murchison | |
| D679,698 S | 4/2013 | Murchison | |
| D681,022 S | 4/2013 | Chang | |
| D681,615 S | 5/2013 | Fathollahi | |
| D681,617 S | 5/2013 | Weller et al. | |
| D683,340 S | 5/2013 | Chang et al. | |
| D683,723 S | 6/2013 | Murchison | |
| D684,568 S | 6/2013 | Fitzgerald | |
| D684,960 S | 6/2013 | Murchison | |
| D685,357 S * | 7/2013 | Rekuc | D14/250 |
| D685,740 S * | 7/2013 | Moore | D13/119 |
| D685,776 S | 7/2013 | Bau | |
| D687,425 S | 8/2013 | Fahrendorff et al. | |
| D691,122 S | 10/2013 | Bau | |
| D691,124 S | 10/2013 | Yang | |
| D691,601 S | 10/2013 | Murchison et al. | |
| D692,418 S | 10/2013 | Fahrendorff et al. | |
| D697,905 S | 1/2014 | Chang | |
| D698,767 S | 2/2014 | Son | |
| D700,174 S | 2/2014 | Li | |
| D703,652 S | 4/2014 | Melanson | |
| D704,688 S | 5/2014 | Reivo | |
| D706,254 S | 6/2014 | Chang | |
| D712,386 S | 9/2014 | Lu | |
| D714,273 S | 9/2014 | Kim et al. | |
| D714,274 S | 9/2014 | Jung | |
| D714,276 S | 9/2014 | Hu | |
| D716,281 S | 10/2014 | Melanson et al. | |
| D716,282 S | 10/2014 | Melanson et al. | |
| D716,783 S * | 11/2014 | Loncar | D14/250 |
| D717,286 S | 11/2014 | Veldkamp | |
| D717,774 S | 11/2014 | Fathollahi | |
| D717,778 S | 11/2014 | Zermeno | |
| D718,292 S | 11/2014 | Hemesath | |
| D721,065 S | 1/2015 | Yoon | |
| D721,067 S | 1/2015 | Su | |
| D721,070 S | 1/2015 | Pickett | |
| D727,303 S * | 4/2015 | Sin | D14/248 |
| D727,883 S | 4/2015 | Brand | |
| D727,886 S | 4/2015 | Bertrand et al. | |
| 9,004,275 B2 | 4/2015 | Lee | |
| D731,472 S | 6/2015 | Lee | |
| D731,481 S | 6/2015 | Akana et al. | |
| D732,012 S | 6/2015 | Tsai | |
| D734,747 S | 7/2015 | Seo et al. | |
| D737,263 S * | 8/2015 | Armstrong | D14/250 |
| 9,143,181 B1 | 9/2015 | Jia | |
| D741,845 S | 10/2015 | Kim | |
| D743,389 S | 11/2015 | Akana | |
| D746,273 S | 12/2015 | Herbst | |
| D746,274 S | 12/2015 | Herbst | |
| D746,275 S | 12/2015 | Mohammad | |
| 9,223,346 B2 | 12/2015 | Wilson | |
| D748,614 S | 2/2016 | Ju | |
| D749,068 S | 2/2016 | Zaborski et al. | |
| D749,535 S | 2/2016 | Joung et al. | |
| D749,555 S | 2/2016 | Poon et al. | |
| D749,557 S | 2/2016 | Feng | |
| 9,247,795 B2 | 2/2016 | Kim | |
| D751,058 S | 3/2016 | Cocchia | |
| 9,288,295 B2 | 3/2016 | Ivanovski | |
| 9,293,808 B1 | 3/2016 | Roberts | |
| D753,099 S | 4/2016 | Kim | |
| D756,340 S | 5/2016 | Babichenko | |
| D756,343 S | 5/2016 | Wall | |
| D756,909 S | 5/2016 | Gupta | |
| D756,910 S | 5/2016 | Gupta | |
| D756,911 S | 5/2016 | Gupta | |
| D757,699 S | 5/2016 | Lee | |
| D761,239 S | 7/2016 | Kim | |
| D762,205 S | 7/2016 | Dang | |
| D763,241 S | 8/2016 | Kim | |
| D763,242 S | 8/2016 | Kim | |
| D763,837 S | 8/2016 | Choe et al. | |
| D763,841 S | 8/2016 | Kim | |
| D763,842 S | 8/2016 | Chang et al. | |
| D764,476 S | 8/2016 | Gleason, III | |
| D765,067 S | 8/2016 | Choe et al. | |
| D765,627 S | 9/2016 | Watt | |
| D765,635 S | 9/2016 | Chang et al. | |
| D765,638 S | 9/2016 | Gaylord et al. | |
| D765,640 S | 9/2016 | Bulkley et al. | |
| D765,641 S | 9/2016 | Bulkley et al. | |
| D765,642 S | 9/2016 | Bulkley | |
| D765,644 S | 9/2016 | Witter | |
| D765,645 S | 9/2016 | Kim | |
| D767,485 S | 9/2016 | To et al. | |
| D767,553 S | 9/2016 | Fathollahi | |
| D771,607 S | 11/2016 | Kim | |
| D771,608 S | 11/2016 | Kim | |
| D771,611 S | 11/2016 | Chang et al. | |
| D772,209 S | 11/2016 | Kim | |
| D772,854 S | 11/2016 | Igarashi | |
| D772,858 S | 11/2016 | Hu | |
| 9,480,318 B2 | 11/2016 | Stiehl | |
| 9,480,319 B2 | 11/2016 | Dining et al. | |
| D774,498 S | 12/2016 | Tao | |
| D775,112 S | 12/2016 | Hemesath | |
| D775,614 S | 1/2017 | Kim | |
| D776,647 S | 1/2017 | Kim | |
| D777,157 S | 1/2017 | Kim | |
| D777,160 S | 1/2017 | Kim | |
| D777,717 S | 1/2017 | Kim | |
| D779,470 S | 2/2017 | Kim | |
| D781,835 S | 3/2017 | Kim et al. | |
| D781,837 S | 3/2017 | Kim | |
| D781,838 S * | 3/2017 | Kim | D14/250 |
| D781,840 S | 3/2017 | Kim et al. | |
| D782,453 S * | 3/2017 | Kim | D14/248 |
| D782,457 S | 3/2017 | Park et al. | |
| D783,602 S * | 4/2017 | Akana | D14/341 |
| D784,309 S | 4/2017 | Lee et al. | |
| 9,628,133 B2 | 4/2017 | Kim | |
| D785,615 S | 5/2017 | Kim et al. | |
| D786,849 S | 5/2017 | Park et al. | |
| D788,093 S | 5/2017 | Lee et al. | |
| 9,661,116 B1 | 5/2017 | Chung | |
| D792,394 S | 7/2017 | Lee et al. | |
| D795,237 S | 8/2017 | Jung et al. | |
| D797,715 S | 9/2017 | Kim | |
| D798,286 S | 9/2017 | Roberts et al. | |
| D801,325 S * | 10/2017 | Kim | D14/250 |
| D810,064 S | 2/2018 | Kim | |
| D816,073 S * | 4/2018 | Kim | D14/250 |

(56)

References Cited

U.S. PATENT DOCUMENTS

D823,297	S *	7/2018	Kim	D14/250
D832,833	S *	11/2018	Kim	D14/250
D836,095	S *	12/2018	Kim	D14/250
D840,992	S	2/2019	Kim		
D844,555	S *	4/2019	McLean	D13/103
D853,371	S *	7/2019	Wei	D14/250
D853,372	S *	7/2019	Kim	D14/250
2011/0050606	A1	3/2011	Zhang		
2012/0217174	A1 *	8/2012	Ting	G06F 1/1628 206/45.2
2014/0357330	A1	12/2014	Lin		
2015/0053583	A1	2/2015	McCormick		
2015/0189963	A1	7/2015	Lai		
2016/0094263	A1 *	3/2016	Fathollahi	H04B 1/3888 455/575.8
2016/0101902	A1	4/2016	Kim		
2016/0204817	A1	7/2016	Kim		
2016/0285301	A1	9/2016	Kim		
2017/0123217	A1	5/2017	Dukerschein		

OTHER PUBLICATIONS

“The best iPhone 7 & 7 Plus cases available now”, <https://9to5mac.com/2016/09/07/best-iphone-7-7-plus-cases-accessories-available-now/>, Earliest review date of Sep. 17, 2016, Downloaded on Mar. 18, 2020.

“Caseology Vault for Google Pixel Case (2016)—Rugged & Flexible—Black”, <https://www.amazon.com/dp/B01MEDIMGS>, Earliest review date of Nov. 10, 2016, Downloaded on Jan. 16, 2020.

“Caseology Vault for Apple iPhone 7 Plus Case (2016)—Rugged Matte Finish—Black”, <https://www.amazon.com/dp/B01N2OCQV4>, Earliest review date of Dec. 16 2016, Downloaded on Jan. 16, 2020.

“Caseology Vault for LG G6 Case (2017)—Rugged Matte Finish—Black”, <https://www.amazon.com/dp/B06W52JLH>, Earliest review date of Mar. 28, 2017, Downloaded on Jan. 16, 2020.

“Caseology Nero Tough for iPhone 8 Plus Case (2017) / iPhone 7 Plus Case (2016)—360 Protection—Black”, <https://www.amazon.com/dp/B07534JMM2>, Earliest review date of Aug. 23, 2017, Downloaded on Nov. 19, 2019.

“Spigen Rugged Armor Galaxy S6 Case with Resilient Shock Absorption and Carbon Fiber Design for Galaxy S6 2015—Black”, <https://www.amazon.com/dp/B00T6P05ZK>, Earliest review date of Mar. 10, 2015, Downloaded on Jul. 17, 2018.

“Spigen Rugged Armor Galaxy S6 Edge Case with Flexible and Durable Shock Absorption with Carbon Fiber Design for Samsung Galaxy S6 Edge (2015)—Black”, <https://www.amazon.com/dp/B00SVCITWO>, Earliest review date of Mar. 13, 2015, Downloaded on Jul. 17, 2018.

“Spigen Rugged Armor Galaxy Note 5 Case with Resilient Shock Absorption and Carbon Fiber Design for Galaxy Note 5 2015—Black”, <https://www.amazon.com/dp/B010MWFUBY>, Earliest review date of Aug. 23, 2015, Downloaded on Jul. 17, 2018.

“Spigen Rugged Armor iPhone 6S Case with Resilient Shock Absorption and Carbon Fiber Design for iPhone 6S/ iPhone 6—Black”, <https://www.amazon.com/dp/B010MVJM5K>, Earliest review date of Sep. 3, 2015, Downloaded on Jul. 17, 2018.

“Spigen Rugged Armor iPhone 6S Plus Case with Resilient Shock Absorption and Carbon Fiber Design for iPhone 6S Plus 2015—Black”, <https://www.amazon.com/dp/B010MVR76Q>, Earliest review date of Sep. 7, 2015, Downloaded on Jul. 17, 2018.

“Spigen Tough Armor Tech iPhone 6S Case with Extreme Shock and Drop Protection for Apple iPhone 6 / 6S Gunmetal”, <https://www.amazon.com/Spigen-Tough-iPhone-Extreme-Protection/dp/B013TKNSIS>, Earliest review date of Oct. 3, 2015, Downloaded on Jan. 15, 2019.

“Spigen Rugged Armor Samsung Galaxy S7 Case with Resilient Shock Absorption and Carbon Fiber Design for Samsung Galaxy S7 2016—Black”, <https://www.amazon.com/Spigen-Rugged-Designed->

[Samsung-Galaxy/dp/B01A7ICWTQ](https://www.amazon.com/Spigen-Rugged-Designed-Samsung-Galaxy/dp/B01A7ICWTQ), Earliest review date of Feb. 25, 2016, Downloaded on Jul. 17, 2018.

“Spigen Rugged Armor Galaxy S7 Edge Case with Flexible and Durable Shock Absorption with Carbon Fiber Design for Samsung Galaxy S7 Edge (2016)—Black”, <https://www.amazon.com/Spigen-Rugged-Designed-Samsung-Galaxy/dp/B01A7IDHOU>, Earliest review date of Feb. 28, 2016, Downloaded on Jul. 17, 2018.

“Spigen Rugged Armor Galaxy A5 Case with Resilient Shock Absorption and Carbon Fiber Design for Galaxy A5 Black”, <https://www.amazon.com/Spigen-Rugged-Designed-Samsung-Galaxy/dp/B018J07A46>, Earliest review date of Mar. 18, 2016, Downloaded on Jul. 17, 2018.

“Spigen Rugged Armor iPhone SE Case with Resilient Shock Absorption and Carbon Fiber Design for iPhone SE 2016—Black”, <https://www.amazon.com/Spigen-Rugged-iPhone-Resilient-Absorption/dp/B01BEDNUDK>, Earliest review date of Apr. 10, 2016, Downloaded on Jan. 15, 2019.

“Spigen Rugged Armor Honor 5X Case with Resilient Shock Absorption and Carbon Fiber Design for Huawei Honor 5X—Black”, <https://www.amazon.com/Spigen-Rugged-Resilient-Absorption-Carbon/dp/B01DJHHXD2>, Earliest review date of May 1, 2016, Downloaded on Jan. 15, 2019.

“Spigen Rugged Armor HTC 10 Case with Resilient Shock Absorption and Carbon Fiber Design for HTC 10 2016—Black”, <https://www.amazon.com/dp/B01DAN1T4E>, Earliest review date of May 4, 2016, Downloaded on Jul. 18, 2018.

“Spigen Rugged Armor Huawei P8 Lite Case with Resilient Shock Absorption and Carbon Fiber Design for Huawei P8 Lite (2015)—Black”, <https://www.amazon.com/dp/B01DLODME6>, Earliest review date of Jun. 1, 2016, Downloaded on Jul. 18, 2018.

“Spigen Rugged Armor OnePlus 3 Case/OnePlus 3T Case with Resilient Shock Absorption and Carbon Fiber Design for OnePlus 3 2016—Black”, <https://www.amazon.com/dp/B01H3PEWDK>, Earliest review date of Jul. 28, 2016, Downloaded on Jul. 17, 2018.

“Spigen Rugged Armor iPhone 8 Case / iPhone 7 Case with Resilient Shock Absorption and Carbon Fiber Design for Apple iPhone 8 (2017) / iPhone 7 (2016)—Black”, <https://www.amazon.co.uk/Spigen-Rugged-iPhone-Resilient-Absorption/dp/B01GIVX7TA>, Earliest review date of Aug. 2, 2016, downloaded on Oct. 24, 2018.

“Spigen Rugged Armor iPhone 8 Plus/iPhone 7 Plus Case with Resilient Shock Absorption and Carbon Fiber Design for Apple iPhone 8 Plus (2017)/iPhone 7 Plus (2016)—Black”, <https://www.amazon.com/dp/B01GIWGAAC>, Earliest review date of Sep. 2, 2016, Downloaded on Jul. 17, 2018.

“Spigen Rugged Armor Huawei P9 Lite Case with Resilient Shock Absorption and Carbon Fiber Design for Huawei P9 Lite—Black”, <https://www.amazon.com/B01DLODJGM>, Earliest review date of Sep. 6, 2016, Downloaded on Jul. 18, 2018.

“Spigen Rugged Armor iPhone 8 Case/iPhone 7 Case with Resilient Shock Absorption and Carbon Fiber Design for Apple iPhone 8 (2017)/iPhone 7 (2016)—Black”, <https://www.amazon.com/dp/B01GIVX7TA>, Earliest review date of Sep. 11, 2016, Downloaded on Jul. 17, 2018.

“Spigen Rugged Armor Google Pixel XI Case with Resilient Shock Absorption and Carbon Fiber Design for Google Pixel XL 2016—Black”, <https://www.amazon.com/dp/B01M1EEXWJ>, Earliest review date of Oct. 2, 2016, Downloaded on Jul. 17, 2018.

“Spigen Rugged Armor LG V20 Case with Resilient Shock Absorption and Carbon Fiber Design for LG V20 2016 Black”, <https://www.amazon.com/dp/B01MOHW9P4>, Earliest review date of Oct. 19, 2016, Downloaded on Jul. 18, 2018.

“Spigen Rugged Armor Honor 8 Case with Resilient Shock Absorption for Huawei Honor 8 2016—Black”, <https://www.amazon.com/dp/B01LXTROW1>, Earliest review date of Oct. 20, 2016, Downloaded on Jul. 18, 2018.

“Spigen Rugged Armor Moto Z Droid Case with Resilient Shock Absorption and Carbon Fiber Design for Moto Z Droid 2016—Black”, <https://www.amazon.com/dp/B01HCACIMBQ>, Earliest review date of Dec. 9, 2016, Downloaded on Jul. 17, 2018.

“Spigen Rugged Armor Galaxy A3 2016 Case with Resilient Shock Absorption and Carbon Fiber Design for Galaxy A3 2016—Black”,

(56)

References Cited

OTHER PUBLICATIONS

<https://www.amazon.com/Spigen-Rugged-Armor-Samsung-Galaxy/dp/B01HFMYLIC>, Earliest review late of Dec. 18, 2016, Downloaded on Jul. 17, 2018.

“Spigen Rugged Armor ZenFone 3 Max Case (ZC520TL) with Resilient Shock Absorption and Carbon Fiber Design for Asus ZenFone 3 Max (ZC520TL)—Black”, <https://www.amazon.com/dp/B01MSDJ07C>, Earliest review date of Mar. 3, 2017, Downloaded on Jul. 18, 2018.

“Spigen Rugged Armor Extra Designed for LG G6 Case (2017) / Designed for Lg G6 Plus (2017)—Black”, <https://www.amazon.com/Spigen-Rugged-Resilient-Absorption-Carbon/dp/B01N6T9PHS>, Earliest review date of Mar. 28, 2017, Downloaded on Jan. 9, 2020.

“Spigen Rugged Armor LG G6 Case/G6 Plus Case with Resilient Shock Absorption and Carbon Fiber Design for LG 36/G6 Plus (2017)—Black”, <https://www.amazon.com/dp/B01MUCZILA>, Earliest review date of Mar. 30, 2017, Downloaded on Jul. 18, 2018.

“Spigen Rugged Armor Galaxy S8 Plus Case with Resilient Shock Absorption and Carbon Fiber Design for Galaxy S8 Plus (2017)—Black”, <https://www.amazon.com/Spigen-Rugged-Designed-Samsung-Galaxy/dp/B06XNW4ZVJ>, Earliest review date of Apr. 3, 2017, Downloaded on Jul. 17, 2018.

“Spigen Rugged Armor Galaxy S8 Case with Resilient Shock Absorption and Carbon Fiber Design for Samsung Galaxy S8 (2017)—Black”, <https://www.amazon.com/Spigen-Rugged-Designed-Samsung-Galaxy/dp/B06XNNJ4KM>, Earliest review date of Apr. 7, 2017, Downloaded on Jul. 17, 2018.

Spigen, “Spigen Rugged Armor Extra”, <https://www.youtube.com/watch?v=ILUEjn1P2hk>, Published May 26, 2017, downloaded on Jan. 9, 2020.

“Spigen Rugged Armor Huawei P10 Plus Case with Resilient Shock Absorption and Carbon Fiber Design for Huawei P10 Plus(2017)—Rugged Armor”, <https://www.amazon.com/dp/B06XFZW779>, Earliest review date of May 26, 2017, Downloaded on Jul. 18, 2018.

“Spigen Rugged Armor Galaxy J7 2017 Case, J7 Prime, J7 2017(AT &T), J7 Sky Pro, J7 Perx case with Resilient Shock Absorption and Carbon Fiber Design for Samsung Galaxy J7 V 2017—Black”, <https://www.amazon.com/Spigen-Rugged-Resilient-Absorption-Samsung/dp/B06WRRF36B>, Earliest review date of May 31, 2017, Downloaded on Jan. 15, 2019.

“Spigen Rugged Armor Huawei P10 Lite Case with Resilient Shock Absorption and Carbon Fiber Design for Huawei P10 Lite (2017)—Black”, <https://www.amazon.com/dp/B06XCNQ3S4>, Earliest review date of Jun. 7, 2017, Downloaded on Jul. 18, 2018.

“Spigen Rugged Armor Huawei P10 Case with Resilient Shock Absorption and Carbon Fiber Design for Huawei P10 (2017)—Black”, <https://www.amazon.com/dp/B06XCTQR1W>, Earliest review date of Jun. 8, 2017, Downloaded on Jul. 18, 2018.

“Spigen Rugged Armor HTC U11 Case with Resilient Shock Absorption and Carbon Fiber Design for HTC U 11 (2017)—Black”, <https://www.amazon.com/dp/B07234FLGX>, Earliest review date of Jun. 17, 2017, Downloaded on Jul. 18, 2018.

“Spigen Rugged Armor Huawei P8 Lite 2017 Case with Resilient Shock Absorption and Carbon Fiber Design for Huawei P8 Lite (2017)/nova lite/P9 lite 2017/Honor 8 lite—Black”, <https://www.amazon.com/dp/B06XFVXMLN>, Earliest review date of Jun. 24, 2017, Downloaded on Jul. 18, 2018.

“Spigen Rugged Armor Extra Galaxy Temp Case with Resilient Shock Absorption and Carbon Fiber Design for Galaxy Temp (2017)—Black”, <https://www.amazon.com/Spigen-Rugged-Galaxy-Resilient-Absorption/dp/B01MTEQVNB>, Earliest review date of Jul. 6, 2017, downloaded on Jan. 9, 2020.

“Spigen Rugged Armor Sony Xperia XZ Premium Case with Resilient Shock Absorption and Carbon Fiber Design for Sony Xperia XZ Premium (2017)—Black”, <https://www.amazon.com/dp/B072PRXPQC>, Earliest review date of Jul. 14, 2017, Downloaded on Jul. 18, 2018.

“Spigen Rugged Armor OnePlus 5 Case with Resilient Shock Absorption and Carbon Fiber Design for OnePlus 5 (2017)—

Black”, <https://www.amazon.com/dp/B06XG19W3G>, Earliest review date of Jul. 25, 2017, Downloaded on Jul. 17, 2018.

“Spigen Rugged Armor Moto Z2 Play Case with Resilient Shock Absorption and Carbon Fiber Design for Moto Z2 Play Black”, <https://www.amazon.com/dp/B071WR4H9V>, Earliest review date of Jul. 27, 2017, Downloaded on Jul. 17, 2018.

“Spigen Rugged Armor Galaxy Note 8 Case with Resilient Shock Absorption and Carbon Fiber Design for Galaxy Note 3 (2017)—Matte Black”, <https://www.amazon.com/Spigen-Rugged-Galaxy-Resilient-Absorption/dp/B073RWJ6Z7>, Earliest review date of Aug. 26, 2017, Downloaded on Jan. 15, 2019.

“Spigen Rugged Armor Galaxy Note 8 Case with Resilient Shock Absorption and Carbon Fiber Design for Galaxy Note 3 (2017)—Matte Black”, <https://www.amazon.com/Spigen-Rugged-Designed-Samsung-Galaxy/dp/B073RWJ6Z7>, Earliest review date of Aug. 26, 2017, Downloaded on Jul. 17, 2018.

“Spigen Rugged Armor Moto E4 Case with Resilient Shock Absorption and Carbon Fiber Design for Moto E4 (2017) Black”, <https://www.amazon.com/Spigen-Rugged-Armor-Designed-Motorola/dp/B073RVC6YY>, Earliest review date of Sep. 5, 2017, Downloaded on Jul. 17, 2018.

“Spigen Rugged Armor Extra Designed for Apple iPhone 7 Case (2016)—Black”, <https://www.amazon.com/Spigen-Rugged-iPhone-Resilient-Absorption/dp/B06XC8WL7P>, Earliest review date of Sep. 7, 2017, downloaded on Jan. 9, 2020.

“Spigen Rugged Armor Moto Z2 Force Case with Resilient Shock Absorption and Carbon Fiber Design for Moto Z2 Force (2017)—Black”, <https://www.amazon.com/Spigen-Rugged-Resilient-Absorption-Carbon/dp/B074BCC6K7>, Earliest review date of Sep. 23, 2017, downloaded on Jul. 17, 2018.

“Spigen Rugged Armor Designed for Apple iPhone XS Case (2018) / Designed for Apple iPhone X Case (2017)—Matte Black”, <https://www.amazon.com/Spigen-Rugged-Armor-Designed-iPhone/dp/B074CNF6YW>, Earliest review date of Sep. 28, 2017, Downloaded on Jan. 15, 2019.

“Spigen Rugged Armor iPhone X Case with Resilient Shock Absorption and Carbon Fiber Design for Apple iPhone X (2017)—Matte Black”, <https://www.amazon.com/dp/B074CNF6YW>, Earliest review date of Sep. 28, 2017, Downloaded on Jul. 17, 2018.

“Spigen Rugged Armor LG V30 with Resilient Shock Absorption and Carbon Fiber Design for LG V30 (2017)—Black”, <https://www.amazon.com/dp/B071JV1L9Z>, Earliest review date of Oct. 15, 2017, Downloaded on Jul. 17, 2018.

“Spigen Rugged Armor Google Pixel 2 Case with Resilient Shock Absorption and Carbon Fiber Design for Google Pixel 2 (2017)—Black”, <https://www.amazon.com/Spigen-Rugged-Google-Resilient-Absorption/dp/B07471C38C>, Earliest review date of Oct. 10, 2017, Downloaded on Jan. 5, 2019.

“Spigen Rugged Armor Google Pixel 2 Case with Resilient Shock Absorption and Carbon Fiber Design for Google Pixel 2 (2017)—Black”, <https://www.amazon.com/dp/B07471C38C>, Earliest review date of Oct. 10, 2017, Downloaded on Jul. 17, 2018.

“Spigen Rugged Armor Google Pixel 2 XL Case with Resilient Shock Absorption and Carbon Fiber Design for Google Pixel 2 XL (2017)—Black”, <https://www.amazon.com/Spigen-Rugged-Google-Resilient-Absorption/dp/B07475TXJ0>, Earliest review date of Oct. 11, 2017, Downloaded on Jan. 5, 2019.

“Spigen Rugged Armor Moto X4 Case with Resilient Shock Absorption and Carbon Fiber Design for Moto X4—Black”, <https://www.amazon.com/dp/B072N3WT4J>, Earliest review date of Oct. 22, 2017, Downloaded on Jul. 17, 2018.

“Spigen Rugged Armor Galaxy A8 (2016) Case with Resilient Shock Absorption and Carbon Fiber Design for Galaxy A8 (2016)—Black”, <https://www.amazon.com/dp/B01M26EX8X>, Earliest review date of Oct. 25, 2017, Downloaded on Jul. 17, 2018.

“Spigen Rugged Armor ZTE Axon 7 Case with Resilient Shock Absorption and Carbon Fiber Design for ZTE Axon 7—Black”, <https://www.amazon.com/dp/B01DCS2BQW>, Earliest review date of Nov. 22, 2017, Downloaded on Jul. 18, 2018.

“Spigen Rugged Armor Sony Xperia XZ1 Case with Resilient Shock Absorption and Carbon Fiber Design for Sony Xperia XZ1 (2017)—Black”, <https://www.amazon.com/dp/B075DRB8TX>, Earliest review date of Nov. 22, 2017, Downloaded on Jul. 18, 2018.

(56)

References Cited

OTHER PUBLICATIONS

“Spigen Rugged Armor Huawei Honor 7X Case/Huawei Mate SE Case with Resilient Shock Absorption and Carbon Fiber Design for Huawei Honor 7X (2017)/Huawei Mate Se (2018)—Black”, <https://www.amazon.com/dp/B076V3D2F5>, Earliest review date of Dec. 19, 2017, Downloaded on Jul. 18, 2018.

“Spigen Rugged Armor OnePlus 5T Case with Resilient Shock Absorption and Carbon Fiber Design for OnePlus 5T (2017)—Black”, <https://www.amazon.com/dp/B077H6RVD6>, Earliest review date of Dec. 25, 2017, Downloaded on Jan. 17, 2018.

“Spigen Rugged Armor Honor 9 Case with Resilient Shock Absorption and Carbon Fiber Design for Honor 9—Black”, <https://www.amazon.com/dp/B071GPHBFF>, Earliest review date of Jan. 21, 2018, Downloaded on Jul. 18, 2018.

“Spigen Rugged Armor Galaxy J3 Prime case/Galaxy J3 Luna Pro case/Galaxy J3 Emerge Case with Resilient Shock Absorption and Carbon Fiber Design for Galaxy J3 Emerge/Galaxy J3/J3 2017—Black”, <https://www.amazon.com/dp/B0746RC5BJ>, Earliest review date of Jan. 5, 2018, Downloaded on Jul. 17, 2018.

“Spigen Rugged Armor Honor 5X Case with Resilient Shock Absorption and Carbon Fiber Design for Huawei Honor 5X—Black”,

<https://www.amazon.com/dp/B01DJHDXD2>, Earliest review date of Jan. 22, 2018, Downloaded on Jul. 18, 2018.

“Spigen Rugged Armor Razer Phone Case with Flexible and Durable Shock Absorption with Carbon Fiber Design for Razer Phone (2017)—Black”, <https://www.amazon.com/dp/B078KJQH5V>, Earliest review date of Feb. 8, 2018, Downloaded on Jul. 17, 2018.

“Spigen Rugged Armor Galaxy S9 Case with Flexible and Durable Shock Absorption with Carbon Fiber Design for Samsung Galaxy S9 (2018)—Matte Black”, <https://www.amazon.com/dp/B078BJQMPG>, Earliest review date of Mar. 3, 2018, Downloaded on Jul. 17, 2018.

“Spigen Rugged Armor Galaxy S9 Plus Case with Flexible and Durable Shock Absorption with Carbon Fiber Design for Samsung Galaxy S9 Plus (2018)—Matte Black”, <https://www.amazon.com/dp/B0789S2MPW>, Earliest review date of Mar. 9, 2018, Downloaded on Jul. 17, 2018.

“Spigen Rugged Armor Mi A1 /Mi 5X Case with Flexible and Durable Shock Absorption with Carbon Fiber Design for Kiaomi Mi A1 /Mi Sx (2017)—Black”, <https://www.amazon.com/dp/B078Z531CZ>, Earliest review date of Mar. 19, 2018, Downloaded on Jul. 18, 2018.

* cited by examiner

FIG. 1

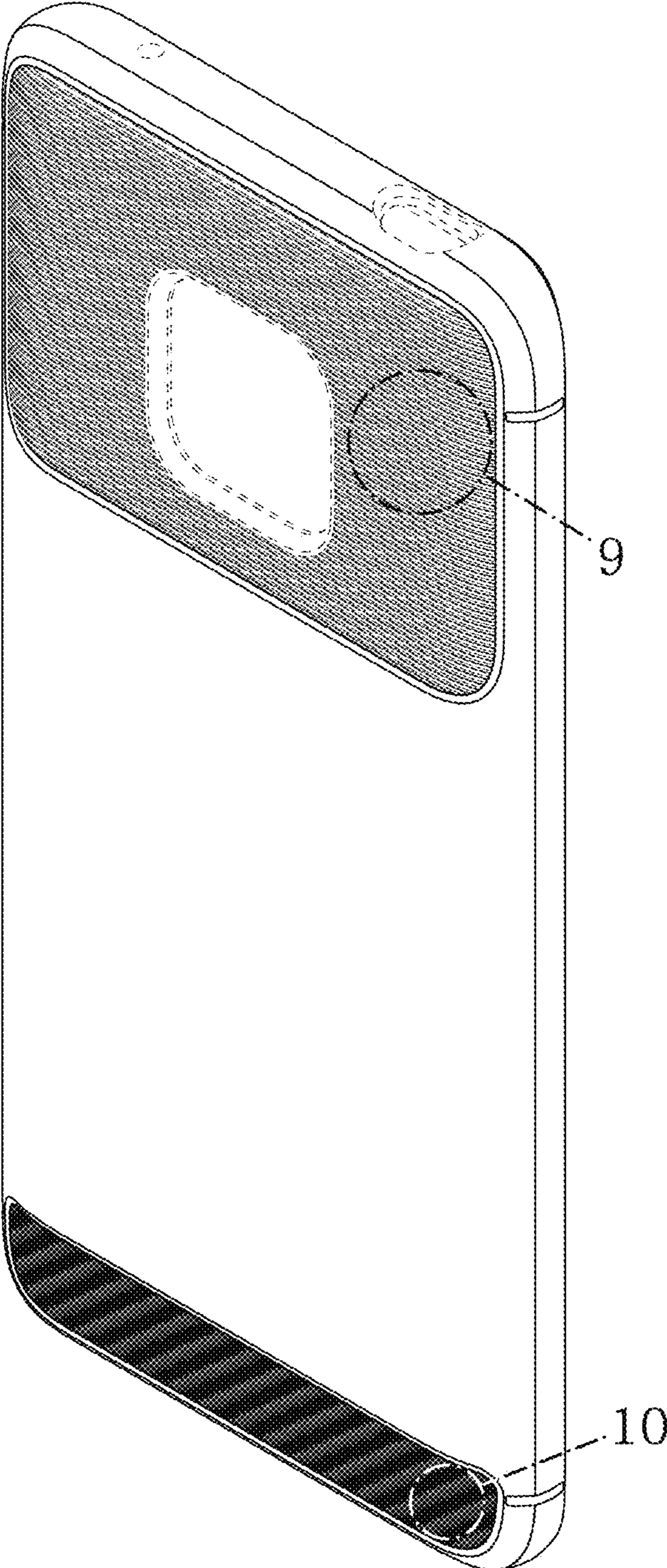


FIG. 2

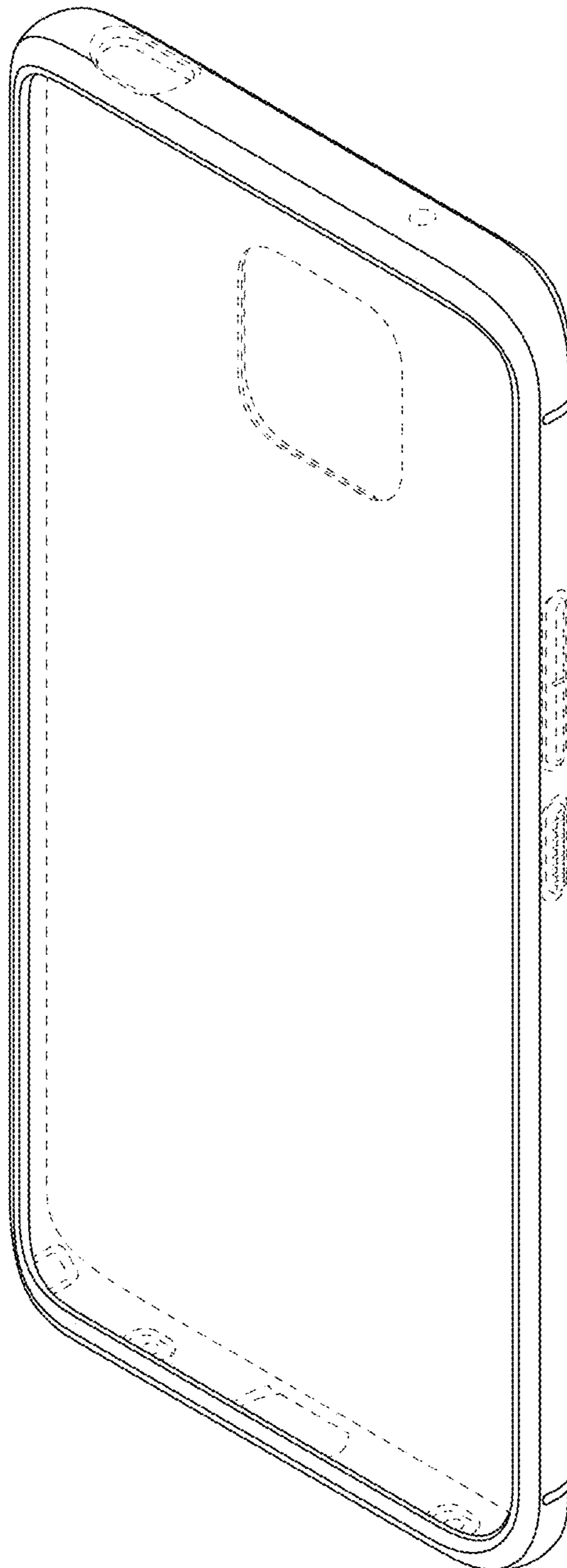


FIG. 3

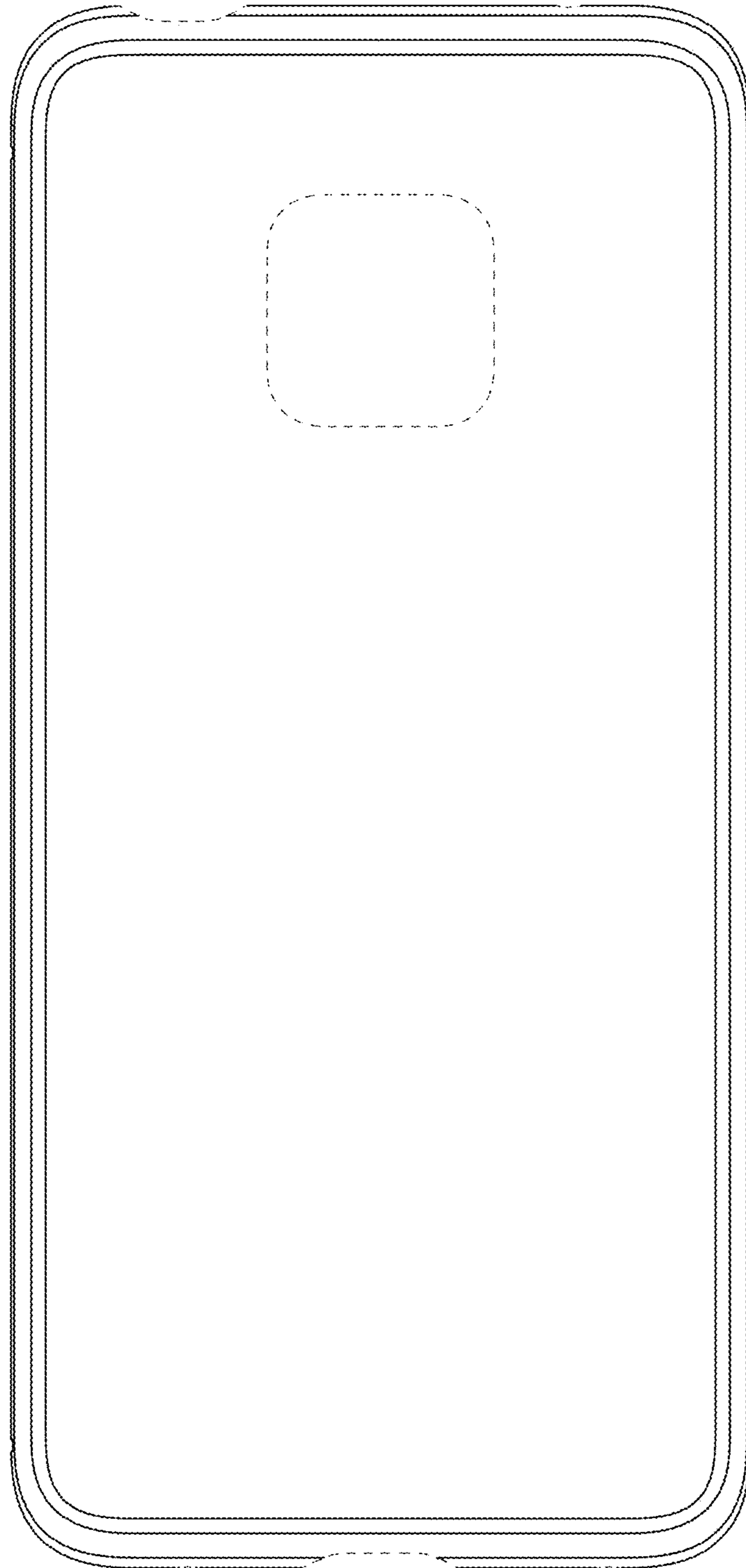


FIG. 4

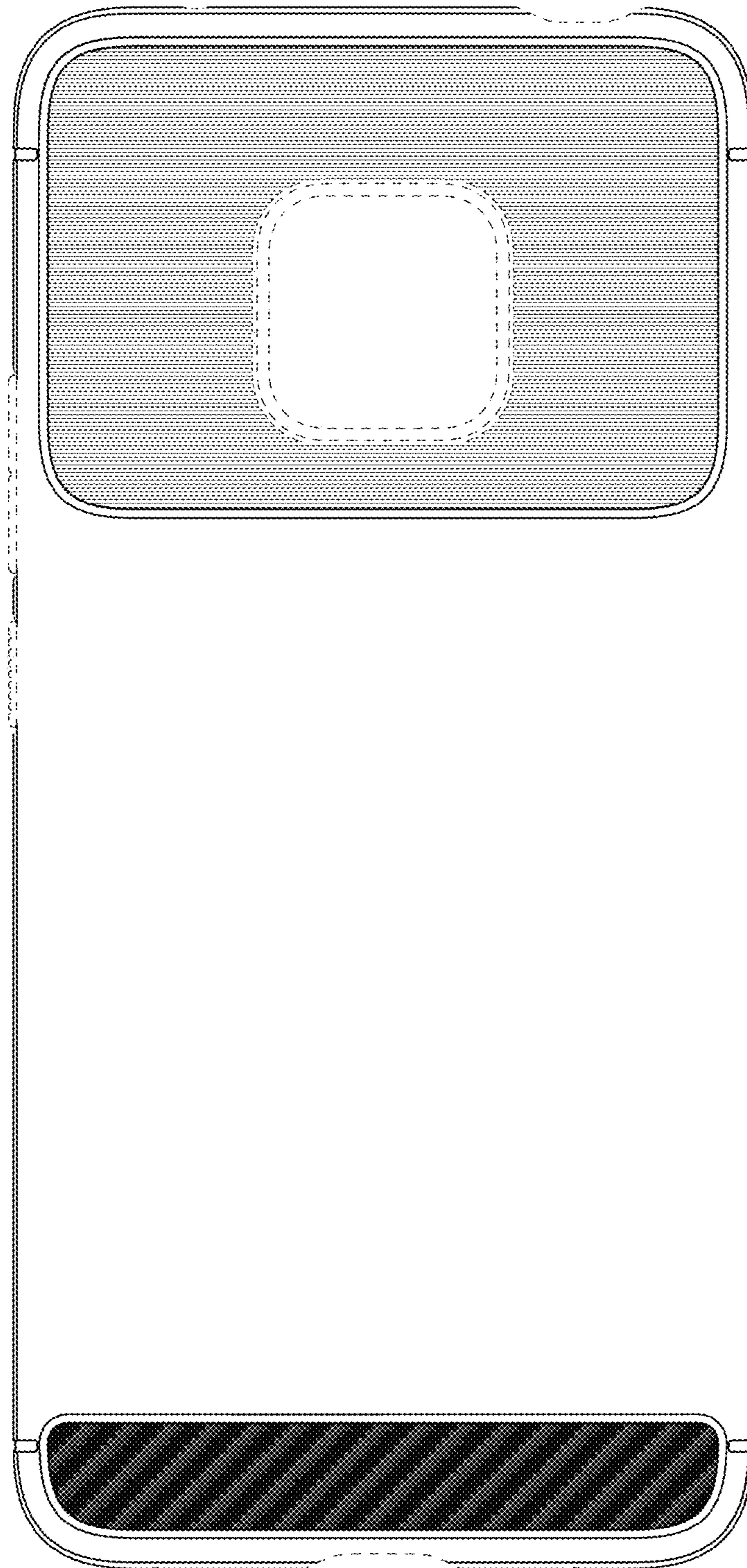


FIG. 5

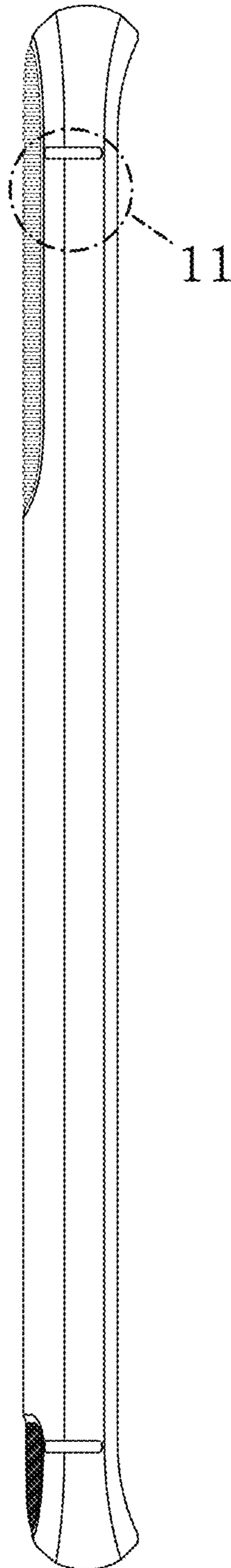


FIG. 6

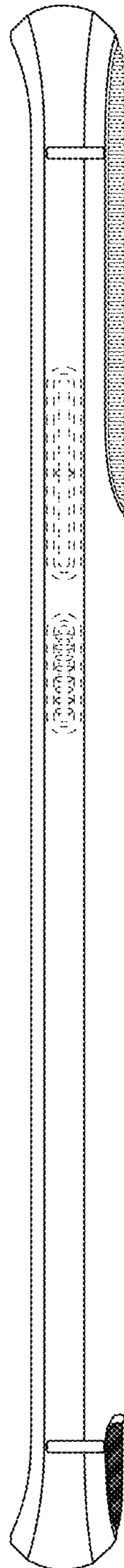


FIG. 7

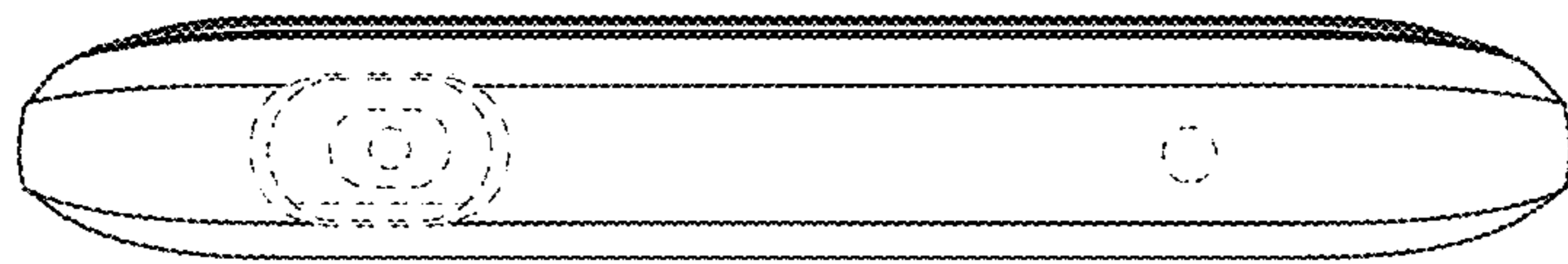


FIG. 8

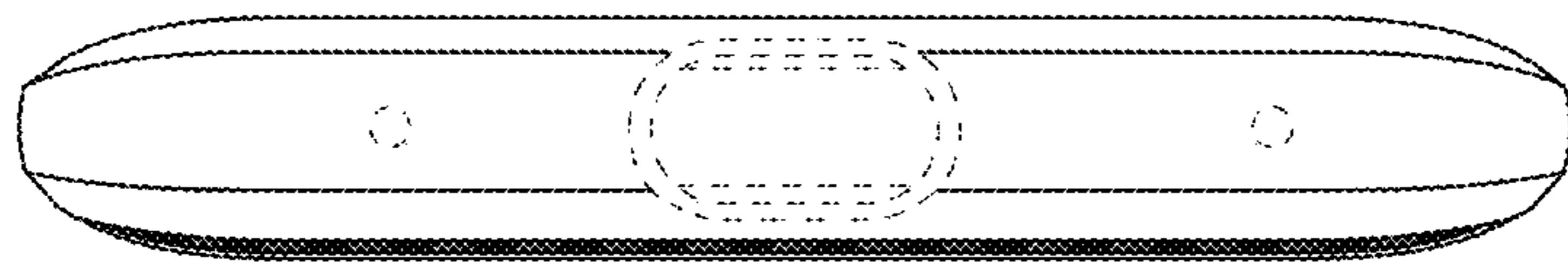


FIG. 9

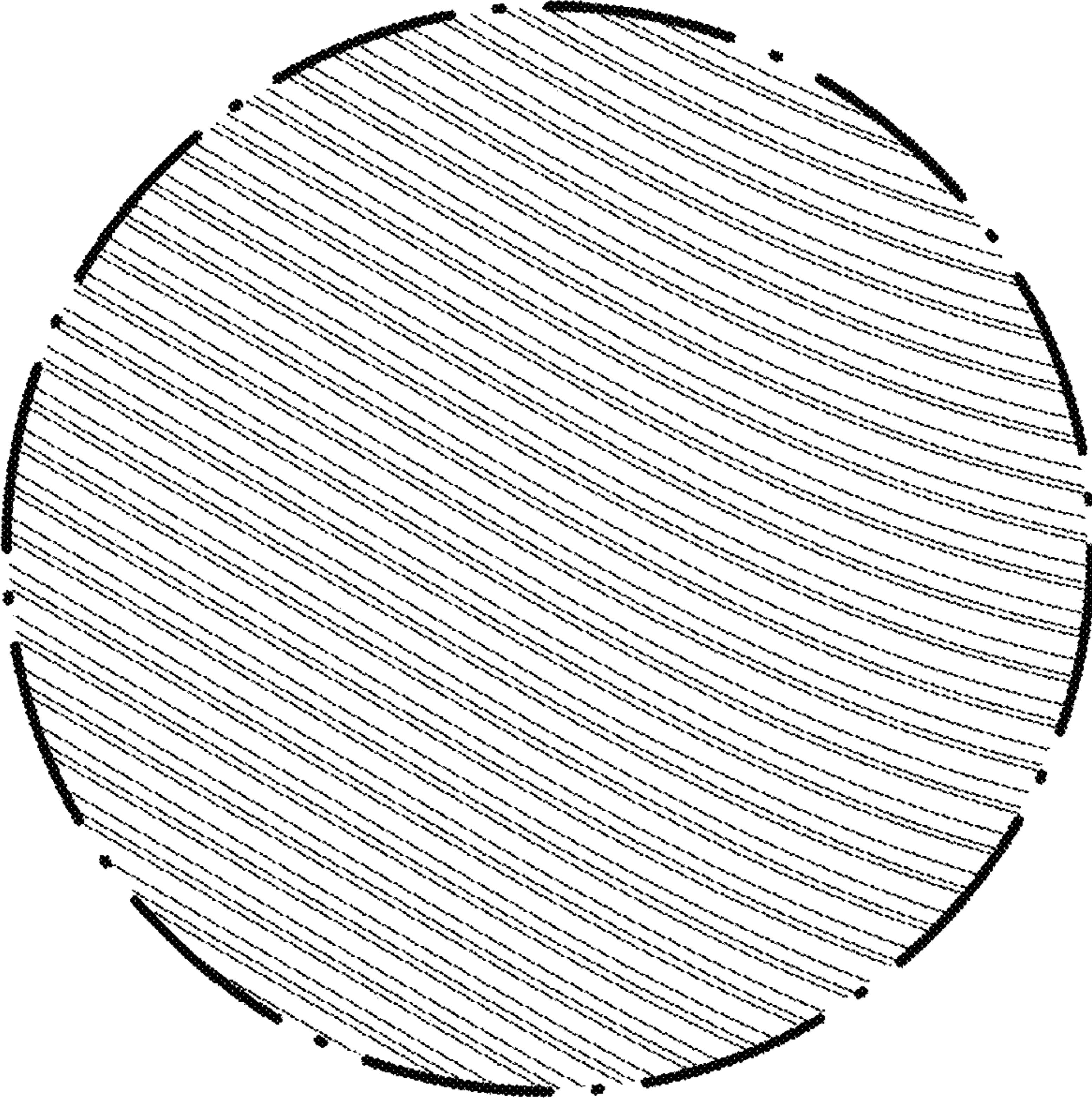


FIG. 10

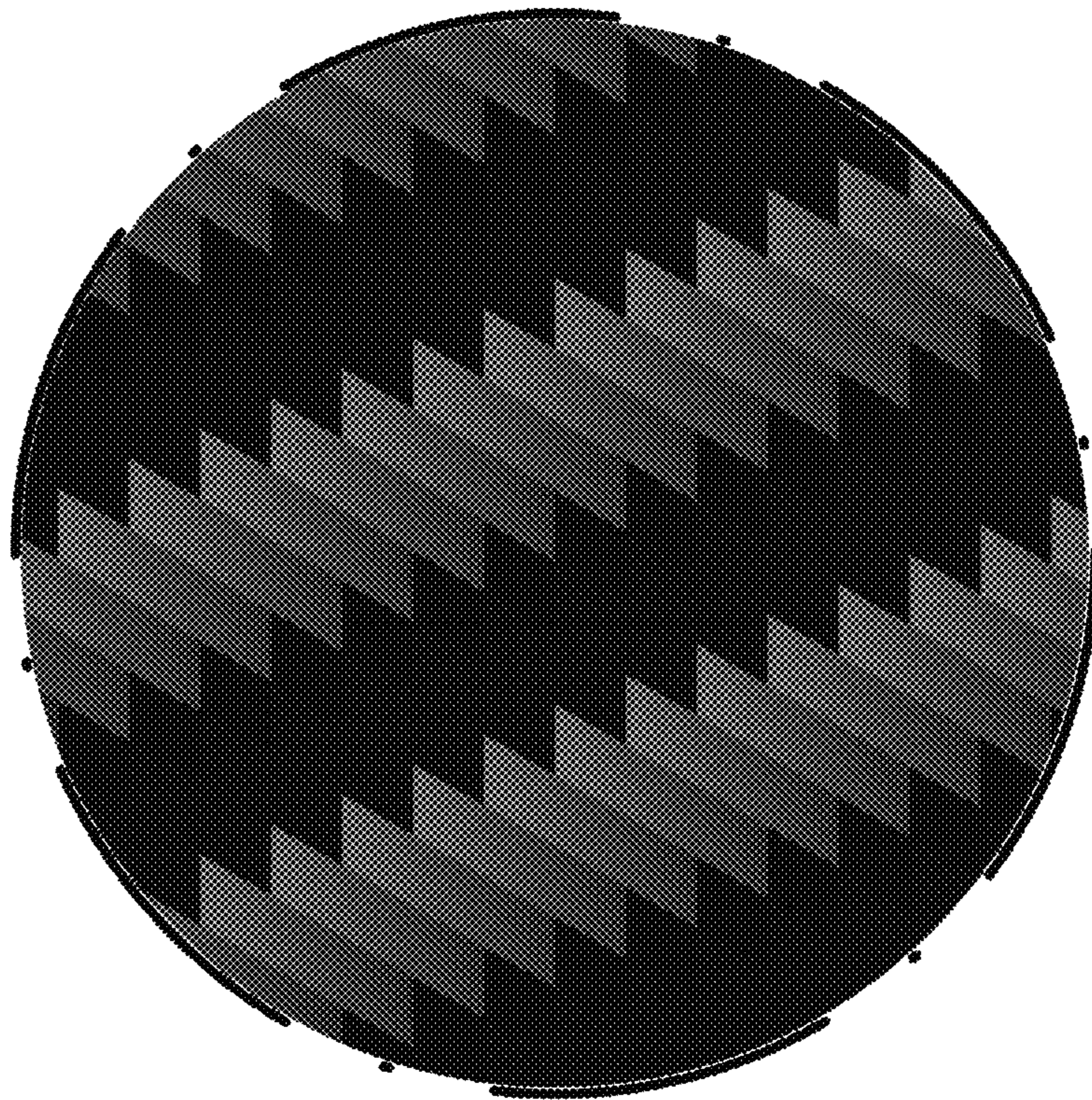


FIG. 11

