

US00D906313S

(12) **United States Design Patent** (10) **Patent No.:** **US D906,313 S**
Lee (45) **Date of Patent:** **** Dec. 29, 2020**

(54) **CASE FOR ELECTRONIC COMMUNICATIONS DEVICE**

(71) Applicant: **SPIGEN KOREA CO., LTD.**, Seoul (KR)

(72) Inventor: **Jong Hwa Lee**, Seoul (KR)

(73) Assignee: **SPIGEN KOREA CO., LTD.**, Seoul (KR)

(**) Term: **15 Years**

(21) Appl. No.: **29/688,366**

(22) Filed: **Apr. 19, 2019**

(30) **Foreign Application Priority Data**

Oct. 19, 2018 (EM) 005803186-0001

(51) **LOC (12) Cl.** **14-03**

(52) **U.S. Cl.**
USPC **D14/250**

(58) **Field of Classification Search**

USPC D14/250, 203.3-203.7, 439, 238.1, 440,
D14/251-253, 447, 217, 240, 248;
D3/201, 218, 247, 269, 273, 301, 303;
D13/103, 119, 107-108

CPC H04B 1/3888; H04M 1/0283; H04M
1/0202; A45C 1/06; A45C 11/00; A45C
13/02; A45C 2011/002; A45F 2005/026;
A45F 2200/0525; A45F 2200/0516

See application file for complete search history.

(56) **References Cited**

U.S. PATENT DOCUMENTS

D619,361 S 7/2010 Andre et al.
D655,281 S 3/2012 Turocy
D713,834 S * 9/2014 Almstrom D14/250

(Continued)

OTHER PUBLICATIONS

Spigen, "Installation video of SGP Neo Hybrid Case", <https://www.youtube.com/watch?v=mVASro4MsEg>, Published on Oct. 30, 2009, Downloaded on Feb. 21, 2019.

(Continued)

Primary Examiner — Carla J Wright

(74) *Attorney, Agent, or Firm* — Heedong Chae; Lucem, PC

(57) **CLAIM**

The ornamental design for a case for electronic communications device, as shown and described.

DESCRIPTION

FIG. 1 is a front perspective view of a case for electronic communications device showing my new design;

FIG. 2 is a rear perspective view thereof;

FIG. 3 is a front elevational view thereof;

FIG. 4 is a rear elevational view thereof;

FIG. 5 is a left side elevational view thereof;

FIG. 6 is a right side elevational view thereof;

FIG. 7 is a top plan view thereof;

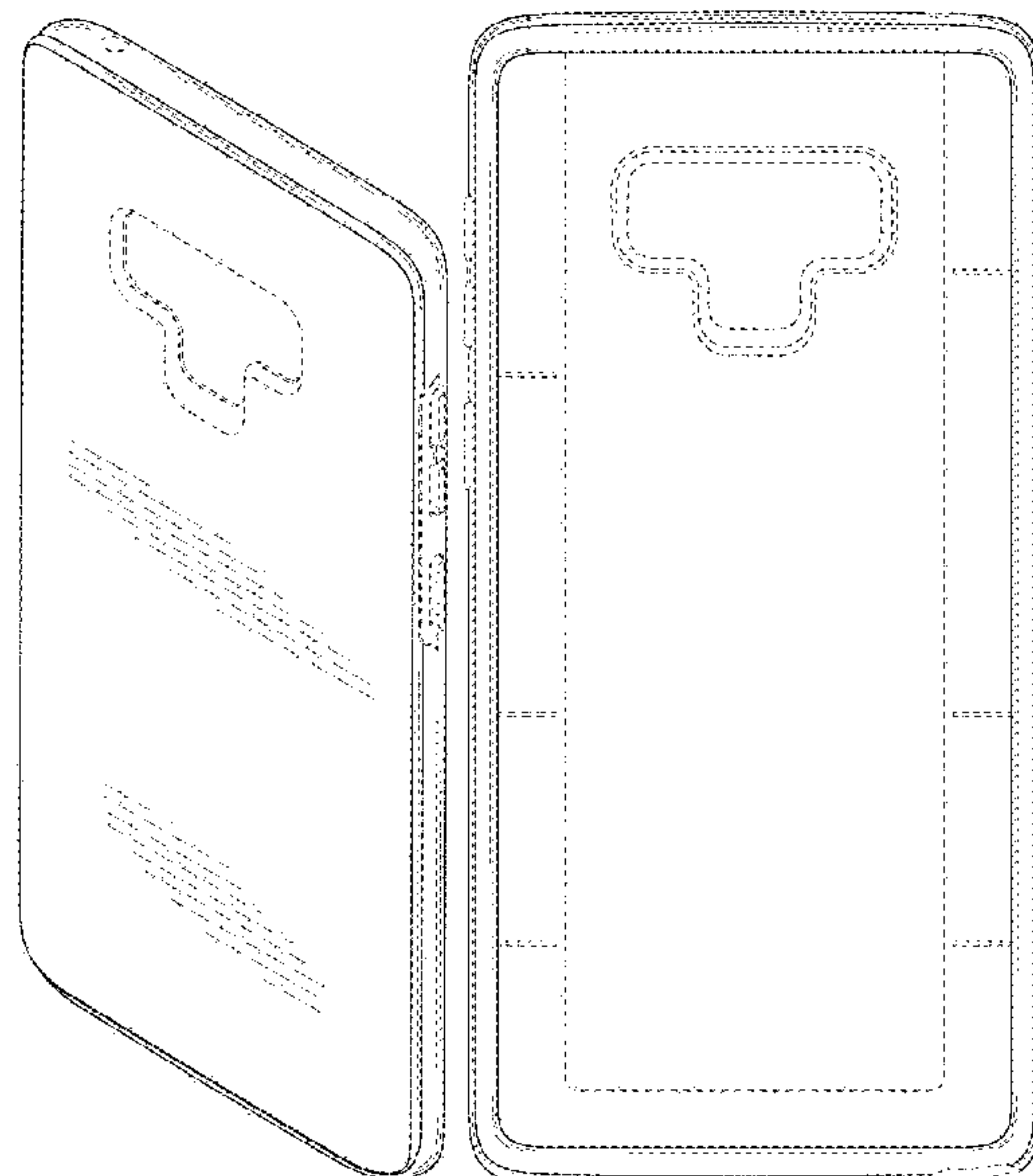
FIG. 8 is a bottom plan view thereof;

FIG. 9 is an exploded front perspective view showing the front and rear components of the case separated for clarity of disclosure; and,

FIG. 10 is an exploded rear perspective view showing the front and rear components of the case separated for clarity of disclosure.

Although the case for electronic communications device, in which the claimed design is embodied, comprises a front component and a rear component, the claim is directed to the ornamental appearance of the case in its entirety and does not extend to the ornamental appearance of each of the individual components. The broken lines depict portions of the case that form no part of the claimed design.

1 Claim, 10 Drawing Sheets



(56)

References Cited

U.S. PATENT DOCUMENTS

D714,273 S 9/2014 Kim et al.
 D721,068 S * 1/2015 Melanson D14/250
 D721,694 S 1/2015 Lee et al.
 D741,845 S 10/2015 Kim
 D746,273 S 12/2015 Herbst
 D746,274 S 12/2015 Herbst
 D749,068 S 2/2016 Zaborski et al.
 D749,535 S 2/2016 Joung et al.
 D749,557 S 2/2016 Feng
 9,288,295 B2 * 3/2016 Ivanovski H04B 1/3816
 D763,241 S 8/2016 Kim
 D763,242 S 8/2016 Kim
 D763,837 S 8/2016 Choe et al.
 D765,627 S 9/2016 Watt
 D765,635 S 9/2016 Chang et al.
 D765,638 S 9/2016 Gaylord et al.
 D765,641 S 9/2016 Bulkley et al.
 D765,642 S 9/2016 Bulkley
 D765,645 S * 9/2016 Kim D14/250
 D767,485 S 9/2016 To et al.
 D771,611 S 11/2016 Chang et al.
 9,480,319 B2 * 11/2016 Dining A45C 11/00
 D776,647 S 1/2017 Kim
 D776,649 S 1/2017 Kim
 D777,157 S 1/2017 Kim
 D777,160 S 1/2017 Kim
 D780,165 S 2/2017 Lee
 D781,840 S 3/2017 Kim et al.
 D784,309 S 4/2017 Lee et al.
 D785,615 S 5/2017 Kim et al.
 D786,849 S 5/2017 Park et al.
 D787,491 S 5/2017 Kim
 D788,093 S 5/2017 Lee et al.
 D792,394 S * 7/2017 Lee D14/341
 D795,237 S 8/2017 Jung et al.
 D797,715 S 9/2017 Kim
 D798,286 S * 9/2017 Roberts D14/250
 D798,853 S 10/2017 Park et al.
 D801,322 S 10/2017 Song et al.
 D801,323 S 10/2017 Kim
 D807,868 S 1/2018 Wang
 D808,377 S 1/2018 Witter et al.
 D808,955 S 1/2018 Park et al.
 D815,083 S 4/2018 Fitzgerald et al.
 D823,296 S 7/2018 Kim et al.
 D829,702 S * 10/2018 Jung D14/250
 D830,353 S 10/2018 Kim et al.
 D832,807 S 11/2018 Xu et al.
 D835,089 S 12/2018 Nelson et al.
 D835,090 S 12/2018 Beck et al.
 D838,264 S 1/2019 Wright et al.
 D838,710 S 1/2019 Wang
 D839,252 S 1/2019 Lim et al.
 D839,859 S 2/2019 Zhang
 D841,013 S 2/2019 Ferren et al.
 D856,999 S * 8/2019 Lee D14/250
 D857,002 S * 8/2019 Kim D14/250
 D857,684 S * 8/2019 Lee D14/250
 D860,187 S * 9/2019 Hyun D14/250
 D860,188 S * 9/2019 Hyun D14/250
 D861,660 S * 10/2019 Kim D14/250
 2014/0357330 A1 * 12/2014 Lin H04M 1/0283
 455/575.8
 2015/0053583 A1 * 2/2015 McCormick A45C 11/00
 206/521

OTHER PUBLICATIONS

Spigen, “Installation video of SGP Neo Hybrid2”, https://www.youtube.com/watch?v=y5_ndOVOfZo, Published May 25, 2010, Downloaded on Feb. 21, 2019.
 Spigen, “Neo Hybrid Case for Galaxy S3”, <https://www.youtube.com/watch?v=lgpahRniVkU>, Published on Jun. 27, 2012, Downloaded on Feb. 21, 2019.

“Spigen Neo Hybrid Galaxy S4 Case with Flexible Inner Protection and Reinforced Hard Bumper Frame for Galaxy S4 2013—Dante Red”, <https://www.amazon.com/Spigen-Hybrid-Flexible-Protection-Reinforced/dp/B00BYJIIY>, Published May 9, 2013, Downloaded on Jan. 22, 2019.
 Danny Winget, “Spigen SGP Neo Hybrid for Galaxy Noe 3 Review”, <https://www.youtube.com/watch?v=W80JtBDSckk>, Published on Nov. 3, 2013, Downloaded on Dec. 20, 2018.
 “Spigen Neo Hybrid Nexus 6 Case with Flexible Inner Protection and Reinforced Hard Bumper Frame for Google Nexus 6 2014—Dante Red”, <https://www.amazon.com/dp/B00OH4HKGC>, Earliest review date of Nov. 16, 2014, Downloaded on Dec. 18, 2019.
 “Spigen Neo Hybrid CC Galaxy S6 Case with Flexible Inner Casing and Reinforced Hard Bumper Frame for Galaxy S6 2015—Satin Silver”, <https://www.amazon.com/dp/B00UMDOZLU>, Earliest review date of Mar. 25, 2015, Downloaded on Dec. 18, 2019.
 “Spigen Neo Hybrid CC Galaxy S6 Edge Case with Flexible Inner Casing and Reinforced Hard Bumper Frame for Galaxy S6 Edge 2015—Blue Topaz”, <https://www.amazon.com/dp/B00USAPGKQ>, Earliest review date of Apr. 4, 2015, Downloaded on Dec. 18, 2019.
 “Spigen Neo Hybrid Crystal Galaxy Note 5 Case with Flexible Inner Casing and Reinforced Hard Bumper Frame for Galaxy Note 5 2015—Champagne Gold”, <https://www.amazon.com/dp/B010MWIG1K>, Earliest review date of Aug. 22, 2015, Downloaded on Dec. 18, 2019.
 “Spigen Neo Hybrid Crystal Galaxy S7 Edge Case with Flexible Inner Casing and Reinforced Hard Bumper Frame for Samsung Galaxy S7 Edge 2016—Satin Silver”, <https://www.amazon.com/dp/B01A7IDQV4>, Earliest review date of Feb. 22, 2016, Downloaded on Dec. 18, 2019.
 “Spigen Neo Hybrid Crystal Galaxy S7 Case with Flexible Inner Casing and Reinforced Hard Bumper Frame for Samsung Galaxy S7 2016—Champagne Gold”, <https://www.amazon.com/dp/B01B29WCOY>, Earliest review date of Mar. 3, 2016 Downloaded on Dec. 18, 2019.
 “Spigen Neo Hybrid Crystal LG G5 Case with Flexible Inner Casing and Reinforced Hard Bumper Frame for LG G5 2016—Champagne Gold”, <https://www.amazon.com/dp/B01B1GQKIC>, Earliest review date of Apr. 17, 2016, Downloaded on Dec. 18, 2019.
 “Spigen Neo Hybrid Crystal Galaxy S6 Edge Plus Case with Flexible Inner Casing and Reinforced Hard Bumper Frame for Galaxy S6 Edge Plus 2015—Blue Topaz”, <https://www.amazon.com/dp/B010MWIIXQ>, Earliest review date of Jun. 25, 2017, Downloaded on Dec. 18, 2019.
 “Spigen Air Skin iPhone 6 Case with Semi-transparent Lightweight Material for iPhone 6S / iPhone 6—Mint”, <https://www.amazon.com/Spigen-iPhone-Semi-transparent-Lightweight-Material-x/dp/B00LXIBOCU>, Earliest review date of Sep. 11, 2014, Downloaded on Jan. 28, 2019.
 “Spigen Air Skin iPhone 6 Plus Case with Semi-transparent Lightweight Material for iPhone 6 Plus—Azalea Pink”, <https://www.amazon.com/Spigen-iPhone-Semi-transparent-Lightweight-Material/dp/B00MEZ50YK>, Earliest review date of Sep. 13, 2014, Downloaded on Jan. 28, 2019.
 “Spigen Air Skin iPhone 6S Plus Case with Semi-Transparent Lightweight Material for iPhone 6S Plus 2015—Soft clear”, <https://www.amazon.com/Spigen-iPhone-Semi-Transparent-Lightweight-Material/dp/B010MVQZTQ>, Earliest review date of Aug. 26, 2015, Downloaded on Jan. 28, 2019.
 “Spigen Air Skin iPhone 6S Case with Semi-Transparent Lightweight Material for iPhone 6S 2015—Soft Clear”, <https://www.amazon.com/Spigen-iPhone-Semi-Transparent-Lightweight-Material/dp/B010MVJIIIG>, Earliest review date of Sep. 9, 2015, Downloaded on Jan. 28, 2019.
 “Spigen Air Skin iPhone 8 Plus Case/iPhone 7 Plus Case with Semi-Transparent Lightweight Material for Apple iPhone 3 Plus (2017) / Apple iPhone 7 Plus (2016)—Black”, <https://www.amazon.com/Spigen-iPhone-Semi-Transparent-Lightweight-Material/dp/B01M038X90>, Earliest review date of Sep. 8, 2016, Downloaded on Jan. 28, 2019.
 “Spigen Air Skin iPhone 8 Case/iPhone 7 Case with Semi-Transparent Lightweight Material for Apple iPhone 8 / iPhone 7 (2016)—Black”, <https://www.amazon.com/Spigen-iPhone-Semi-Transparent->

(56)

References Cited

OTHER PUBLICATIONS

Lightweight-Material/dp/B01M11XVRA, Earliest review date of Sep. 13, 2016, Downloaded on Jan. 28, 2019.

“Spigen Air Skin iPhone 6s Case with Semi-Transparent Lightweight Material for iPhone 6S (2015)—Black”, <https://www.amazon.com/Spigen-iPhone-Semi-Transparent-Lightweight-Material/dp/B01NBMU1LK>, Earliest review date of Apr. 6, 2017, Downloaded on Jan. 28, 2019.

“Spigen Air Skin Galaxy S8 Case with Semi-Transparent Lightweight Material for Samsung Galaxy S8 (2017)—Soft clear”, <https://www.amazon.com/Spigen-Semi-Transparent-Lightweight-Material-Samsung/dp/B06XNVPCV8>, Earliest review date of Apr. 16, 2017, Downloaded on Jan. 28, 2019.

“Spigen Air Skin Galaxy S8 Plus Case with Semi-Transparent Lightweight Material for Galaxy S8 Plus (2017)—Black”, <https://www.amazon.com/Spigen-Galaxy-Semi-Transparent-Lightweight-Material/dp/B06XP5JSRL>, Earliest review date of Apr. 19, 2017, Downloaded on Jan. 28, 2019.

“Spigen Air Skin Galaxy Note 8 Case with Semi-Transparent Lightweight Material for Galaxy Note 8 (2017)—Black”, <https://www.amazon.com/Spigen-Galaxy-Semi-Transparent-Lightweight-Material/dp/B073RX2QH9>, Earliest review date of Sep. 22, 2017, Downloaded on Jan. 28, 2019.

“Spigen Air Skin Galaxy S7 Case with Semi-Transparent Lightweight Material for Galaxy S7 (2016)—Black”, <https://www.amazon.com/Spigen-Galaxy-Semi-Transparent-Lightweight-Material/dp/B074CNVTW3>, Earliest review date of Sep. 28, 2017, Downloaded on Jan. 28, 2019.

“Spigen Air Skin Galaxy S7 Edge Case with Semi-Transparent Lightweight Material for Galaxy S7 Edge (2016)—Soft Clear”, <https://www.amazon.com/Spigen-Galaxy-Semi-Transparent-Lightweight-Material/dp/B074CPHV7N>, Earliest review date of Oct. 12, 2017, Downloaded on Jan. 28, 2019.

* cited by examiner

FIG. 1

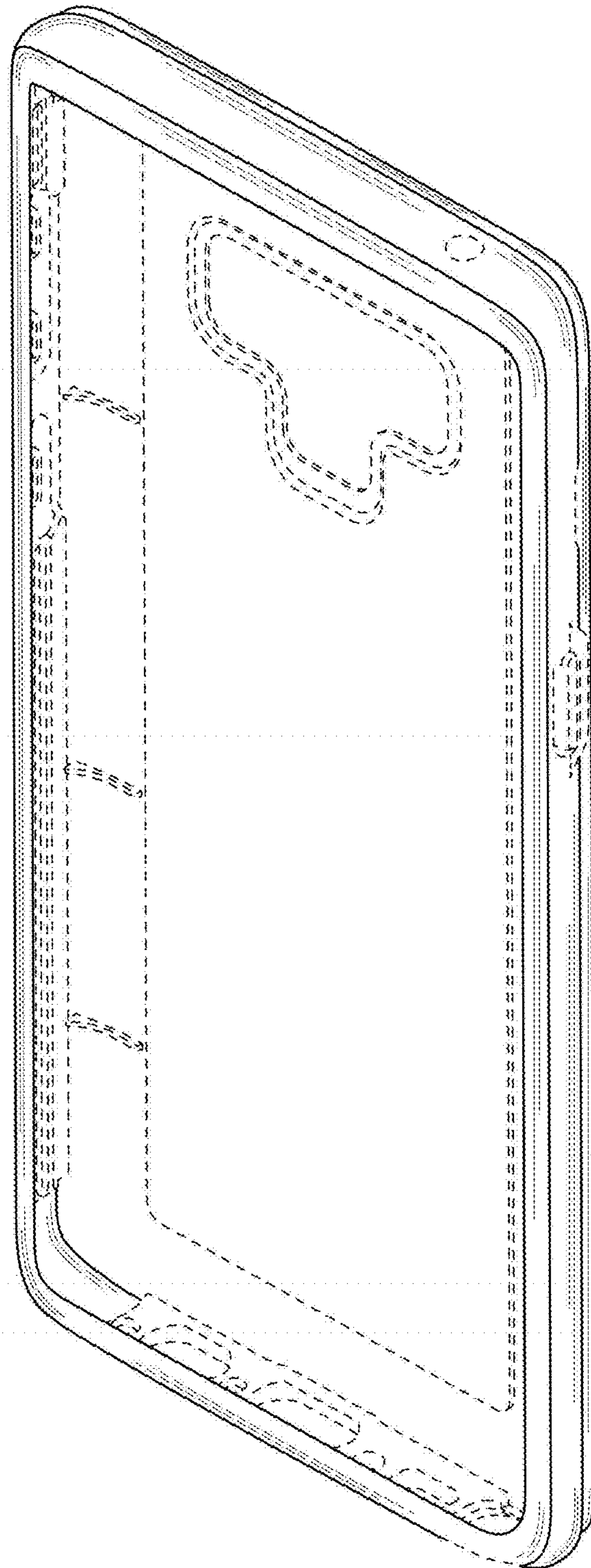


FIG. 2

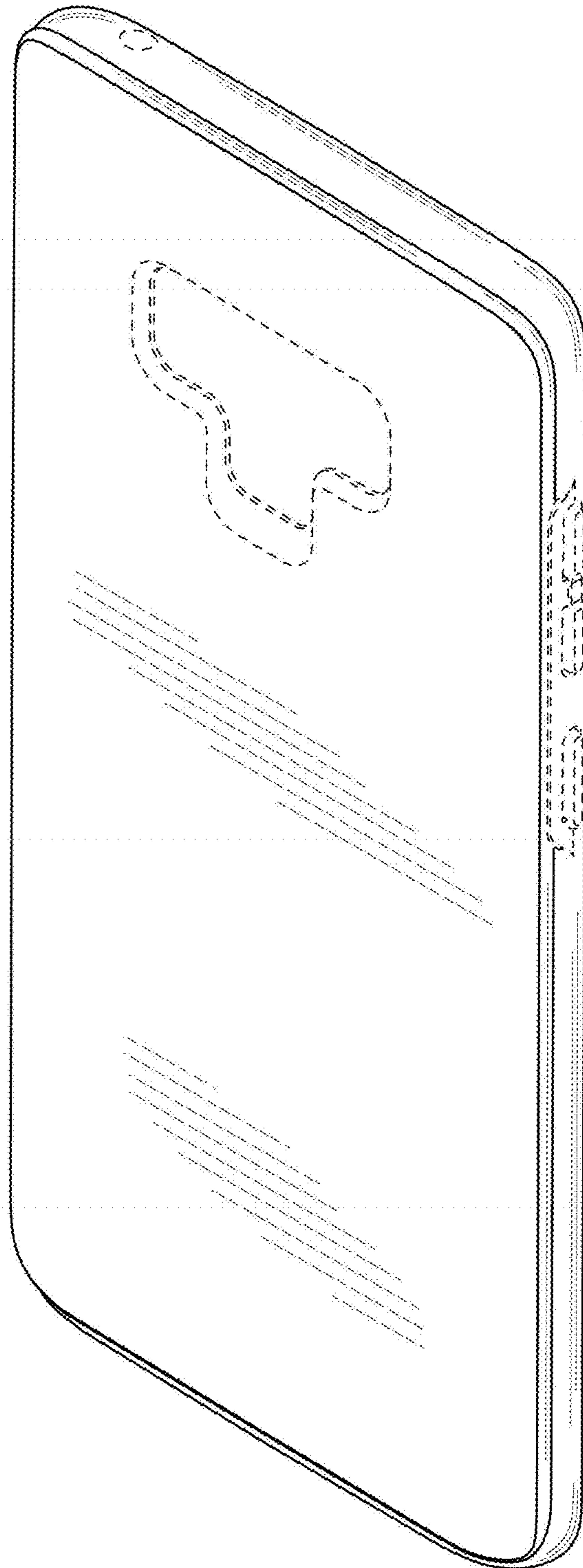


FIG. 3

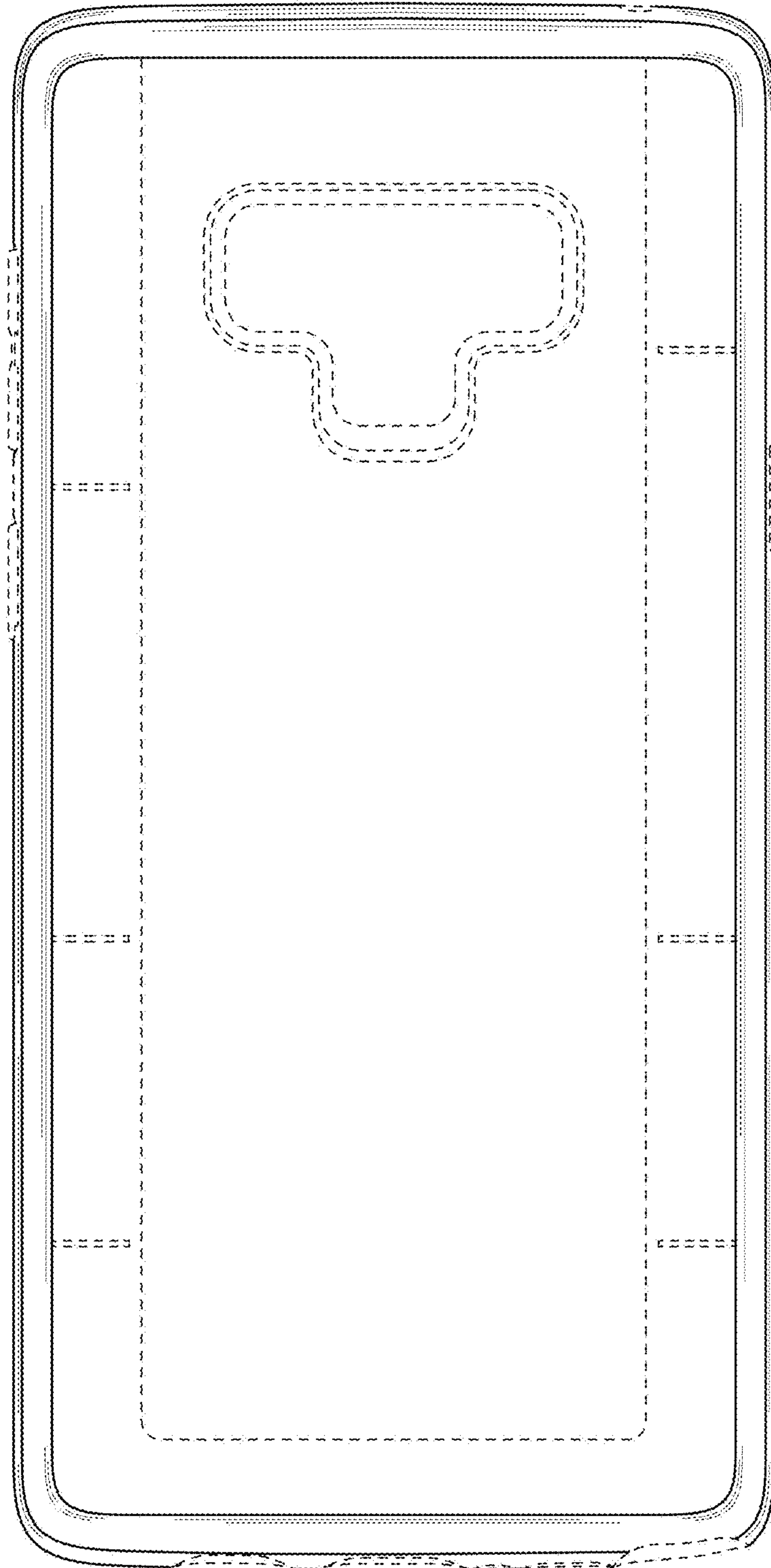


FIG. 4

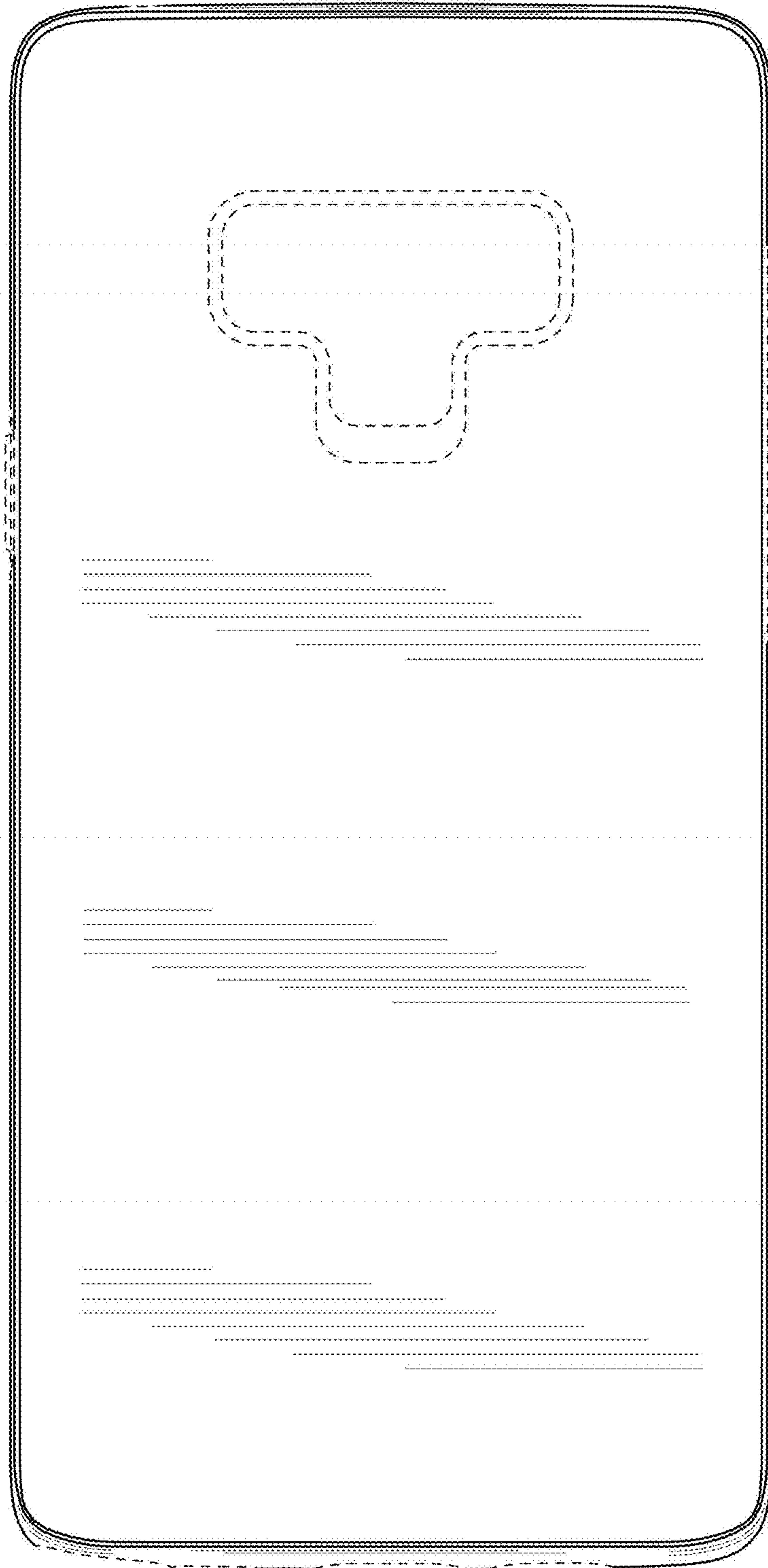


FIG. 5

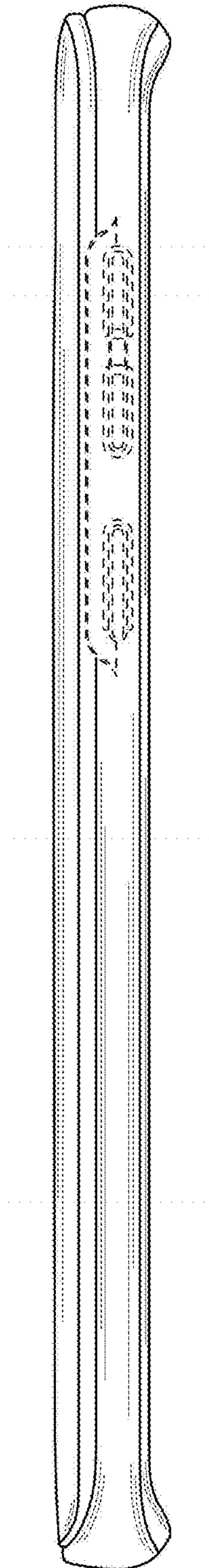


FIG. 6

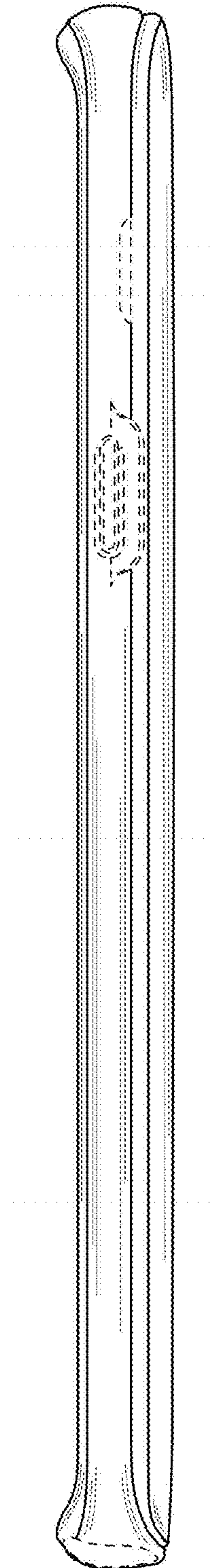


FIG. 7

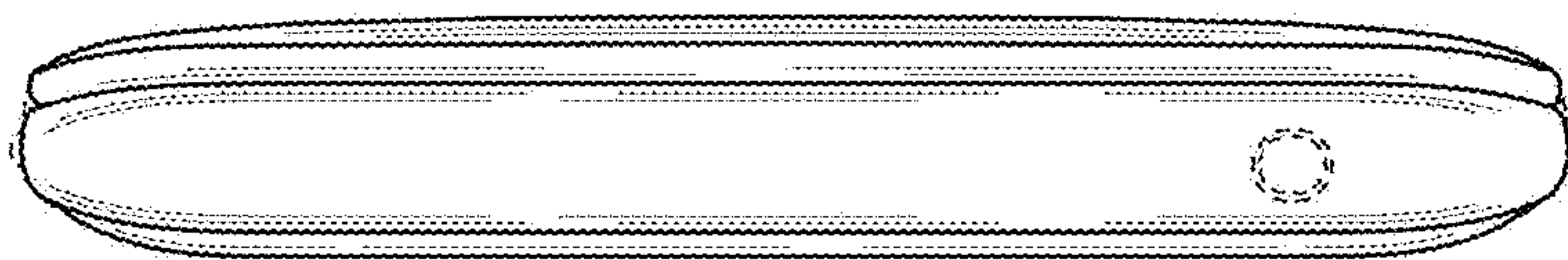


FIG. 8

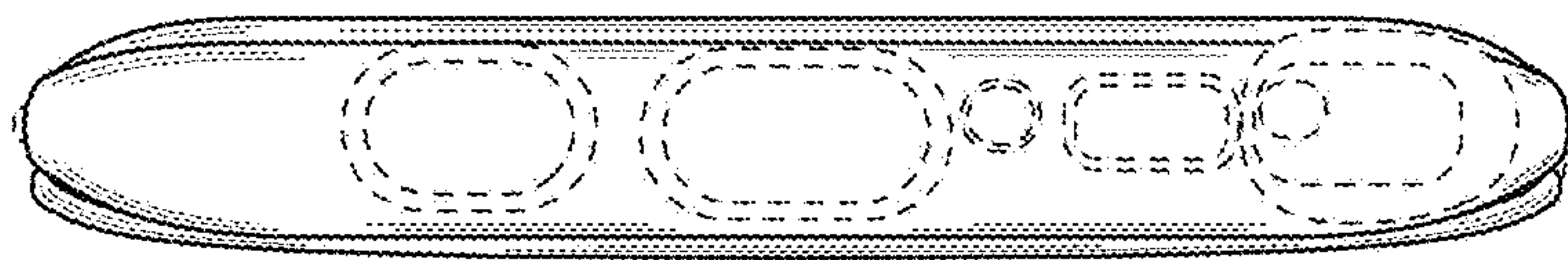


FIG. 9

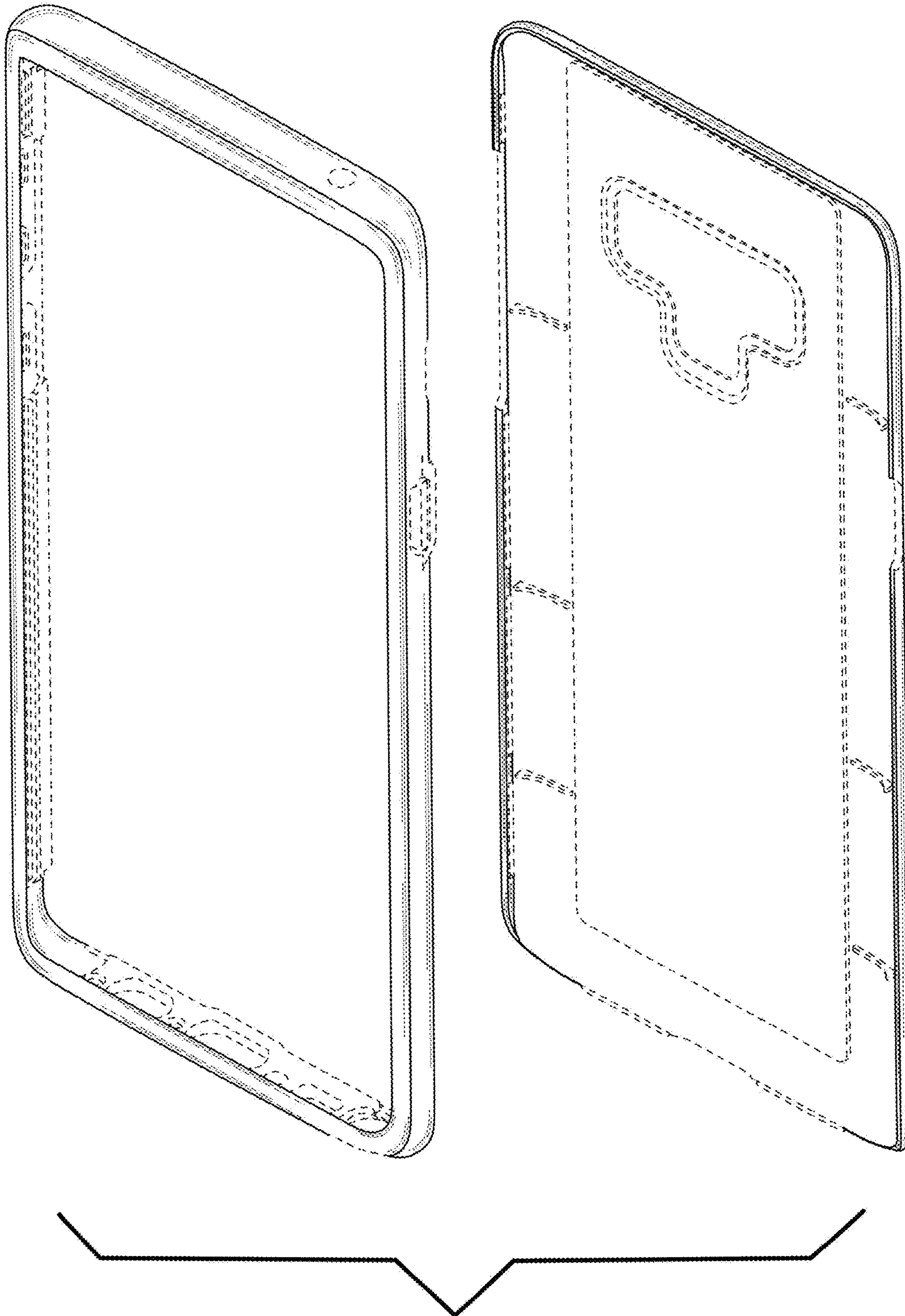


FIG. 10

