



US00D906311S

(12) **United States Design Patent** (10) **Patent No.:** **US D906,311 S**  
**Jung** (45) **Date of Patent:** **\*\* Dec. 29, 2020**

(54) **CASE FOR ELECTRONIC COMMUNICATIONS DEVICE**

(71) Applicant: **SPIGEN KOREA CO., LTD.**, Seoul (KR)

(72) Inventor: **Soo Ha Jung**, Seoul (KR)

(73) Assignee: **SPIGEN KOREA CO., LTD.**, Seoul (KR)

(\*\*) Term: **15 Years**

(21) Appl. No.: **29/683,669**

(22) Filed: **Mar. 14, 2019**

(30) **Foreign Application Priority Data**

Sep. 14, 2018 (EM) ..... 00564131-0001

(51) **LOC (12) Cl.** ..... **14-03**

(52) **U.S. Cl.**  
USPC ..... **D14/250**

(58) **Field of Classification Search**  
USPC ..... D14/250, 203.3-203.7, 439, 238.1, 440, D14/251-253, 447, 217, 240, 248; D3/201, 218, 247, 269, 273, 301, 303; D13/103, 119, 107-108  
CPC ..... H04B 1/3888; H04M 1/0283; H04M 1/0202; A45C 1/06; A45C 11/00; A45C 13/02; A45C 2011/002; A45F 2005/026; A45F 2200/0525; A45F 2200/0516  
See application file for complete search history.

(56) **References Cited**

**U.S. PATENT DOCUMENTS**

- D448,761 S \* 10/2001 Powell ..... D14/250
- D575,056 S 8/2008 Tan
- D575,799 S \* 8/2008 Zhang ..... D14/496
- D609,672 S 2/2010 Lee
- D619,361 S 7/2010 Andre et al.

(Continued)

**OTHER PUBLICATIONS**

“Caseology Vault for Apple iPhone 8 Case (2017) / for iPhone 7 Case (2016)—Rugged & Flexible—Matte Black”, <https://www.amazon.com/dp/B01JSZOJ7M>, Earliest review date of Sep. 10, 2016, Downloaded on Jan. 16, 2020.

(Continued)

*Primary Examiner* — Carla J Wright

(74) *Attorney, Agent, or Firm* — Heedong Chae; Lucem, PC

(57) **CLAIM**

The ornamental design for a case for electronic communications device, as shown and described.

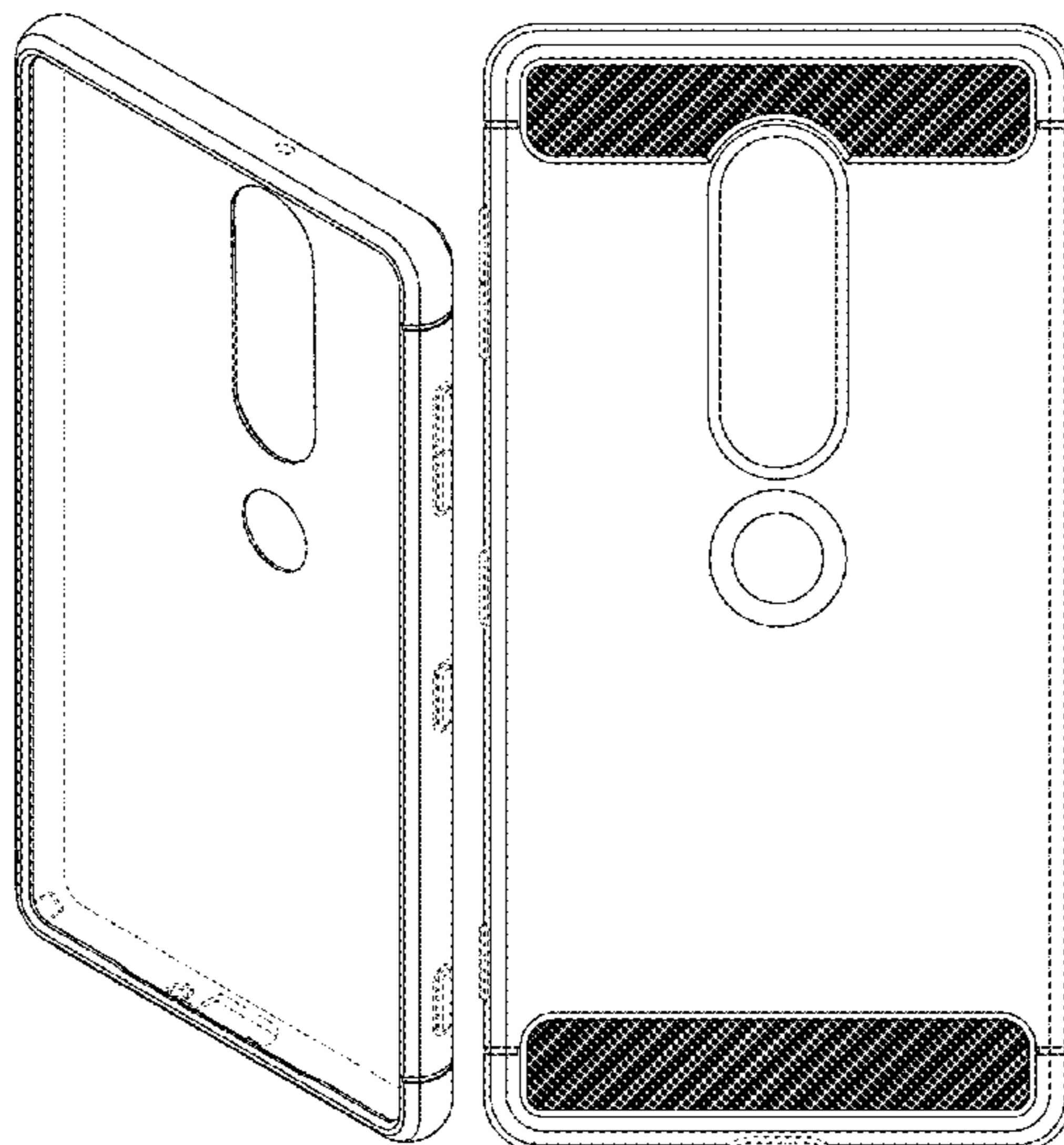
**DESCRIPTION**

FIG. 1 is a front perspective view of a case for electronic communications device showing my new design; FIG. 2 is a rear perspective view thereof; FIG. 3 is a front elevational view thereof; FIG. 4 is a rear elevational view thereof; FIG. 5 is a left side elevational view thereof; FIG. 6 is a right side elevational view thereof; FIG. 7 is a top plan view thereof; FIG. 8 is a bottom plan view thereof; and, FIG. 9 is an enlarged detail view of the encircled portion of FIG. 2.

The dot-dash broken lines in FIGS. 2 and 9 delineate a portion of the case that is part of the claimed design and shown on an enlarged scale in FIG. 9. The dashed broken lines depict portions of the case that form no part of the claimed design.

With the exception of the interior edges of the two rear openings that are shown in solid lines, the interior of the case shown in FIGS. 1 and 3 forms no part of the claimed design.

**1 Claim, 9 Drawing Sheets**



(56)

References Cited

U.S. PATENT DOCUMENTS

D631,463 S *	1/2011	Kim	D14/138 AB	D756,343 S	5/2016	Wall	
D632,685 S	2/2011	Richardson		D756,909 S	5/2016	Gupta	
D643,029 S	8/2011	Feng		D756,910 S	5/2016	Gupta	
D646,265 S	10/2011	Fathollahi		D756,911 S	5/2016	Gupta	
D650,371 S	12/2011	Wibby		D757,699 S	5/2016	Lee	
D654,491 S *	2/2012	Melanson	D14/250	D761,239 S	7/2016	Kim	
D655,281 S	3/2012	Turocy		D762,205 S	7/2016	Dang	
D657,782 S	4/2012	Biller		D763,241 S	8/2016	Kim	
D664,133 S	7/2012	Zheng		D763,242 S	8/2016	Kim	
D669,071 S	10/2012	Akana et al.		D763,837 S	8/2016	Choe et al.	
D671,930 S	12/2012	Akana et al.		D763,841 S	8/2016	Kim	
D673,547 S	1/2013	Melanson		D763,842 S	8/2016	Chang et al.	
D676,036 S	2/2013	Chang		D764,476 S *	8/2016	Gleason, III	D14/440
D676,844 S	2/2013	Weller		D765,067 S	8/2016	Choe et al.	
D677,249 S	3/2013	Li		D765,627 S	9/2016	Watt	
D678,334 S *	3/2013	Lee	D14/203.3	D765,635 S	9/2016	Chang et al.	
D678,907 S	3/2013	Lee		D765,638 S	9/2016	Gaylord et al.	
D679,271 S	4/2013	Liu		D765,640 S	9/2016	Bulkley et al.	
D679,685 S	4/2013	Cox		D765,641 S	9/2016	Bulkley et al.	
D679,690 S	4/2013	Fahrendorff et al.		D765,642 S	9/2016	Bulkley	
D679,697 S	4/2013	Murchison		D765,644 S	9/2016	Witter	
D679,698 S	4/2013	Murchison		D765,645 S	9/2016	Kim	
D681,022 S	4/2013	Chang		D767,485 S	9/2016	To et al.	
D681,615 S	5/2013	Fathollahi		D767,553 S	9/2016	Fathollahi	
D682,260 S *	5/2013	Tages	D14/250	D770,434 S *	11/2016	Choe	D14/250
D683,723 S	6/2013	Murchison		D771,607 S	11/2016	Kim	
D684,568 S	6/2013	Fitzgerald		D771,608 S	11/2016	Kim	
D684,960 S	6/2013	Murchison		D771,611 S	11/2016	Chang et al.	
D685,776 S	7/2013	Bau		D772,209 S	11/2016	Kim	
D691,122 S	10/2013	Bau		D772,854 S	11/2016	Igarashi	
D691,124 S	10/2013	Yang		D772,858 S	11/2016	Hu	
D697,905 S	1/2014	Chang		9,480,318 B2	11/2016	Stiehl	
D698,767 S	2/2014	Son		9,480,319 B2	11/2016	Dining et al.	
D700,174 S	2/2014	Li		D774,498 S	12/2016	Tao	
D703,652 S	4/2014	Melanson		D775,112 S	12/2016	Hemesath	
D704,688 S	5/2014	Reivo		D775,614 S	1/2017	Kim	
D706,254 S	6/2014	Chang		D776,647 S	1/2017	Kim	
D712,386 S	9/2014	Lu		D777,157 S	1/2017	Kim	
D714,273 S	9/2014	Kim et al.		D777,160 S	1/2017	Kim	
D714,274 S	9/2014	Jung		D777,717 S	1/2017	Kim	
D714,276 S	9/2014	Hu		D779,470 S	2/2017	Kim	
D717,286 S	11/2014	Veldkamp		D781,835 S	3/2017	Kim et al.	
D717,774 S	11/2014	Fathollahi		D781,837 S	3/2017	Kim	
D717,778 S	11/2014	Zermeno		D781,838 S	3/2017	Kim	
D718,292 S	11/2014	Hemesath		D781,840 S	3/2017	Kim et al.	
D721,065 S	1/2015	Yoon		D782,457 S	3/2017	Park et al.	
D721,067 S	1/2015	Su		D784,309 S	4/2017	Lee et al.	
D721,070 S	1/2015	Pickett		9,628,133 B2	4/2017	Kim	
D721,694 S *	1/2015	Lee	D14/250	D785,615 S	5/2017	Kim et al.	
D727,883 S	4/2015	Brand		D786,849 S	5/2017	Park et al.	
D727,886 S	4/2015	Bertrand et al.		D788,093 S	5/2017	Lee et al.	
9,004,275 B2	4/2015	Lee		9,661,116 B1	5/2017	Chung	
D731,472 S	6/2015	Lee		D792,394 S	7/2017	Lee et al.	
D731,481 S	6/2015	Akana et al.		D795,237 S	8/2017	Jung et al.	
D732,012 S	6/2015	Tsai		D797,715 S	9/2017	Kim	
9,143,181 B1	9/2015	Jia		D798,286 S	9/2017	Roberts et al.	
D741,845 S	10/2015	Kim		D801,325 S *	10/2017	Kim	D14/250
D743,389 S	11/2015	Akana		D802,571 S *	11/2017	Fan	D14/248
D746,273 S	12/2015	Herbst		D810,064 S	2/2018	Kim	
D746,274 S	12/2015	Herbst		D812,618 S	3/2018	Altaras	
D746,275 S	12/2015	Mohammad		D813,214 S *	3/2018	Fan	D14/248
9,223,346 B2	12/2015	Wilson		D813,219 S *	3/2018	Hyun	D14/250
D748,086 S *	1/2016	Choe	D14/250	D824,377 S *	7/2018	Kim	D14/250
D748,614 S	2/2016	Ju		D832,833 S	11/2018	Kim	
D749,068 S	2/2016	Zaborski et al.		D837,778 S *	1/2019	Yun	D14/250
D749,535 S	2/2016	Joung et al.		D837,779 S *	1/2019	Kim	D14/250
D749,555 S	2/2016	Poon et al.		D839,861 S *	2/2019	Kim	D14/250
D749,557 S	2/2016	Feng		D840,991 S	2/2019	Kim	
9,247,795 B2	2/2016	Kim		D840,992 S *	2/2019	Kim	D14/250
D750,608 S *	3/2016	Kim	D14/250	D841,637 S	2/2019	Kim	
D751,058 S	3/2016	Cocchia		D842,848 S *	3/2019	Kim	D14/250
9,288,295 B2	3/2016	Ivanovski		D849,737 S *	5/2019	Kim	D14/250
9,293,808 B1	3/2016	Roberts		D854,003 S *	7/2019	Kim	D14/250
D753,099 S	4/2016	Kim		D854,534 S *	7/2019	Kim	D14/250
D756,340 S	5/2016	Babichenko		D855,045 S *	7/2019	Igarashi	D14/250
				2011/0050606 A1	3/2011	Zhang	
				2014/0357330 A1	12/2014	Lin	
				2015/0053583 A1	2/2015	McCormick	
				2015/0189963 A1	7/2015	Lai	

(56)

**References Cited**

## U.S. PATENT DOCUMENTS

2016/0101902	A1	4/2016	Kim	
2016/0204817	A1	7/2016	Kim	
2016/0285301	A1	9/2016	Kim	
2017/0123217	A1	5/2017	Dukerschein	
2018/0262227	A1*	9/2018	Lee	..... H04M 1/0202

## OTHER PUBLICATIONS

“The best iPhone 7 & 7 Plus cases available now”, <https://9to5mac.com/2016/09/07/best-iphone-7-7-plus-cases-accessories-available-now/>, Earliest review date of Sep. 17, 2016, Downloaded on Mar. 18, 2020.

“Caseology Vault for Google Pixel Case (2016)—Rugged & Flexible—Black”, <https://www.amazon.com/dp/B01MEDIMGS>, Earliest review date of Nov. 10, 2016, Downloaded on Jan. 16, 2020.

“Caseology Vault for Apple iPhone 7 Plus Case (2016)—Rugged Matte Finish—Black”, <https://www.amazon.com/dp/B01N2OCQV4>, Earliest review date of Dec. 16 2016, Downloaded on Jan. 16, 2020.

“Caseology Vault for LG G6 Case (2017)—Rugged Matte Finish—Black”, <https://www.amazon.com/dp/B06W52JLH>, Earliest review date of Mar. 28, 2017, Downloaded on Jan. 16, 2020.

“Caseology Nero Tough for iPhone 8 Plus Case (2017) / iPhone 7 Plus Case (2016)—360 Protection—Black”, <https://www.amazon.com/dp/B07534JMM2>, Earliest review date of Aug. 23, 2017, Downloaded on Nov. 19, 2019.

“Spigen Rugged Armor Galaxy S6 Case with Resilient Shock Absorption and Carbon Fiber Design for Galaxy S6 2015—Black”, <https://www.amazon.com/dp/B00T6P05ZK>, Earliest review date of Mar. 10, 2015, Downloaded on Jul. 17, 2018.

“Spigen Rugged Armor Galaxy S6 Edge Case with Flexible and Durable Shock Absorption with Carbon Fiber Design for Samsung Galaxy S6 Edge (2015)—Black”, <https://www.amazon.com/dp/B00SVCITW0>, Earliest review date of Mar. 13, 2015, Downloaded on Jul. 17, 2018.

“Spigen Rugged Armor Galaxy Note 5 Case with Resilient Shock Absorption and Carbon Fiber Design for Galaxy Note 5 2015—Black”, <https://www.amazon.com/dp/B010MWFUBY>, Earliest review date of Aug. 23, 2015, Downloaded on Jul. 17, 2018.

“Spigen Rugged Armor iPhone 6S Case with Resilient Shock Absorption and Carbon Fiber Design for iPhone 6S/iPhone 6—Black”, <https://www.amazon.com/dp/B010MVJM5K>, Earliest review date of Sep. 3, 2015, Downloaded on Jul. 17, 2018.

“Spigen Rugged Armor iPhone 6S Plus Case with Resilient Shock Absorption and Carbon Fiber Design for iPhone 6S Plus 2015—Black”, <https://www.amazon.com/dp/B010MVR7Q>, Earliest review date of Sep. 7, 2015, Downloaded on Jul. 17, 2018.

“Spigen Tough Armor Tech iPhone 6S Case with Extreme Shock and Drop Protection for Apple iPhone 6 / 6S—Gunmetal”, <https://www.amazon.com/Spigen-Tough-iPhone-Extreme-Protection/dp/B013TKNSIS>, Earliest review date of Oct. 3, 2015, Downloaded on Jan. 15, 2019.

“Spigen Rugged Armor Samsung Galaxy S7 Case with Resilient Shock Absorption and Carbon Fiber Design for Samsung Galaxy S7 2016—Black”, <https://www.amazon.com/Spigen-Rugged-Designed-Samsung-Galaxy/dp/B01A7ICWTQ>, Earliest review date of Feb. 25, 2016, Downloaded on Jul. 17, 2018.

“Spigen Rugged Armor Galaxy S7 Edge Case with Flexible and Durable Shock Absorption with Carbon Fiber Design for Samsung Galaxy S7 Edge (2016)—Black”, <https://www.amazon.com/Spigen-Rugged-Designed-Samsung-Galaxy/dp/B01A7IDHOU>, Earliest review date of Feb. 28, 2016, Downloaded on Jul. 17, 2018.

“Spigen Rugged Armor Galaxy A5 Case with Resilient Shock Absorption and Carbon Fiber Design for Galaxy A5—Black”, <https://www.amazon.com/Spigen-Rugged-Designed-Samsung-Galaxy/dp/B018J07A46>, Earliest review date of Mar. 18, 2016, Downloaded on Jul. 17, 2018.

“Spigen Rugged Armor iPhone SE Case with Resilient Shock Absorption and Carbon Fiber Design for iPhone SE 2016—Black”,

<https://www.amazon.com/Spigen-Rugged-iPhone-Resilient-Absorption/dp/B01BEDNUDK>, Earliest review late of Apr. 10, 2016, Downloaded on Jan. 15, 2019.

“Spigen Rugged Armor Honor 5X Case with Resilient Shock Absorption and Carbon Fiber Design for Huawei Honor 5X—Black”, <https://www.amazon.com/Spigen-Rugged-Resilient-Absorption-Carbon/dp/B01DJHDXD2>, Earliest review date of May 1, 2016, Downloaded on Jan. 15, 2019.

“Spigen Rugged Armor HTC 10 Case with Resilient Shock Absorption and Carbon Fiber Design for HTC 10 2016—Black”, <https://www.amazon.com/dp/B01DAN1T4E>, Earliest review date of May 4, 2016, Downloaded on Jul. 18, 2018.

“Spigen Rugged Armor OnePlus 3 Case/OnePlus 3T Case with Resilient Shock Absorption and Carbon Fiber Design for OnePlus 3 2016—Black”, <https://www.amazon.com/dp/B01H3PEWDK>, Earliest review date of Jul. 28, 2016, Downloaded on Jul. 17, 2018.

“Spigen Rugged Armor iPhone 8 Case / iPhone 7 Case with Resilient Shock Absorption and Carbon Fiber Design for Apple iPhone 8 (2017) / iPhone 7 (2016)—Black”, <https://www.amazon.co.uk/Spigen-Rugged-iPhone-Resilient-Absorption/dp/B01GIVX7TA>, Earliest review date of Aug. 2, 2016, downloaded on Oct. 24, 2018.

“Spigen Rugged Armor iPhone 8 Plus/iPhone 7 Plus Case with Resilient Shock Absorption and Carbon Fiber Design for Apple iPhone 8 Plus (2017)/iPhone 7 Plus (2016)—Black”, <https://www.amazon.com/dp/B01GIWGAAC>, Earliest review date of Sep. 2, 2016, Downloaded on Jul. 17, 2018.

“Spigen Rugged Armor Huawei P9 Lite Case with Resilient Shock Absorption and Carbon Fiber Design for Huawei P9 Lite—Black”, <https://www.amazon.com/B01DL0DJGM>, Earliest review date of Sep. 6, 2016, Downloaded on Jul. 18, 2018.

“Spigen Rugged Armor iPhone 8 Case/iPhone 7 Case with Resilient Shock Absorption and Carbon Fiber Design for Apple iPhone 8 (2017)/iPhone 7 (2016)—Black”, <https://www.amazon.com/dp/B01GIVX7TA>, Earliest review date of Sep. 11, 2016, Downloaded on Jul. 17, 2018.

“Spigen Rugged Armor Google Pixel XL Case with Resilient Shock Absorption and Carbon Fiber Design for Google Pixel XL 2016—Black”, <https://www.amazon.com/dp/B01M1EEXWJ>, Earliest review date of Oct. 2, 2016, Downloaded on Jul. 17, 2018.

“Spigen Rugged Armor LG V20 Case with Resilient Shock Absorption and Carbon Fiber Design for LG V20 201—Black”, <https://www.amazon.com/dp/B01M0HW9P4>, Earliest review date of Oct. 19, 2016, Downloaded on Jul. 18, 2018.

“Spigen Rugged Armor Honor 8 Case with Resilient Shock Absorption for Huawei Honor 8 2016—Black”, <https://www.amazon.com/dp/B01LXTROW1>, Earliest review date of Oct. 20, 2016, Downloaded on Jul. 18, 2018.

“Spigen Rugged Armor Moto Z Droid Case with Resilient Shock Absorption and Carbon Fiber Design for Moto Z Droid 2016—Black”, <https://www.amazon.com/dp/B01HCAQMBQ>, Earliest review date of Dec. 9, 2016, Downloaded on Jul. 17, 2018.

“Spigen Rugged Armor Galaxy A3 2016 Case with Resilient Shock Absorption and Carbon Fiber Design for Galaxy A3 2016—Black”, <https://www.amazon.com/Spigen-Rugged-Armor-Samsung-Galaxy/dp/B01HFMYLIC>, Earliest review date of Dec. 18, 2016, Downloaded on Jul. 17, 2018.

“Spigen Rugged Armor ZenFone 3 Max Case (ZC520TL) with Resilient Shock Absorption and Carbon Fiber Design for ASUS ZenFone 3 Max (ZC520TL)—Black”, <https://www.amazon.com/dp/B01MSDJQ7C>, Earliest review date of Mar. 3, 2017, Downloaded on Jul. 18, 2018.

“Spigen Rugged Armor Extra Designed for LG G6 Case (2017) / Designed for LG G6 Plus (2017)—Black”, <https://www.amazon.com/Spigen-Rugged-Resilient-Absorption-Carbon/dp/B01N6T9PHS>, Earliest review date of Mar. 28, 2017, Downloaded on Jan. 9, 2020.

“Spigen Rugged Armor LG G6 Case/G6 Plus Case with Resilient Shock Absorption and Carbon Fiber Design for LG G6/G6 Plus (2017)—Black”, <https://www.amazon.com/dp/B01MUCZILA>, Earliest review date of Mar. 30, 2017, Downloaded on Jul. 18, 2018.

“Spigen Rugged Armor Galaxy S8 Plus Case with Resilient Shock Absorption and Carbon Fiber Design for Galaxy S8 Plus (2017)—

(56)

**References Cited**

## OTHER PUBLICATIONS

Black”, <https://www.amazon.com/Spigen-Rugged-Designed-Samsung-Galaxy/dp/B06XNW4ZVJ>, Earliest review date of Apr. 3, 2017, Downloaded on Jul. 17, 2018.

“Spigen Rugged Armor Galaxy S8 Case with Resilient Shock Absorption and Carbon Fiber Design for Samsung Galaxy S8 (2017)—Black”, <https://www.amazon.com/Spigen-Rugged-Designed-Samsung-Galaxy/dp/B06XNNJ4KM>, Earliest review date of Apr. 7, 2017, Downloaded on Jul. 17, 2018.

Spigen, “Spigen Rugged Armor Extra”, <https://www.youtube.com/watch?v=ILUEjn1P2hk>, Published May 26, 2017, downloaded on Jan. 9, 2020.

“Spigen Rugged Armor Huawei P10 Plus Case with Resilient Shock Absorption and Carbon Fiber Design for Huawei P10 Plus(2017)—Rugged Armor”, <https://www.amazon.com/dp/B06XFZW779>, Earliest review date of May 26, 2017, Downloaded on Jul. 18, 2018.

“Spigen Rugged Armor Galaxy J7 2017 Case, J7 Prime, J7 2017(AT &T), J7 Sky Pro, J7 Perx case with Resilient Shock Absorption and Carbon Fiber Design for Samsung Galaxy J7 V 2017—Black”, <https://www.amazon.com/Spigen-Rugged-Resilient-Absorption-Samsung/dp/B06WRRF36B>, Earliest review date of May 31, 2017, Downloaded on Jan. 15, 2019.

“Spigen Rugged Armor Huawei P10 Lite Case with Resilient Shock Absorption and Carbon Fiber Design for Huawei P10 Lite (2017)—Black”, <https://www.amazon.com/dp/B06XC�Q3S4>, Earliest review date of Jun. 7, 2017, Downloaded on Jul. 18, 2018.

“Spigen Rugged Armor Huawei P10 Case with Resilient Shock Absorption and Carbon Fiber Design for Huawei P10 (2017)—Black”, <https://www.amazon.com/dp/B06XCTQR1W>, Earliest review date of Jun. 8, 2017, Downloaded on Jul. 18, 2018.

“Spigen Rugged Armor HTC U11 Case with Resilient Shock Absorption and Carbon Fiber Design for HTC U 11 (2017)—Black”, <https://www.amazon.com/dp/B07234FLGX>, Earliest review date of Jun. 17, 2017, Downloaded on Jul. 18, 2018.

“Spigen Rugged Armor Huawei P8 Lite 2017 Case with Resilient Shock Absorption and Carbon Fiber Design for Huawei P8 Lite (2017)/nova lite/P9 lite 2017/Honor 8 lite—Black”, <https://www.amazon.com/dp/B06XFVXMLN>, Earliest review date of Jun. 24, 2017, Downloaded on Jul. 18, 2018.

“Spigen Rugged Armor Extra Galaxy Temp Case with Resilient Shock Absorption and Carbon Fiber Design for Galaxy Temp (2017)—Black”, <https://www.amazon.com/Spigen-Rugged-Galaxy-Resilient-Absorption/dp/B01MTEQVNB>, Earliest review date of Jul. 6, 2017, downloaded on Jan. 9, 2020.

“Spigen Rugged Armor Sony Xperia XZ Premium Case with Resilient Shock Absorption and Carbon Fiber Design for Sony Xperia XZ Premium (2017)—Black”, <https://www.amazon.com/dp/B072PRXPQC>, Earliest review date of Jul. 14, 2017, Downloaded on Jul. 18, 2018.

“Spigen Rugged Armor OnePlus 5 Case with Resilient Shock Absorption and Carbon Fiber Design for OnePlus 5 (2017)—Black”, <https://www.amazon.com/dp/B06XG19W3G>, Earliest review date of Jul. 25, 2017, Downloaded on Jul. 17, 2018.

“Spigen Rugged Armor Moto Z2 Play Case with Resilient Shock Absorption and Carbon Fiber Design for Moto Z2 Play—Black”, <https://www.amazon.com/dp/B071WR4H9V>, Earliest review date of Jul. 27, 2017, Downloaded on Jul. 17, 2018.

“Spigen Rugged Armor Galaxy Note 8 Case with Resilient Shock Absorption and Carbon Fiber Design for Galaxy Note 8 (2017)—Matte Black”, <https://www.amazon.com/Spigen-Rugged-Galaxy-Resilient-Absorption/dp/B073RWJ6Z7>, Earliest review date of Aug. 26, 2017, Downloaded on Jan. 15, 2019.

“Spigen Rugged Armor Galaxy Note 8 Case with Resilient Shock Absorption and Carbon Fiber Design for Galaxy Note 8 (2017)—Matte Black”, <https://www.amazon.com/Spigen-Rugged-Designed-Samsung-Galaxy/dp/B073RWJ6Z7>, Earliest review date of Aug. 26, 2017, Downloaded on Jul. 17, 2018.

“Spigen Rugged Crystal Designed for Samsung Galaxy Note 8 Case (2017)—Crystal Clear”, <https://www.amazon.com/Spigen-Rugged-Crystal-Designed-Samsung/dp/B073RWTZ5M>, Earliest review date of Aug. 30, 2017, downloaded on Jan. 9, 2020.

“Spigen Rugged Armor Moto E4 Case with Resilient Shock Absorption and Carbon Fiber Design for Moto E4 (2017)—Black”, <https://www.amazon.com/Spigen-Rugged-Armor-Designed-Motorola/dp/B073RVC6YY>, Earliest review date of Sep. 5, 2017, Downloaded on Jul. 17, 2018.

“Spigen Rugged Armor Extra Designed for Apple iPhone 7 Case (2016)—Black”, <https://www.amazon.com/Spigen-Rugged-iPhone-Resilient-Absorption/dp/B06XC8WL7P>, Earliest review date of Sep. 7, 2017, downloaded on Jan. 9, 2020.

\* cited by examiner

FIG. 1

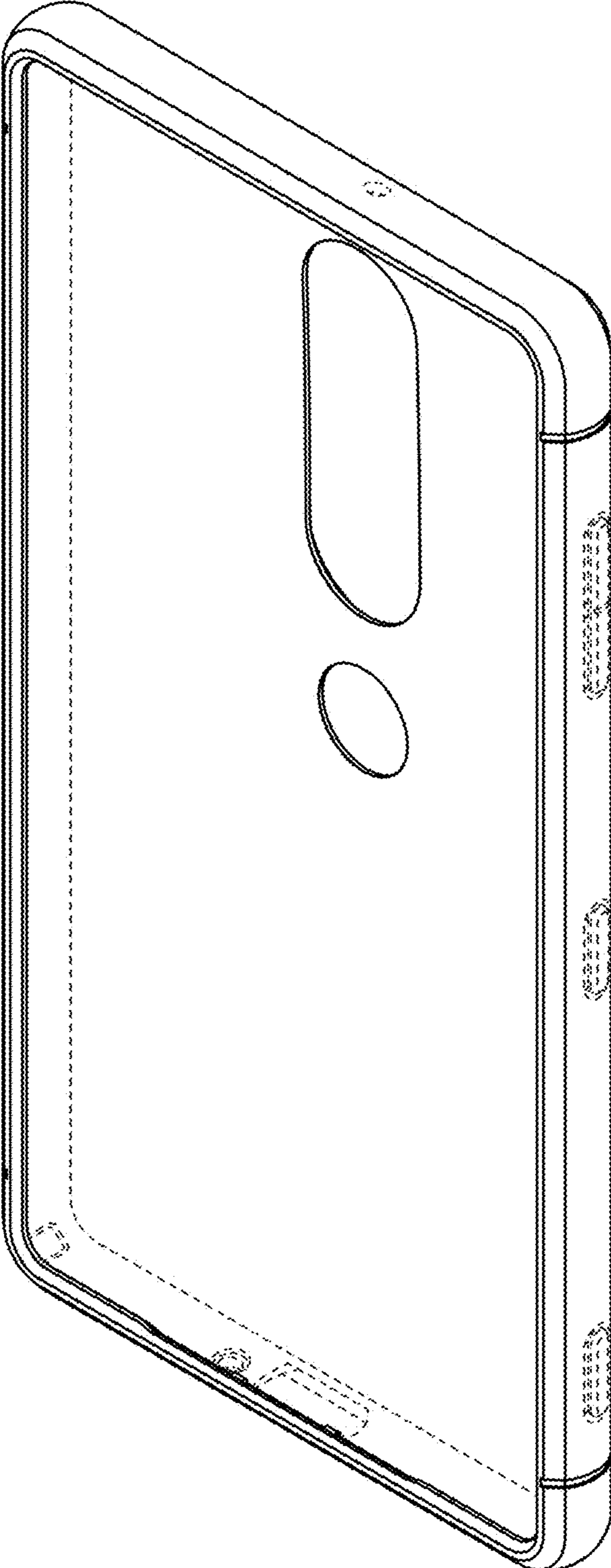


FIG. 2

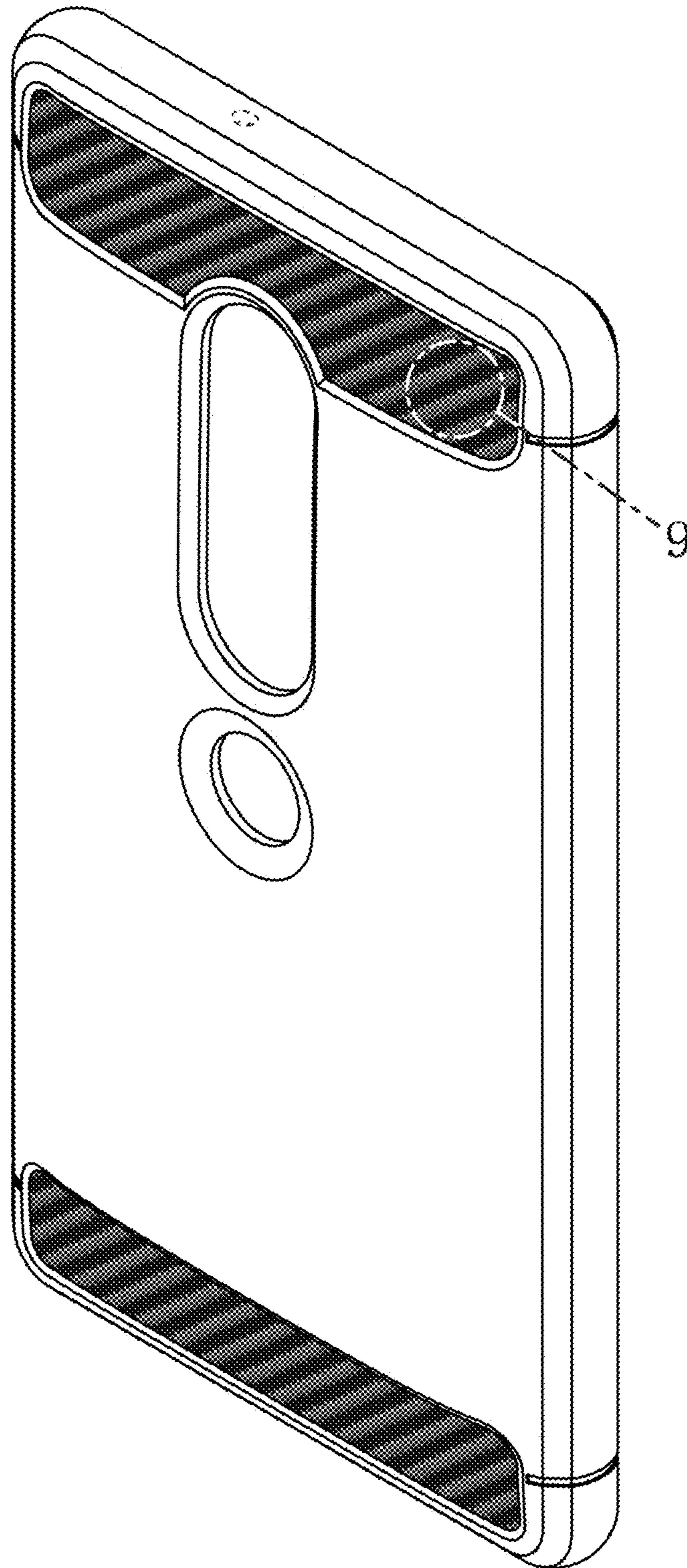


FIG. 3

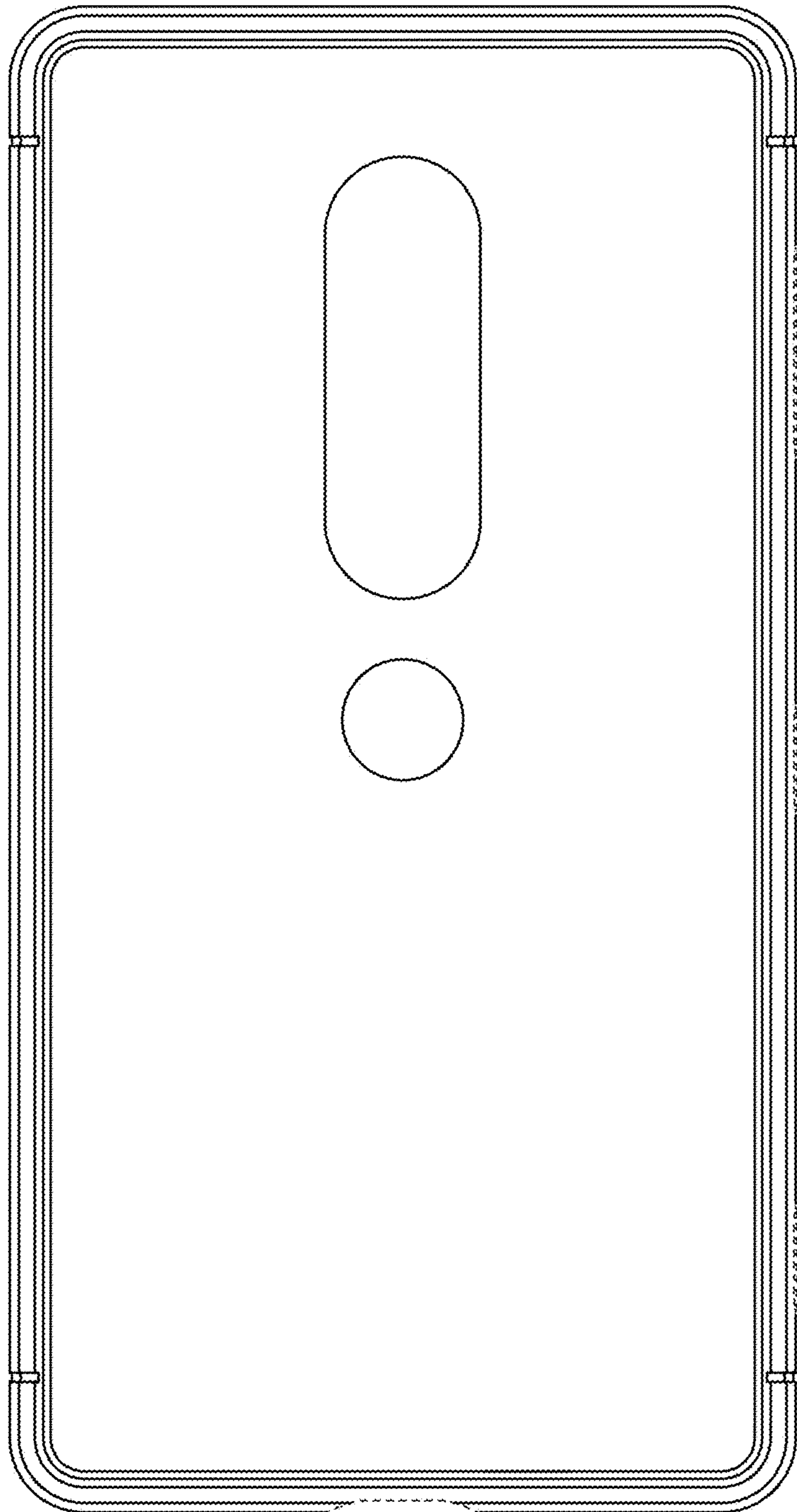


FIG. 4

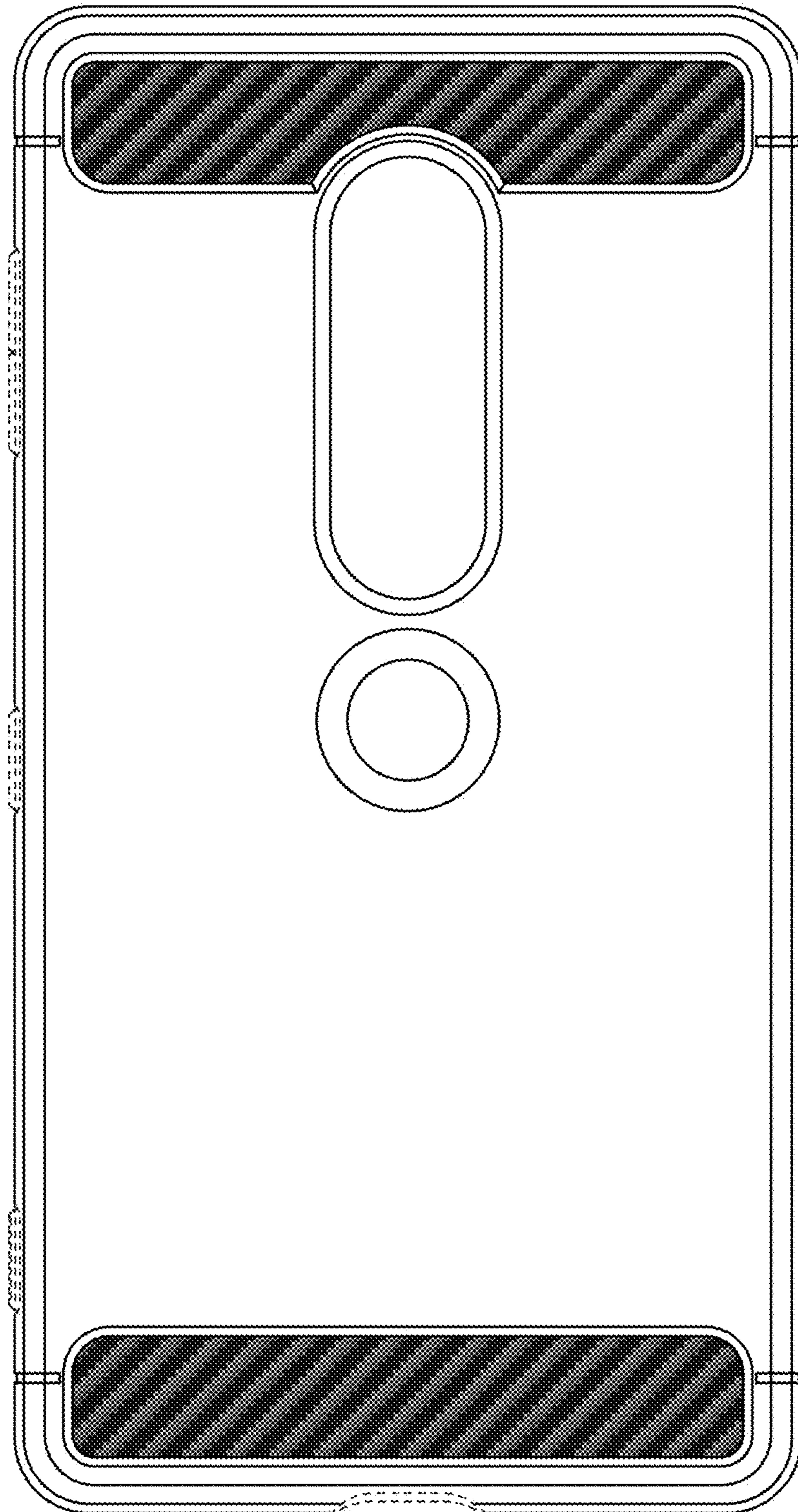




FIG. 5

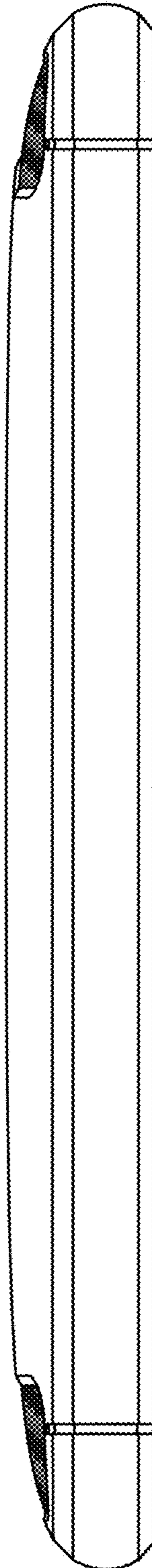


FIG. 6

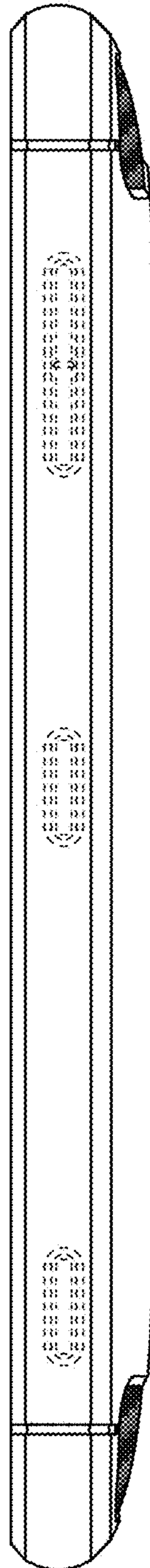


FIG. 7

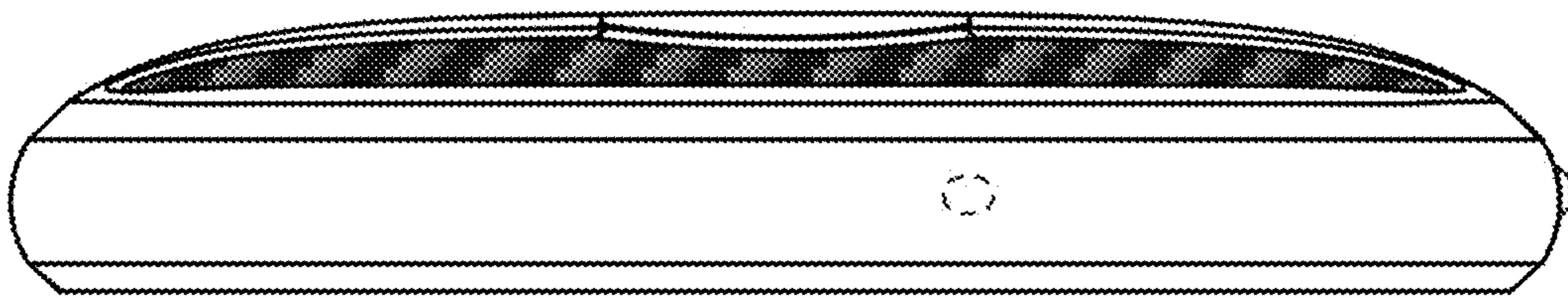


FIG. 8

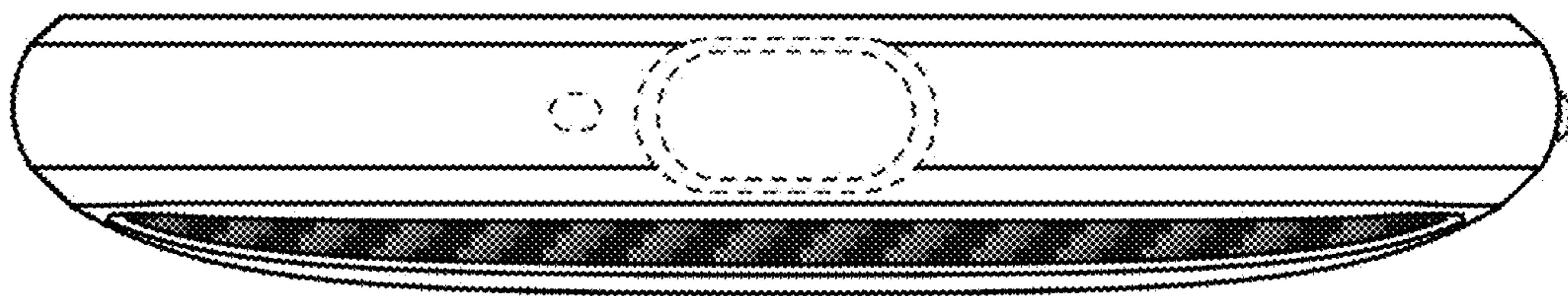


FIG. 9

