



US00D906303S

(12) **United States Design Patent** (10) **Patent No.:** **US D906,303 S**  
**Dubois et al.** (45) **Date of Patent:** **\*\* \*Dec. 29, 2020**

(54) **DRIVER DEVICE**  
(71) Applicant: **Kinestral Technologies, Inc.**, Hayward, CA (US)  
(72) Inventors: **Antoine Dubois**, Montreal (CA); **John B. Bogdan**, Logan, UT (US)  
(73) Assignee: **KINESTRAL TECHNOLOGIES, INC.**, Hayward, CA (US)

D490,403 S \* 5/2004 Wu ..... D14/240  
D499,087 S \* 11/2004 Peng ..... D14/240  
D532,001 S \* 11/2006 Burke ..... D14/240  
D535,651 S \* 1/2007 Wong ..... D14/240  
D559,234 S \* 1/2008 Girard ..... D14/240  
D607,443 S \* 1/2010 Klein ..... D14/240  
D611,462 S \* 3/2010 McGuire ..... D14/240  
D622,711 S \* 8/2010 Landry ..... D14/240  
D710,341 S \* 8/2014 Cheng ..... D14/240  
D766,894 S \* 9/2016 Jeong ..... D14/358  
D832,242 S \* 10/2018 Kwak ..... D14/240

(\* ) Notice: This patent is subject to a terminal disclaimer.  
(\*\* ) Term: **15 Years**

**FOREIGN PATENT DOCUMENTS**

CN 305286436 \* 8/2019

(21) Appl. No.: **29/681,883**  
(22) Filed: **Feb. 28, 2019**  
(51) **LOC (12) Cl.** ..... **14-03**  
(52) **U.S. Cl.**  
USPC ..... **D14/240**  
(58) **Field of Classification Search**  
USPC ..... D14/240, 242, 357, 358, 155, 125, 126,  
D14/137, 139, 243, 348, 349, 351, 354,  
D14/355  
CPC . H04L 12/66; H04L 63/0853; H04L 63/0272;  
H04L 63/083; H04L 63/105; H05K 7/20;  
H05K 7/20154  
See application file for complete search history.

\* cited by examiner

*Primary Examiner* — Bridget L Eland  
(74) *Attorney, Agent, or Firm* — Lowenstein Sandler LLP

(56) **References Cited**

**U.S. PATENT DOCUMENTS**

6,312,377 B1 \* 11/2001 Segermark ..... A61B 17/02  
600/201  
D465,481 S \* 11/2002 Haaparanta ..... D14/242

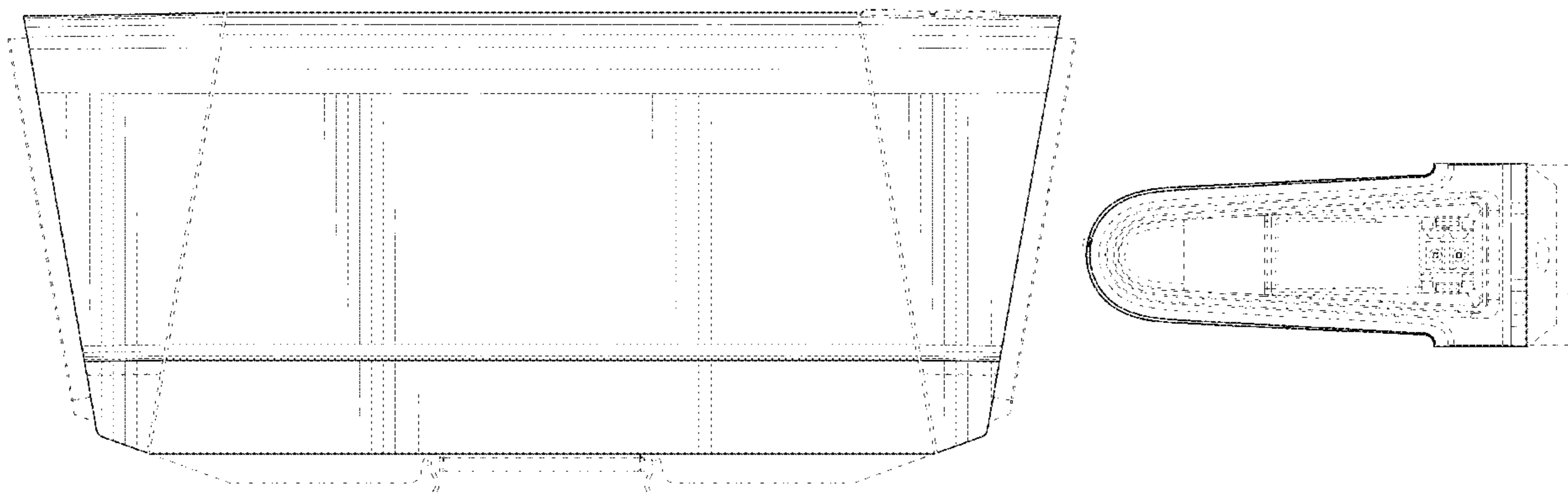
(57) **CLAIM**

The ornamental design for a driver device, as shown and described.

**DESCRIPTION**

FIG. 1 is a first side perspective view of a driver device showing our new design.  
FIG. 2 is a second side perspective view thereof.  
FIG. 3 is a top view thereof.  
FIG. 4 is a bottom view thereof.  
FIG. 5 is a first side view thereof.  
FIG. 6 is a second side view thereof.  
FIG. 7 is a third side view; and,  
FIG. 8 is a fourth side view thereof.  
The broken lines in the figures show portions of the driver device that form no part of the claimed design.

**1 Claim, 6 Drawing Sheets**



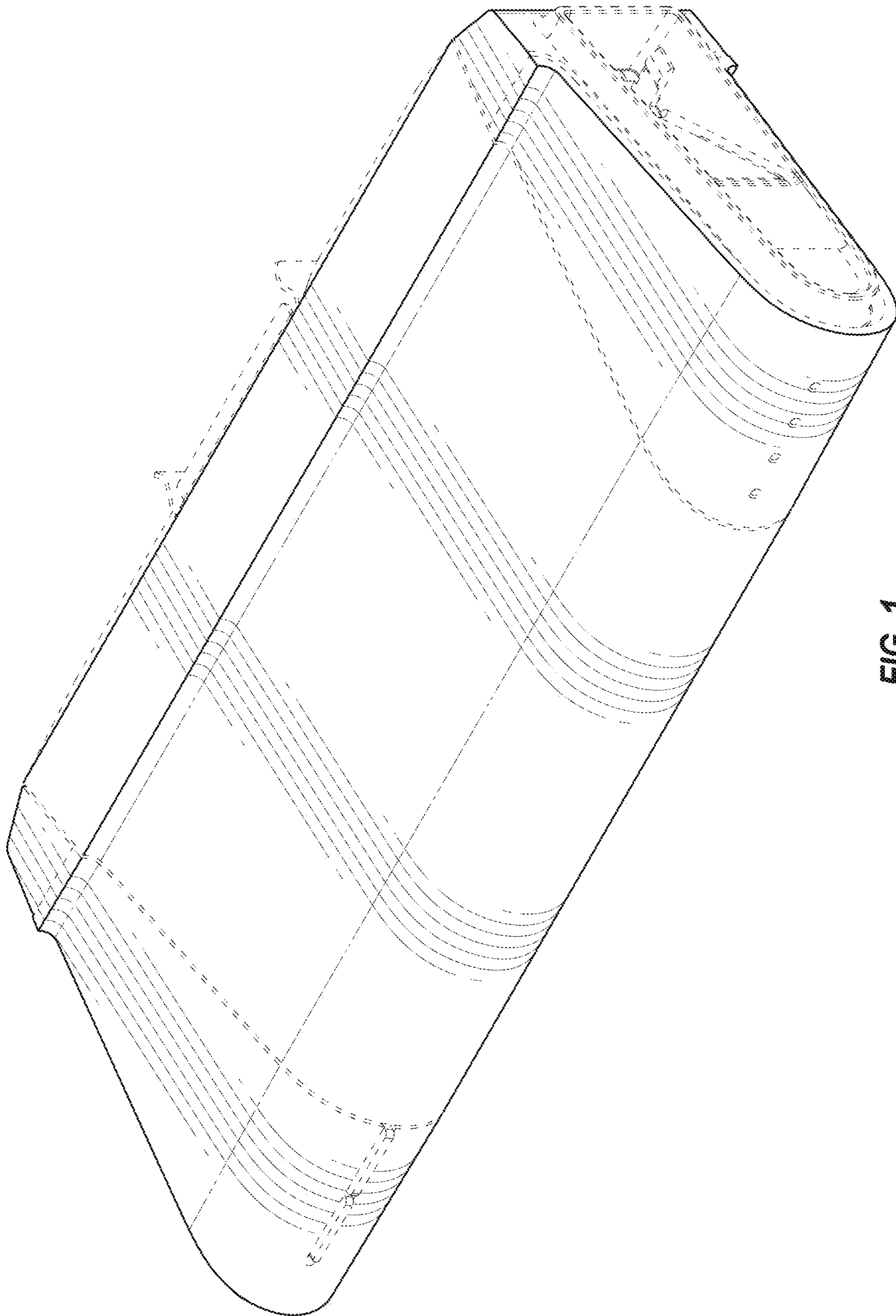


FIG. 1

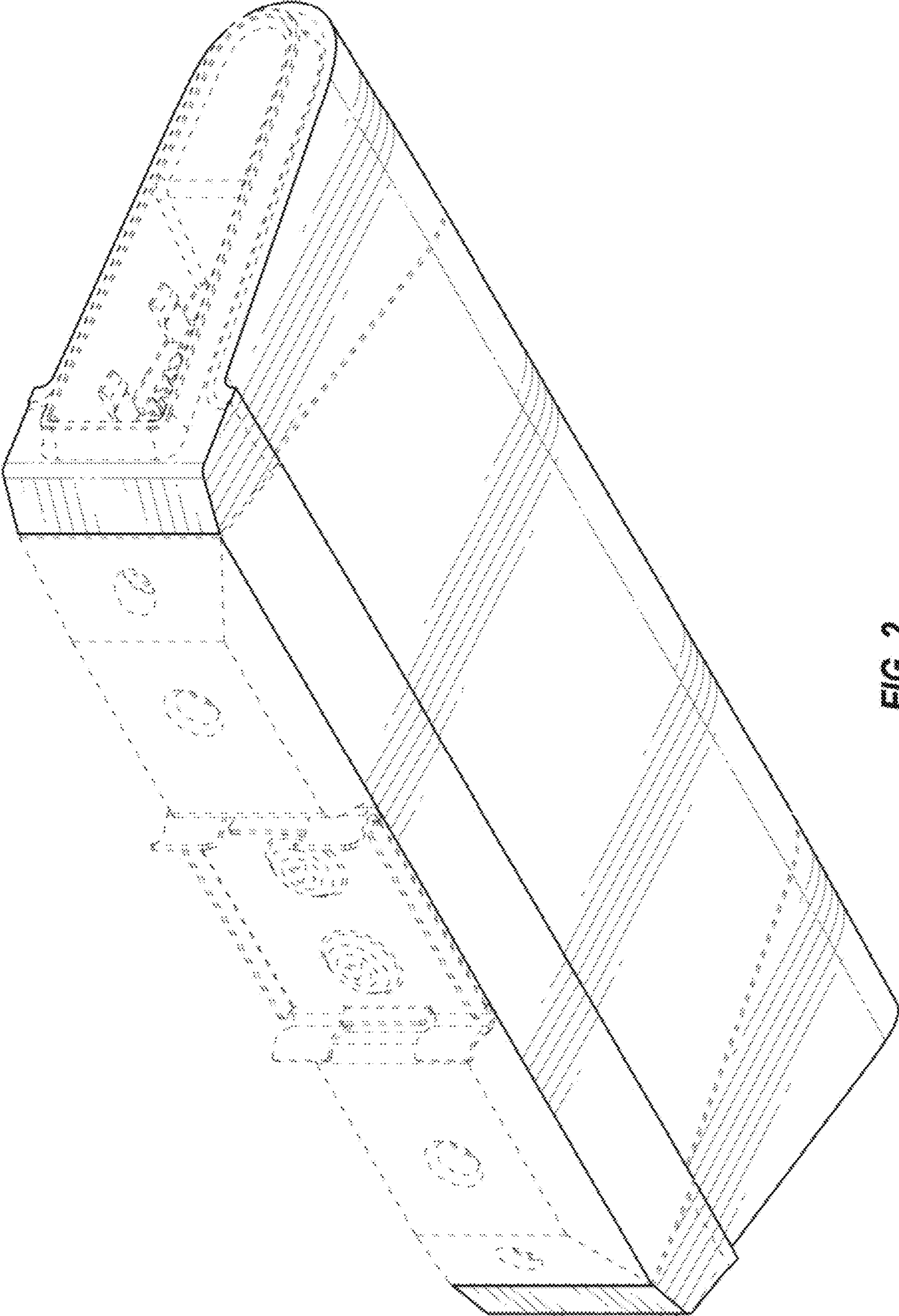


FIG. 2

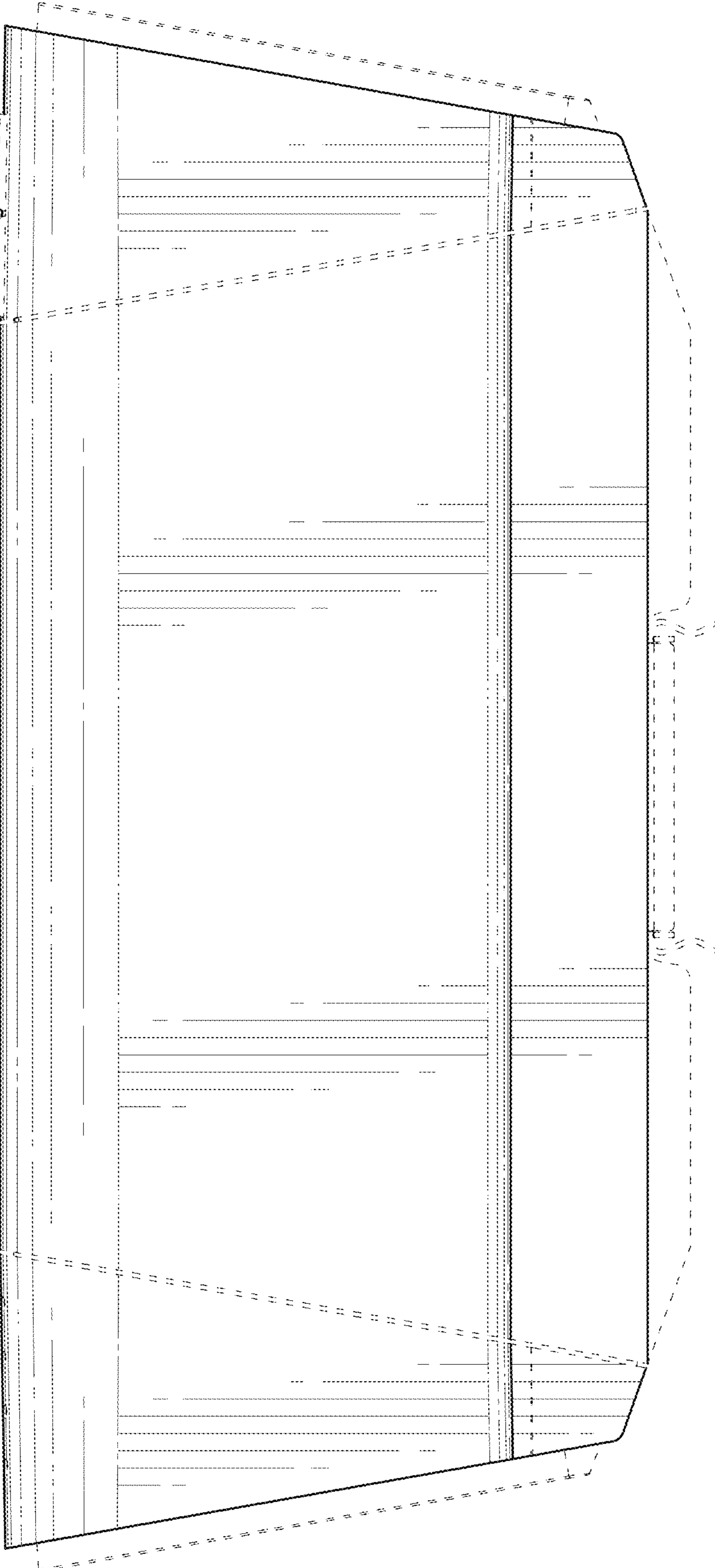


FIG. 3

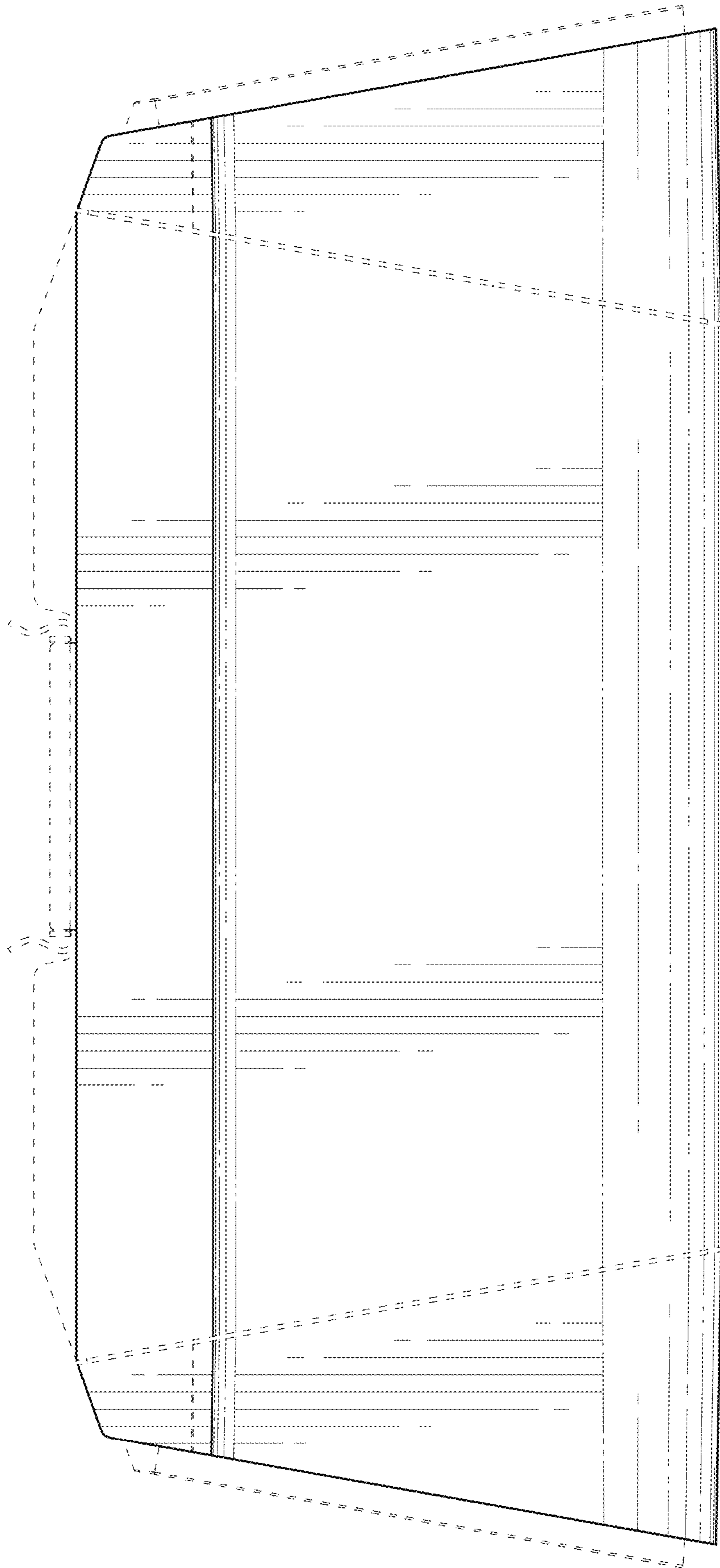
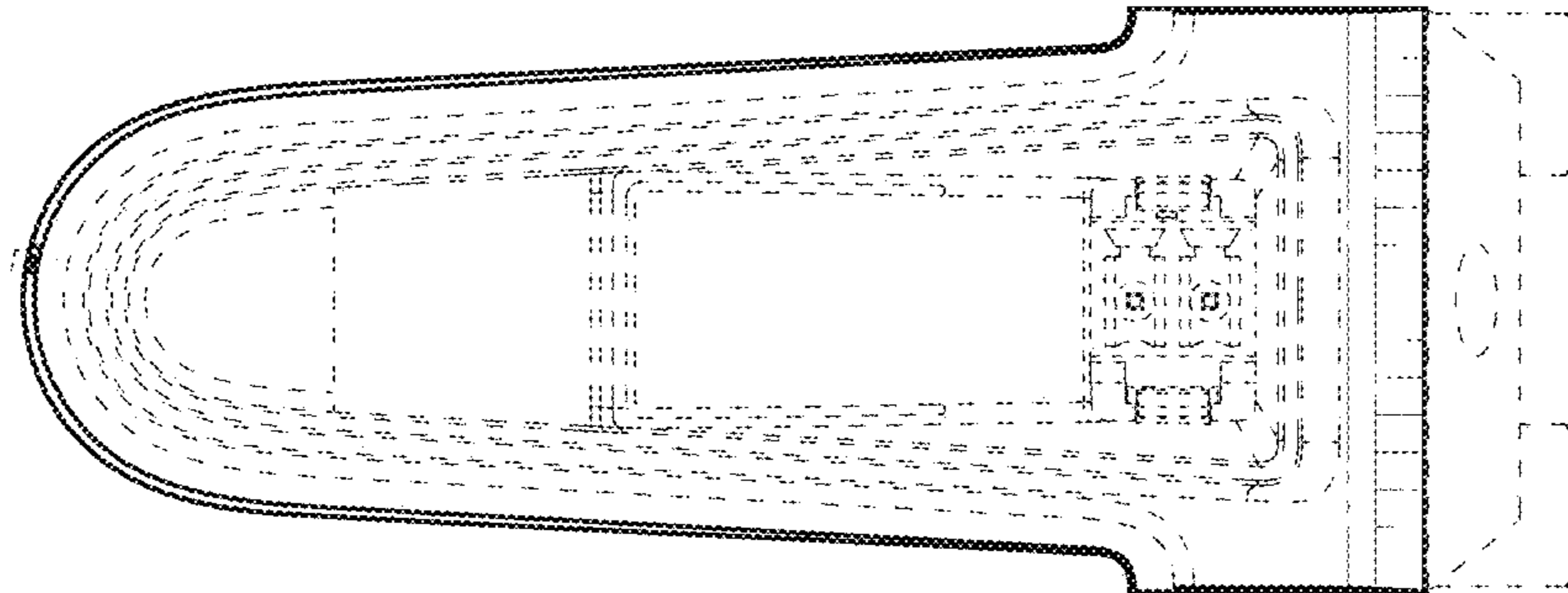
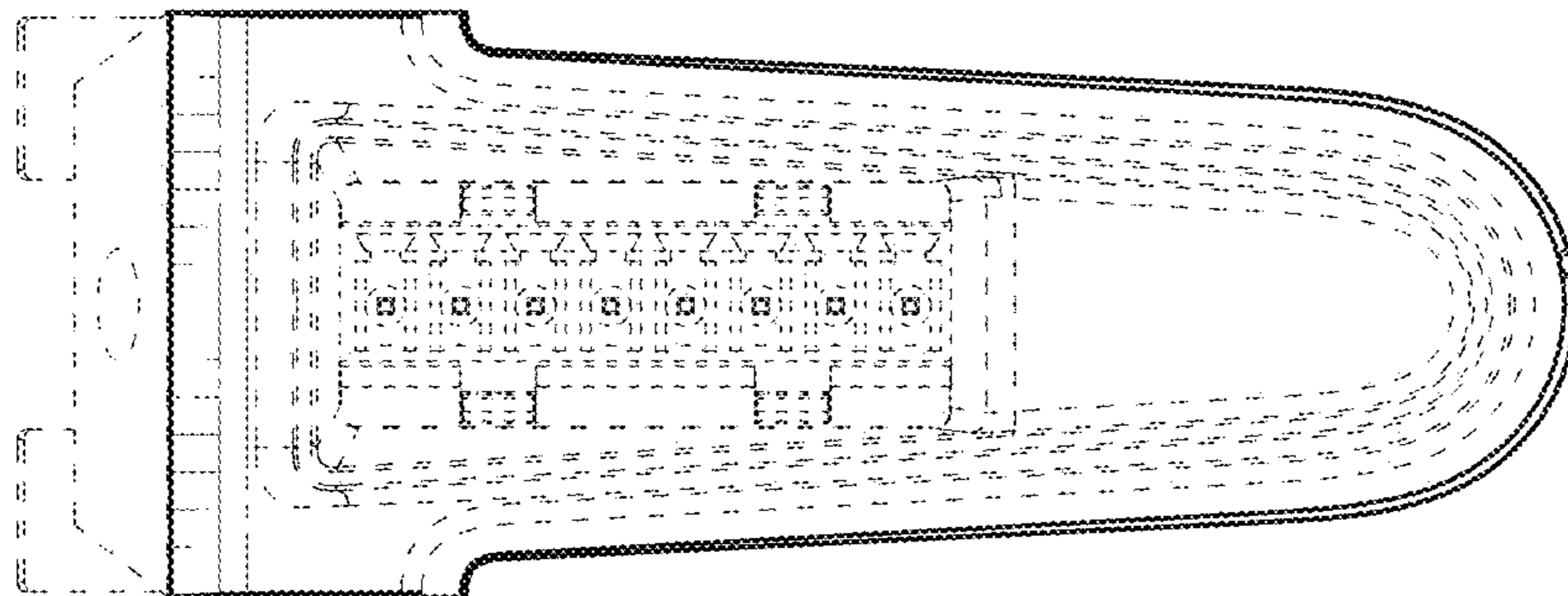


FIG. 4



**FIG. 5**



**FIG. 6**

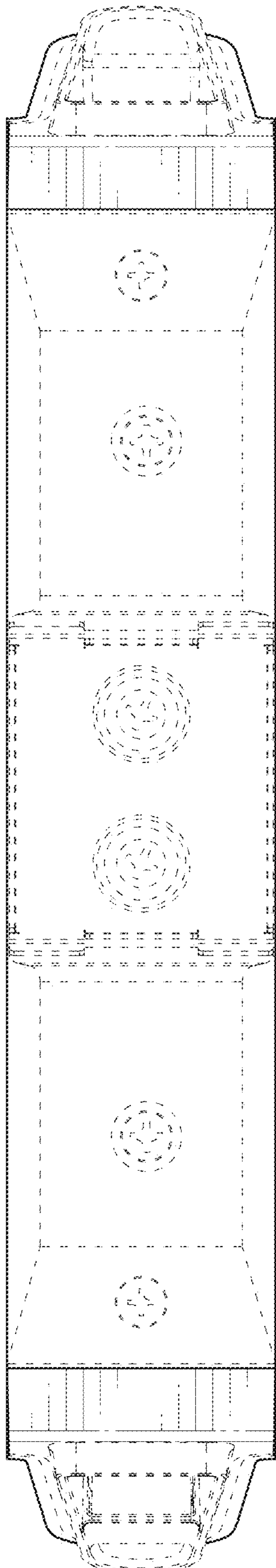


FIG. 7

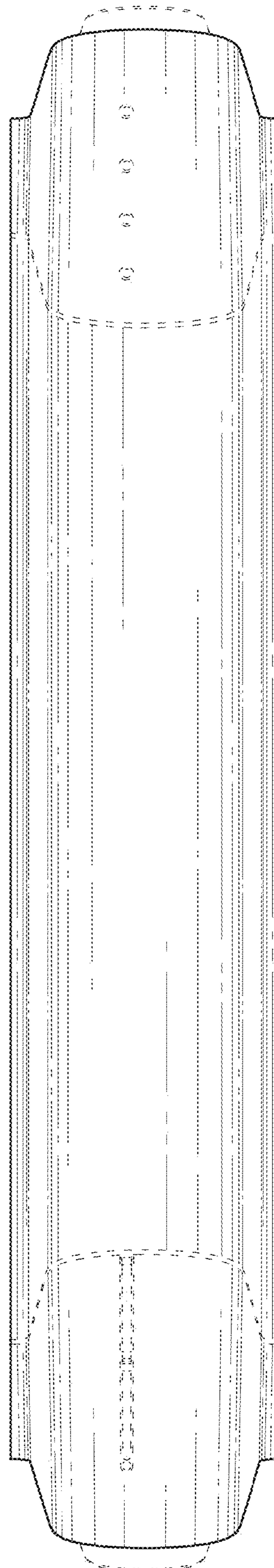


FIG. 8