



US00D906302S

(12) **United States Design Patent** (10) **Patent No.:** **US D906,302 S**
Yu et al. (45) **Date of Patent:** **** Dec. 29, 2020**

(54) **WIRELESS COMMUNICATION DEVICE**

(71) Applicant: **MILLITRONIC CO., LTD.**, New Taipei (TW)

(72) Inventors: **Ya-Chung Yu**, New Taipei (TW);
Chih-Min Lin, New Taipei (TW)

(73) Assignee: **Millitronic Co., Ltd.**, New Taipei (TW)

(**) Term: **15 Years**

(21) Appl. No.: **29/649,964**

(22) Filed: **Jun. 4, 2018**

(51) **LOC (12) Cl.** **14-03**

(52) **U.S. Cl.**
USPC **D14/240**; D14/358

(58) **Field of Classification Search**
USPC D14/240, 242, 356, 357, 358, 378, 383,
D14/384, 385, 386, 433, 434, 435.1,
D14/480.1, 480.4, 480.5, 439, 453, 496,
D14/168, 172; D13/103, 107, 108, 110,
D13/146
CPC H01R 25/003; H01R 25/006; H01R 27/02;
H01R 31/005; H01R 13/60; H01R
13/6658; H01R 13/72; G06F 1/1607;
G06F 1/1632; G06F 1/1684; G06F
13/382; G06F 13/4022
See application file for complete search history.

(56) **References Cited**

U.S. PATENT DOCUMENTS

- D542,784 S * 5/2007 Franck D14/240
- D634,326 S * 3/2011 Gehrke D14/435.1
- D635,142 S * 3/2011 Borislow D14/435.1
- D641,343 S * 7/2011 Kim D14/240
- D675,158 S * 1/2013 Smith D13/110
- D678,191 S * 3/2013 Fitch D13/108
- D801,340 S * 10/2017 Kim D14/435.1
- D805,087 S * 12/2017 Sumii D14/480.1
- D819,001 S * 5/2018 Lee D14/240

- D823,243 S * 7/2018 Toscani D13/107
- D823,844 S * 7/2018 Ramones D14/240
- D839,877 S * 2/2019 Osuki D14/480.1

(Continued)

OTHER PUBLICATIONS

Millitronic Hive Wireless (WiGig/Ultra-Fast 60GHz) Docking Station, Transmitter and Dock Receiver Kit, Newegg online, no post date, URL: <https://www.newegg.com/p/0EP-00SF-00002>, retrieved Dec. 17, 2019.*

Primary Examiner — Jeffrey D Asch

Assistant Examiner — Rebekah A Caruso

(74) *Attorney, Agent, or Firm* — Rosenbergs Klein & Lee

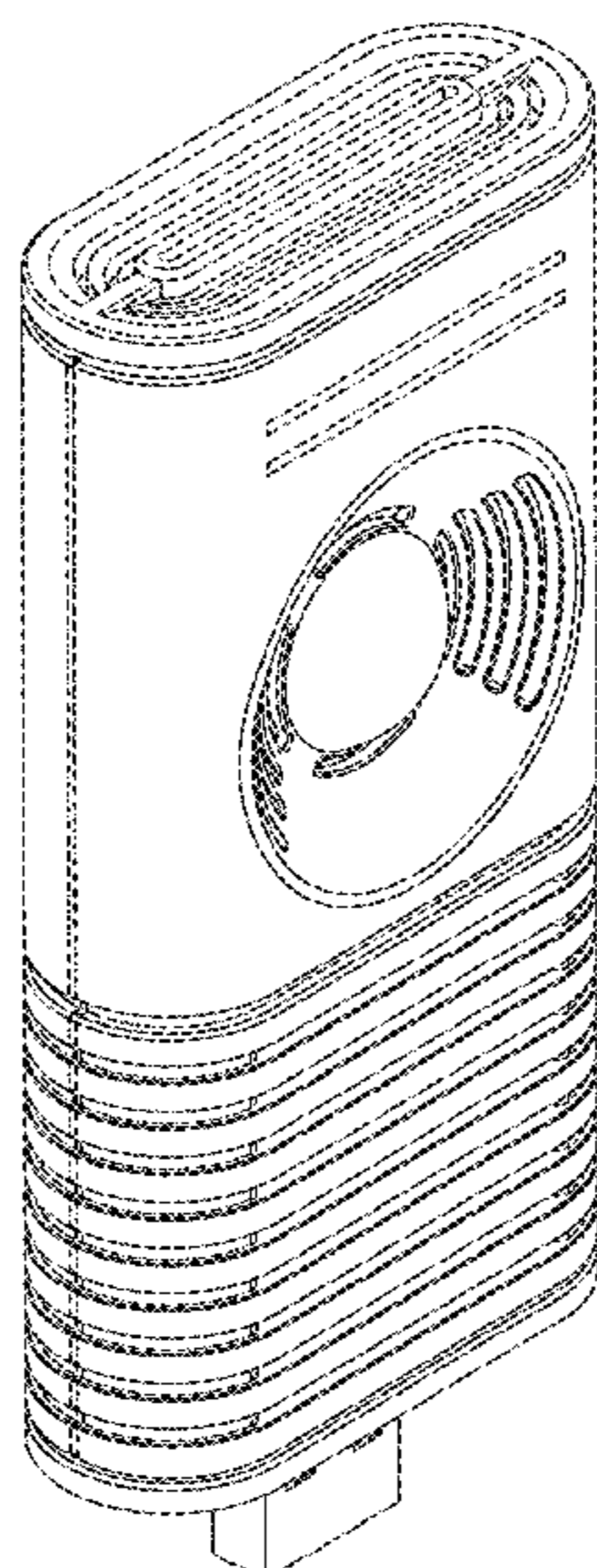
(57) **CLAIM**

The ornamental design for a wireless communication device, as shown and described.

DESCRIPTION

FIG. 1 is a left front perspective view of a wireless communication device showing the claimed design;
FIG. 2 is a front view thereof;
FIG. 3 is a rear view thereof;
FIG. 4 is a left side view thereof;
FIG. 5 is a right side view thereof;
FIG. 6 is a top view thereof;
FIG. 7 is a bottom view thereof; and,
FIG. 8 is a left front perspective view of the wireless communication device connected to an USB adapter.
The broken lines in the figures show portions of the wireless communication device that form no part of the claimed design. The dash-dot-dash lines in FIG. 7 represent the bounds of the claim and form no part of the claimed design. The broken lines depicting the features between the two sets of broken line boundaries in FIG. 7 and the broken lines depicting a USB adapter in FIG. 8 are directed to environment and form no part of the claimed design.

1 Claim, 8 Drawing Sheets



(56)

References Cited

U.S. PATENT DOCUMENTS

D844,631 S * 4/2019 Roberts D14/480.5
D846,557 S * 4/2019 Ehrensvard D14/480.1
D862,437 S * 10/2019 Lee D14/242
D867,280 S * 11/2019 Chen D13/103

* cited by examiner

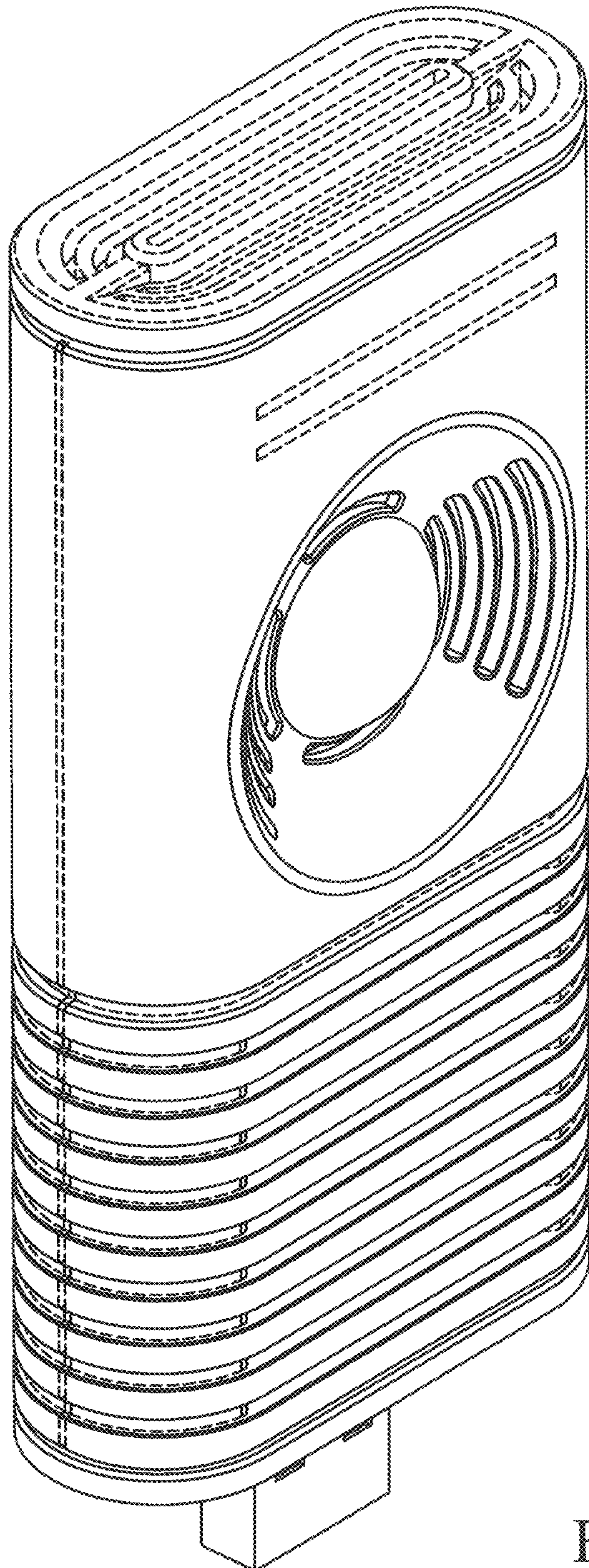


FIG. 1

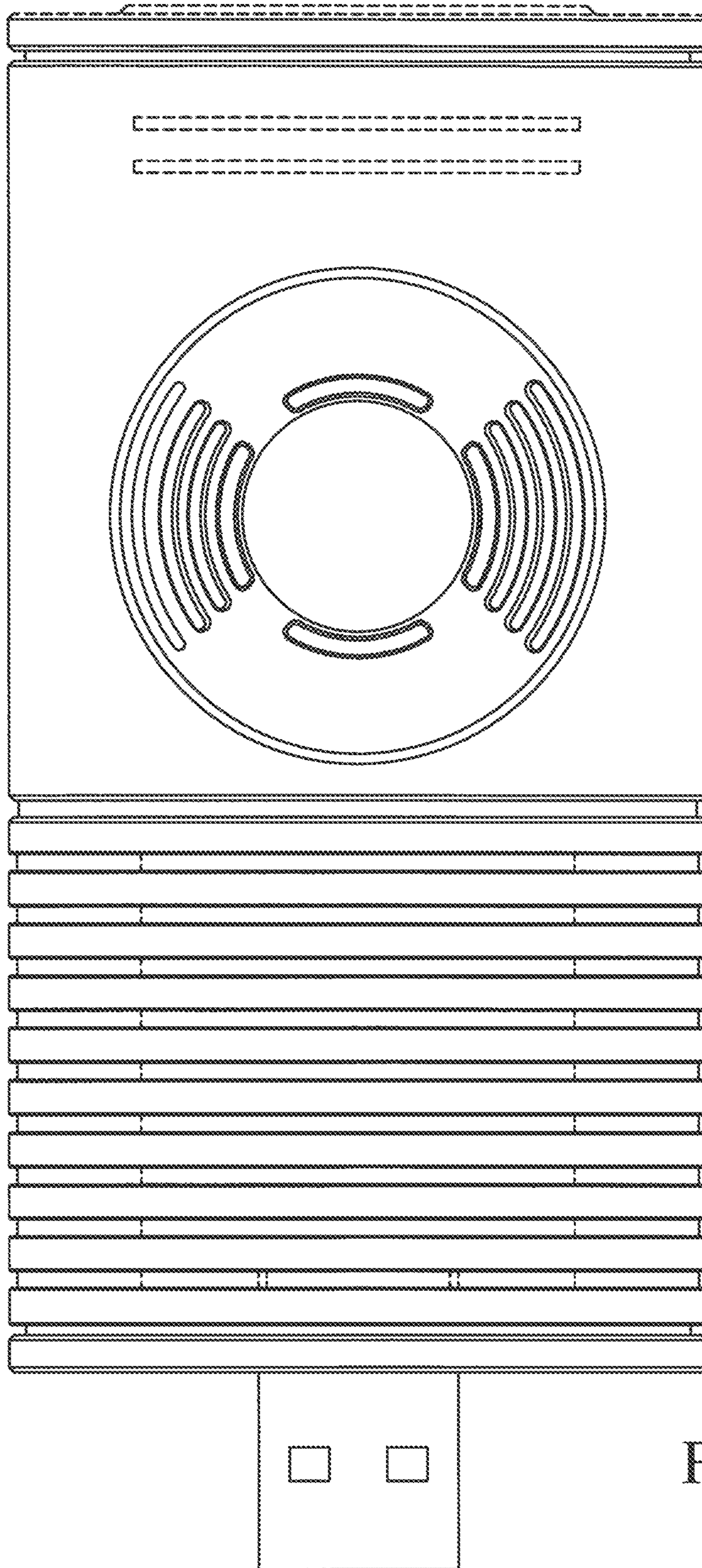


FIG. 2

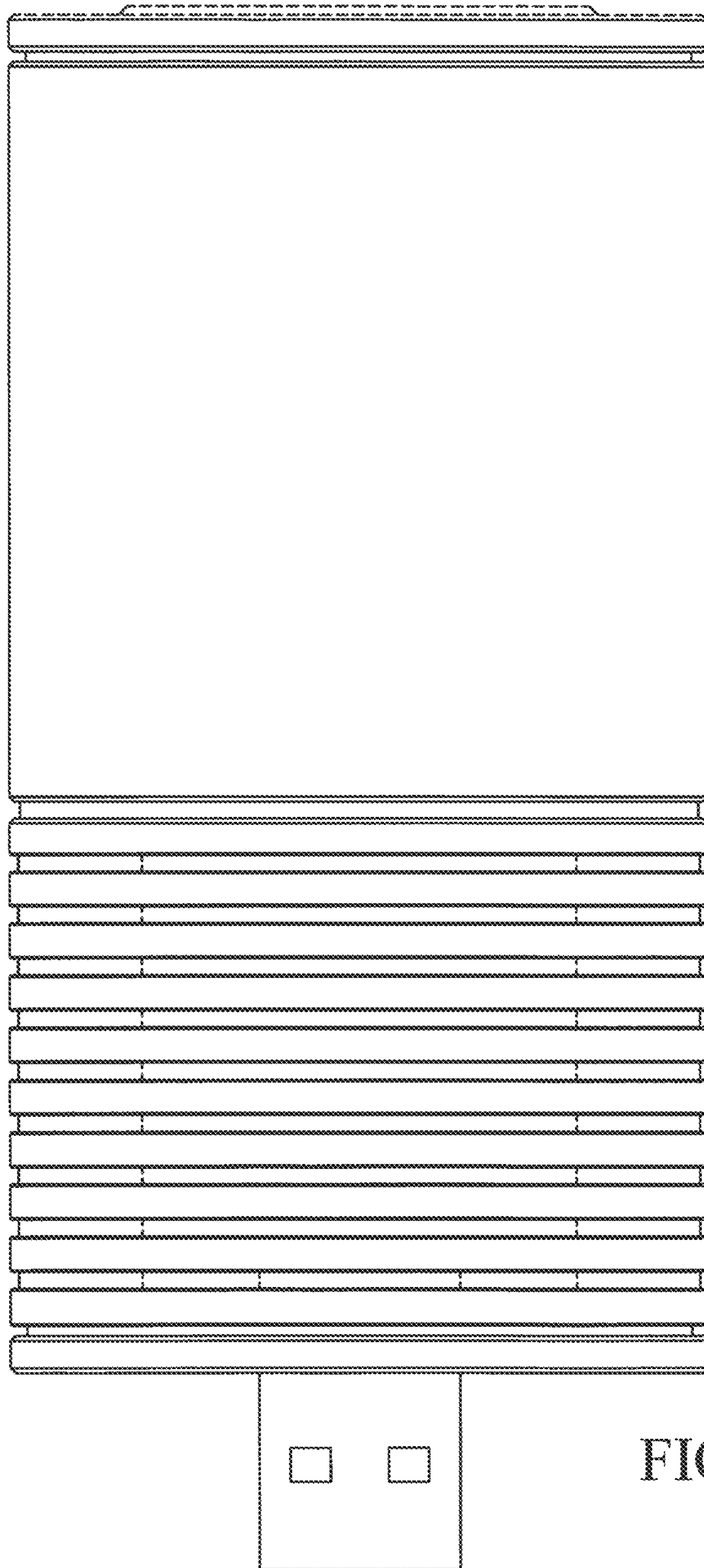


FIG. 3

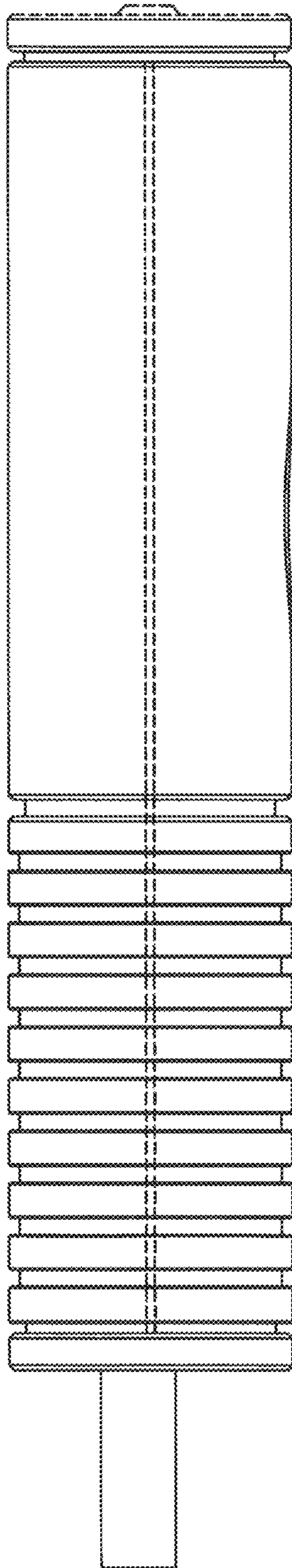


FIG. 4

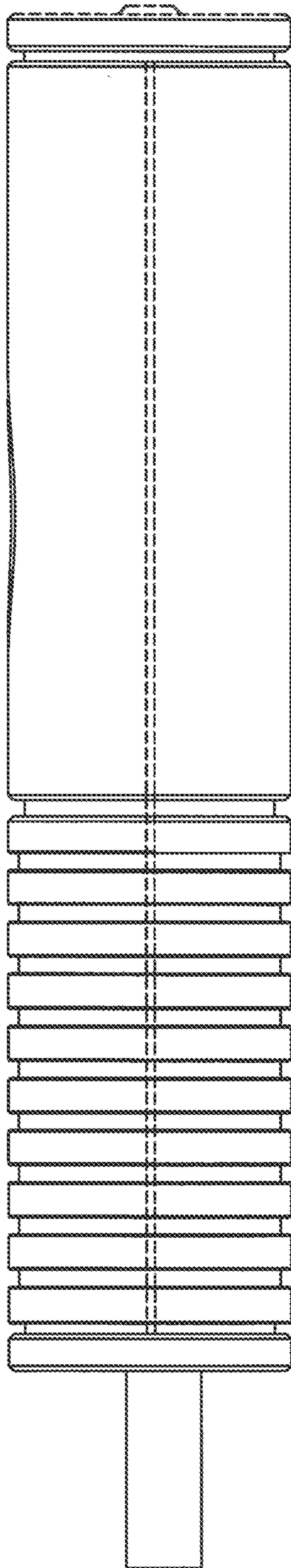


FIG. 5

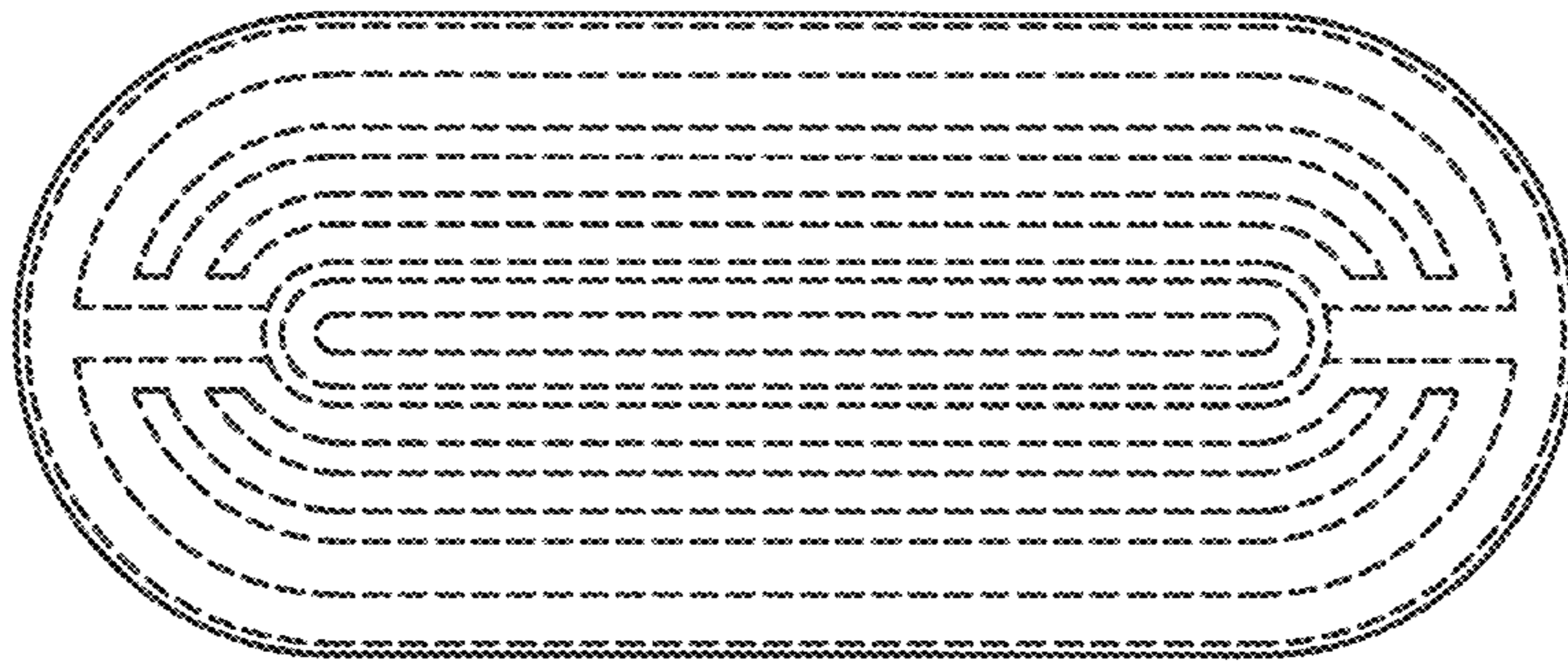


FIG. 6

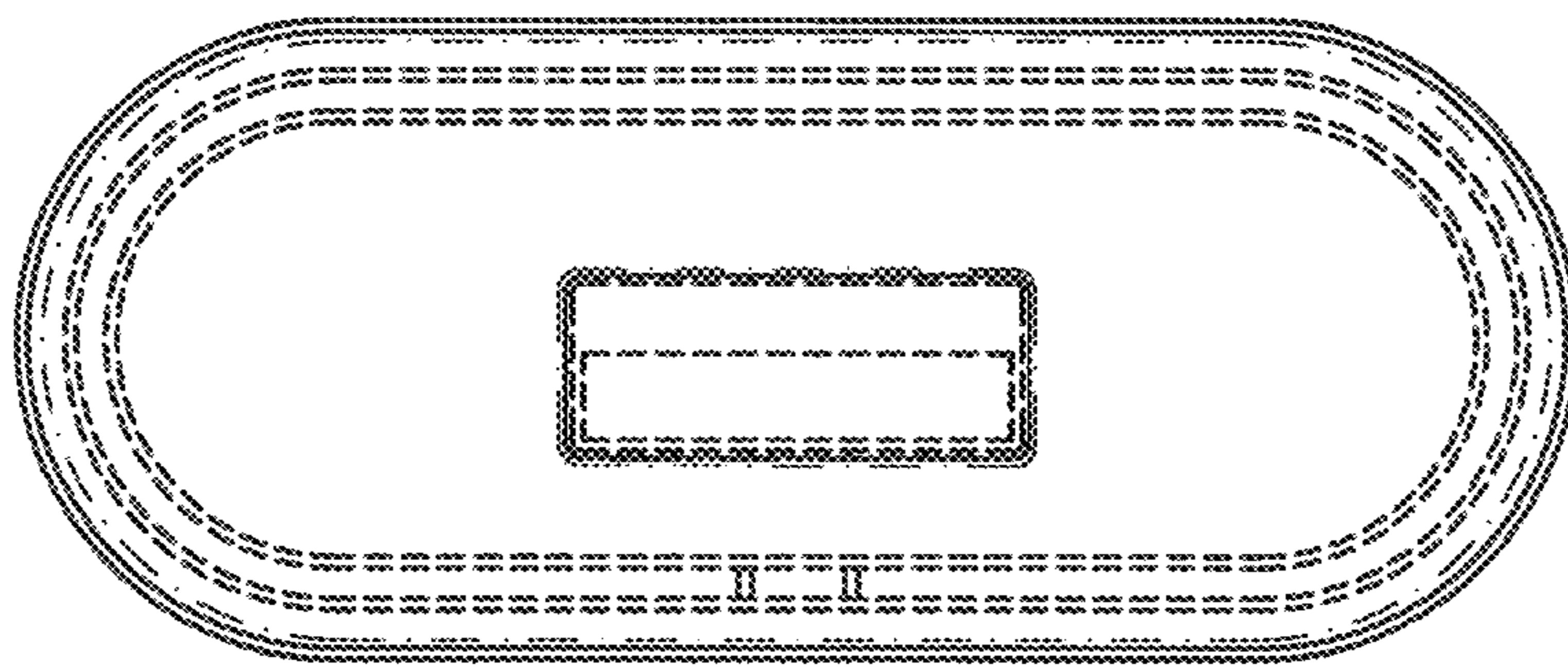


FIG. 7

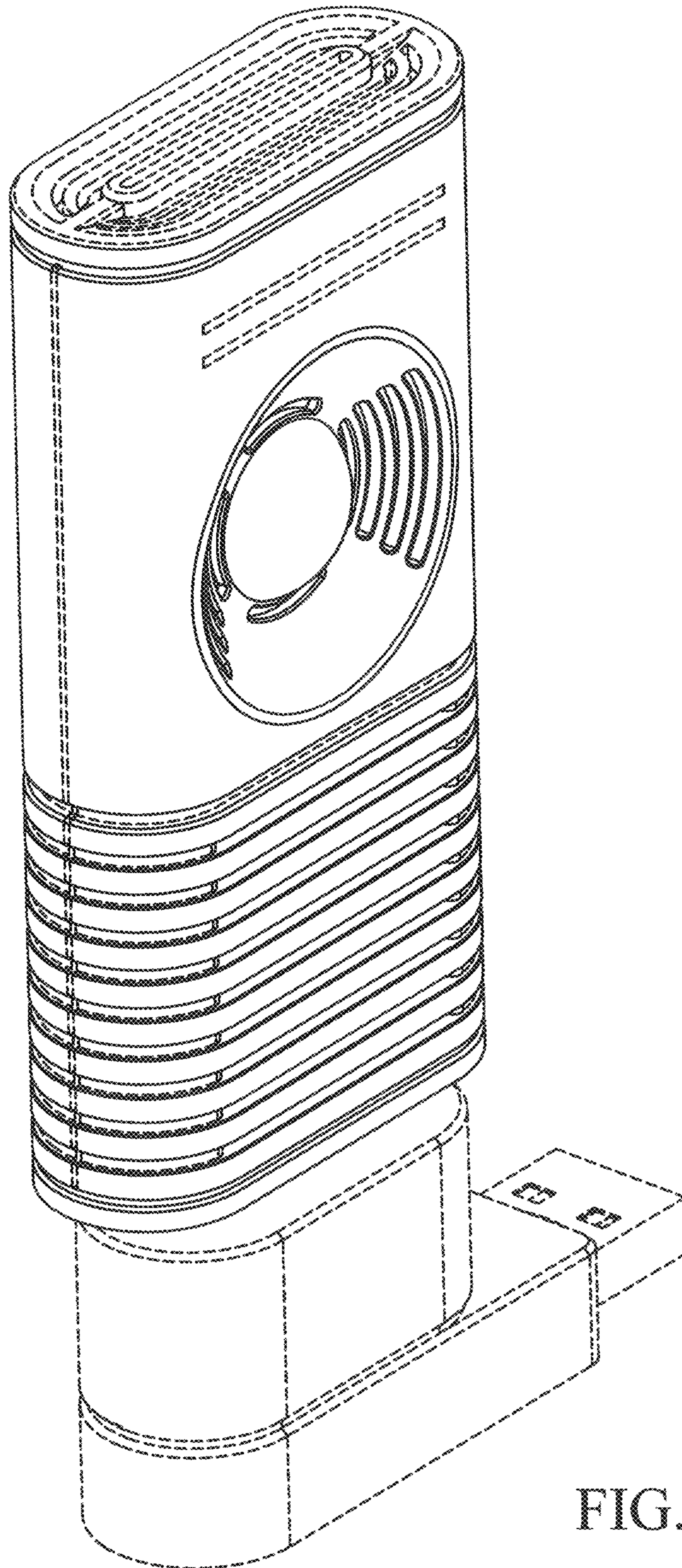


FIG. 8