



US00D906301S

(12) **United States Design Patent** (10) **Patent No.:** **US D906,301 S**  
**Seong et al.** (45) **Date of Patent:** **\*\* Dec. 29, 2020**

(54) **TELEVISION RECEIVER**

FOREIGN PATENT DOCUMENTS

(71) Applicant: **Samsung Electronics Co., Ltd.**,  
Suwon-si (KR)

CN 201630221214 \* 10/2016  
KR 30-0667787 S 11/2012

(Continued)

(72) Inventors: **Bo-Kyung Seong**, Daejeon (KR);  
**Gyoosang Choi**, Suwon-si (KR)

OTHER PUBLICATIONS

(73) Assignee: **SAMSUNG ELECTRONICS CO., LTD.**,  
Suwon-si (KR)

Samsung C27F398 27 Inch Curved LED Monitor, (c) 2016 [online],  
[retrieved Aug. 21, 2020], Retrieved from Internet, URL: <https://  
www.amazon.com/Samsung-LC27F398FWNXZA-C27F398-Curved-  
Monitor/dp/B01CX26WIG> (Year: 2016).\*

(Continued)

(\*\*) Term: **15 Years**

(21) Appl. No.: **29/686,622**

(22) Filed: **Apr. 5, 2019**

*Primary Examiner* — Barbara Fox

*Assistant Examiner* — Aram Kwon

(74) *Attorney, Agent, or Firm* — McAndrews Held &  
Malloy, Ltd.

(30) **Foreign Application Priority Data**

Oct. 12, 2018 (KR) ..... 30-2018-0047020

(51) **LOC (12) Cl.** ..... **14-03**

(52) **U.S. Cl.**  
USPC ..... **D14/239**; D14/126

(58) **Field of Classification Search**  
USPC ..... D14/125–137, 239, 314–316, 334, 335,  
D14/371; D9/414, 770; D6/300  
CPC ..... G06F 1/16; G06F 1/1601; G06F 1/1637;  
G06F 3/041; G06F 3/0412; G06F 3/0416;  
H04N 5/64; H05K 5/0204; H05K 5/0017;  
H05K 5/0217; H04M 1/725; H04M  
1/0202; H04M 1/0266

See application file for complete search history.

(57) **CLAIM**

The ornamental design for a television receiver, as shown  
and described.

**DESCRIPTION**

FIG. 1 is a front perspective view of a television receiver  
showing our new design;  
FIG. 2 is a front elevation view thereof;  
FIG. 3 is a rear elevation view thereof;  
FIG. 4 is a left side elevation view thereof;  
FIG. 5 is a right side elevation view thereof;  
FIG. 6 is a top plan view thereof;  
FIG. 7 is a bottom plan view thereof;  
FIG. 8 is a rear perspective view thereof; and,  
FIG. 9 is an enlarged view of the encircled portion in FIG.  
8.

The dashed broken lines in the figures depict portions of the  
television receiver that form no part of the claimed design.  
The dot-dot-dash broken lines encircling portions of the  
claimed design that are illustrated in enlargements form no  
part of the claimed design.

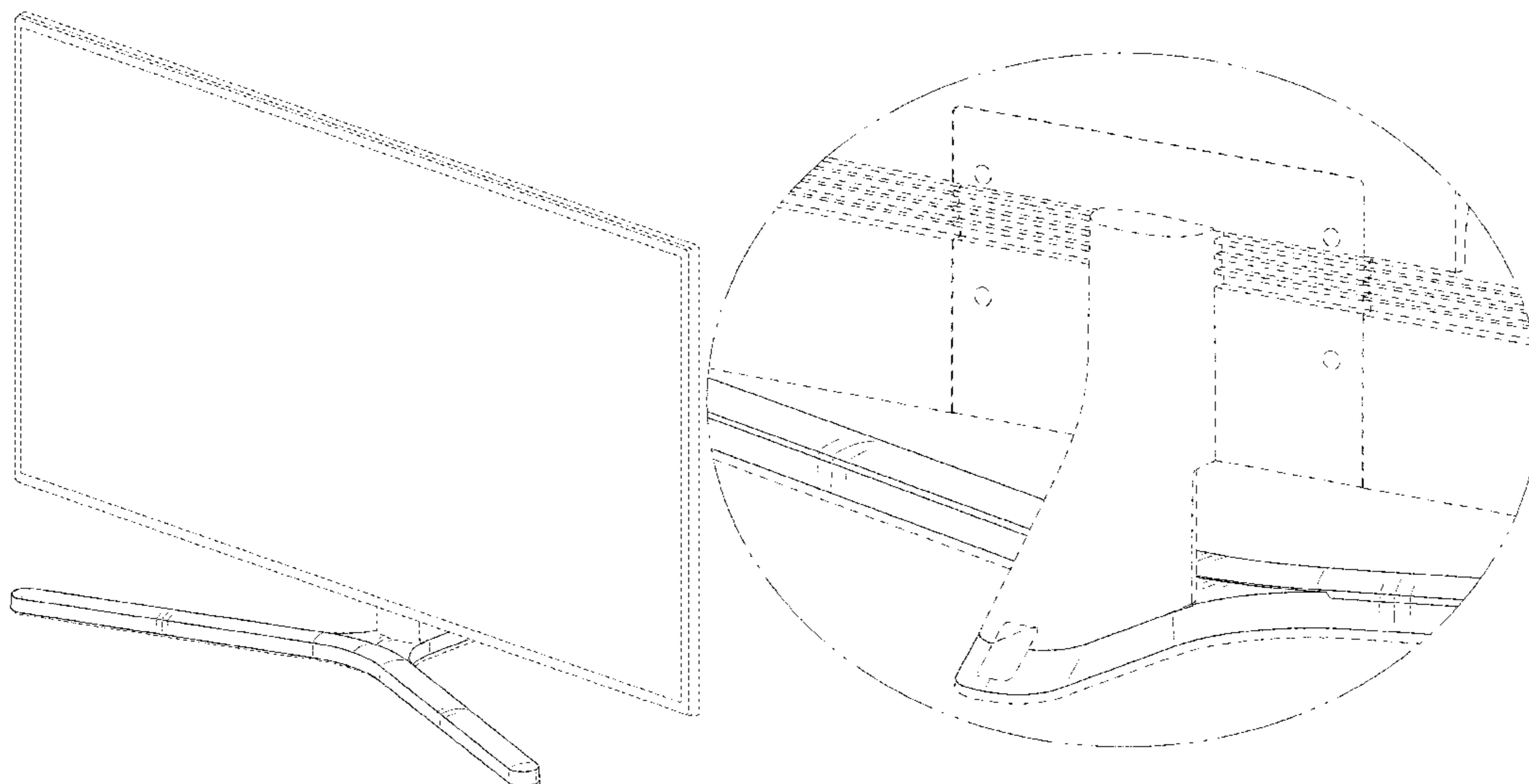
(56) **References Cited**

U.S. PATENT DOCUMENTS

D680,508 S \* 4/2013 Kim ..... D14/126  
D682,227 S \* 5/2013 Lee ..... D14/126  
D717,752 S \* 11/2014 Kim ..... D14/126  
D717,754 S \* 11/2014 Kim ..... D14/126  
D718,728 S \* 12/2014 Park ..... D14/126

(Continued)

**1 Claim, 9 Drawing Sheets**



(56)

References Cited

U.S. PATENT DOCUMENTS

D723,483	S	*	3/2015	Lee	.....	D14/126
D726,666	S	*	4/2015	Hwangbo	.....	D14/126
D726,667	S	*	4/2015	Kim	.....	D14/126
D743,953	S	*	11/2015	Ann	.....	D14/239
D745,864	S	*	12/2015	Jung	.....	D14/239
D746,799	S	*	1/2016	Kim	.....	D14/239
D747,299	S	*	1/2016	Kim	.....	D14/239
D747,300	S	*	1/2016	Kim	.....	D14/239
D747,703	S	*	1/2016	Kim	.....	D14/239
D748,080	S	*	1/2016	Jung	.....	D14/239
D758,983	S	*	6/2016	Kim	.....	D14/126
D763,213	S	*	8/2016	Ann	.....	D14/126
D795,850	S	*	8/2017	Choi	.....	D14/239
D796,463	S	*	9/2017	So	.....	D14/126
D817,901	S	*	5/2018	Lee	.....	D14/126
D819,028	S	*	5/2018	Seo	.....	D14/374
D834,584	S	*	11/2018	Jung	.....	D14/452
D835,073	S	*	12/2018	Kim	.....	D14/217
D836,583	S	*	12/2018	Cha	.....	D14/126
D858,472	S	*	9/2019	Lee	.....	D14/126
D865,698	S	*	11/2019	Seong	.....	D14/126
D888,067	S	*	6/2020	Seo	.....	D14/451
D888,677	S	*	6/2020	Ryu	.....	D14/126
D888,695	S	*	6/2020	Seong	.....	D14/230
D892,095	S	*	8/2020	Seong	.....	D14/230

FOREIGN PATENT DOCUMENTS

KR	30-0757709	S	8/2014
KR	30-0872762	S	9/2016
KR	3020180047020	*	1/2020
RU	2015500318	*	2/2016
WO	WOD201596-003	*	8/2019
WO	WOD201979-002	*	10/2019

OTHER PUBLICATIONS

LG—55" Class NanoCell 81 Series, 2020 [online], [retrieved Aug. 21, 2020], Retrieved from Internet, URL: <<https://www.bestbuy.com/site/lg-55-class-nanocell-81-series-led-4k-uhd-smart-weboos-tv/6406539.p?skuId=6406539>> (Year: 2020).\*

Samsung . . . HDR Smart 4K TV, (c) 2019 [online], [retrieved Aug. 21, 2020], Retrieved from Internet, URL: <[https://www.amazon.co.uk/Samsung-43-inch-RU7410-Dynamic-Crystal/dp/B07QDSH3DH/ref=sr\\_1\\_5?dchild=1&keywords=sannsung+television&qid=%E2%80%A6](https://www.amazon.co.uk/Samsung-43-inch-RU7410-Dynamic-Crystal/dp/B07QDSH3DH/ref=sr_1_5?dchild=1&keywords=sannsung+television&qid=%E2%80%A6)> (Year: 2019).\*

Samsung 65" UHD SMART TV, (c) 2019 [online], [retrieved Aug. 21, 2020], Retrieved from Internet, URL: <[https://www.amazon.co.uk/Samsung-UE65RU7449-163cm-UHD-SMART/dp/B07PTBFGPL/ref=sr\\_1\\_66?dchild=1&keywords=samsung+television&qid=%E2%80%A6](https://www.amazon.co.uk/Samsung-UE65RU7449-163cm-UHD-SMART/dp/B07PTBFGPL/ref=sr_1_66?dchild=1&keywords=samsung+television&qid=%E2%80%A6)> (Year: 2019).\*

Sceptre, "Sceptre C275B-144R 27" Curved Gaming Monitor 1920x1080 144Hz Refresh Rate DisplayPort HDMI DVI Ports (2018) Metal Black" found at amazon.com: <[https://www.amazon.com/Sceptre-C275B-144R-Monitor-1920x1080-DisplayPort/dp/B07BVW5TV5/ref=sr\\_1\\_169?s=pc&ie=UTF8&qid=1529301992&sr=1-169&k](https://www.amazon.com/Sceptre-C275B-144R-Monitor-1920x1080-DisplayPort/dp/B07BVW5TV5/ref=sr_1_169?s=pc&ie=UTF8&qid=1529301992&sr=1-169&k)> (Last accessed Apr. 5, 2019).

HKC Europe B.V., published on the Internet at [hkc-eu.com](http://hkc-eu.com): <<http://hkc-eu.com/nb32ch/>> (Last accessed Apr. 5, 2019).

Sceptre, "Sceptre C275B-144R 27" Curved Gaming Monitor 1920x1080 144Hz Refresh Rate DisplayPort HDMI DVI Ports (2018) Metal Black" found at amazon.com: <[https://www.amazon.com/Sceptre-C275B-144R-Monitor-1920x1080-DisplayPort/dp/B07BVW5TV5/ref=sr\\_1\\_169?s=pc&ie=UTF8&qid=1529301992&sr=1-169&k](https://www.amazon.com/Sceptre-C275B-144R-Monitor-1920x1080-DisplayPort/dp/B07BVW5TV5/ref=sr_1_169?s=pc&ie=UTF8&qid=1529301992&sr=1-169&k)> :Last accessed Apr. 5, 2019).

"139cm (55) Curved UHD TV 55 inch Samsung genuine panel M55FCCS", published on the internet at [itempage3.auction.co.kr](http://itempage3.auction.co.kr): <<http://itempage3.auction.co.kr/DetailView.aspx?ItemNo=B296600005&frm3=V2>> (Last accessed Apr. 5, 2019).

\* cited by examiner

FIG. 1

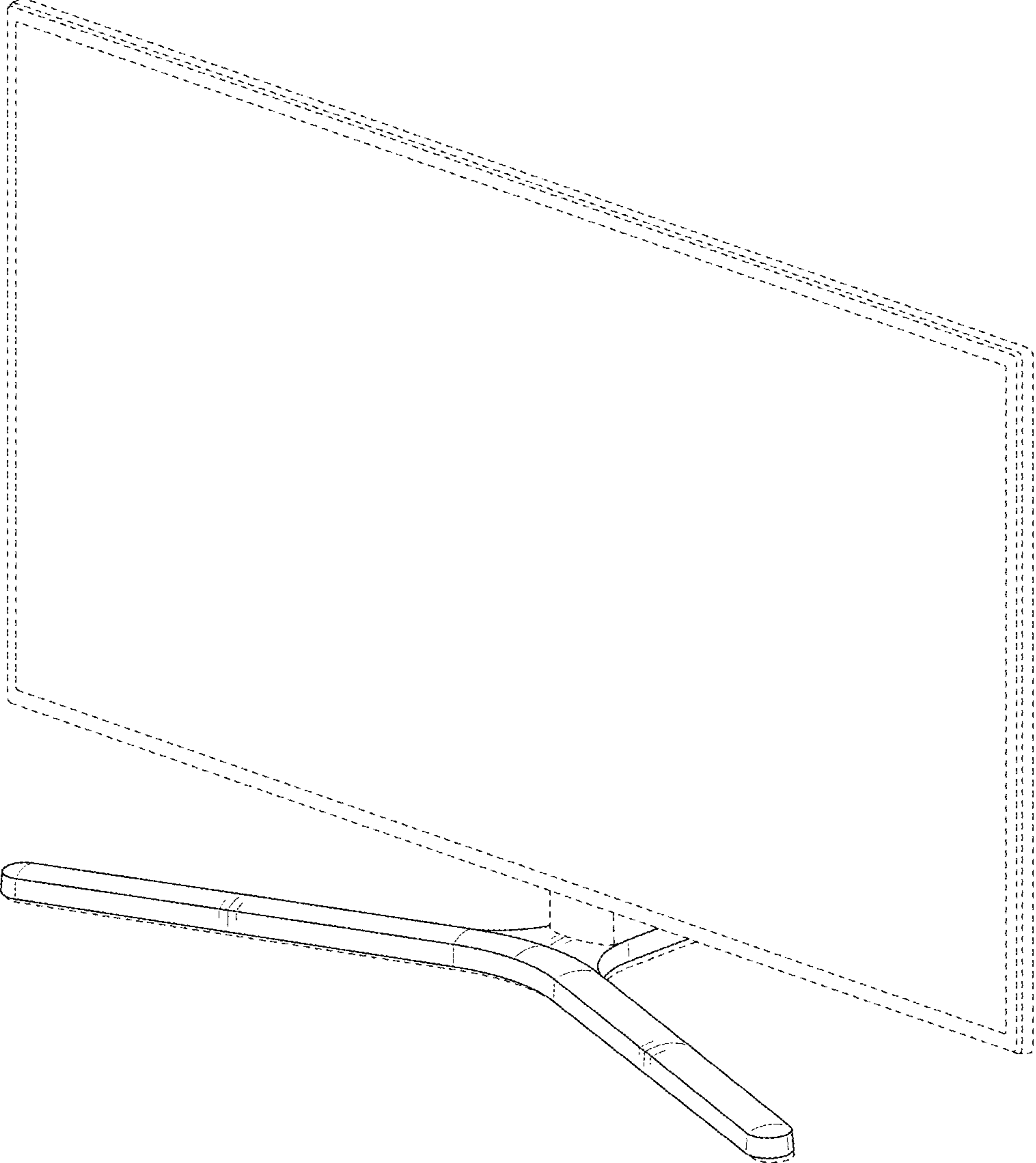


FIG. 2

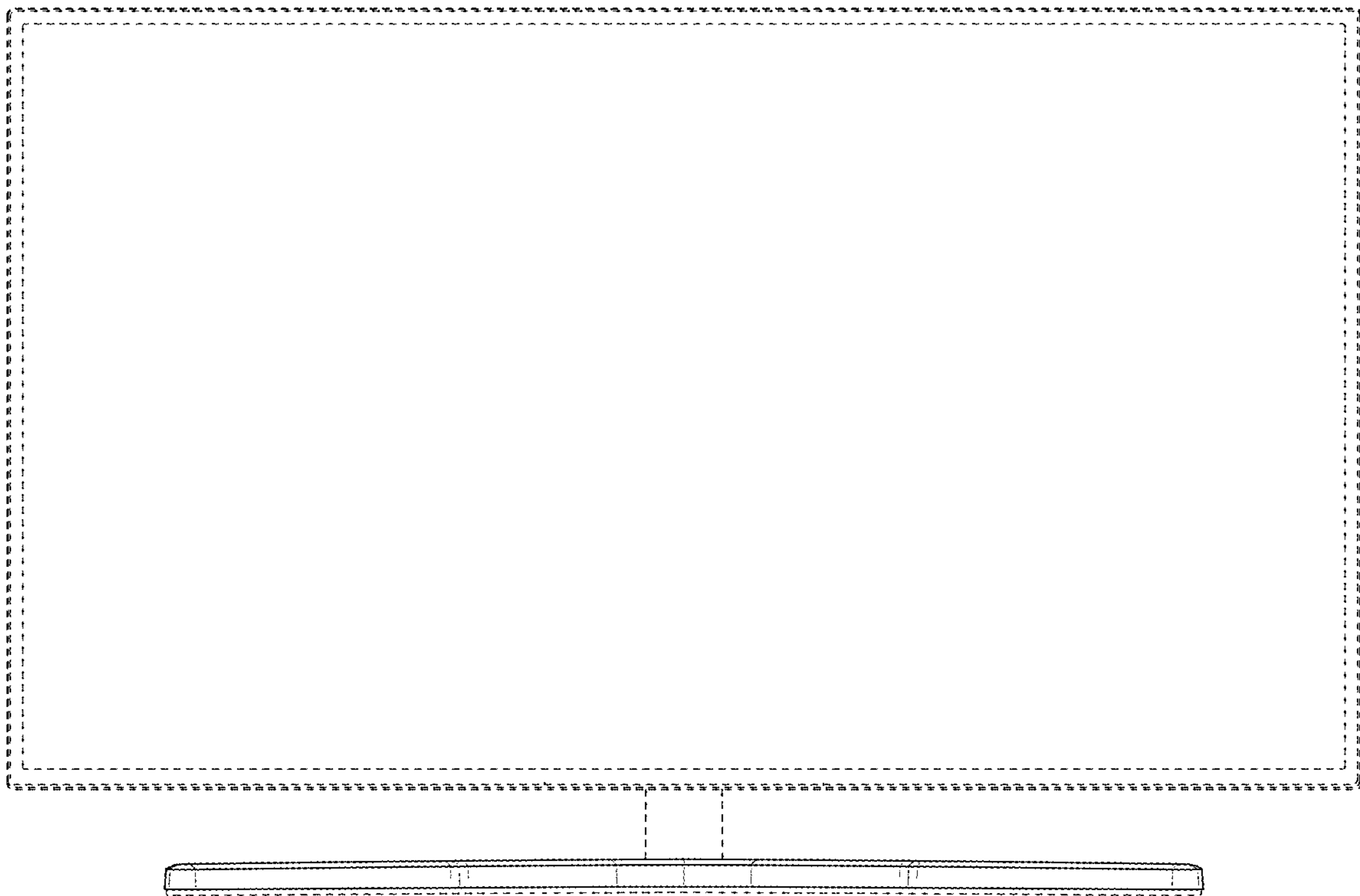


FIG. 3

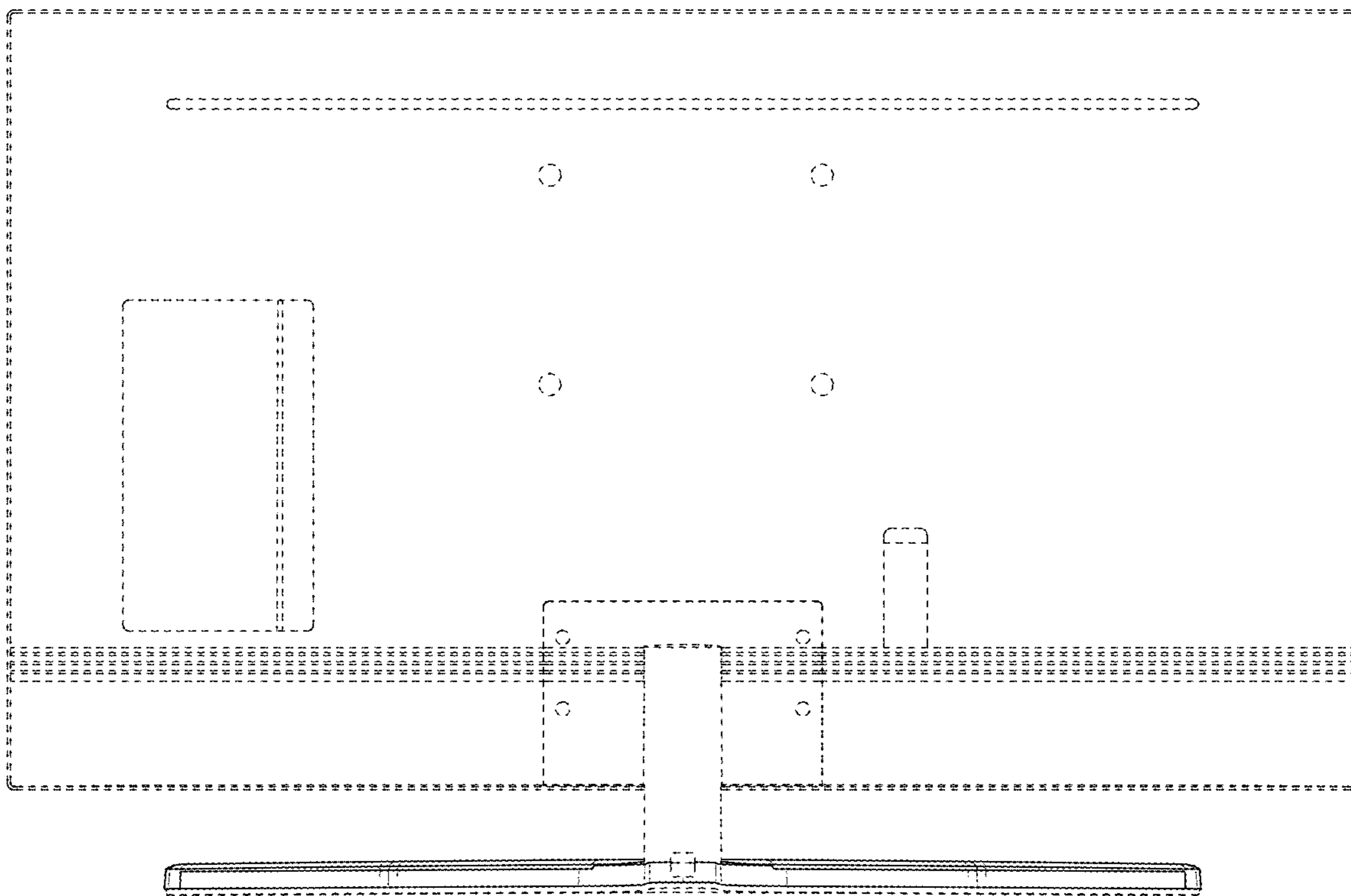


FIG. 4

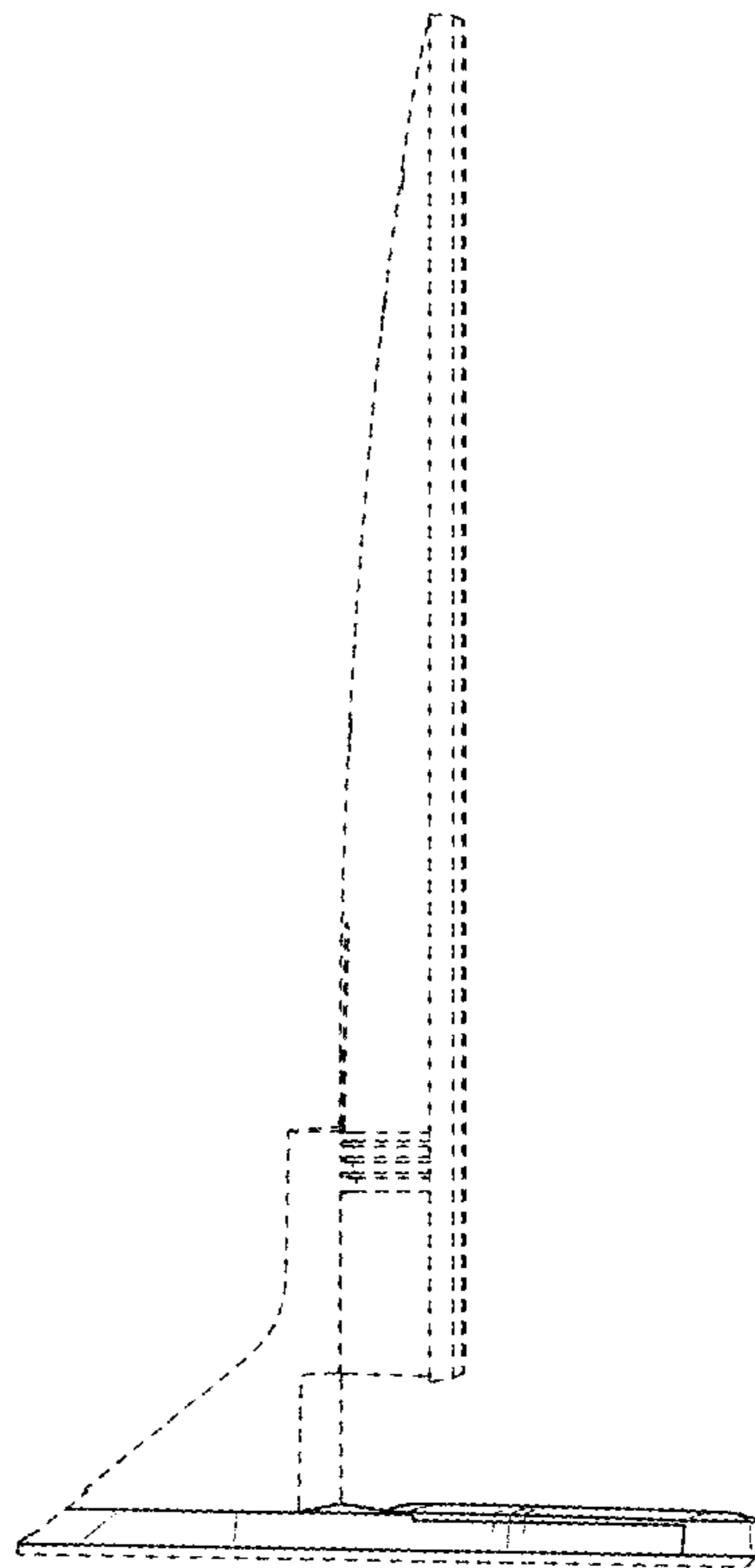


FIG. 5

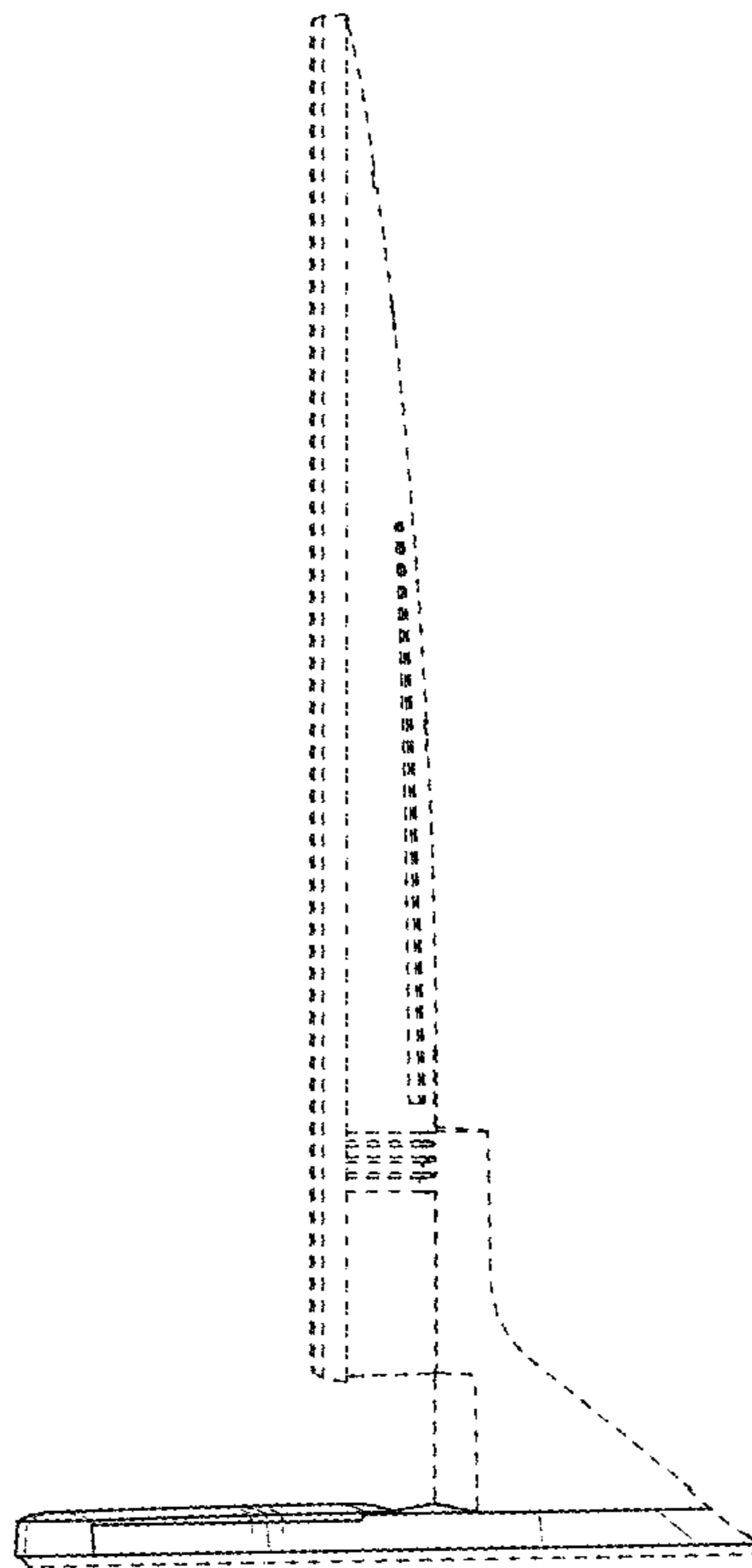


FIG. 6

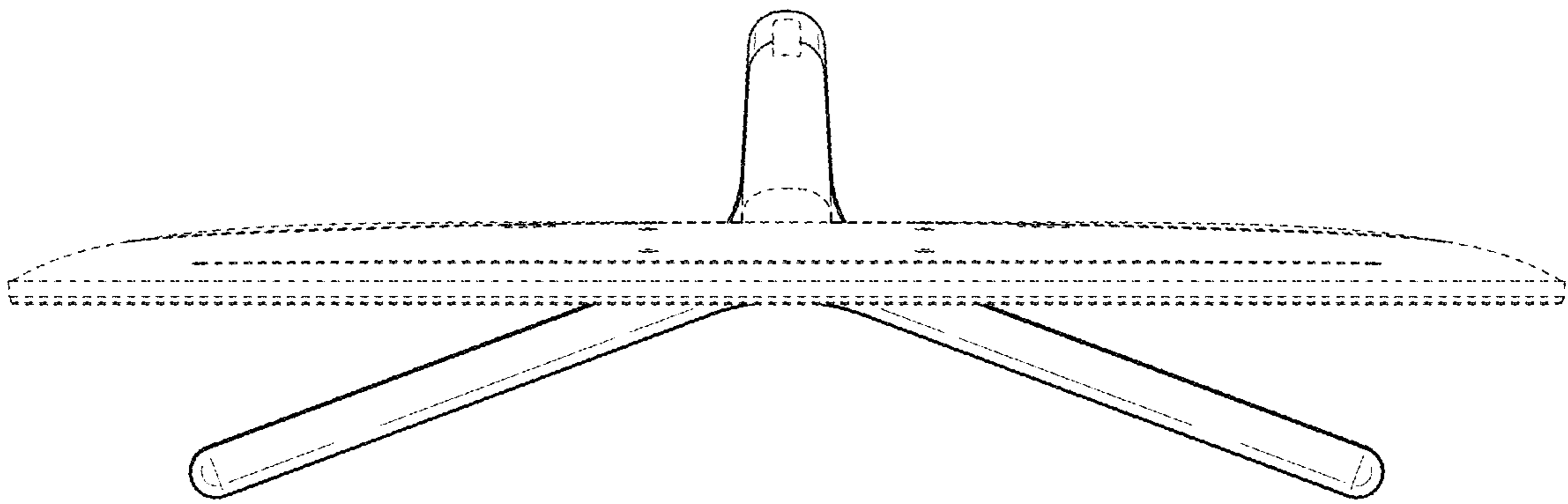




FIG. 7

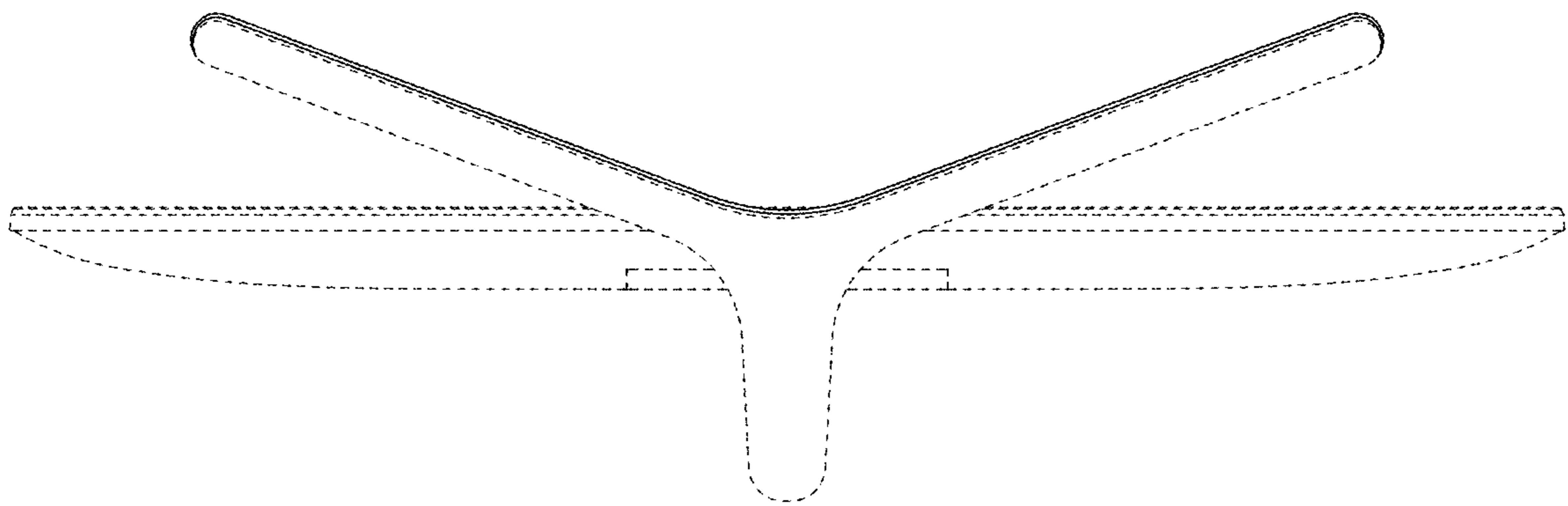


FIG. 8

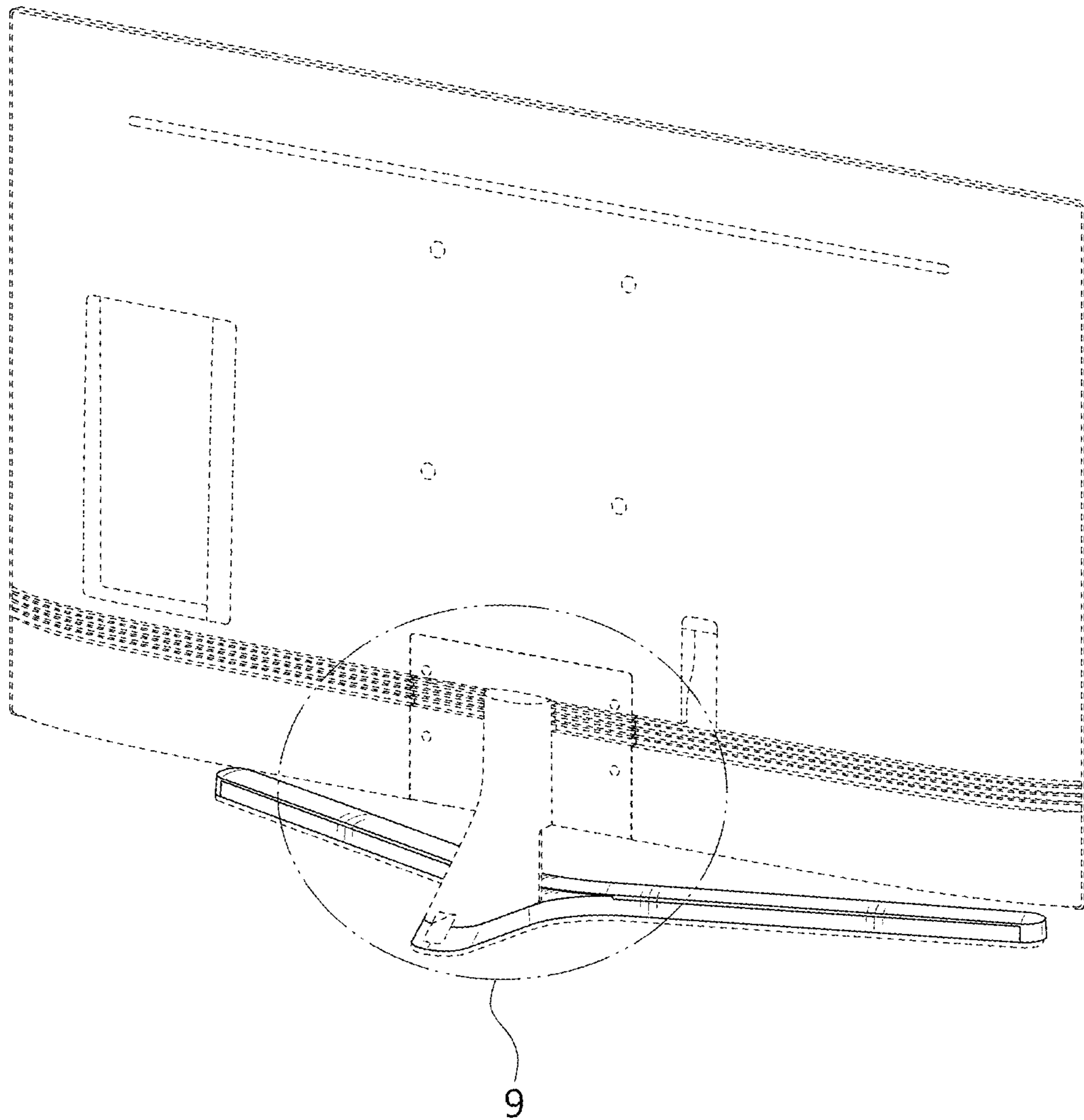


FIG. 9

