



US00D906299S

(12) **United States Design Patent**  
**Luo**

(10) **Patent No.:** **US D906,299 S**  
(45) **Date of Patent:** **\*\* Dec. 29, 2020**

(54) **WIRELESS EARPHONES WITH CHARGER**

FOREIGN PATENT DOCUMENTS

(71) Applicant: **HONG KONG GLEEMAN ENTERPRISES COMPANY LIMITED**, Hong Kong (CN)

CN 306011255 \* 8/2020  
CN 306052836 \* 9/2020

(Continued)

*Primary Examiner* — Paula Allen Greene

(72) Inventor: **Chuhao Luo**, Hong Kong (CN)

(57) **CLAIM**

(73) Assignee: **HONG KONG GLEEMAN ENTERPRISES COMPANY LIMITED**, Hong Kong (CN)

The ornamental design for wireless earphones with charger, as shown and described.

**DESCRIPTION**

(\*\*) Term: **15 Years**

FIG. 1 is a perspective view of a charger, of the wireless earphones with charger, shown separately for ease of illustration;

(21) Appl. No.: **29/734,729**

FIG. 2 is another perspective view thereof;

(22) Filed: **May 15, 2020**

FIG. 3 is a front elevational view thereof;

(51) **LOC (12) Cl.** ..... **14-01**

FIG. 4 is a rear elevational view thereof;

(52) **U.S. Cl.**

FIG. 5 is a left side elevational view thereof;

USPC ..... **D14/223**

FIG. 6 is a right side elevational view thereof;

(58) **Field of Classification Search**

FIG. 7 is a top plan view thereof;

USPC ..... D14/223, 205, 224; D13/108; D3/201, D3/295, 294; D9/424, 529, 420, 521, D9/734; D28/76, 66, 78, 83; 132/301, 132/295; 206/702; 220/4.22; D24/174; 128/866; 381/380, 381, 328, 323; 320/107, 110; 455/90.3, 575.1, 569.1, 455/573, 575.2

FIG. 8 is a bottom plan view thereof;

(Continued)

FIG. 9 is a perspective view of wireless earphones, of the wireless earphones and charger, shown separately for ease of illustration;

(56) **References Cited**

U.S. PATENT DOCUMENTS

2,509,462 A \* 5/1950 Vogel ..... E05F 1/1215  
220/830  
3,246,815 A \* 4/1966 Aronson ..... A61C 15/043  
225/44

FIG. 10 is another perspective view thereof;

FIG. 11 is a front elevational view thereof;

FIG. 12 is a rear elevational view thereof;

FIG. 13 is a left side elevational view thereof;

FIG. 14 is a right side elevational view thereof;

FIG. 15 is a top plan view thereof;

FIG. 16 is a bottom plan view thereof;

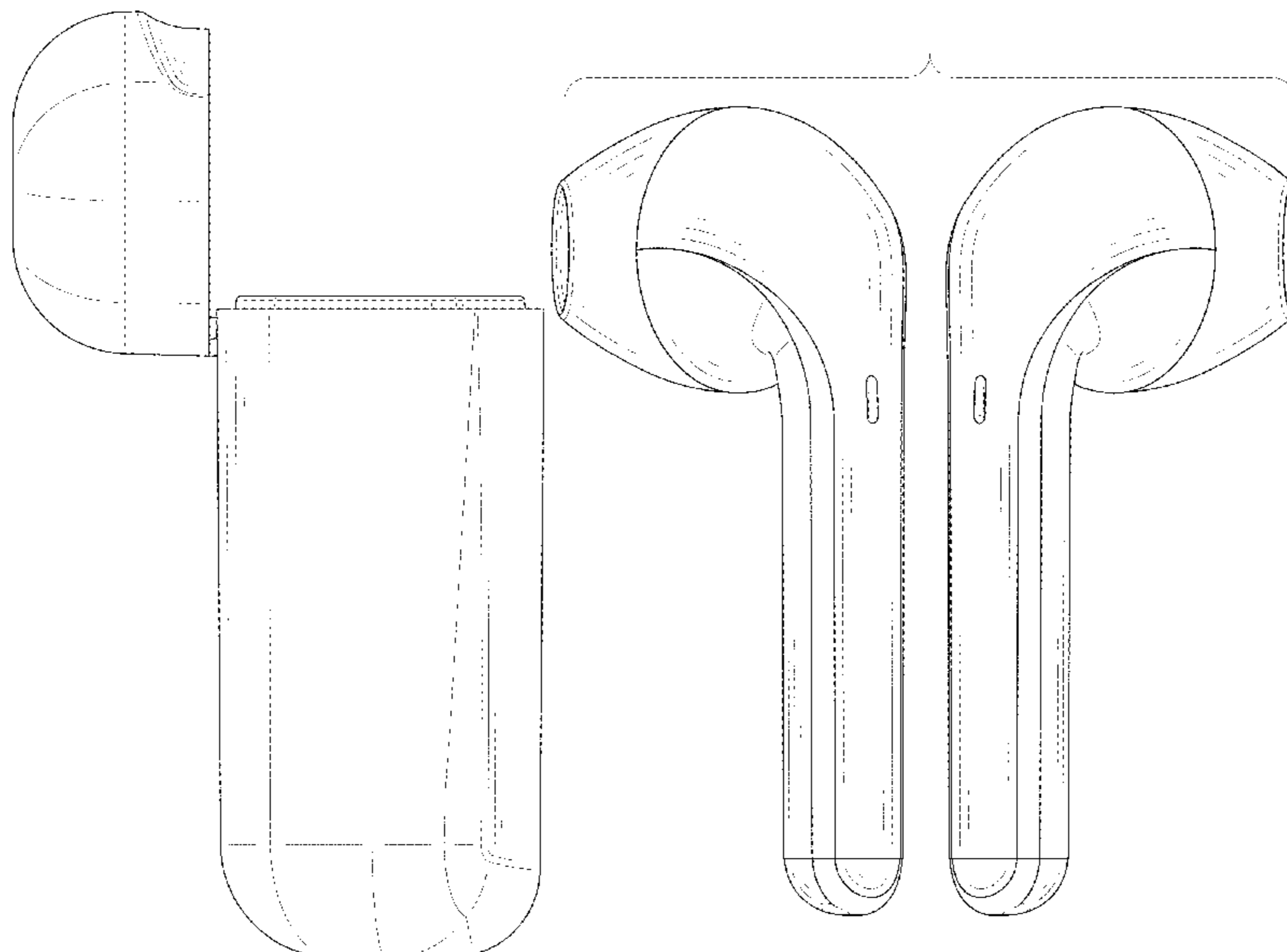
FIG. 17 is a perspective view of the wireless earphones with charger where the wireless earphones are received in the charger; and,

FIG. 18 is a perspective view of the wireless earphones with charger where the charger is in a closed position thereof.

The broken lines in the drawings depict portions of the wireless earphones with charger that form no part of the claimed design.

(Continued)

**1 Claim, 18 Drawing Sheets**



- (58) **Field of Classification Search**  
 CPC ..... H02J 7/00034; H04R 1/10; H04R 25/00;  
 H04R 25/02; H04R 1/1066; H04R  
 1/1016; B65D 5/00; B65D 43/02; B65D  
 25/10  
 See application file for complete search history.

(56) **References Cited**

U.S. PATENT DOCUMENTS

3,497,907 A \* 3/1970 Colina ..... F16C 11/04  
 16/257  
 4,150,779 A \* 4/1979 Hilbrands ..... A45C 11/24  
 220/829  
 4,471,881 A \* 9/1984 Foster ..... B65D 43/168  
 220/828  
 D395,600 S \* 6/1998 Borghorst ..... D9/432  
 D399,604 S \* 10/1998 Wolff ..... D28/66  
 6,131,760 A \* 10/2000 Huang ..... B65D 25/04  
 220/326  
 6,530,498 B1 \* 3/2003 Ovadia ..... A45C 13/007  
 16/286  
 6,837,372 B1 \* 1/2005 Aramaki ..... B65D 43/162  
 206/308.3  
 D518,477 S \* 4/2006 Chen ..... D14/205  
 D533,077 S \* 12/2006 Born ..... D9/724  
 D551,216 S \* 9/2007 Wei ..... D14/223  
 D569,720 S \* 5/2008 Lablaine ..... D9/420  
 D593,537 S \* 6/2009 Arimoto ..... D14/205  
 D641,738 S \* 7/2011 Perez ..... D14/223  
 D652,823 S \* 1/2012 Chen ..... H04R 1/1016  
 D14/223  
 D656,092 S \* 3/2012 Nomi ..... D13/107  
 D662,493 S \* 6/2012 Chen ..... D14/223  
 D671,531 S \* 11/2012 Kim ..... D14/223  
 D675,803 S \* 2/2013 Yang ..... D34/7  
 D681,015 S \* 4/2013 Akana ..... H04R 1/10  
 D14/223  
 D695,605 S \* 12/2013 Johnson ..... D9/423  
 D695,721 S \* 12/2013 Thompson ..... D14/223  
 D707,206 S \* 6/2014 Akana ..... H04R 1/10  
 D14/223  
 D711,857 S \* 8/2014 Burgett ..... D14/223  
 D718,284 S \* 11/2014 Shibusawa ..... D14/223  
 D732,007 S \* 6/2015 Oksman ..... D14/223  
 D732,008 S \* 6/2015 Akana ..... H04R 1/10  
 D14/223  
 D738,864 S \* 9/2015 Lee ..... D14/223  
 D741,287 S \* 10/2015 Harata ..... D14/205  
 D770,412 S \* 11/2016 Son ..... D14/205  
 D789,785 S \* 6/2017 Fujiwara ..... D9/424  
 D790,335 S \* 6/2017 Honings ..... D9/424  
 D801,304 S \* 10/2017 Kiafoulis ..... D14/214  
 D804,806 S \* 12/2017 Stueckemann ..... D3/203.2  
 D806,388 S \* 1/2018 Akana ..... D3/294

D818,268 S \* 5/2018 Akana ..... D3/294  
 D820,809 S \* 6/2018 Akana ..... D14/205  
 D830,336 S \* 10/2018 Cai ..... D14/205  
 D830,345 S \* 10/2018 Cai ..... D14/223  
 D832,824 S \* 11/2018 Kim ..... D14/223  
 D838,480 S \* 1/2019 Son ..... D3/294  
 D841,581 S \* 2/2019 Bonahoom ..... D13/108  
 D843,937 S \* 3/2019 Xiao ..... D13/108  
 D846,264 S \* 4/2019 Wu ..... D3/201  
 D847,125 S \* 4/2019 Akana ..... D14/223  
 D847,794 S \* 5/2019 Guo ..... D14/223  
 D849,401 S \* 5/2019 Akana ..... D3/274  
 D853,116 S \* 7/2019 Bergman ..... D3/294  
 D853,357 S \* 7/2019 Li ..... D14/217  
 D853,995 S \* 7/2019 Cai ..... D14/223  
 D864,169 S \* 10/2019 Min ..... D14/223  
 D868,453 S \* 12/2019 Lee ..... D3/201  
 D869,445 S \* 12/2019 Hu ..... D14/223  
 D870,451 S \* 12/2019 Birger ..... D3/201  
 D877,722 S \* 3/2020 Yang ..... D14/223  
 D878,045 S \* 3/2020 Akana ..... D3/274  
 D878,337 S \* 3/2020 Yang ..... D14/223  
 D881,572 S \* 4/2020 Wang ..... D3/294  
 D882,553 S \* 4/2020 Wu ..... D14/223  
 D884,682 S \* 5/2020 Du ..... D14/223  
 D885,373 S \* 5/2020 Lundback ..... D14/223  
 D886,453 S \* 6/2020 Wright ..... D3/294  
 D886,455 S \* 6/2020 Williamson ..... D3/294  
 D888,408 S \* 6/2020 Lee ..... D3/201  
 D889,436 S \* 7/2020 Zhang ..... D14/223  
 D889,437 S \* 7/2020 Ando ..... D14/223  
 D890,725 S \* 7/2020 Liu  
 D892,498 S \* 8/2020 Wright ..... D3/294  
 D893,184 S \* 8/2020 Liu ..... D3/294  
 D893,462 S \* 8/2020 Liu ..... D14/223  
 D895,582 S \* 9/2020 Wu ..... D14/223  
 D896,207 S \* 9/2020 He ..... D14/223  
 D896,788 S \* 9/2020 Akana ..... D14/223  
 D897,997 S \* 10/2020 Zhang ..... D14/223  
 D898,664 S \* 10/2020 Bhutani ..... D13/108  
 D901,457 S \* 11/2020 Zhang ..... D14/223  
 2008/0090622 A1 \* 4/2008 Kim ..... H04M 1/05  
 455/573  
 2012/0237074 A1 \* 9/2012 Aase ..... H04R 1/1075  
 381/380  
 2016/0360350 A1 \* 12/2016 Watson ..... H04L 67/16  
 2020/0068285 A1 \* 2/2020 Dang ..... H04R 1/028

FOREIGN PATENT DOCUMENTS

CN 306098205 \* 10/2020  
 CN 306100757 \* 10/2020  
 CN 306128833 \* 10/2020  
 CN 306140862 \* 10/2020  
 EM 008236798-0001 \* 11/2020

\* cited by examiner

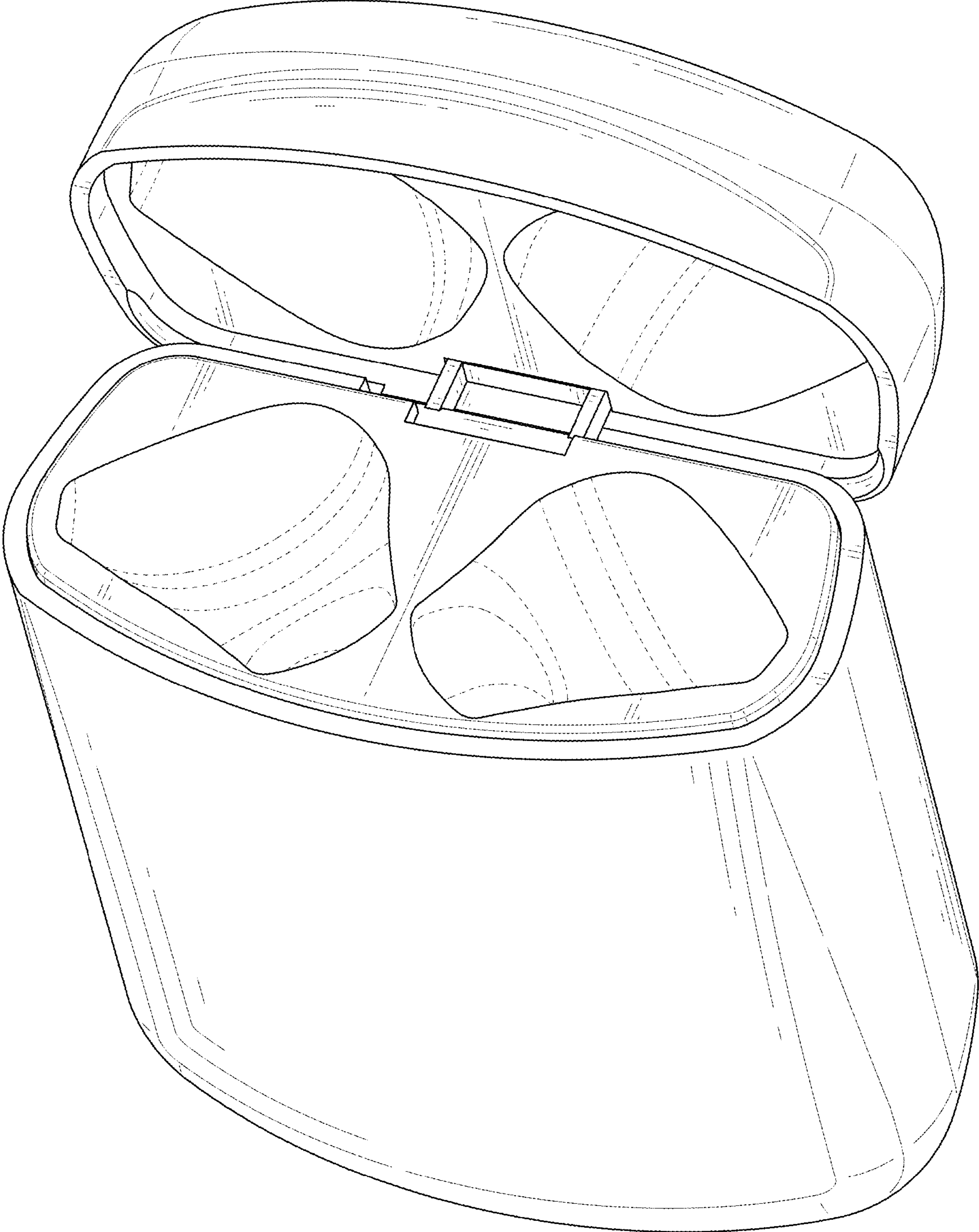


FIG. 1

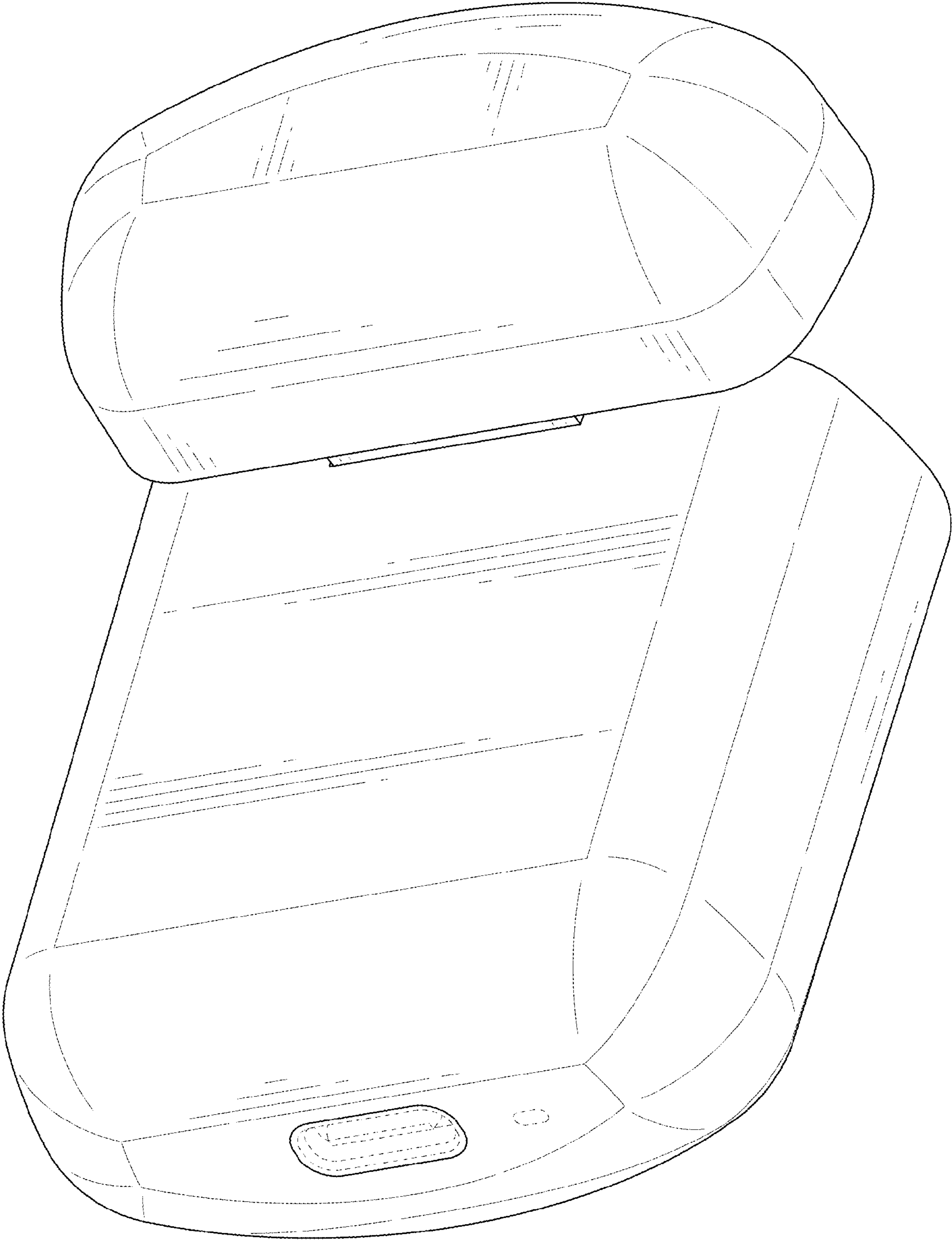


FIG. 2

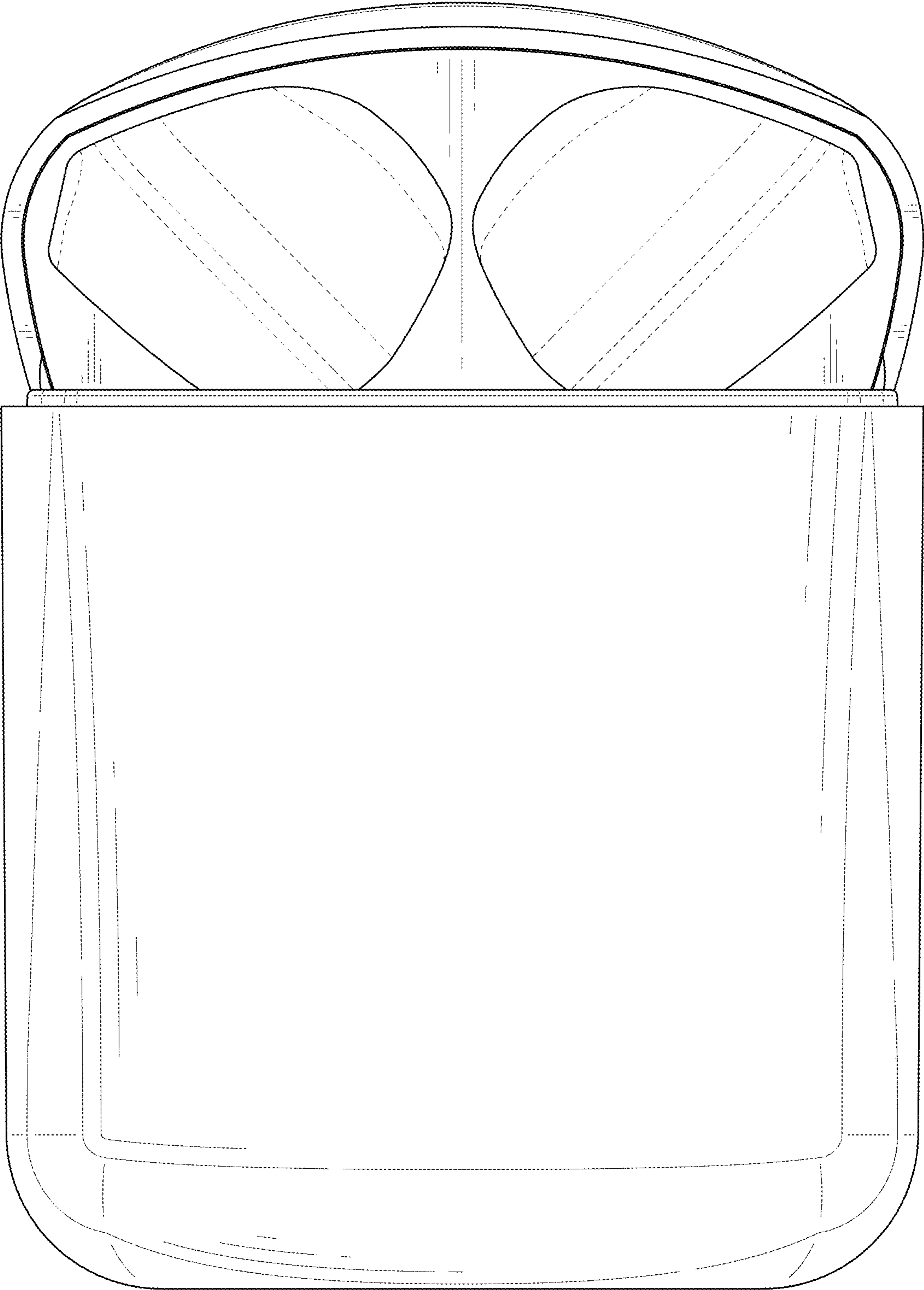


FIG. 3

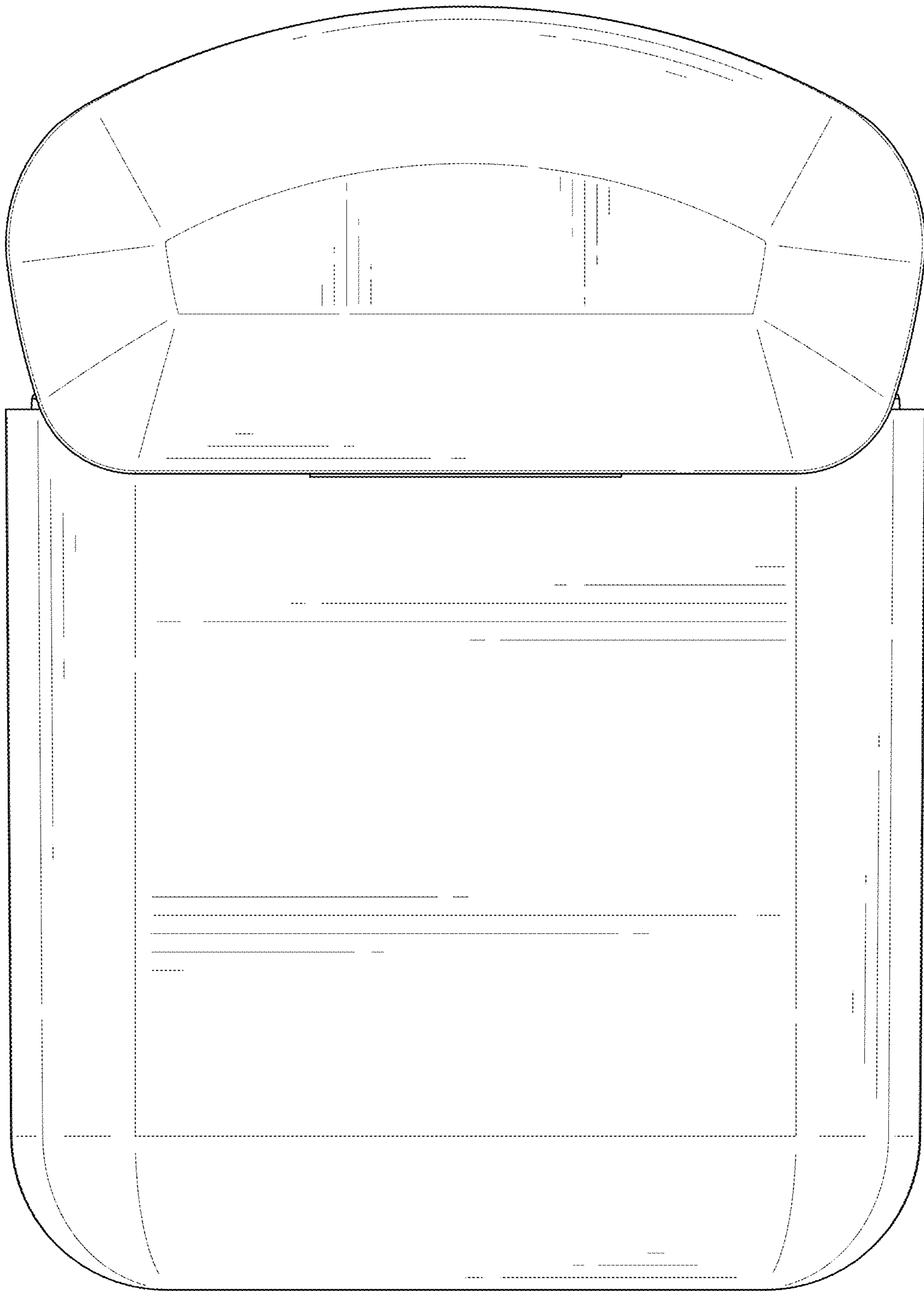


FIG. 4

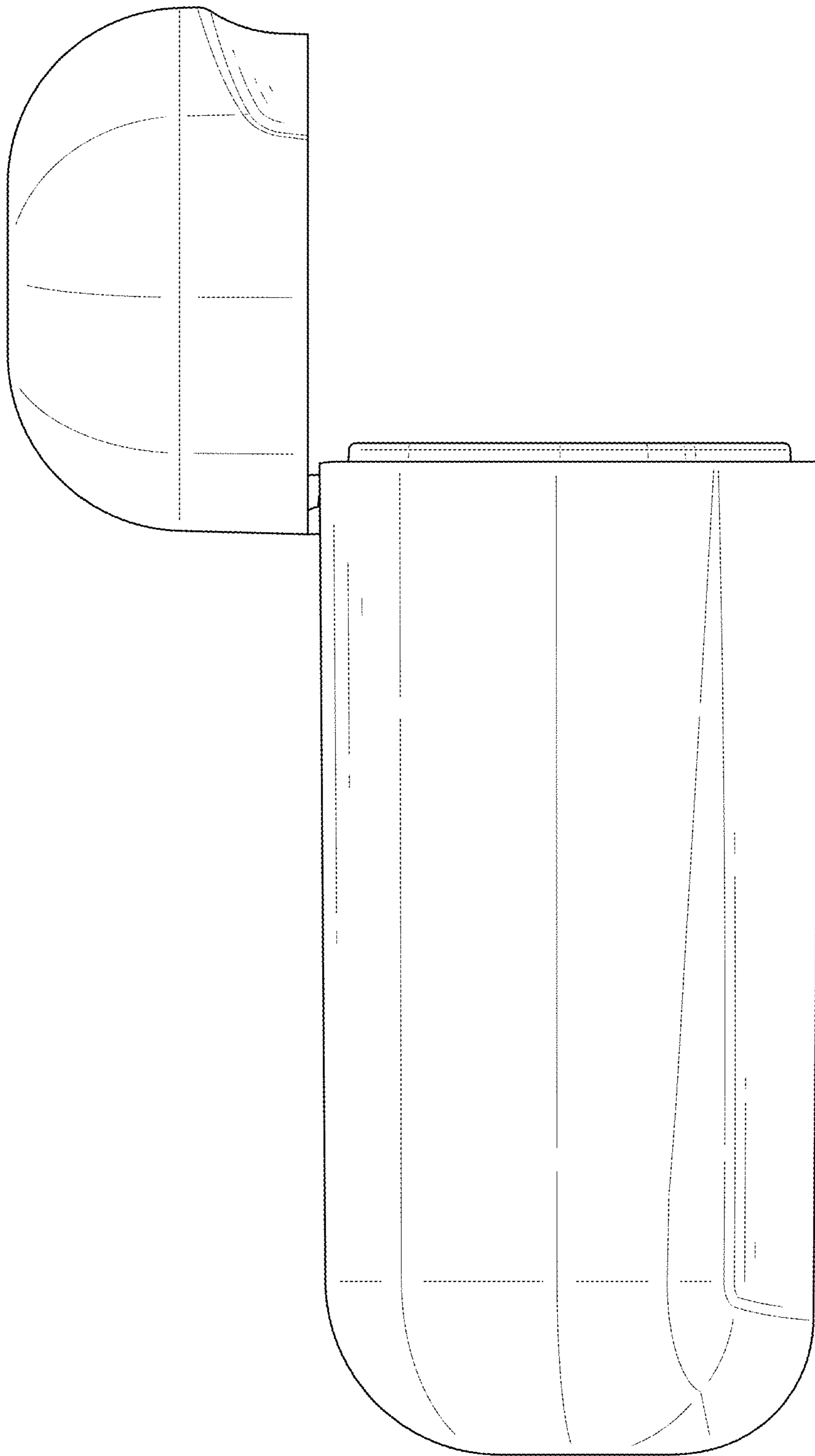


FIG. 5

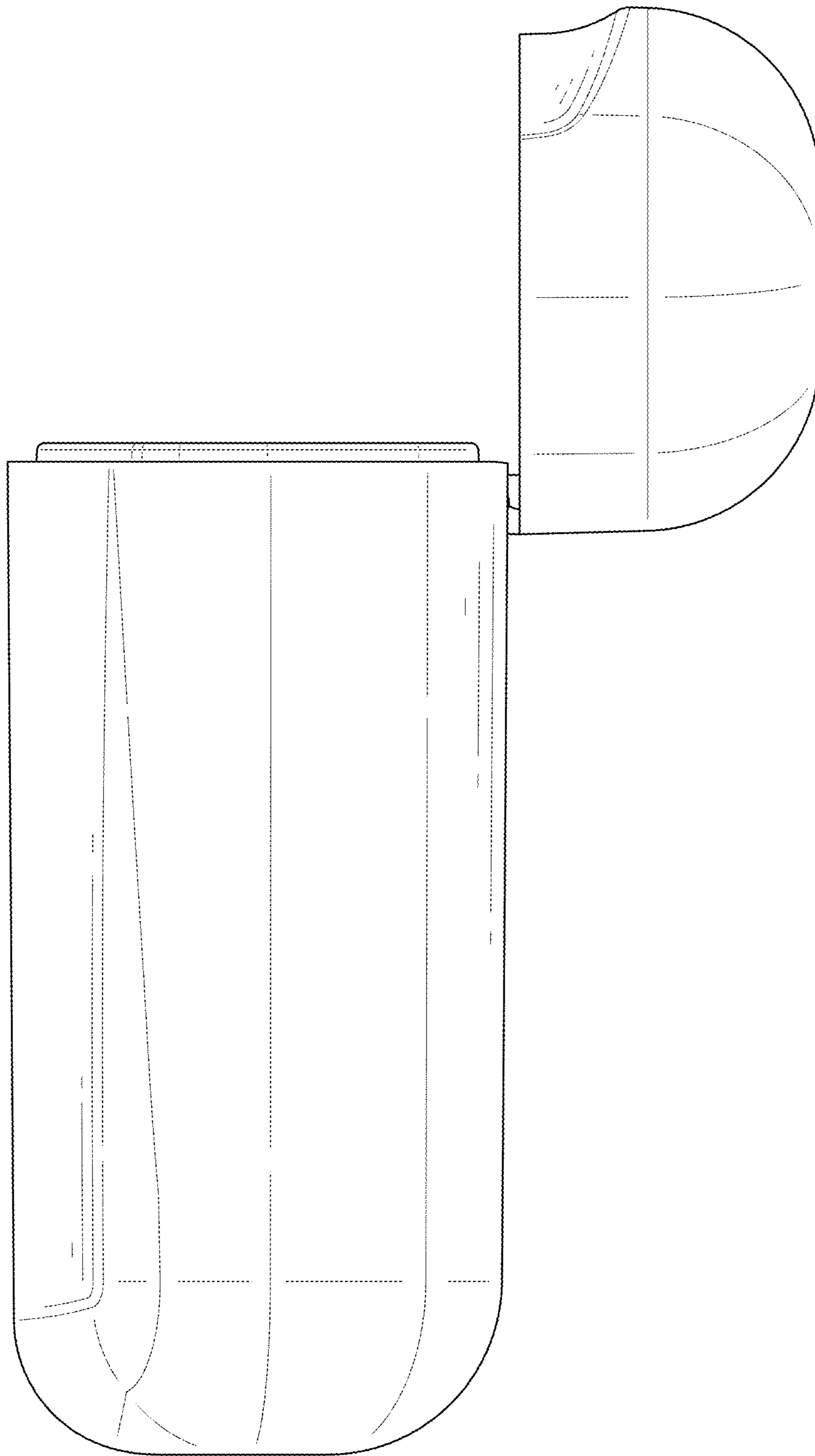


FIG. 6



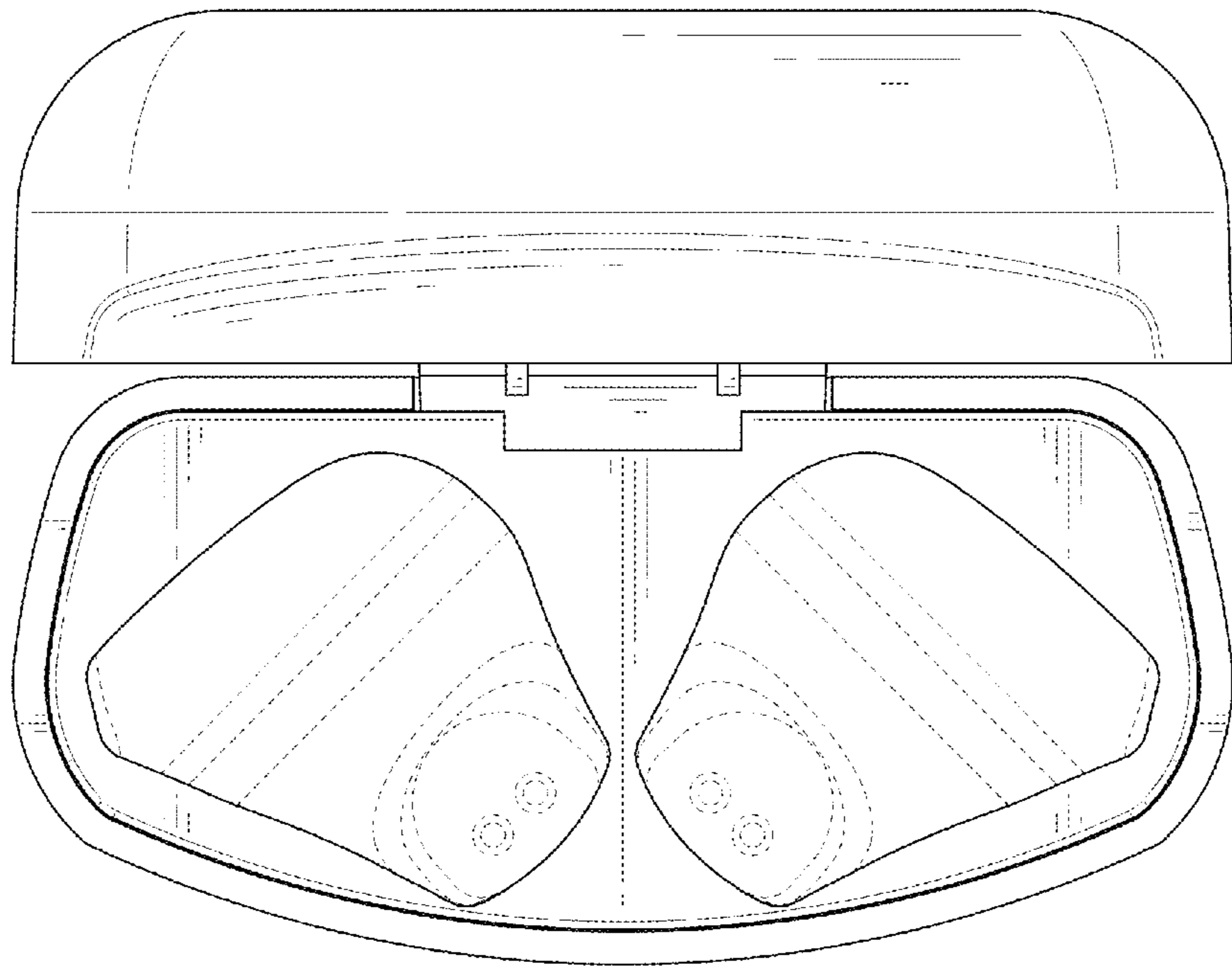


FIG. 7

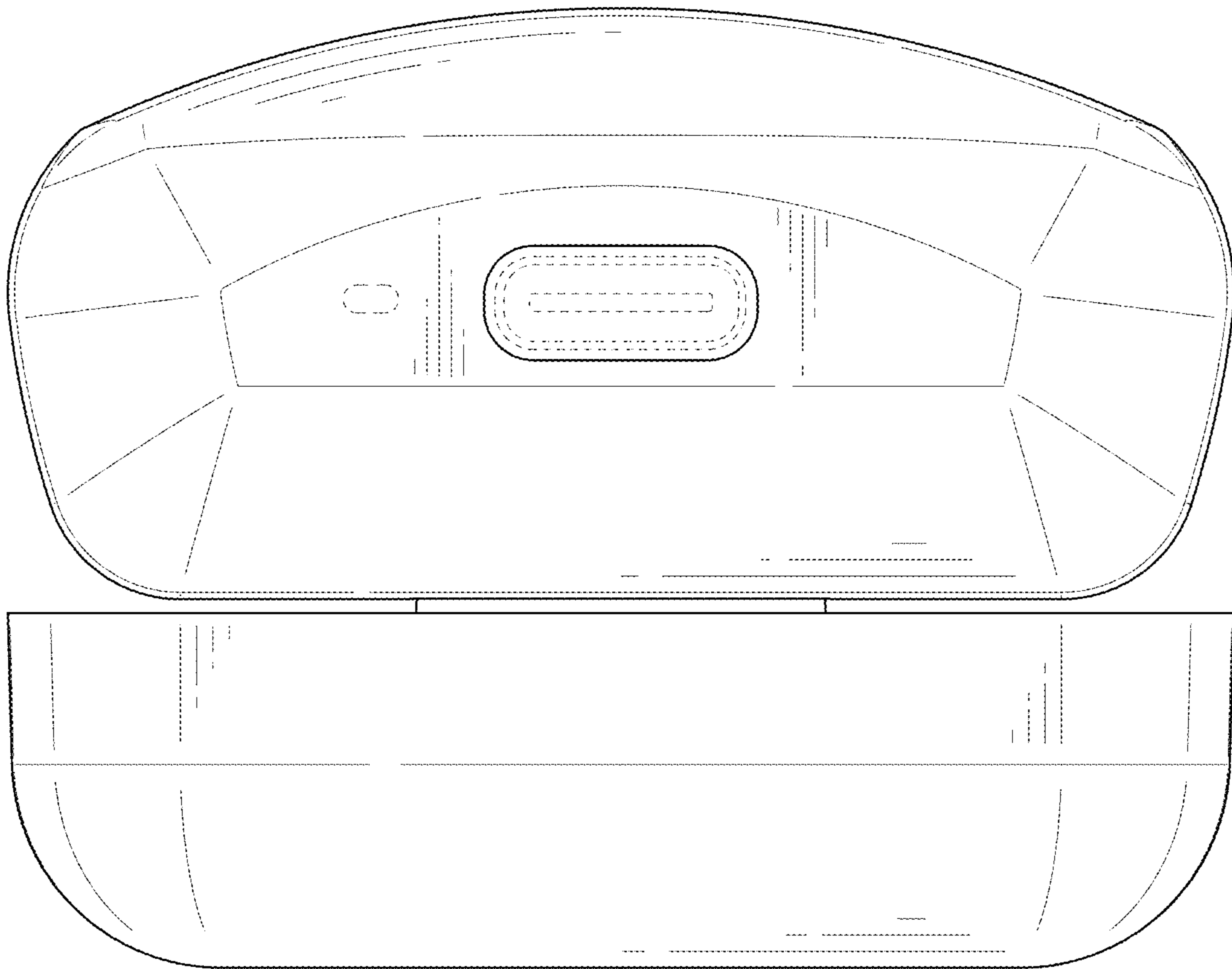


FIG. 8

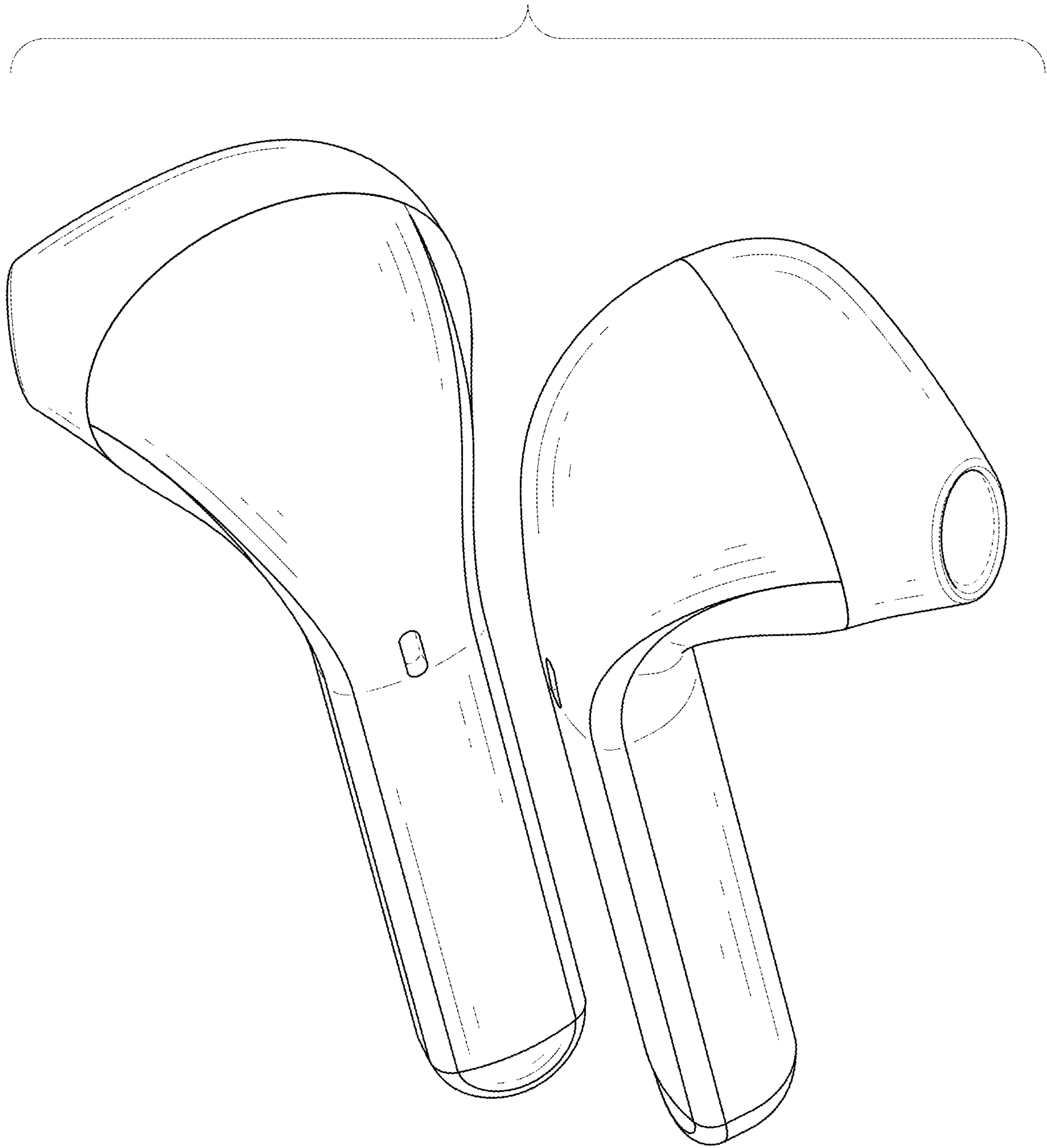


FIG. 9

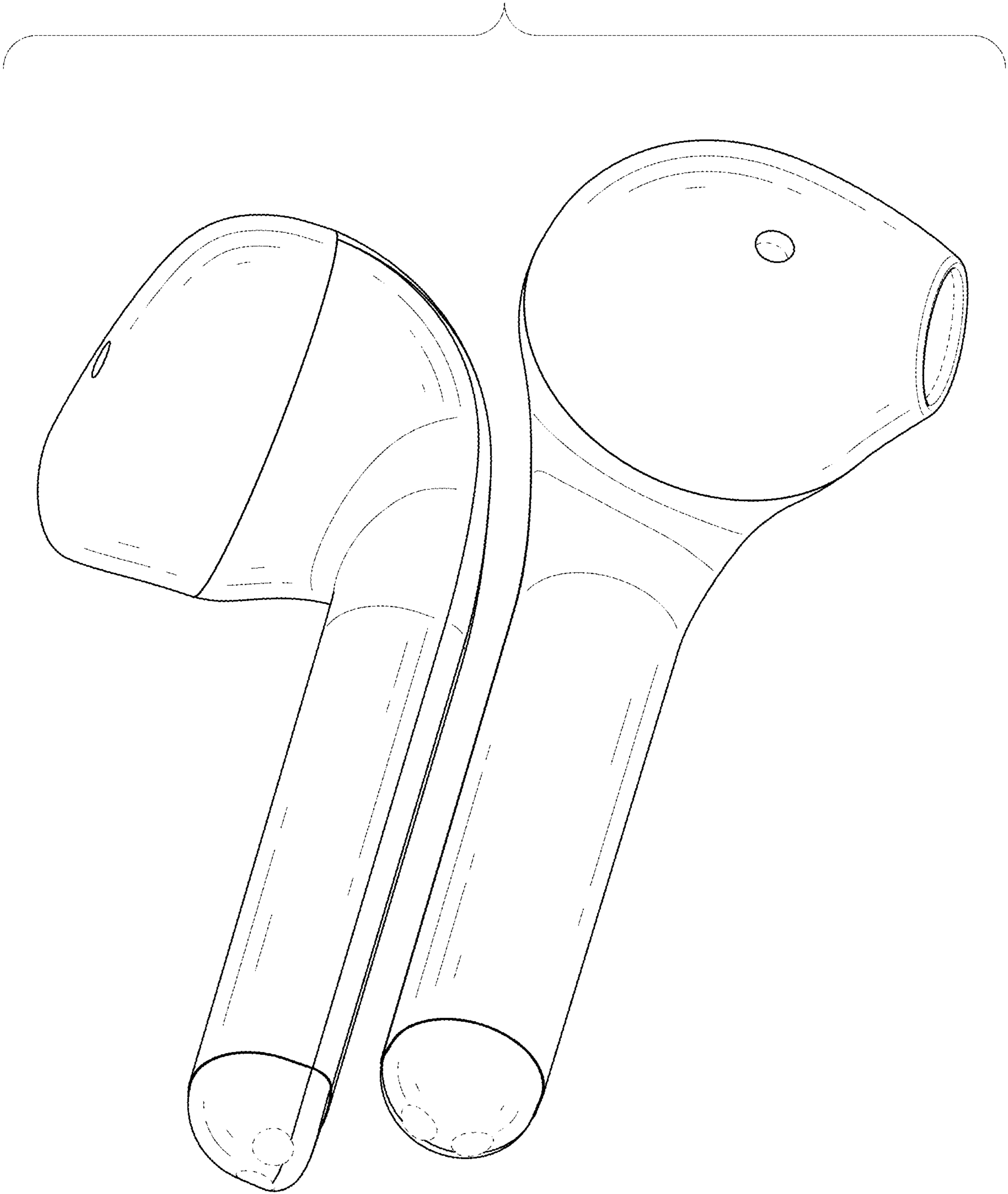


FIG. 10

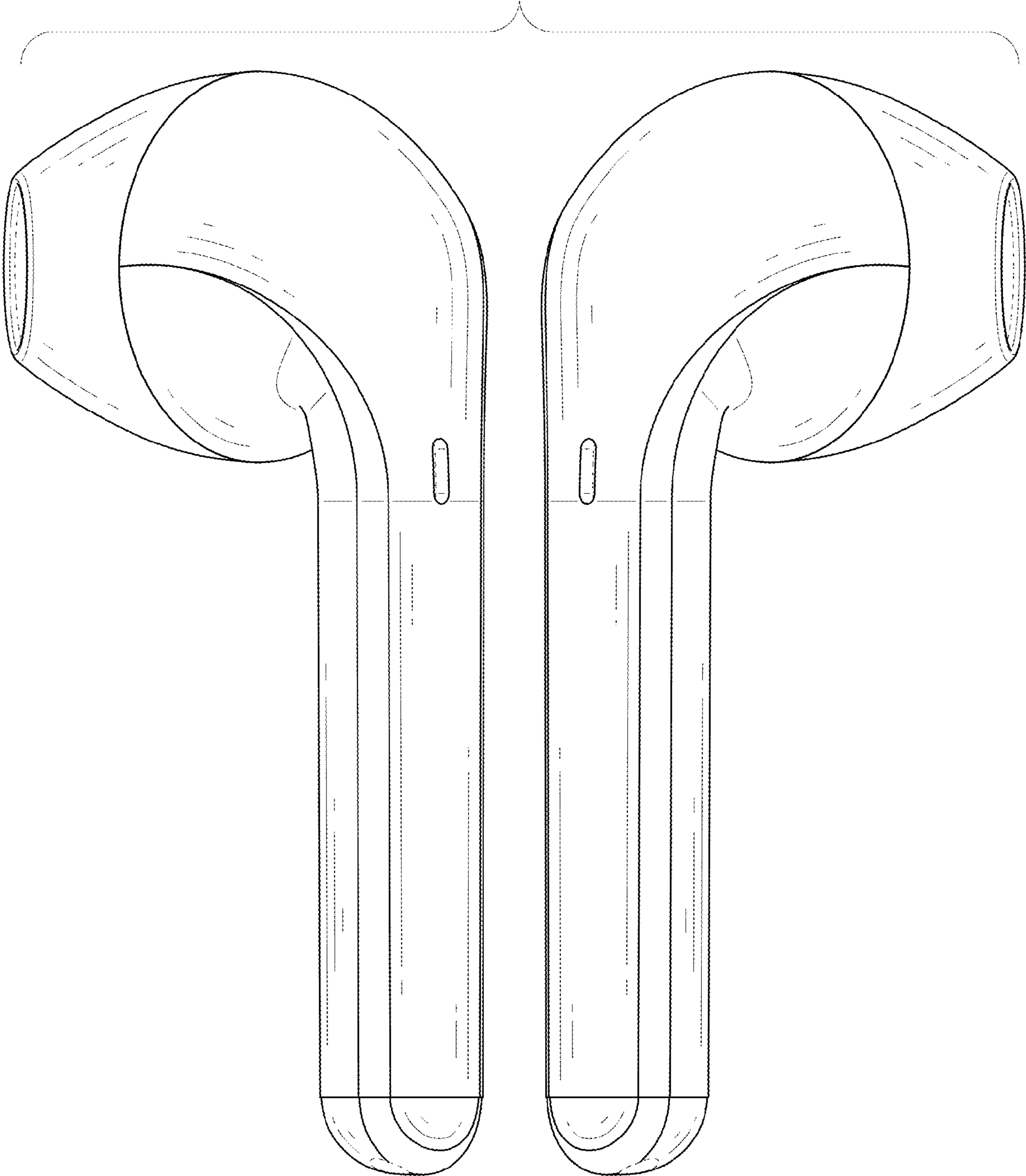


FIG. 11

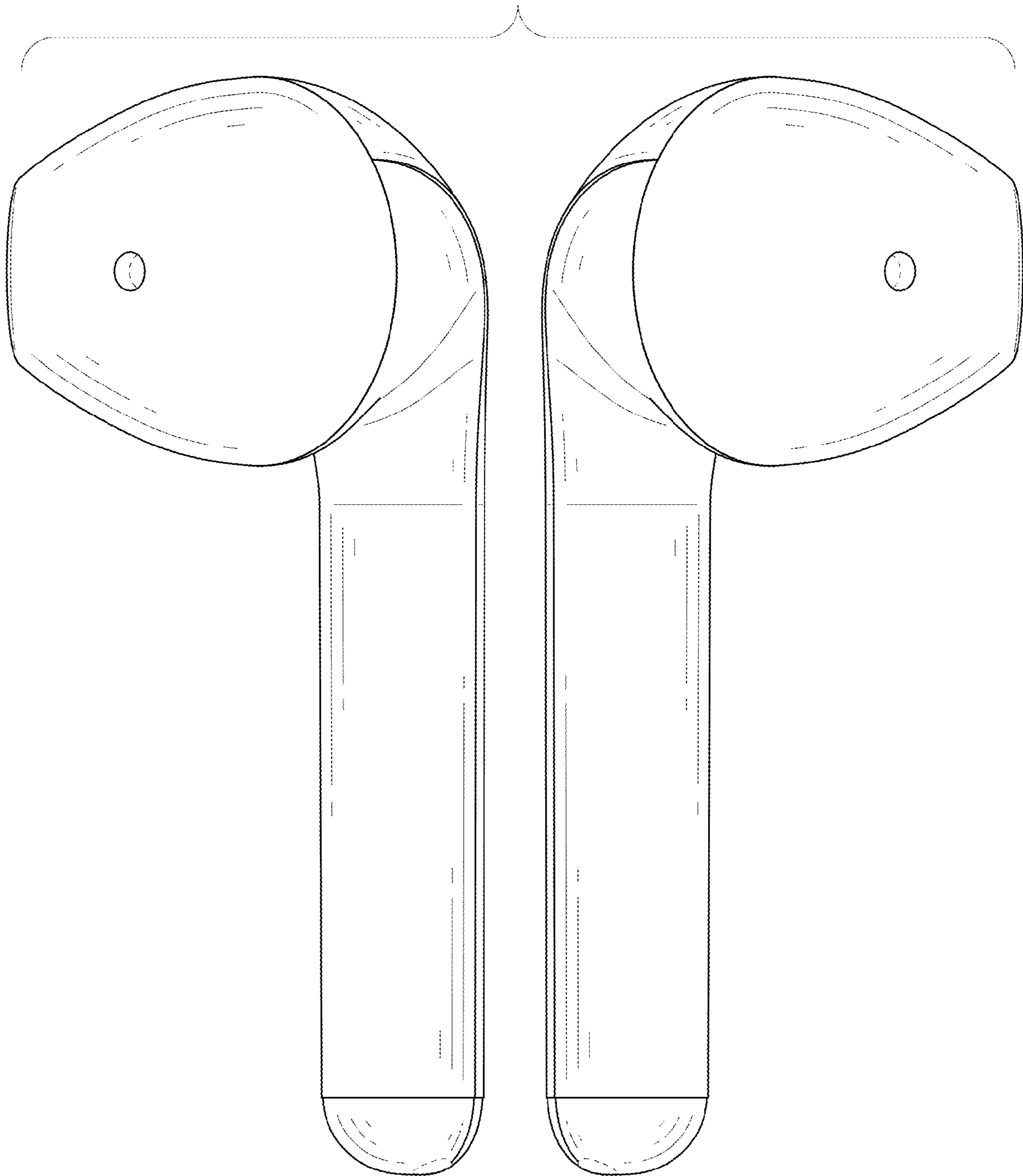


FIG. 12

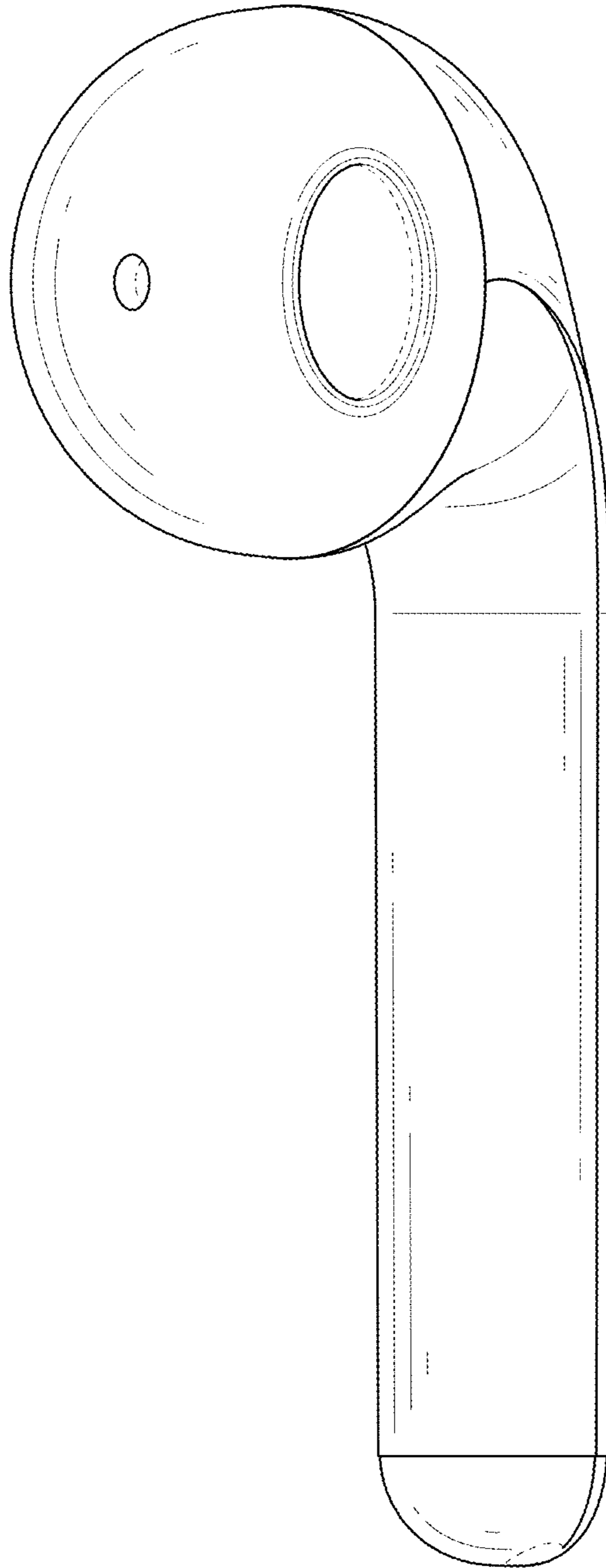


FIG. 13

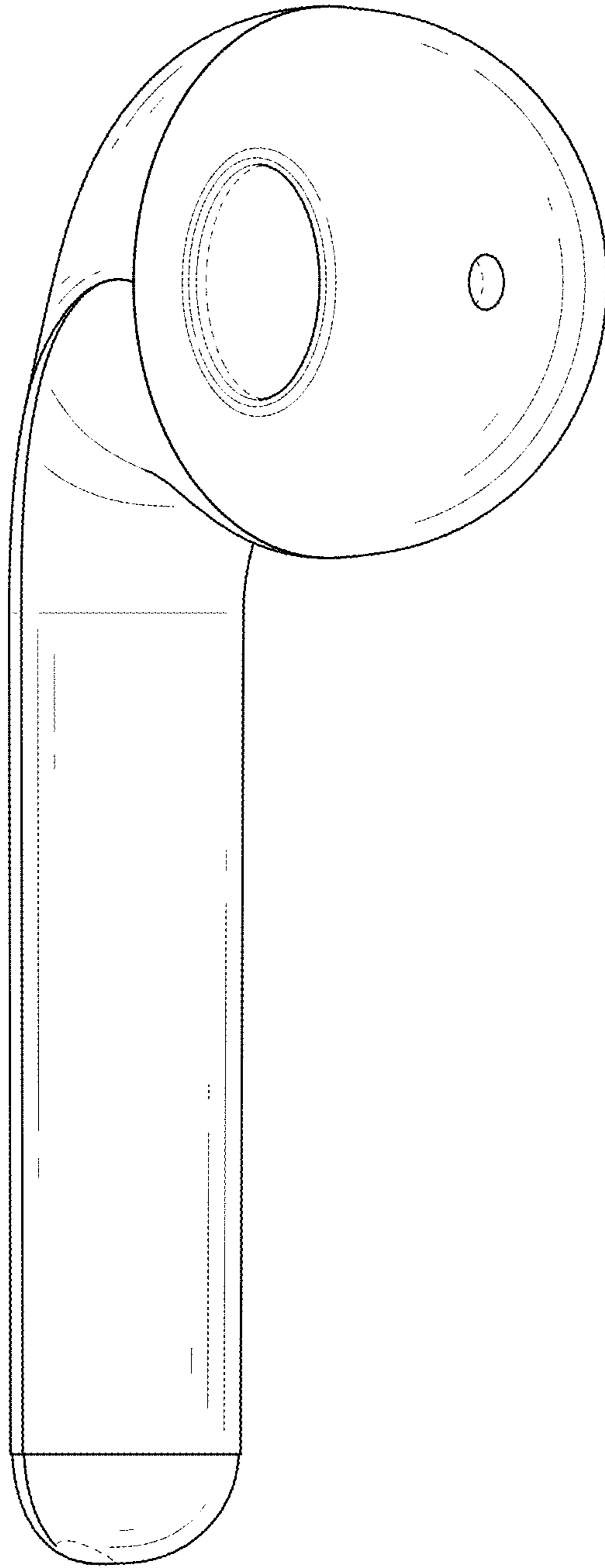


FIG. 14



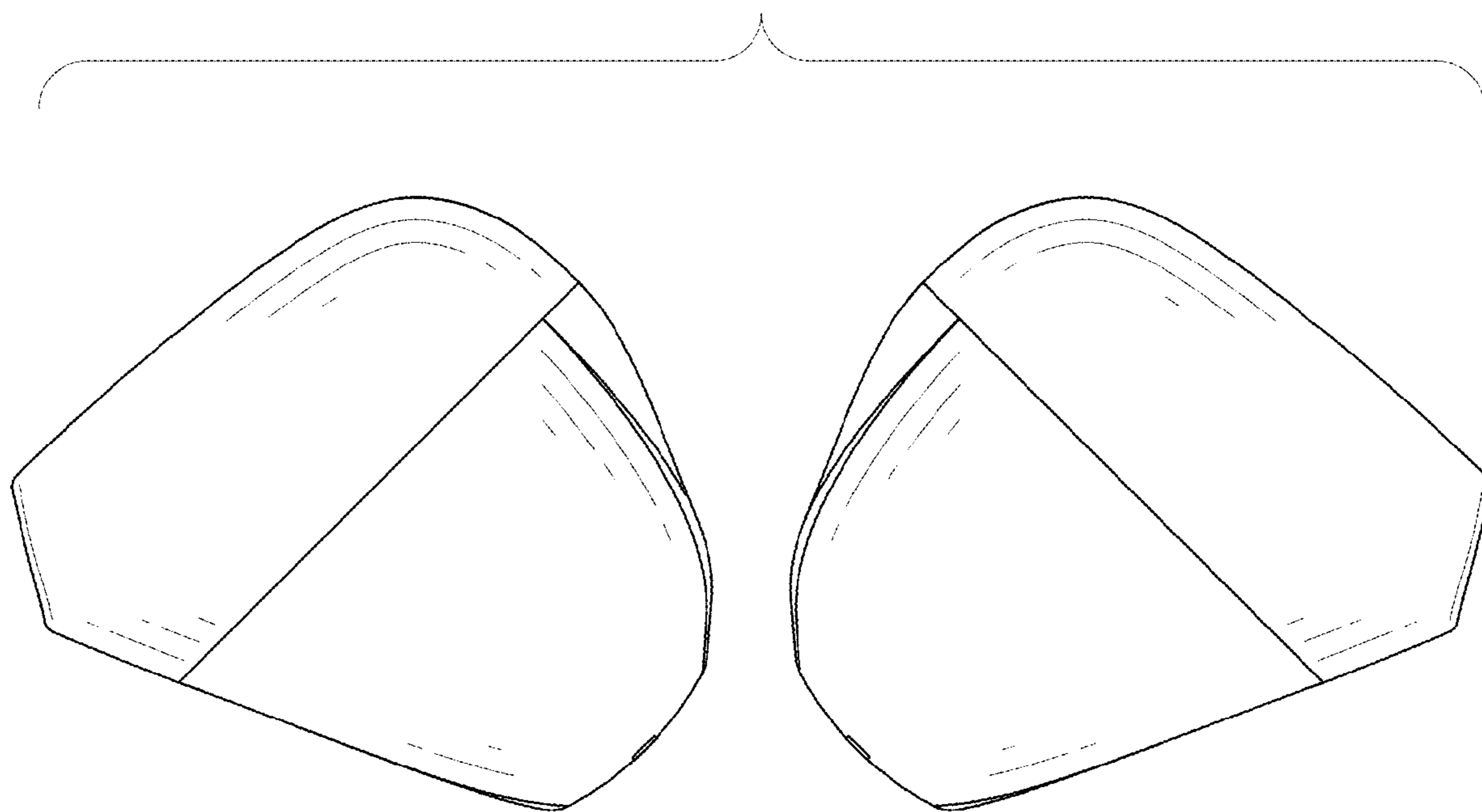


FIG. 15

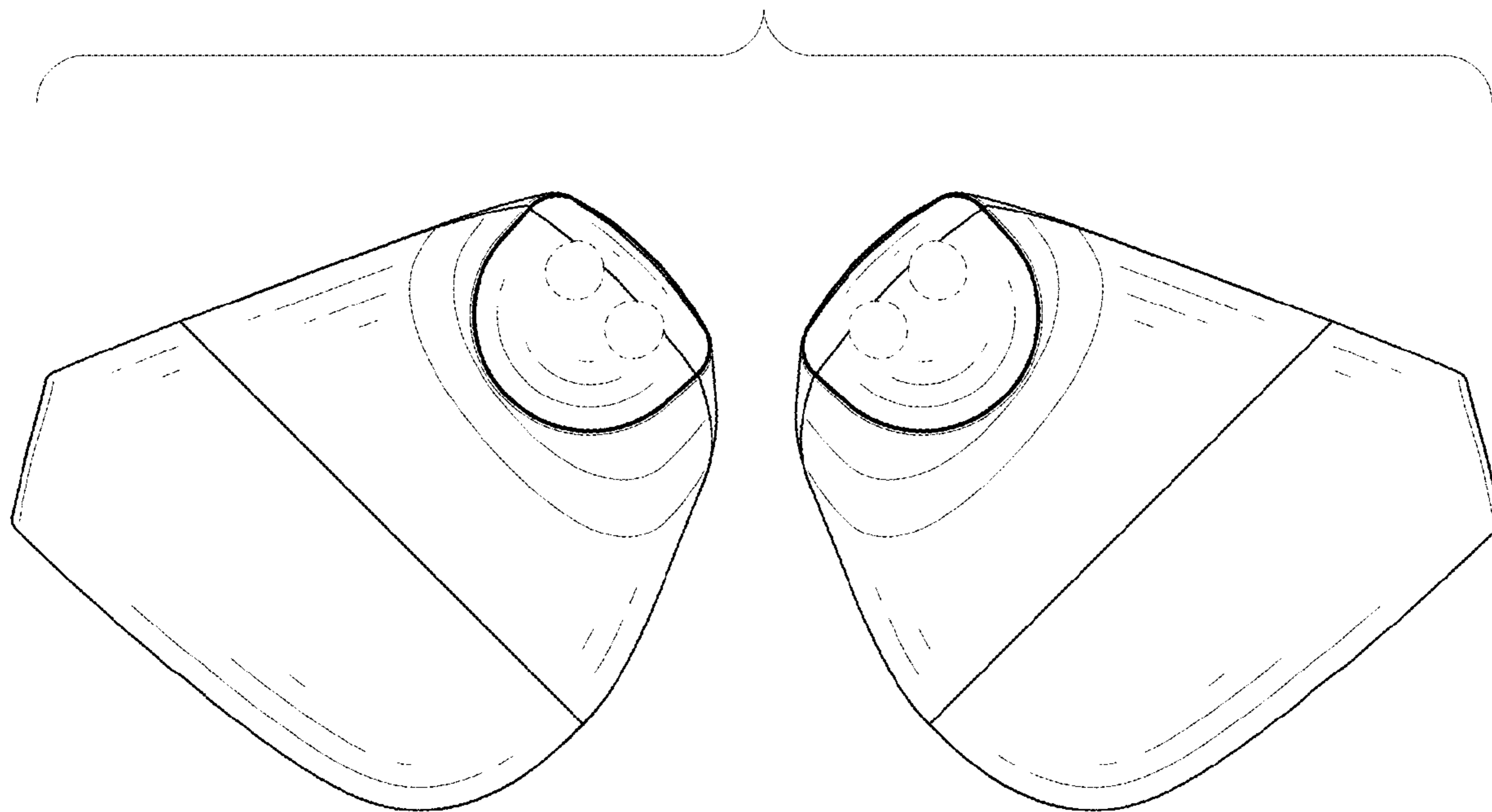


FIG. 16

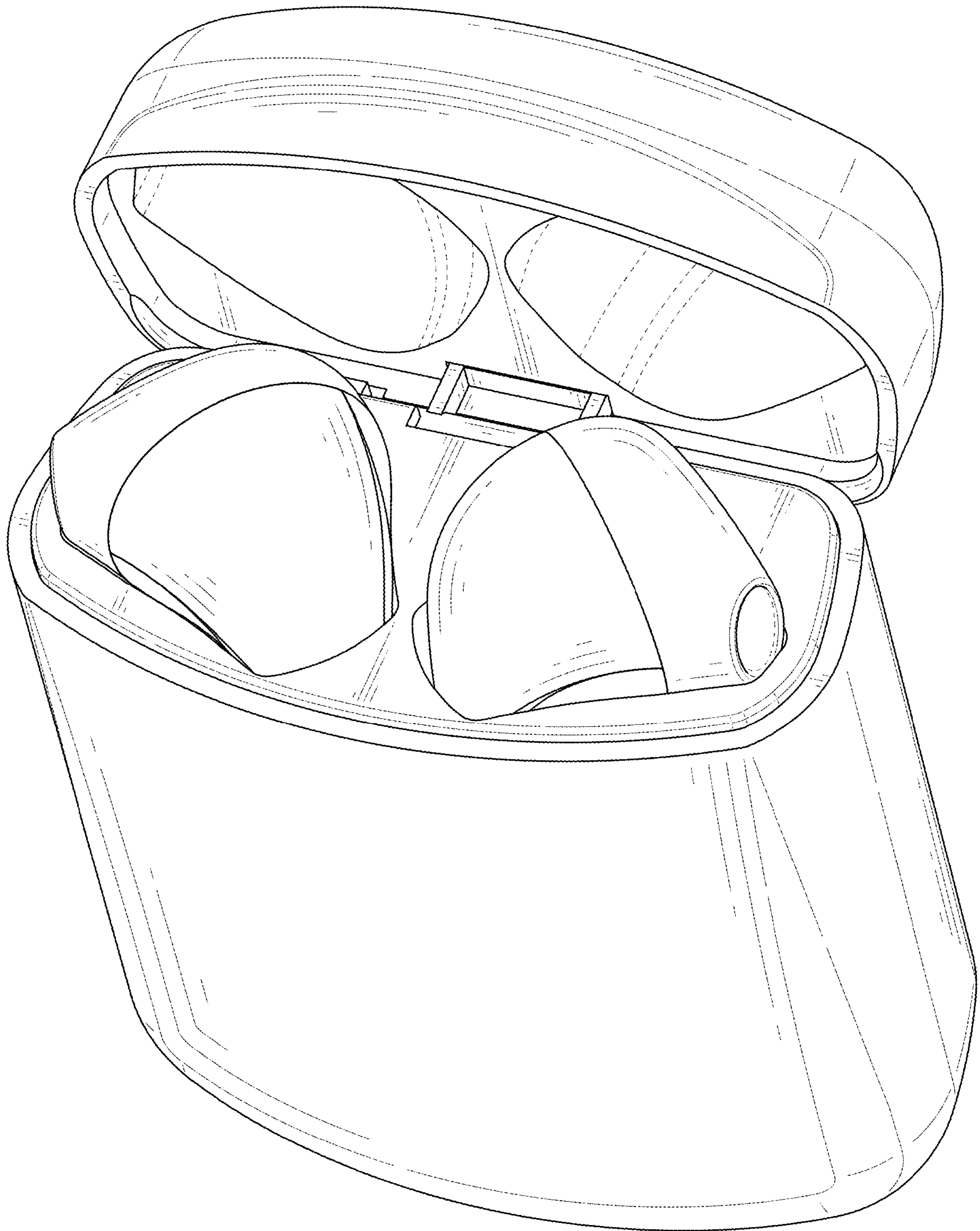


FIG. 17

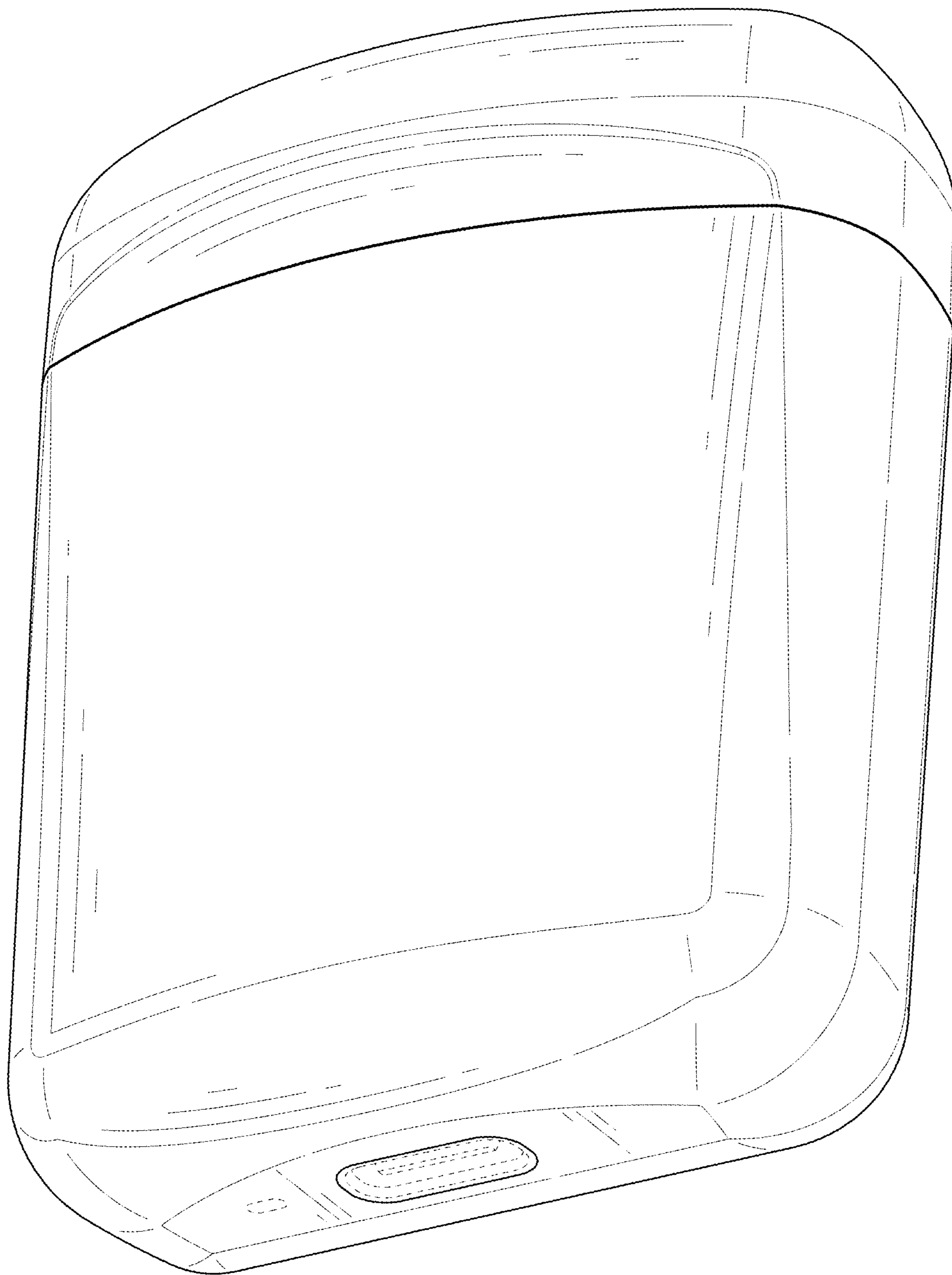


FIG. 18