



US00D906295S

(12) **United States Design Patent**
Zheng

(10) **Patent No.:** **US D906,295 S**

(45) **Date of Patent:** **** Dec. 29, 2020**

(54) **EARPHONE**

(71) Applicant: **Tong Zheng**, Shenzhen (CN)

(72) Inventor: **Tong Zheng**, Shenzhen (CN)

(**) Term: **15 Years**

(21) Appl. No.: **29/700,507**

(22) Filed: **Aug. 2, 2019**

(30) **Foreign Application Priority Data**

Apr. 2, 2019 (CN) 2019 3 0145456

(51) **LOC (12) Cl.** **14-01**

(52) **U.S. Cl.**
USPC **D14/223**

(58) **Field of Classification Search**
USPC D14/223, 205, 206; D24/174; 128/864,
128/865, 866; 181/129, 130, 135;
379/430, 431; 381/380, 381, 322-324,
381/330; 455/90.3, 575, 1, 569.1
CPC H04R 1/10; H04R 25/00; H04R 1/1016;
H04R 1/1066; H04R 5/033; H04R
5/0335; H04R 1/1091; H04R 1/1058;
H04R 1/105; H04R 1/1083
See application file for complete search history.

(56) **References Cited**

U.S. PATENT DOCUMENTS

D817,309 S * 5/2018 Czaniecki D14/223
D845,932 S * 4/2019 Lu D14/223
D863,263 S * 10/2019 Yu D14/223
D872,063 S * 1/2020 Arimoto D14/223
10,582,328 B2 * 3/2020 Milevski G11B 20/10527

D880,457 S * 4/2020 Zhu D14/223
D884,681 S * 5/2020 Zhang D14/223
D889,441 S * 7/2020 Lin D14/223
D892,086 S * 8/2020 Bonahoom D14/223
D895,580 S * 9/2020 Yu D14/223
D896,205 S * 9/2020 Zhang D14/223
2014/0064548 A1 * 3/2014 Chu H04R 1/1091
381/380
2017/0026738 A1 * 1/2017 Tang H04R 1/1091

* cited by examiner

Primary Examiner — Katie Jane Stofko

(74) *Attorney, Agent, or Firm* — Dinsmore & Shohl LLP

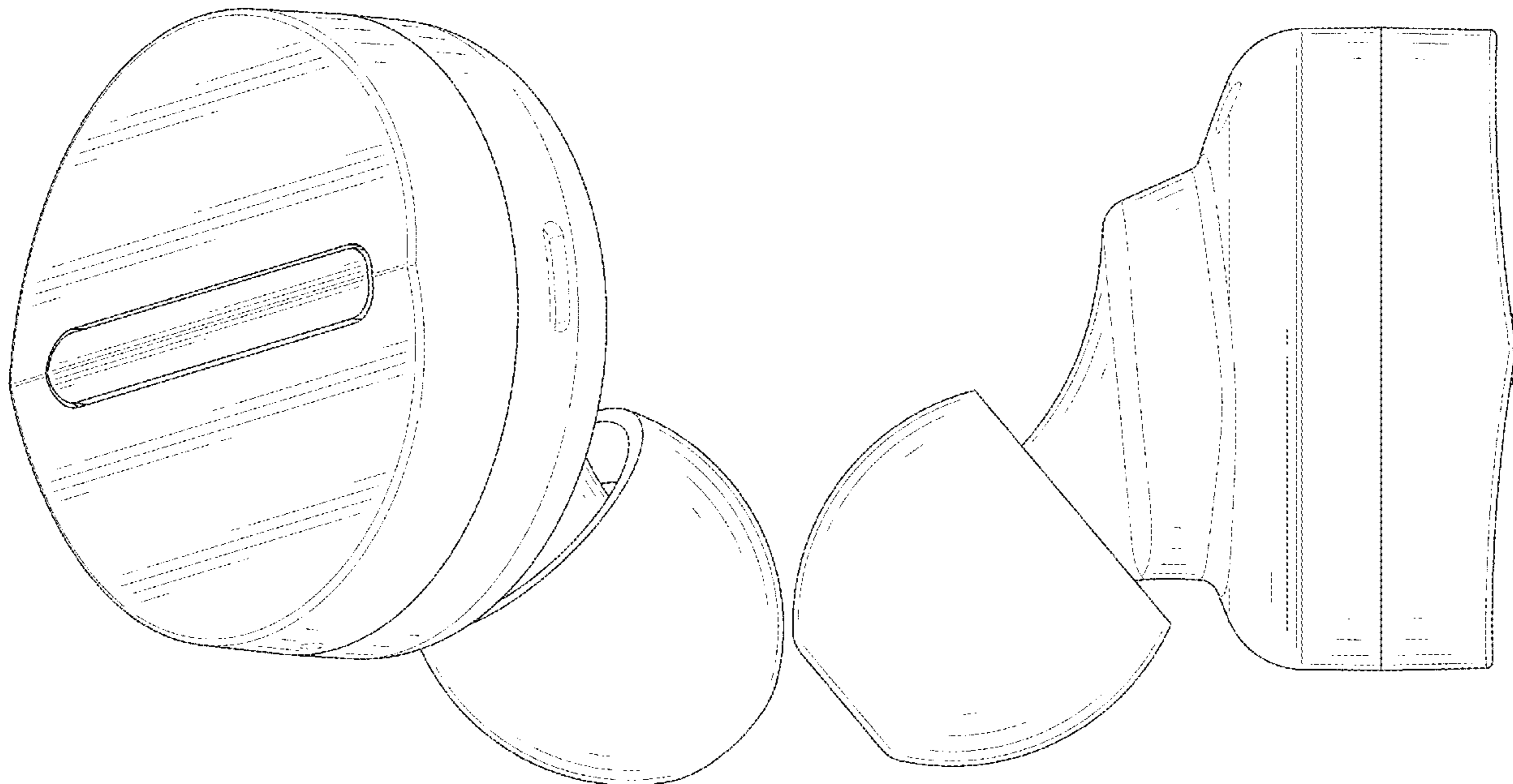
(57) **CLAIM**

The ornamental design for an earphone, as shown and described.

DESCRIPTION

FIG. 1 is a front, right side, top perspective view of an earphone;
FIG. 2 is a front, left side, top perspective view thereof;
FIG. 3 is a rear, left side, bottom perspective view thereof;
FIG. 4 is a rear, right side, bottom perspective view thereof;
FIG. 5 is a rear elevation view thereof;
FIG. 6 is a front elevation view thereof;
FIG. 7 is a right side elevation view thereof;
FIG. 8 is a left side elevation view thereof;
FIG. 9 is a top plan view thereof; and,
FIG. 10 is a bottom plan view thereof.
The broken lines shown in FIGS. 1-4 and 6-10 illustrate portions of the earphone that form no part of the claimed design.

1 Claim, 10 Drawing Sheets



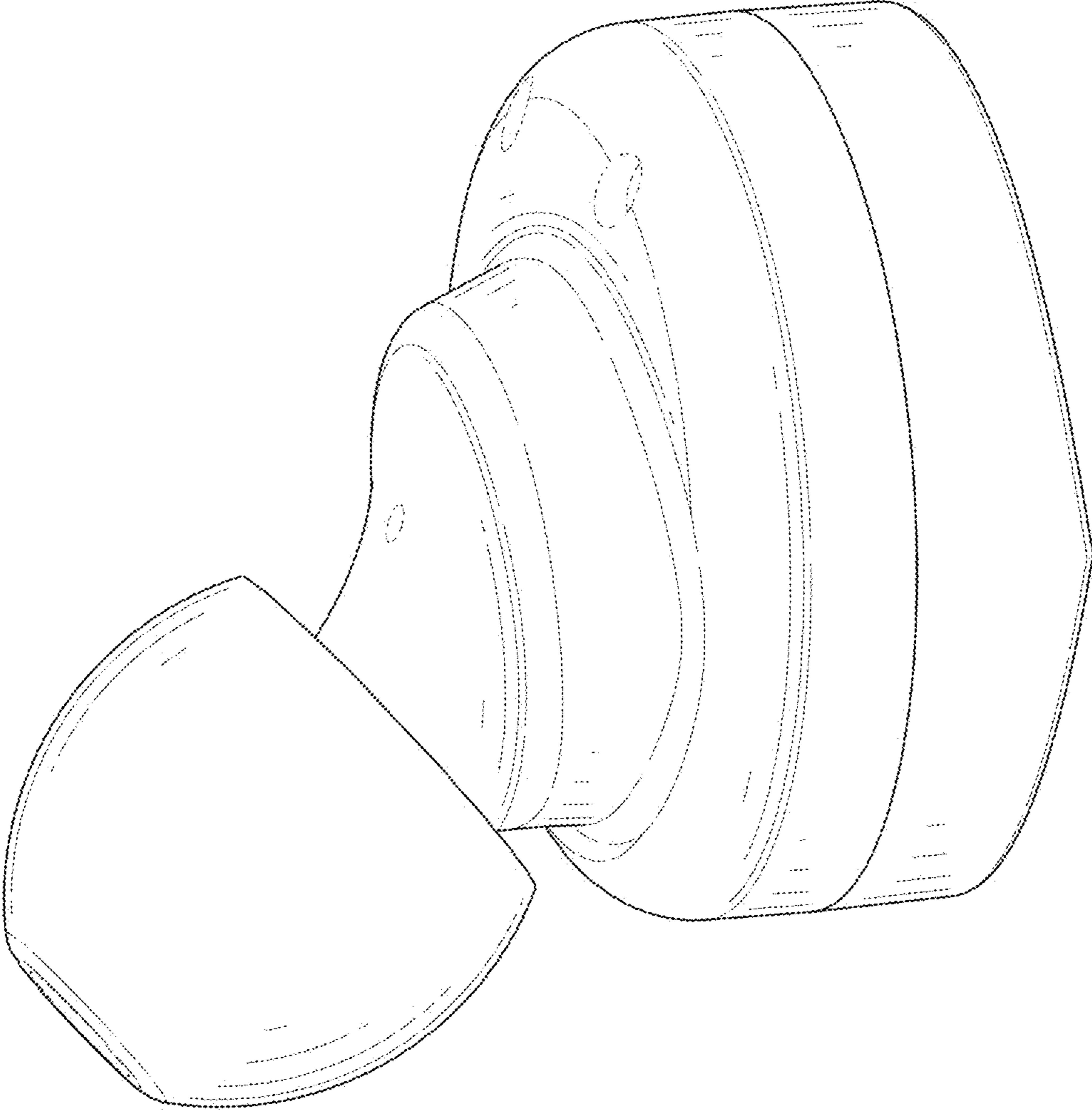


FIG. 1

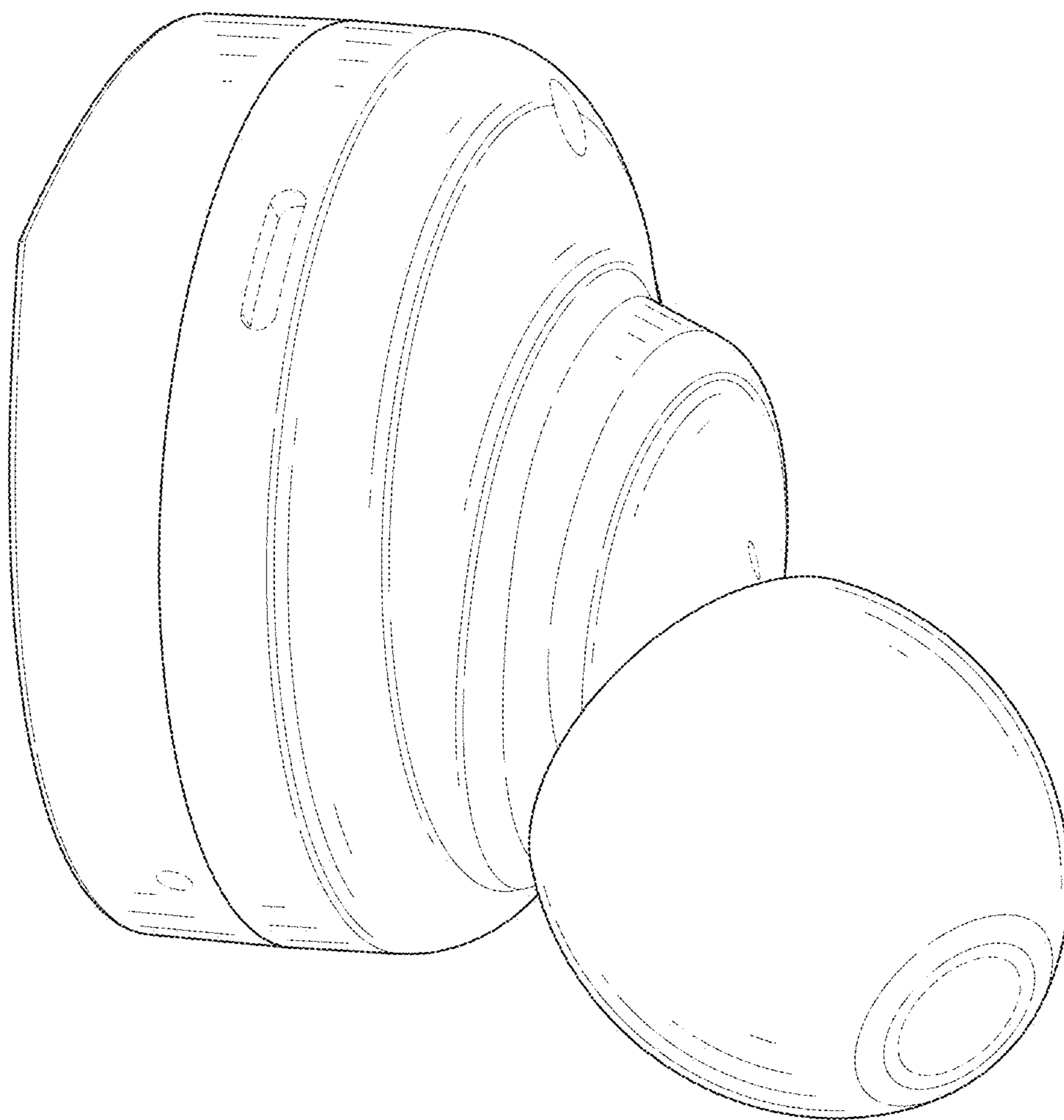


FIG. 2

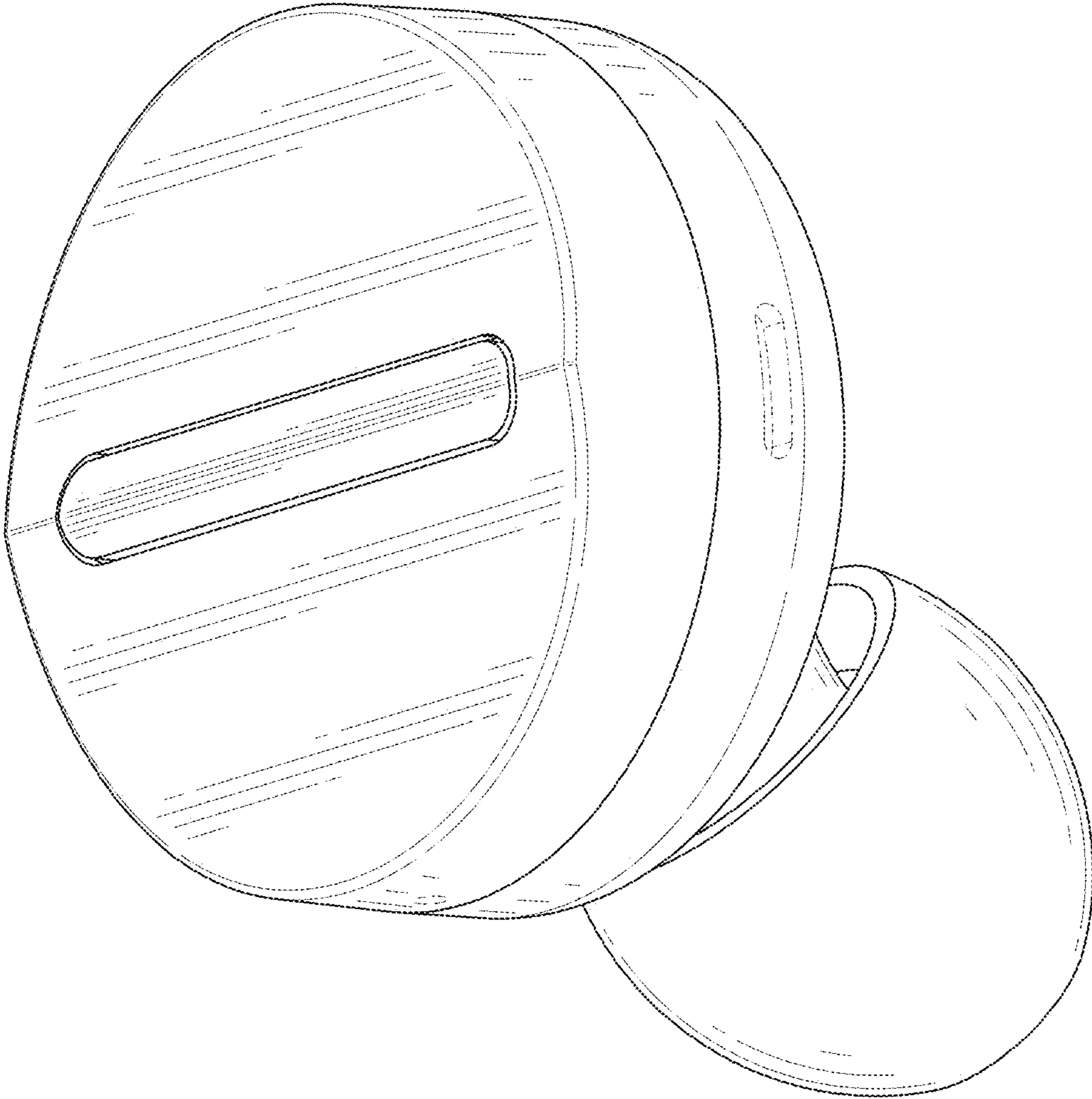


FIG. 3

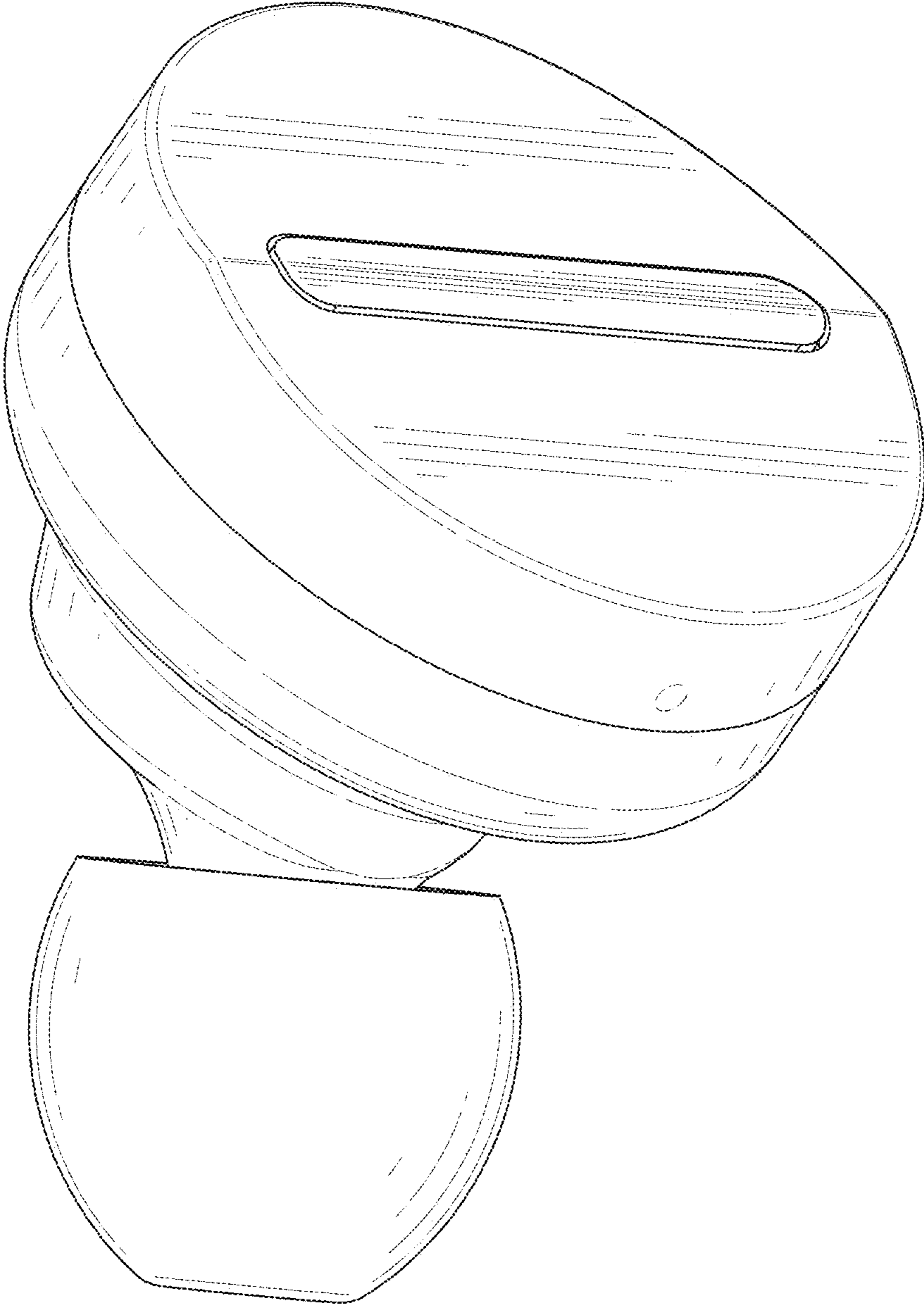


FIG. 4

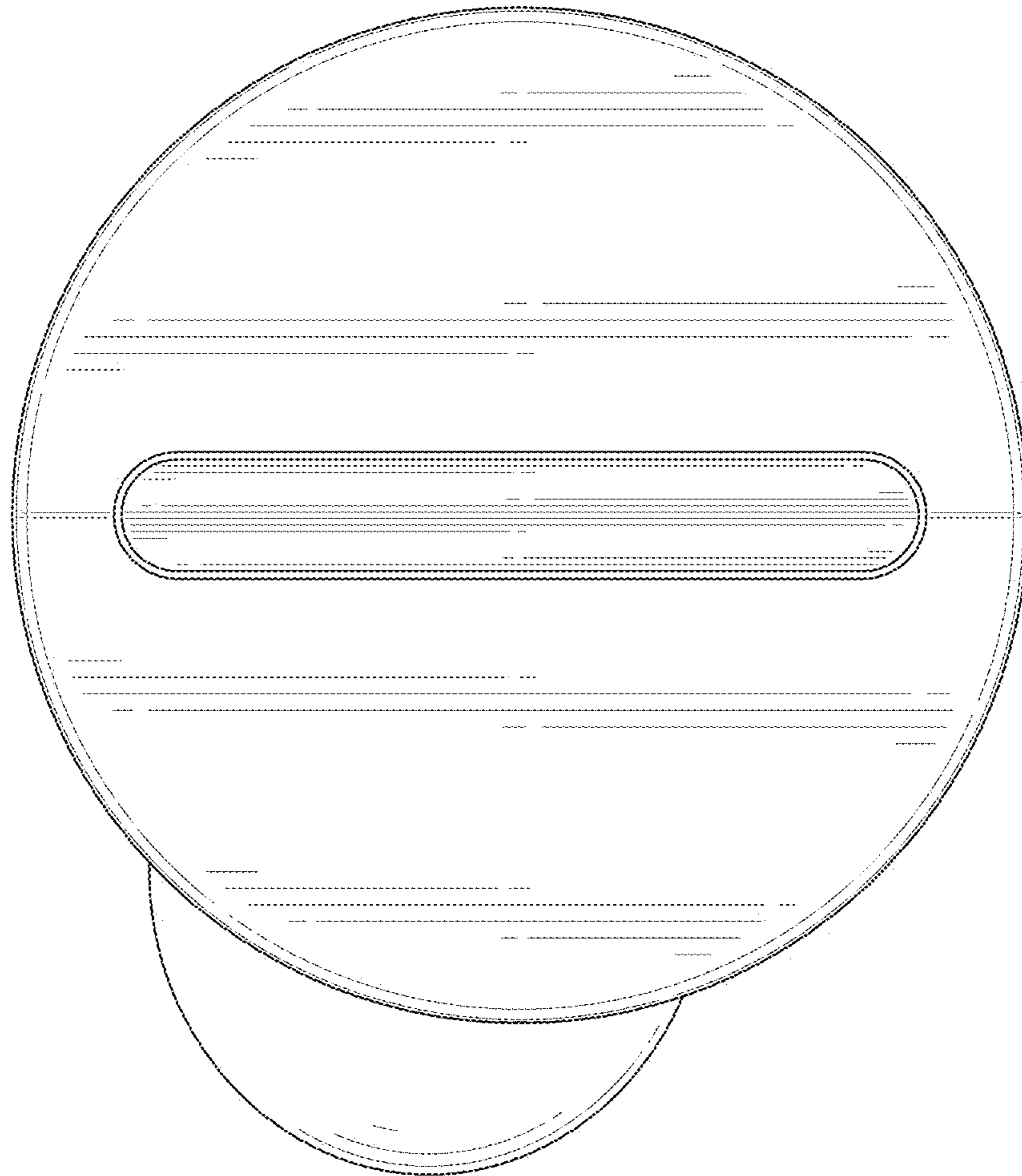


FIG. 5

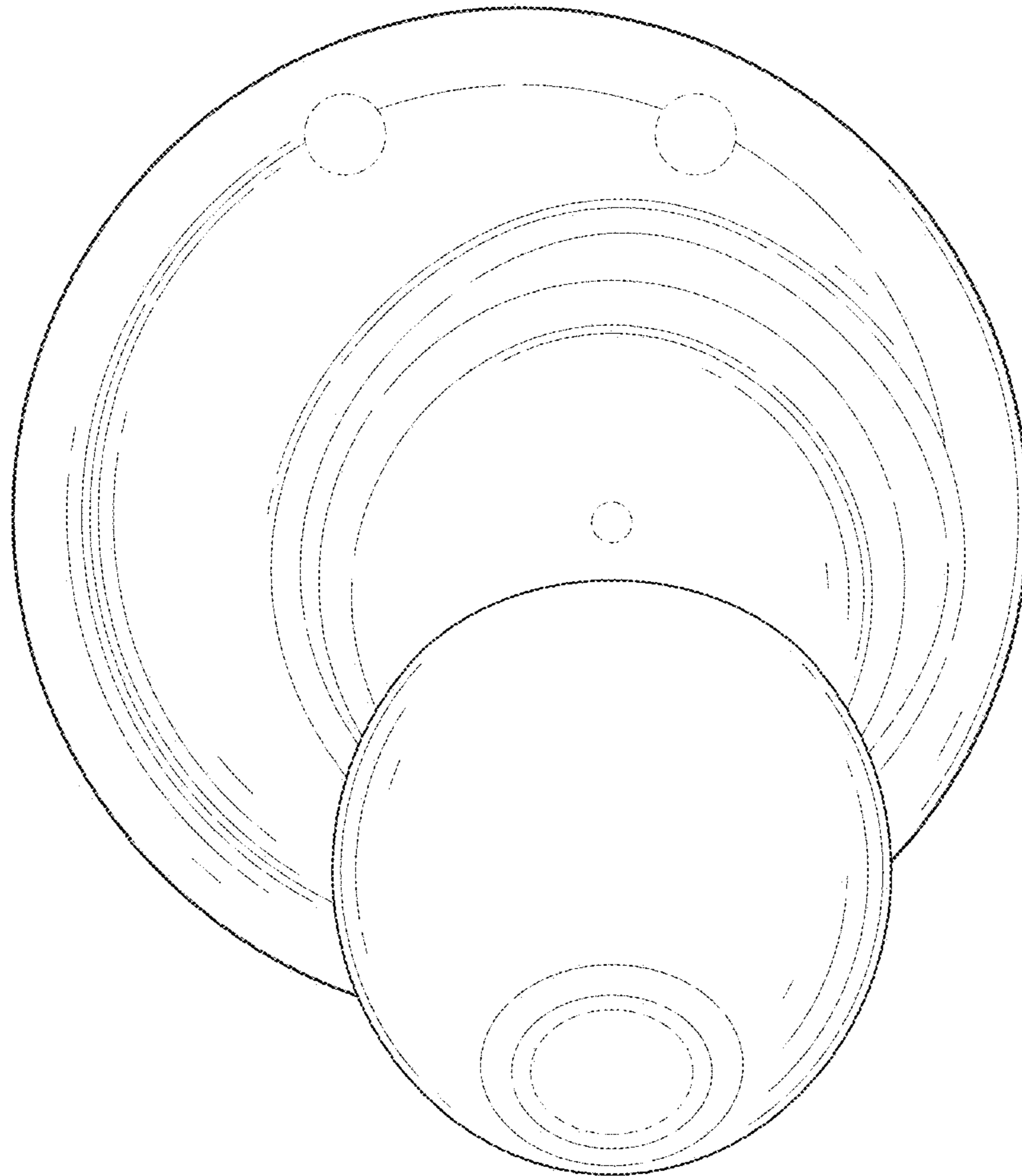


FIG. 6

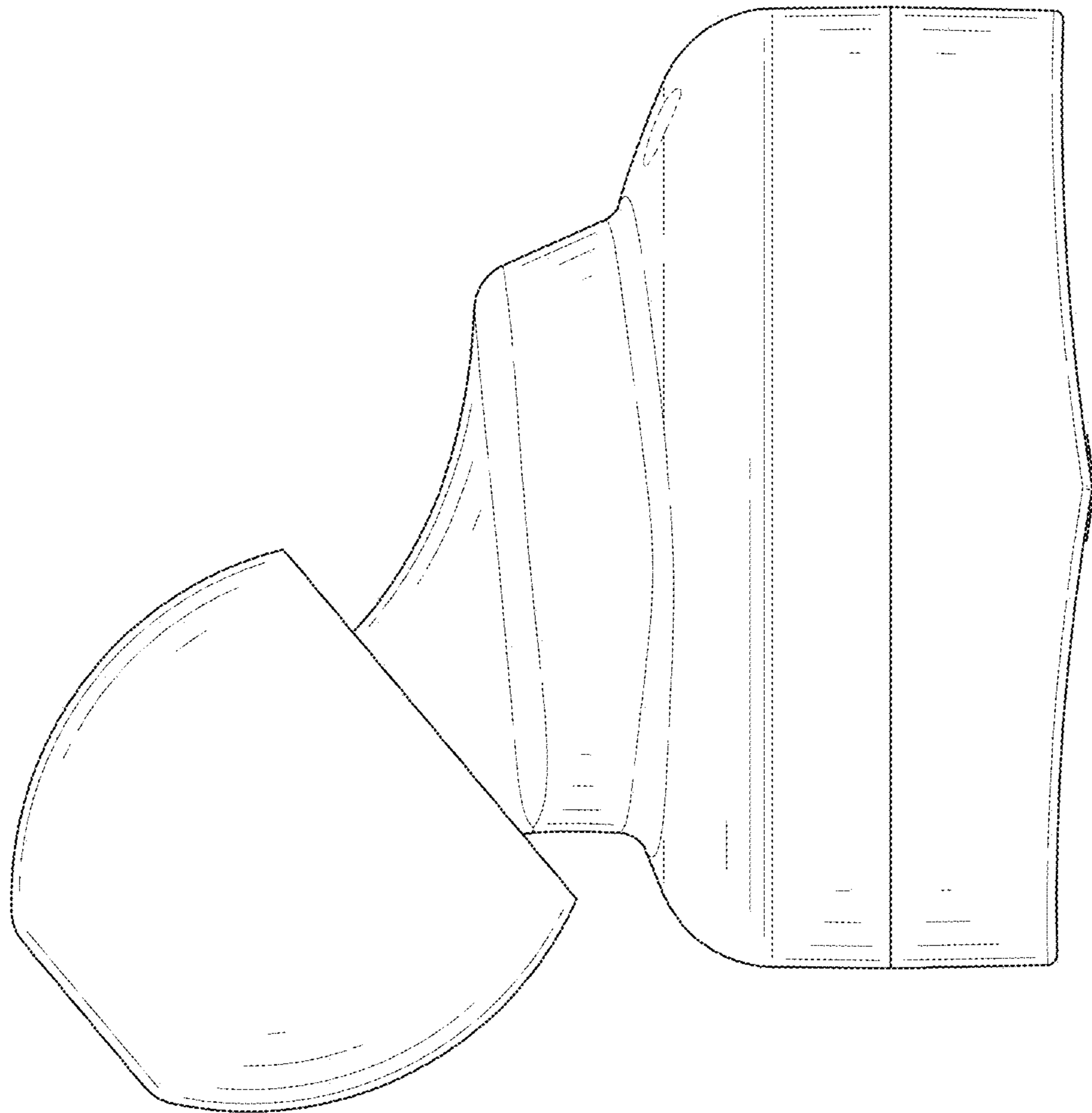


FIG. 7

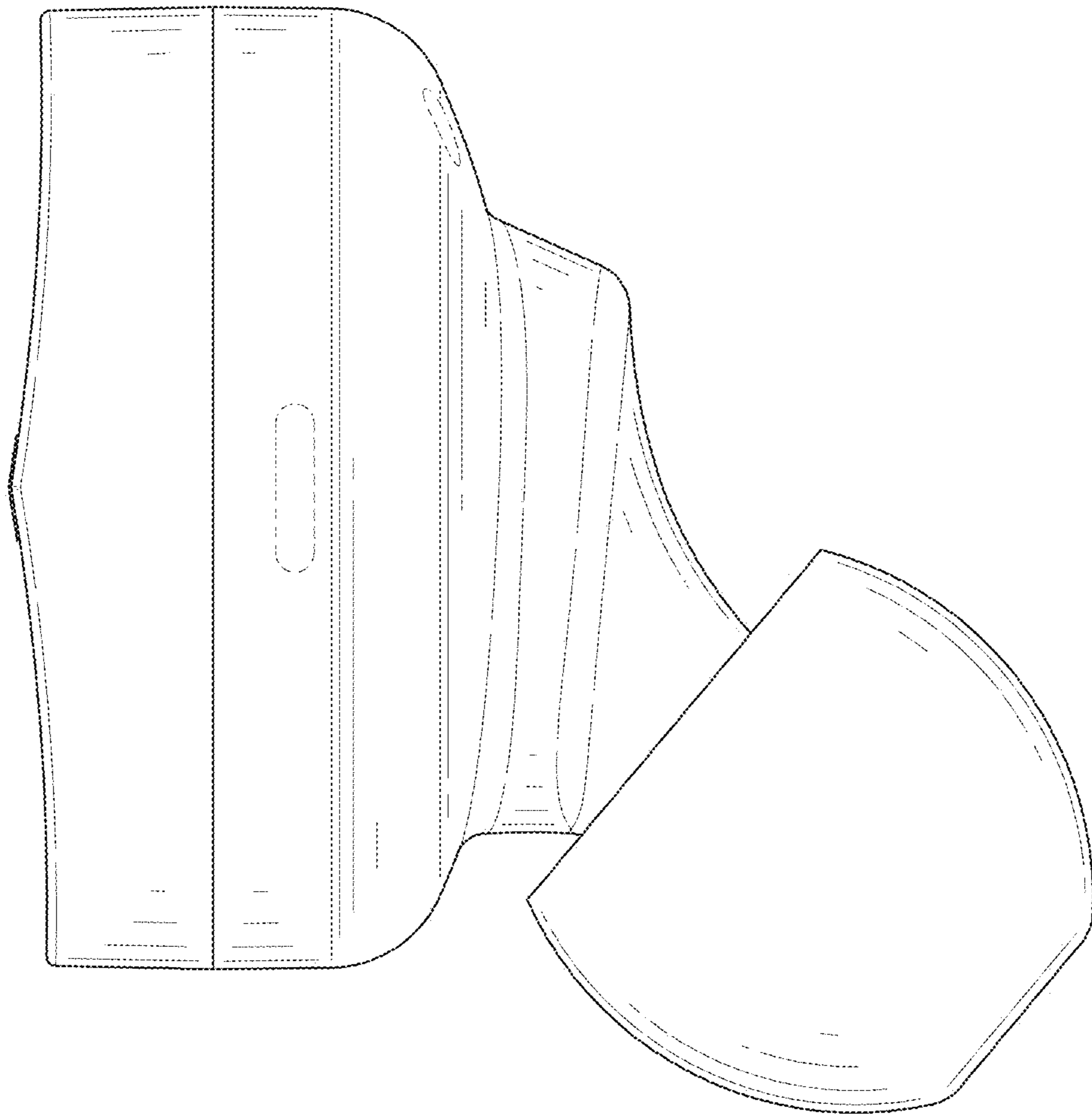


FIG. 8

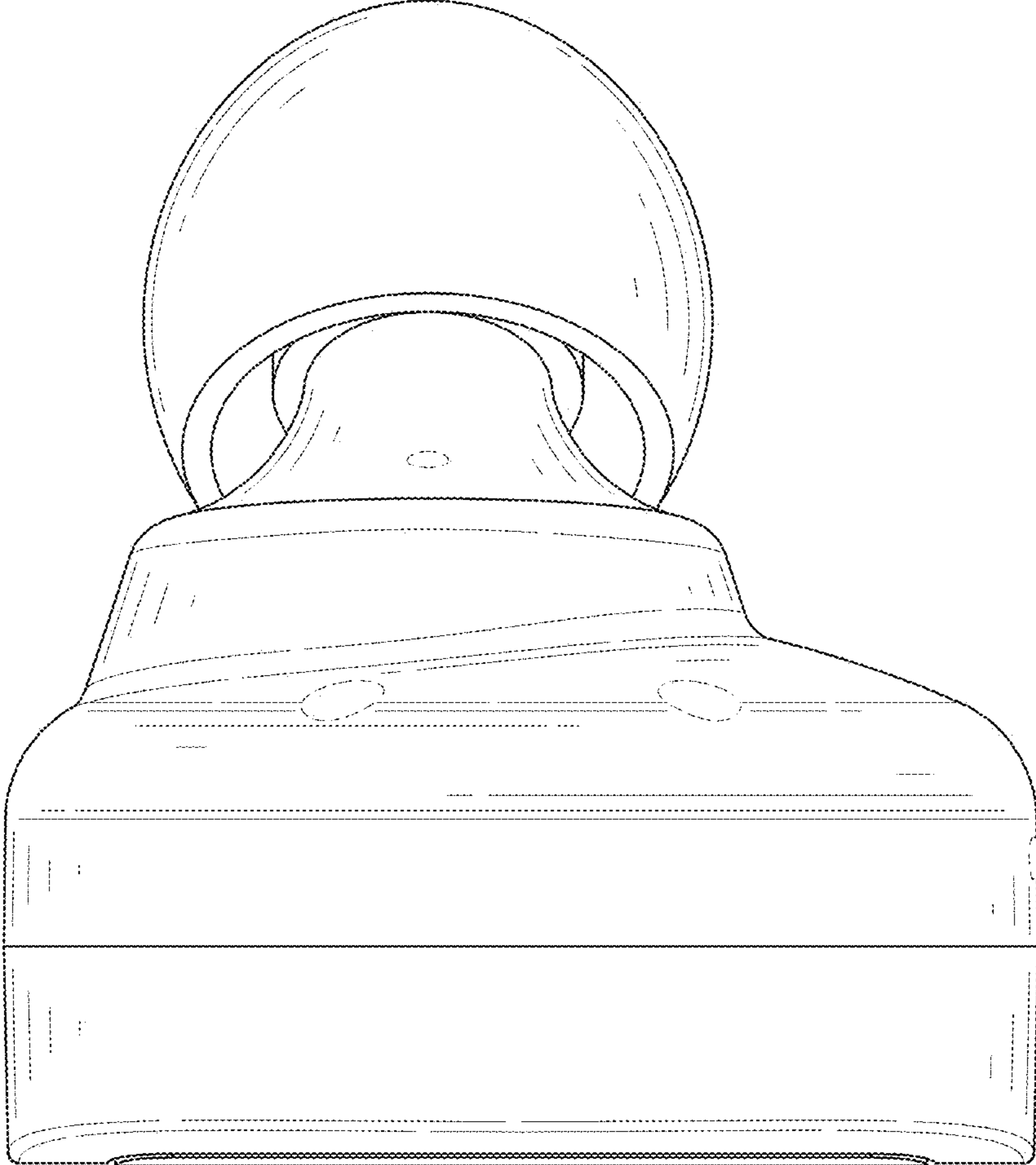


FIG. 9

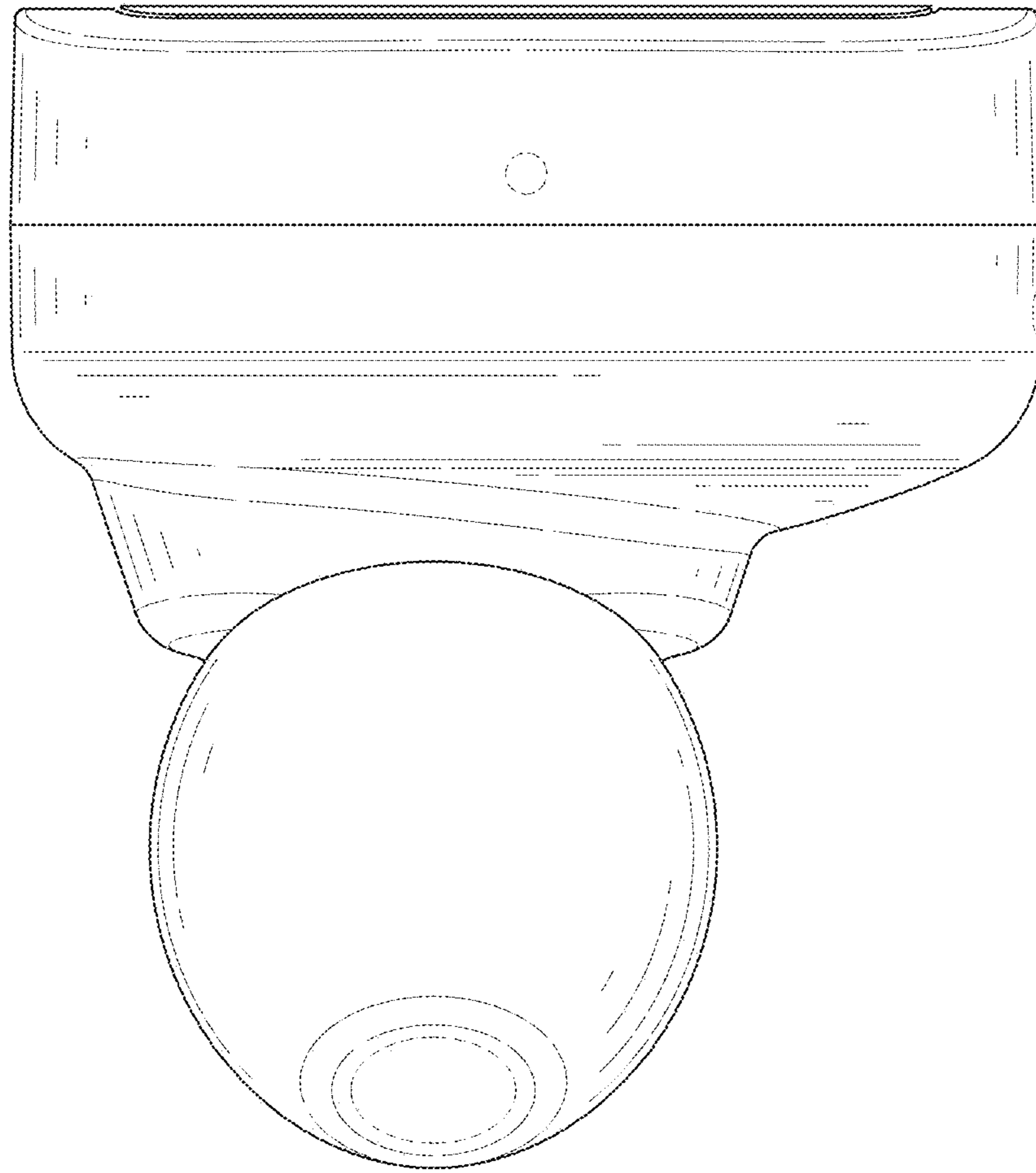


FIG. 10