



US00D906294S

(12) **United States Design Patent**
Van et al.

(10) **Patent No.:** **US D906,294 S**

(45) **Date of Patent:** **** Dec. 29, 2020**

- (54) **SET OF EARBUDS**
- (71) Applicants: **Yau-Tzung Van**, Taipei (TW); **Jung-Yi Huang**, Taipei (TW)
- (72) Inventors: **Yau-Tzung Van**, Taipei (TW); **Jung-Yi Huang**, Taipei (TW)
- (73) Assignee: **COMPAL ELECTRONICS, INC.**, Taipei (TW)
- (**) Term: **15 Years**
- (21) Appl. No.: **29/678,379**
- (22) Filed: **Jan. 28, 2019**
- (51) **LOC (12) Cl.** **14-01**
- (52) **U.S. Cl.**
USPC **D14/223**
- (58) **Field of Classification Search**
USPC D14/223, 205; D24/110.1, 189, 101;
D9/425, 446; 381/380, 381; 206/0.82;
220/375, 23.8; 24/368; 242/538.3;
D28/82; 455/90.3, 575.1, 569.1;
D3/264; D1/127
CPC H04R 25/00; H04R 1/10; H04R 1/1016;
H04R 1/1066; H04R 5/033; H04R 5/0335
See application file for complete search history.

(56) **References Cited**

U.S. PATENT DOCUMENTS

- 2,248,837 A * 7/1941 Walters H04R 25/652
381/380
- 2,826,780 A * 3/1958 Dorfman A45C 13/005
16/385
- 2,845,104 A * 7/1958 Frankel B65D 75/52
220/4.23
- D190,878 S * 7/1961 Bradford D7/316
- 3,244,356 A * 4/1966 Wolowicz B65D 17/4011
229/123.2
- D227,744 S * 7/1973 Mitchko D3/203.2

- 4,048,453 A * 9/1977 Seidel H04M 1/05
379/430
- 4,258,027 A * 3/1981 Ullman A61K 9/2072
424/467
- D263,283 S * 3/1982 Ronayne D9/449
- D281,398 S * 11/1985 Kesselring D9/414
- 4,562,937 A * 1/1986 Iyengar B65D 43/021
220/791
- 4,848,543 A * 7/1989 Doboze B65D 1/34
206/551
- 4,848,548 A * 7/1989 Diehl F16D 23/06
192/69.9
- 5,220,999 A * 6/1993 Goulette B65D 43/162
206/470

(Continued)

Primary Examiner — Paula Allen Greene

(74) *Attorney, Agent, or Firm* — JCIPRNET

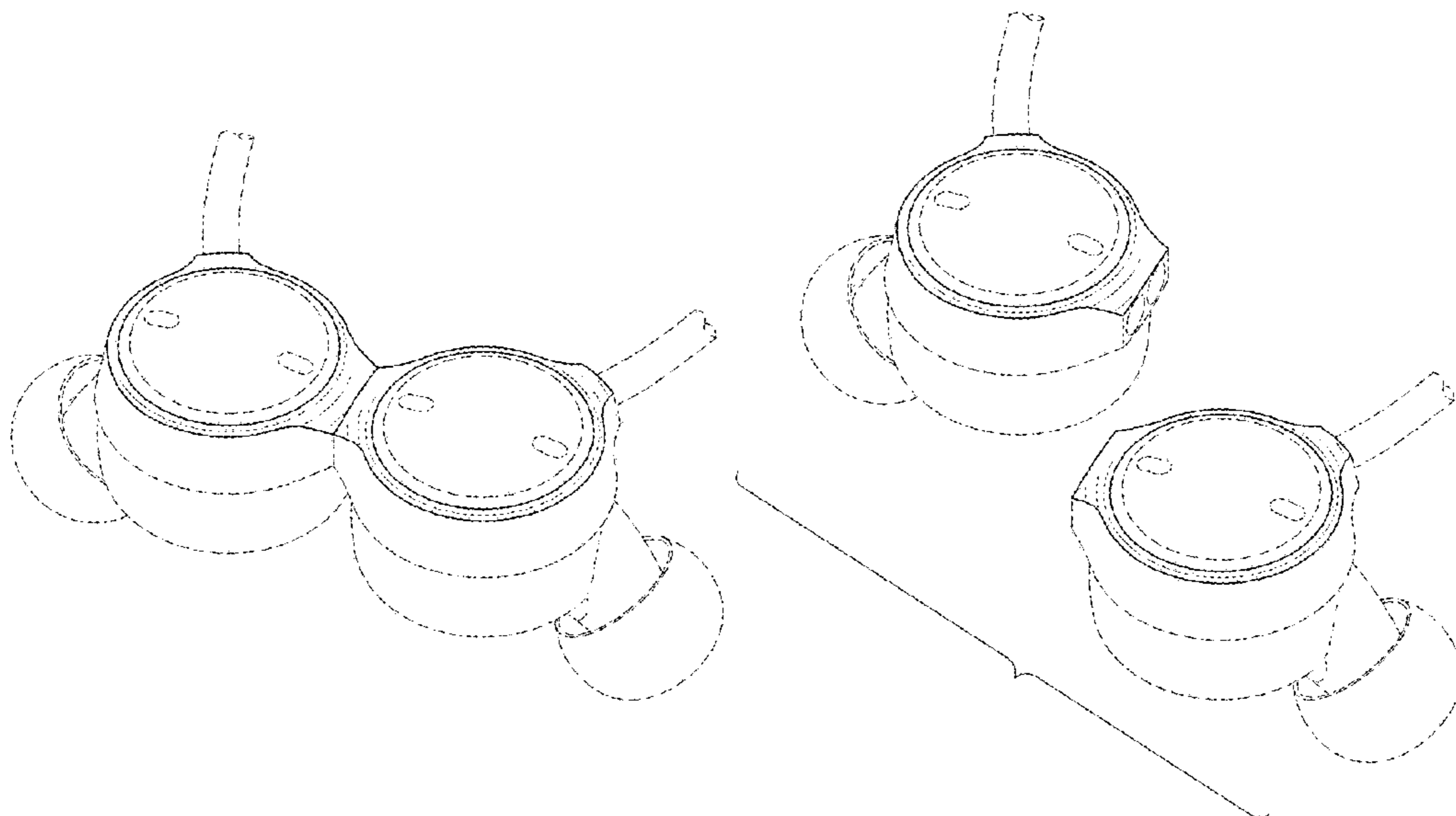
(57) **CLAIM**

The ornamental design for a set of earbuds, as shown and described.

DESCRIPTION

FIG. 1 is a perspective view of a set of earbuds showing our new design;
 FIG. 2 is a front view thereof;
 FIG. 3 is a rear view thereof;
 FIG. 4 is a left side view thereof;
 FIG. 5 is a right side view thereof;
 FIG. 6 is a top view thereof;
 FIG. 7 is a bottom view thereof;
 FIG. 8 is a perspective view thereof, in an alternate position;
 FIG. 9 is a front view thereof with one earbud worn on the user's ear; and,
 FIG. 10 is a front view thereof with the set of earbuds hung around the user's neck.
 The claimed design is defined by the shaded surfaces; the broken lines depict environment that forms no part of the claimed design.

1 Claim, 7 Drawing Sheets



(56)

References Cited

U.S. PATENT DOCUMENTS

D353,328 S *	12/1994	Nuffer	D9/445	D606,970 S *	12/2009	Semcken	D14/205
5,555,554 A *	9/1996	Hofer	H04R 1/22	D627,759 S *	11/2010	Peller	D14/205
				381/371	D635,547 S *	4/2011	Komiyama	D14/205
D398,395 S *	9/1998	Titley	D24/101	D637,997 S *	5/2011	Peller	D14/205
5,812,680 A *	9/1998	Glendon	H04R 25/60	D643,722 S *	8/2011	Gorskey	D9/439
				381/322	D645,339 S *	9/2011	Oakes	D9/420
D439,574 S *	3/2001	Katayama	D14/192	D647,514 S *	10/2011	Wikel	D14/223
6,386,314 B1 *	5/2002	Sheehan	A61B 5/12	D724,718 S *	3/2015	LaGratta	D24/101
				181/129	D746,792 S *	1/2016	Kim	D14/205
6,418,230 B1 *	7/2002	McDonald	H04R 1/10	D797,041 S *	9/2017	Meyerhoffer	D13/107
				381/381	D836,004 S *	12/2018	Oommen	D9/756
6,772,853 B2 *	8/2004	Yang	H04R 1/1066	D863,260 S *	10/2019	Zheng	D14/223
				181/129	D865,721 S *	11/2019	Kirkpatrick	D14/223
D505,411 S *	5/2005	Sakai	D14/192	D868,729 S *	12/2019	Czaniecki	D14/205
7,356,362 B2 *	4/2008	Chang	H04R 1/1033	D873,248 S *	1/2020	Weicheng	D14/223
				379/430	D875,068 S *	2/2020	Nagamine	D14/205
D588,111 S *	3/2009	Komiyama	D14/223	D880,291 S *	4/2020	Meizlish	D9/421
D599,781 S *	9/2009	Lee	D14/205	2009/0238395 A1 *	9/2009	Jubelirer	H04R 1/10
D606,969 S *	12/2009	Semcken	D14/205					381/370
					2011/0044487 A1 *	2/2011	Nault	H04R 1/1033
									381/380
					2016/0316290 A1 *	10/2016	Shen	H04R 1/1025

* cited by examiner

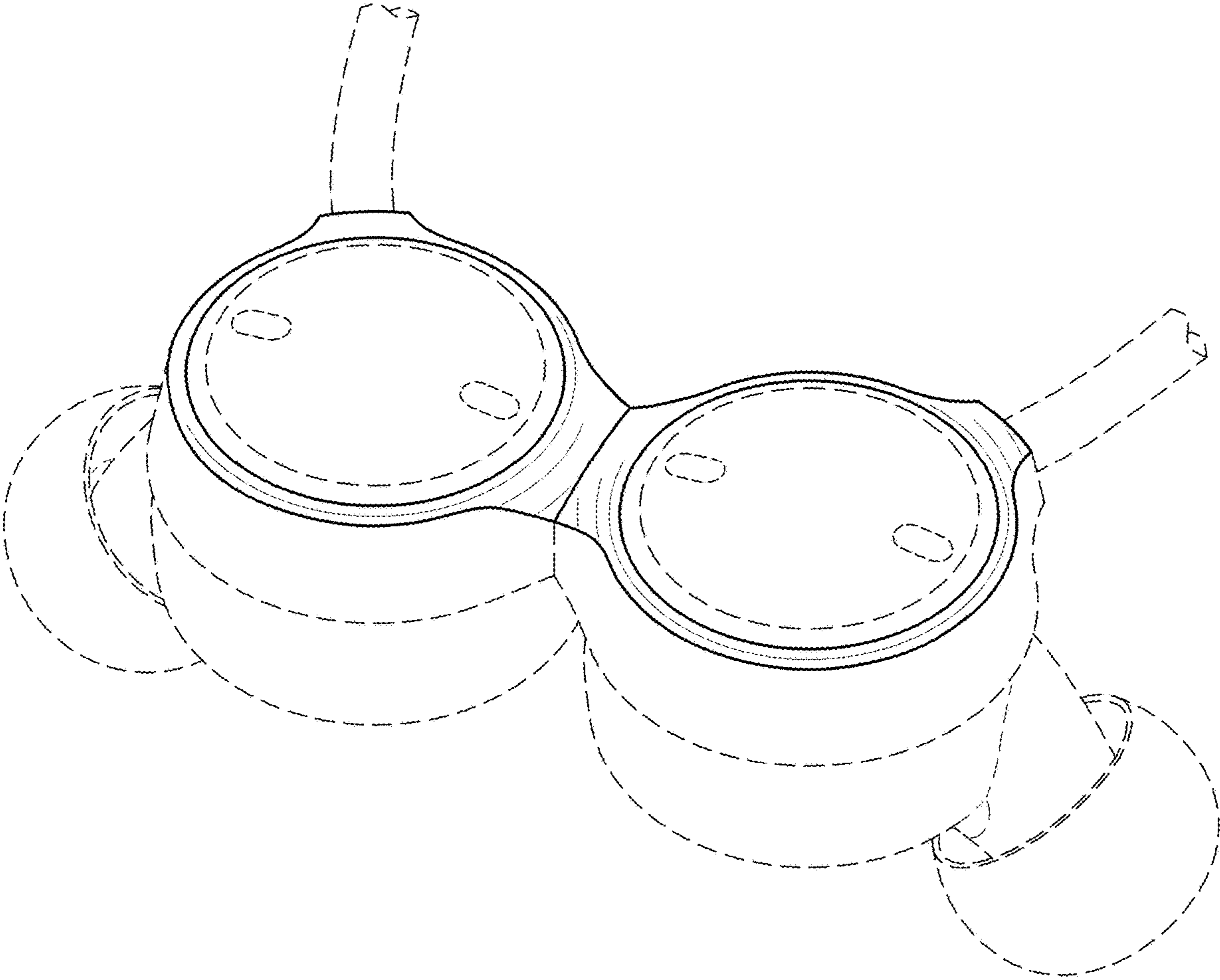


FIG. 1

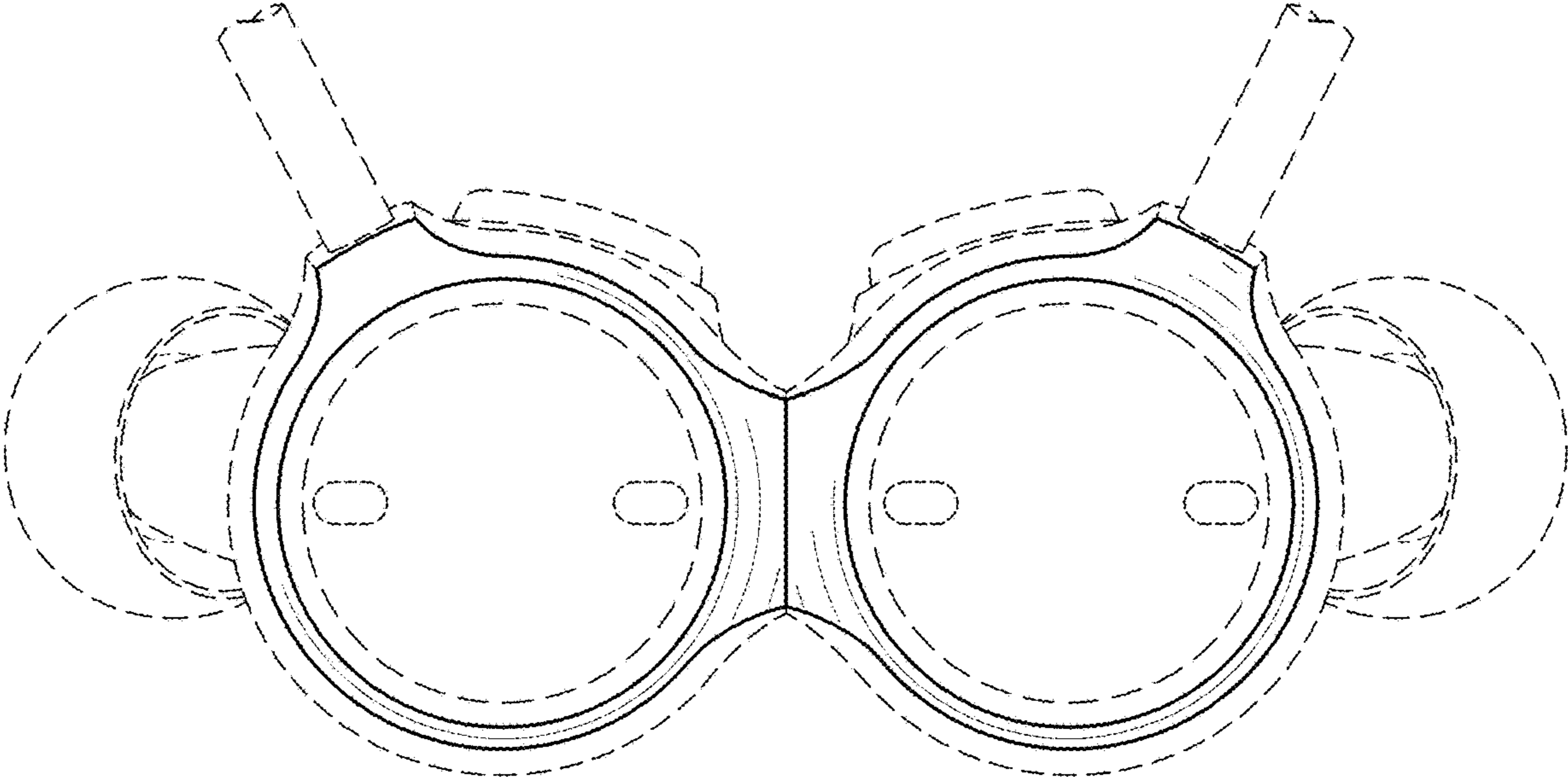


FIG. 2

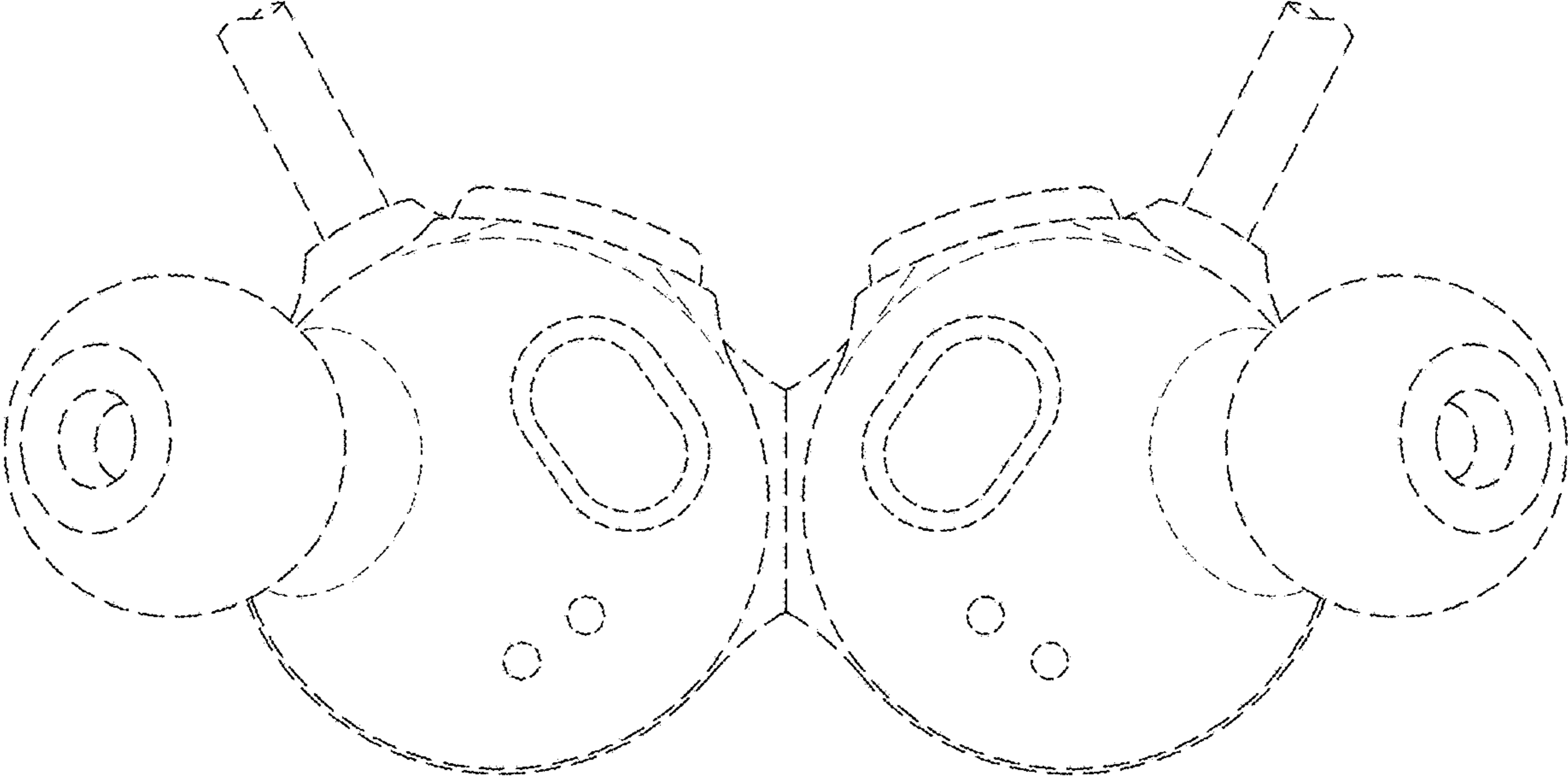


FIG. 3

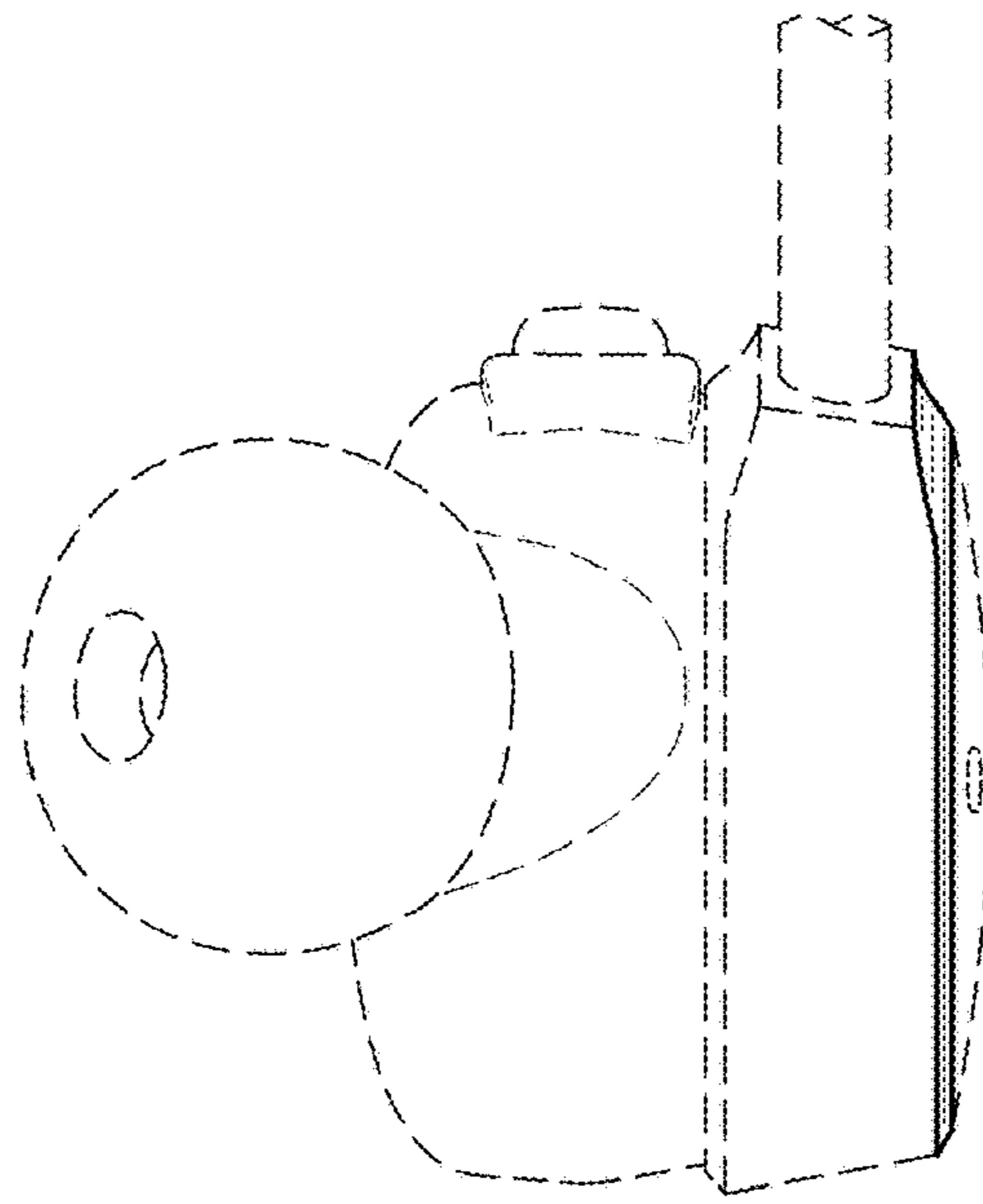


FIG. 4

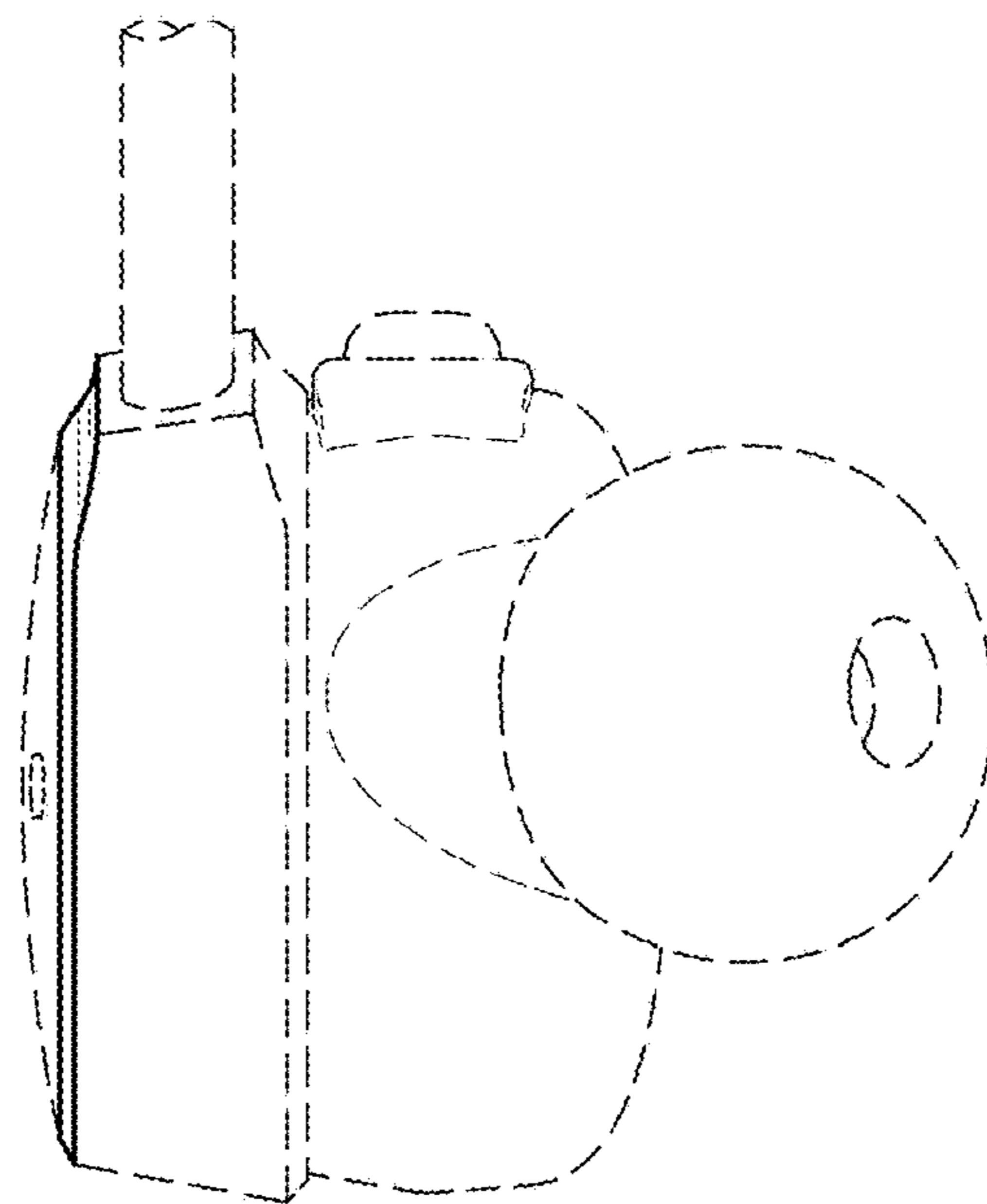


FIG. 5

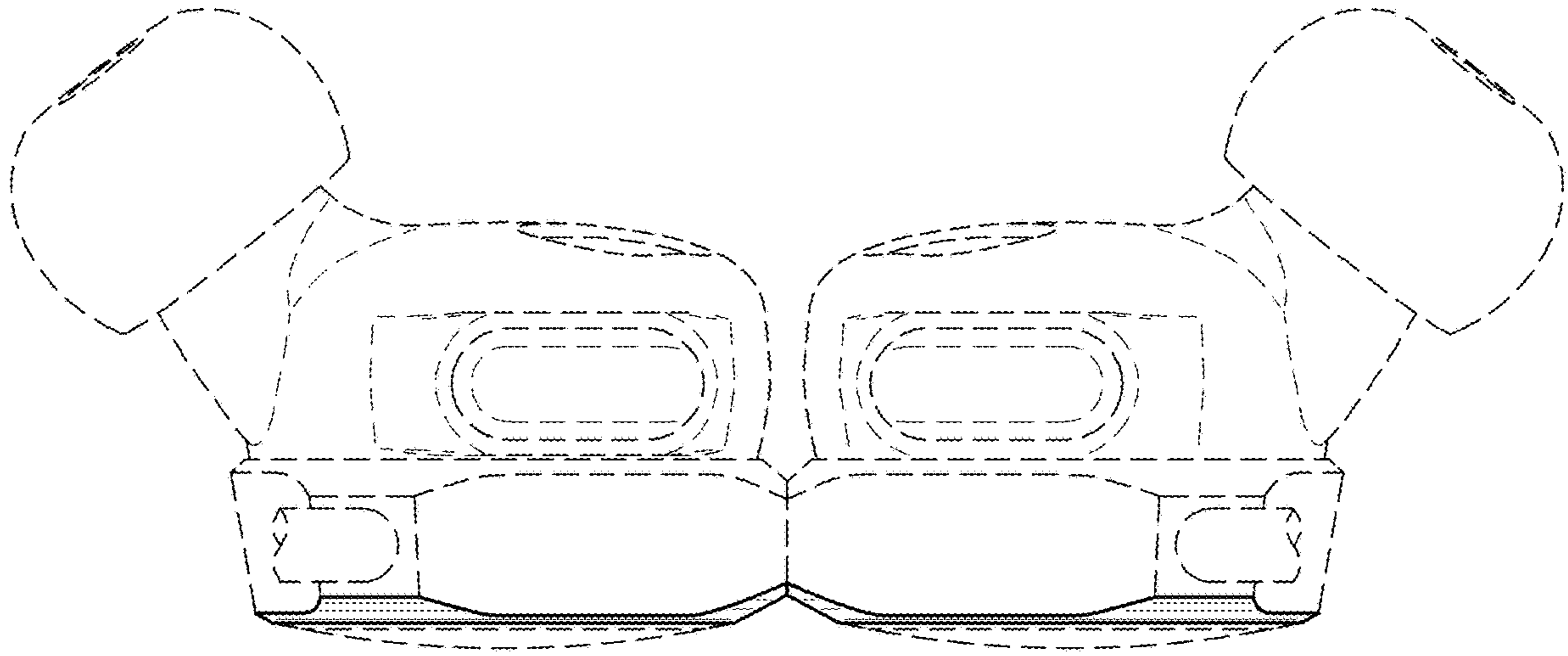


FIG. 6

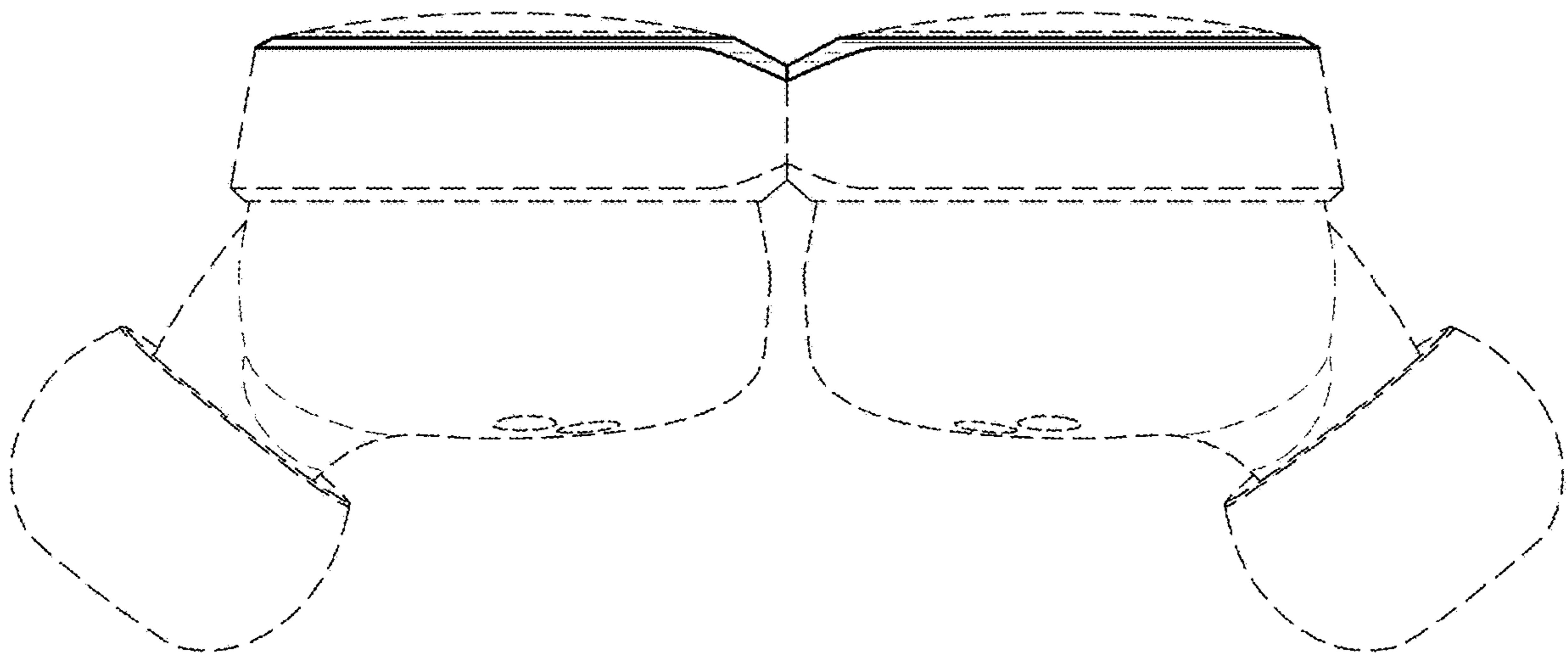


FIG. 7

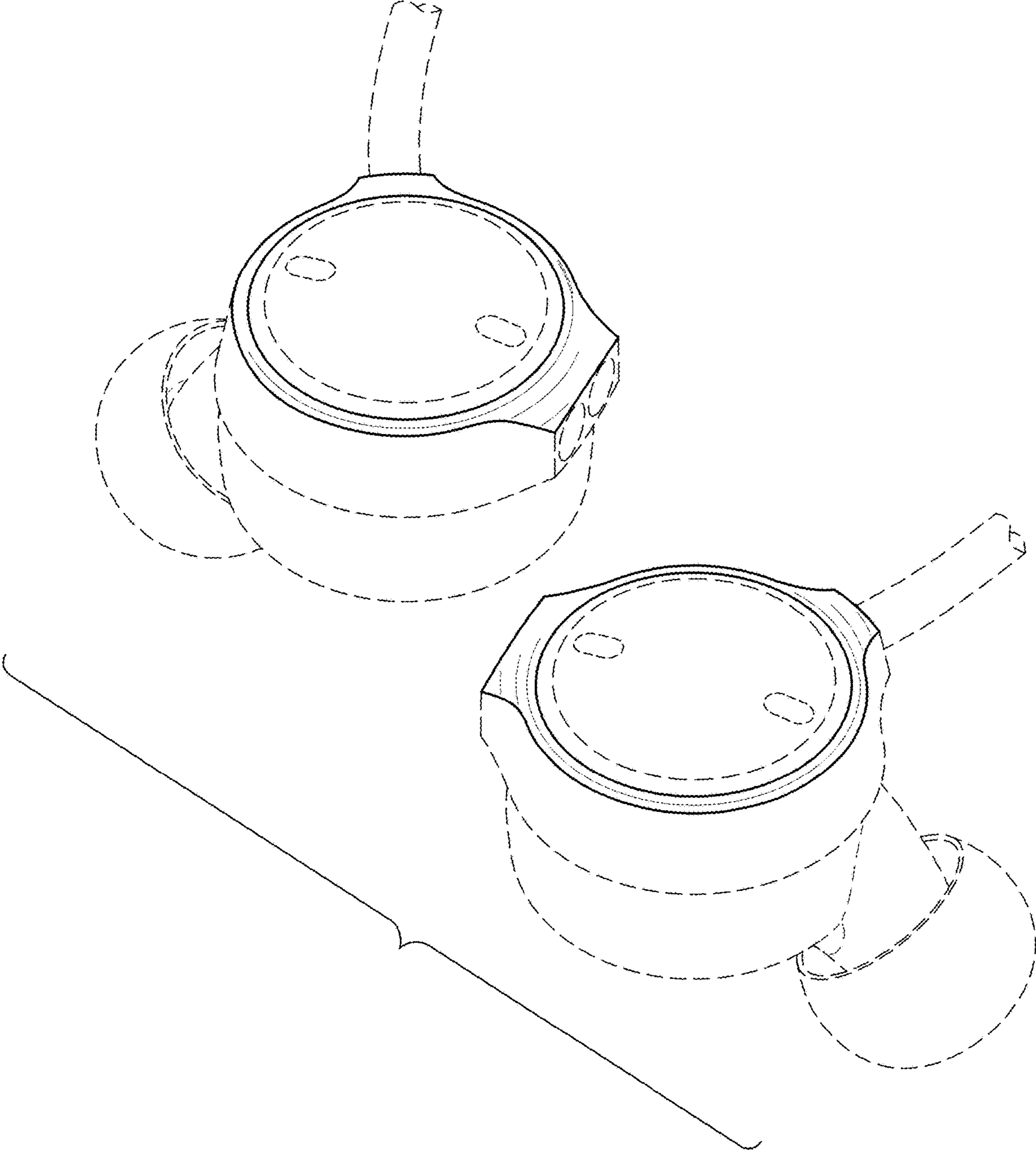


FIG. 8

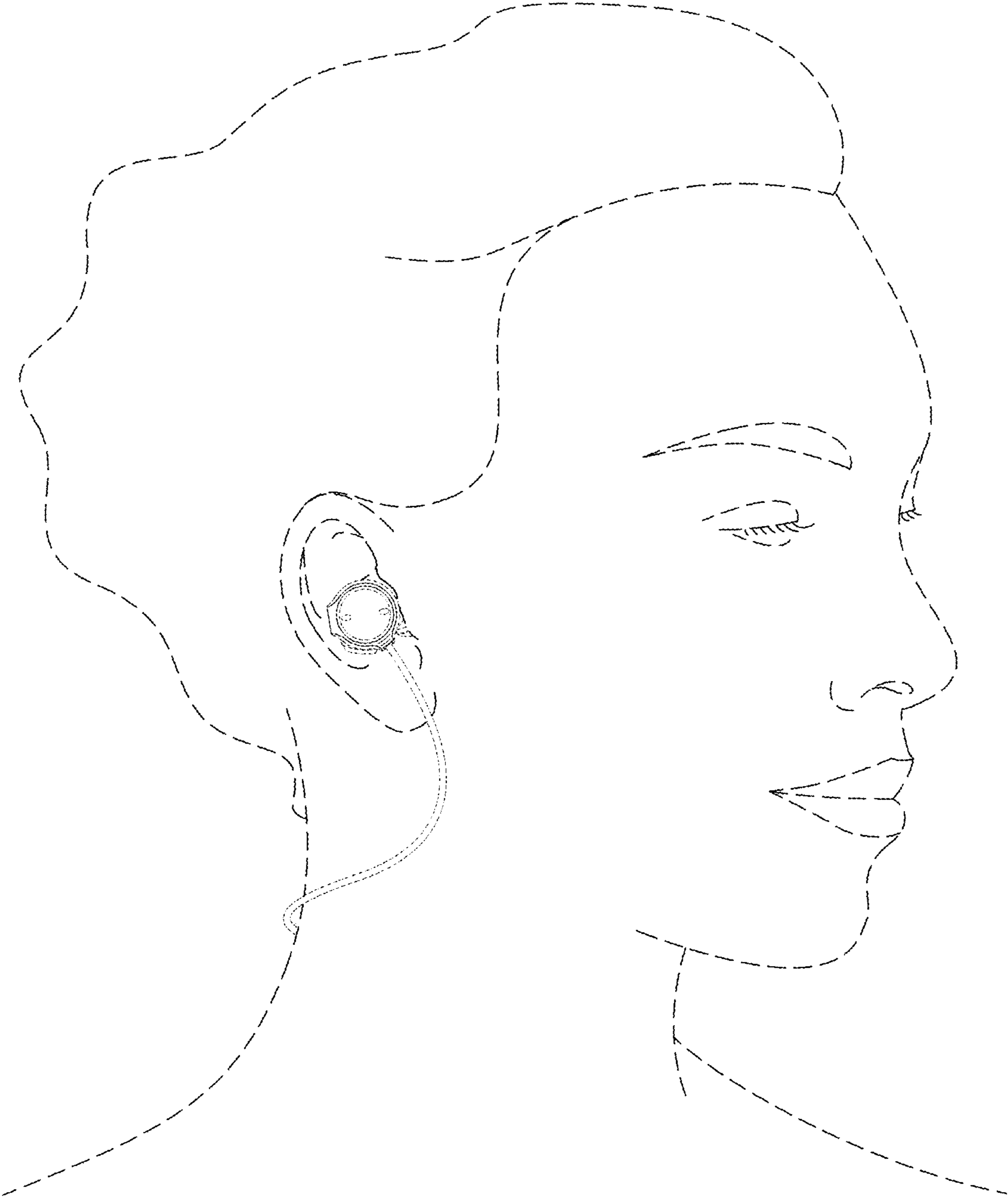


FIG. 9

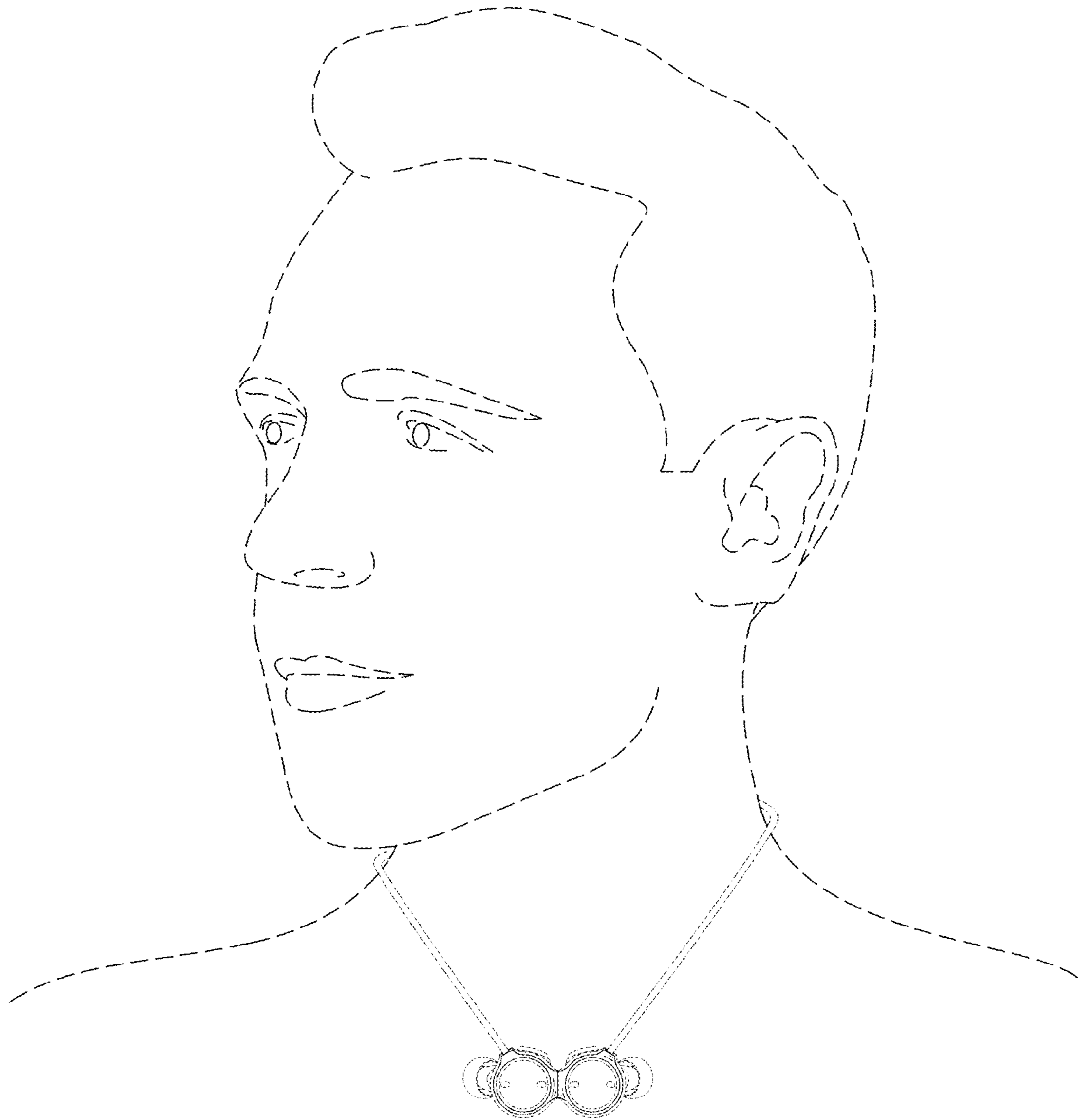


FIG. 10