



US00D906292S

(12) **United States Design Patent**
Wang

(10) **Patent No.:** **US D906,292 S**
(45) **Date of Patent:** **** Dec. 29, 2020**

(54) **WIRELESS BLUETOOTH HEADSET**

FOREIGN PATENT DOCUMENTS

(71) Applicant: **Shenzhen Shengxingwang Precision Technology Co., Ltd., Shenzhen (CN)**

CN 201730052525 * 2/2017
CN 201830309964 * 6/2018

(72) Inventor: **Baoqing Wang, Shenzhen (CN)**

OTHER PUBLICATIONS

(**) Term: **15 Years**

Original Xiaomi Redmi AirDots Wireless Bluetooth Headset, announced © 2014-2020 [online], retrieved Mar. 24, 2020, retrieved from internet, https://www.gearbest.com/headsets/pp_009839056462.html.*

(21) Appl. No.: **29/666,521**

(22) Filed: **Oct. 12, 2018**

(Continued)

(51) **LOC (12) Cl.** **14-01**

(52) **U.S. Cl.**
USPC **D14/223**

(58) **Field of Classification Search**
USPC ... D14/205, 207, 209.1, 217, 218, 221, 223,
D14/224, 224.1, 225; D24/173, 174, 106,
D24/105

CPC H04R 1/00; H04R 1/10; H04R 1/1016;
H04R 1/1066; H04R 1/105; H04R
1/1033; H04R 1/1083; H04R 1/1091;
H04R 5/033; H04R 5/0335; H04R 25/00

See application file for complete search history.

Primary Examiner — Dana K Weiland
Assistant Examiner — Messina L Smith
(74) *Attorney, Agent, or Firm* — HYIP

(57) **CLAIM**

The ornamental design for a wireless Bluetooth headset, as shown and described.

DESCRIPTION

(56) **References Cited**

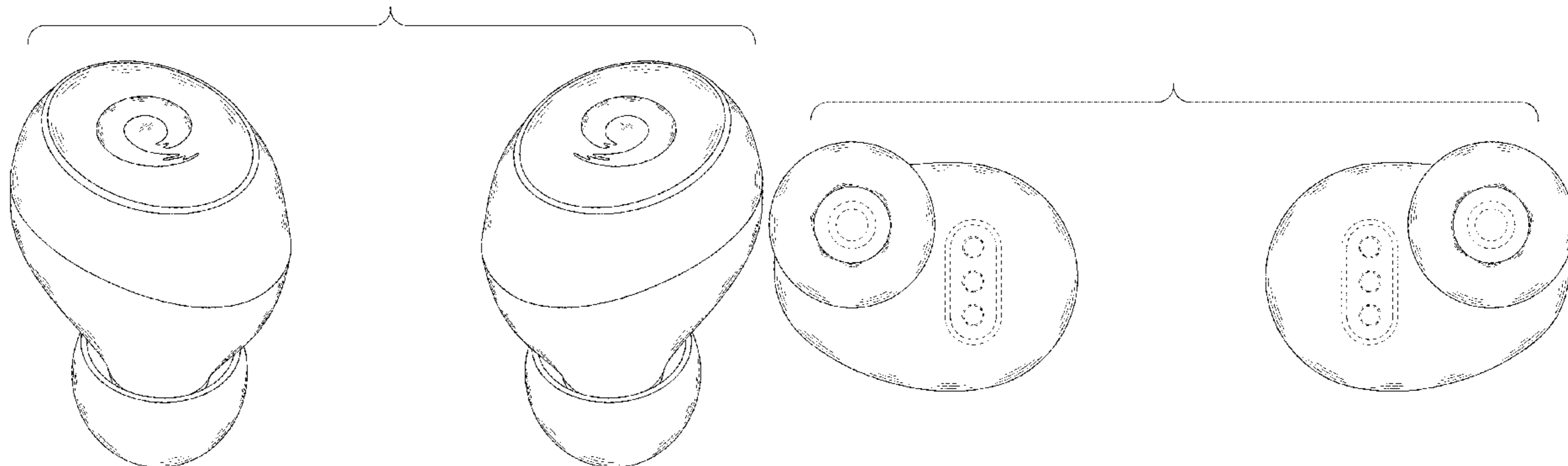
U.S. PATENT DOCUMENTS

D554,756 S	*	11/2007	Sjursen	D24/174
D719,139 S	*	12/2014	Henry	D14/223
D728,107 S	*	4/2015	Torres Martin	D24/174
D733,103 S	*	6/2015	Jeong	D14/224
D773,439 S	*	12/2016	Walker	D14/205
D805,060 S	*	12/2017	Loermann	D14/223
D806,879 S	*	1/2018	Horbinski	D24/174
D812,042 S	*	3/2018	Xiao	D14/223
D813,205 S	*	3/2018	Palmborg	D14/223
D813,848 S	*	3/2018	Palmborg	D14/223
D822,645 S	*	7/2018	Loermann	D14/223
D823,835 S	*	7/2018	Loermann	D14/223
D824,371 S	*	7/2018	Loermann	D14/223
D826,211 S	*	8/2018	Kim	D14/206
D836,089 S	*	12/2018	Loermann	D14/223
D843,353 S	*	3/2019	Zhang	D14/223

(Continued)

FIG. 1 is a perspective view of a wireless Bluetooth headset showing my new design;
FIG. 2 is a front view of the left piece of the wireless Bluetooth headset and a rear view of the right piece of the wireless Bluetooth headset;
FIG. 3 is a rear view of the left piece of the wireless Bluetooth headset and a front view of the right piece of the wireless Bluetooth headset;
FIG. 4 is a left side view of the wireless Bluetooth headset;
FIG. 5 is a right side view thereof;
FIG. 6 is a top view thereof; and,
FIG. 7 is a bottom view thereof.
The broken lines in the drawings depict portions of the wireless Bluetooth headset that form no part of the claimed design.

1 Claim, 7 Drawing Sheets



(56)

References Cited

U.S. PATENT DOCUMENTS

D845,932	S	*	4/2019	Lu	D14/223
D847,126	S	*	4/2019	Loermann	D14/223
D851,072	S	*	6/2019	McNamara	D14/223
D852,782	S	*	7/2019	Bergman	D14/223
D858,489	S	*	9/2019	Hu	D14/223
D863,263	S	*	10/2019	Yu	D14/223
D864,167	S	*	10/2019	Wu	D14/223
D866,530	S	*	11/2019	Birger	D14/223
D868,750	S	*	12/2019	Zheng	D14/223
D868,752	S	*	12/2019	Zhu	D14/223
D871,376	S	*	12/2019	Zhou	D14/223
D872,063	S	*	1/2020	Arimoto	D14/223
D872,064	S	*	1/2020	Cai	D14/223
D873,805	S	*	1/2020	Yang	D14/223
D875,714	S	*	2/2020	Kim	D14/205
D875,719	S	*	2/2020	Wen	D14/223
2016/0072558	A1	*	3/2016	Hirsch	H04W 4/80 455/41.1
2017/0111725	A1	*	4/2017	Boesen	H04R 1/1016
2017/0366233	A1	*	12/2017	Hviid	H04B 5/02
2018/0014104	A1	*	1/2018	Boesen	H04R 1/1041
2018/0131798	A1	*	5/2018	Hviid	H04R 1/1016
2019/0064344	A1	*	2/2019	Turner	A61B 5/02055
2020/0037084	A1	*	1/2020	Cheung	H04R 1/1083

OTHER PUBLICATIONS

JBL Free X, announced © 2020 [online], retrieved Mar. 24, 2020, retrieved from internet, <https://www.jbl.com/wireless-headphones/JBL+FREE+X.html>.*

* cited by examiner

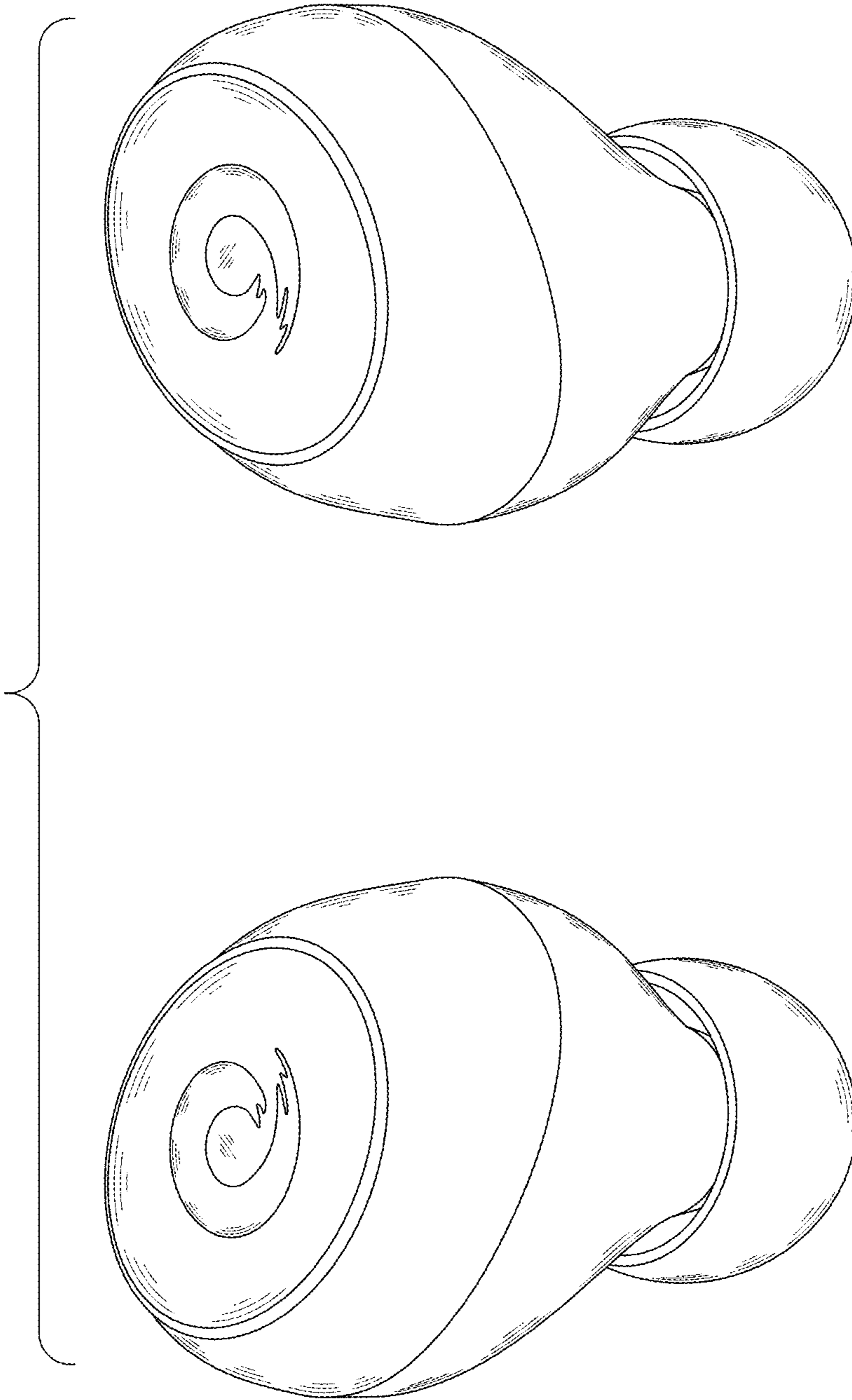


FIG. 1

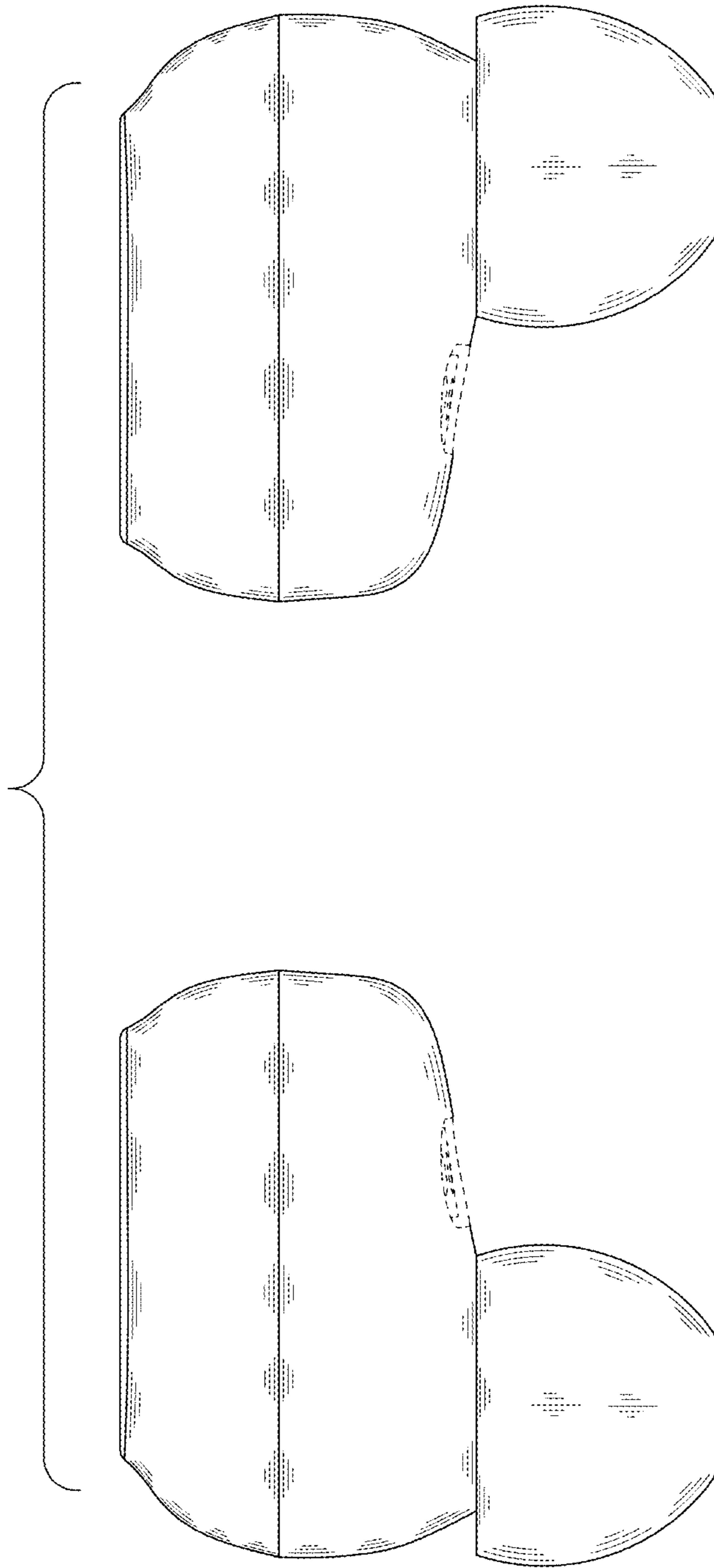


FIG. 2

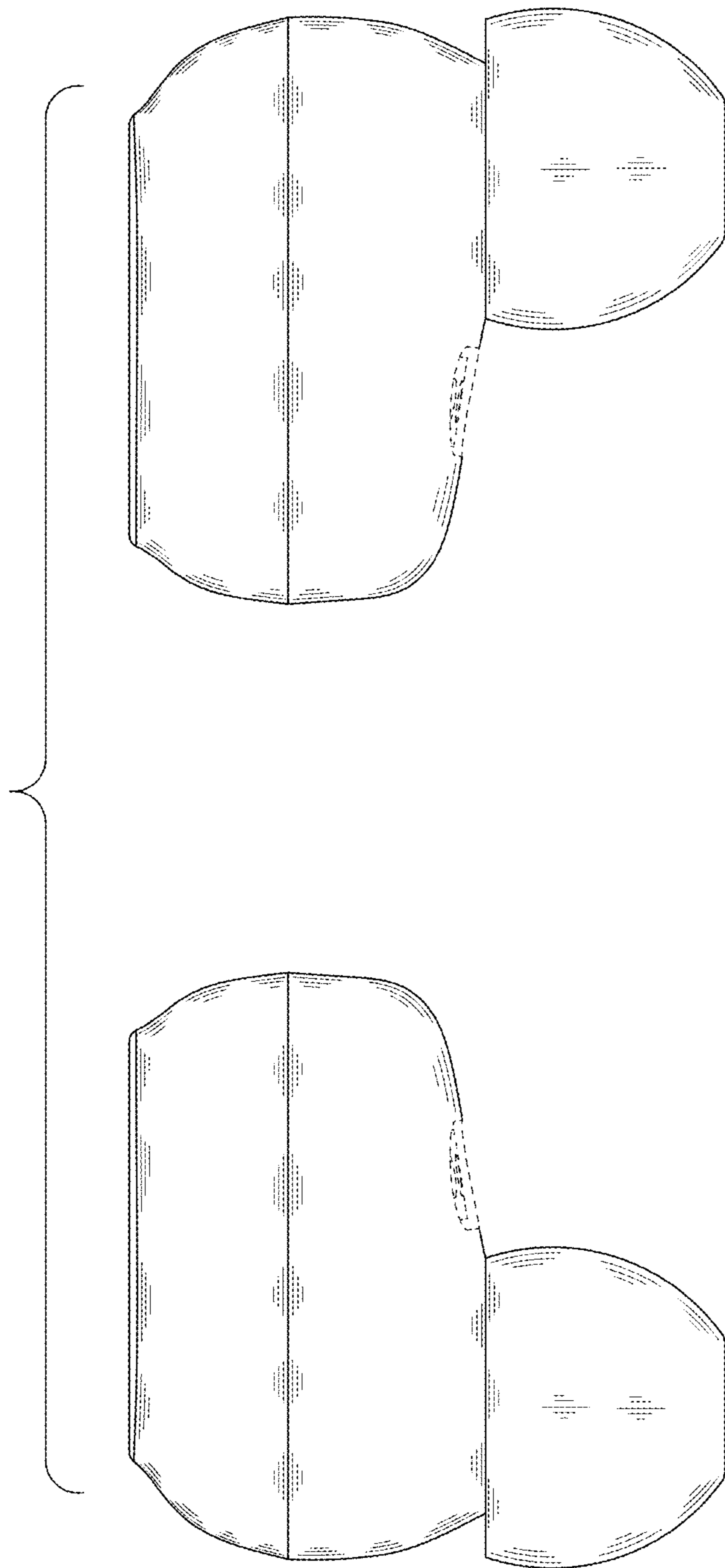


FIG. 3

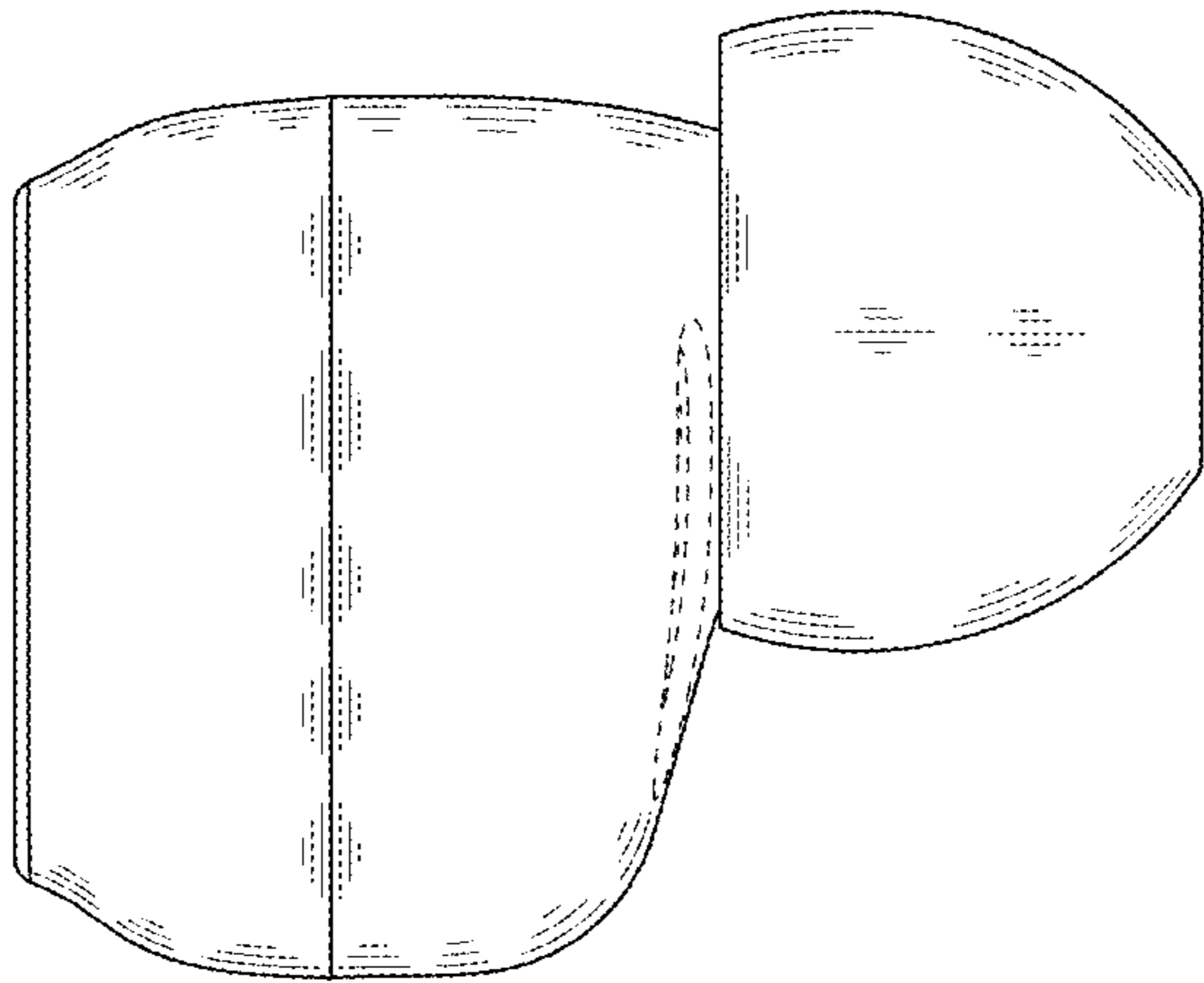


FIG. 4

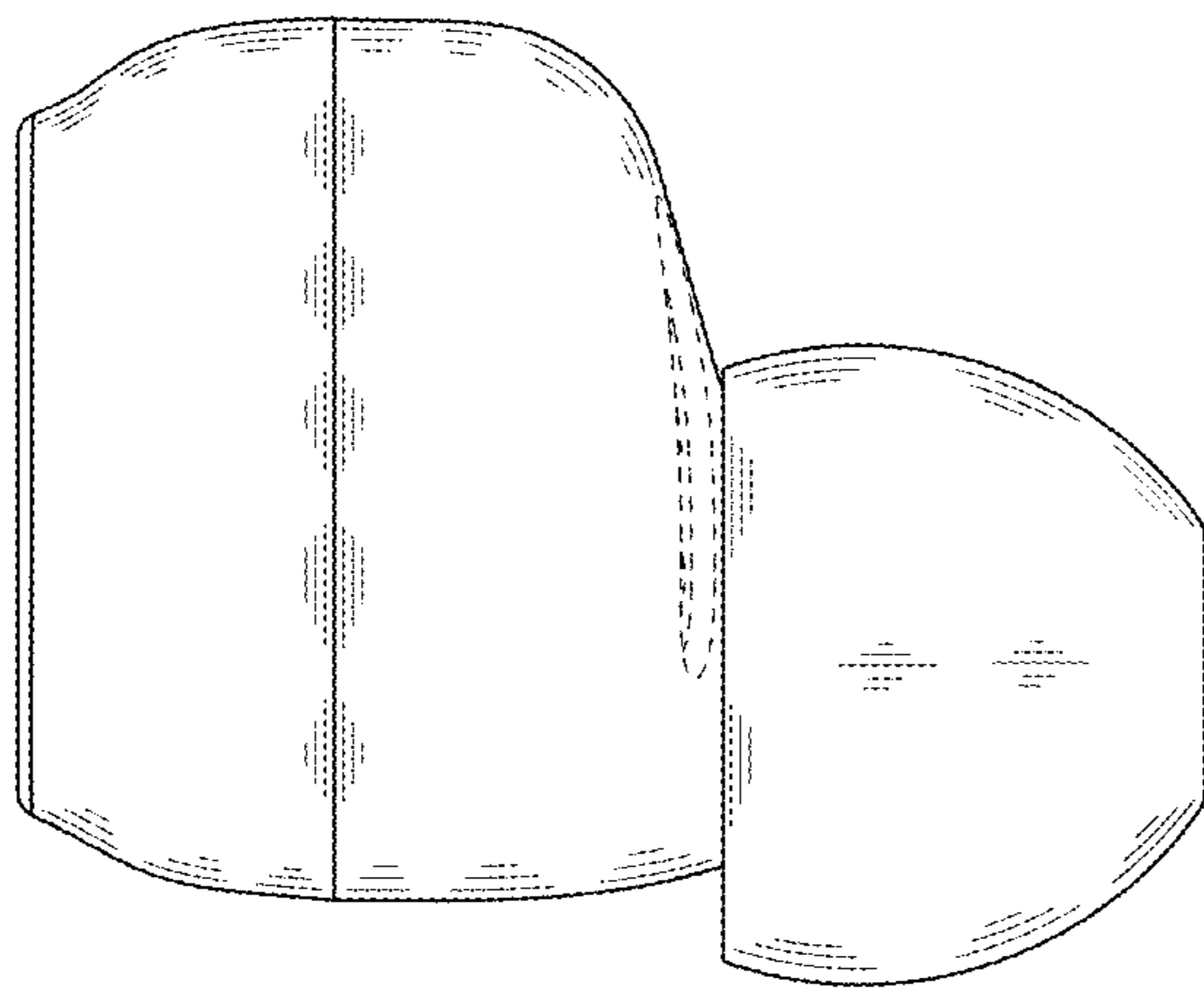


FIG. 5

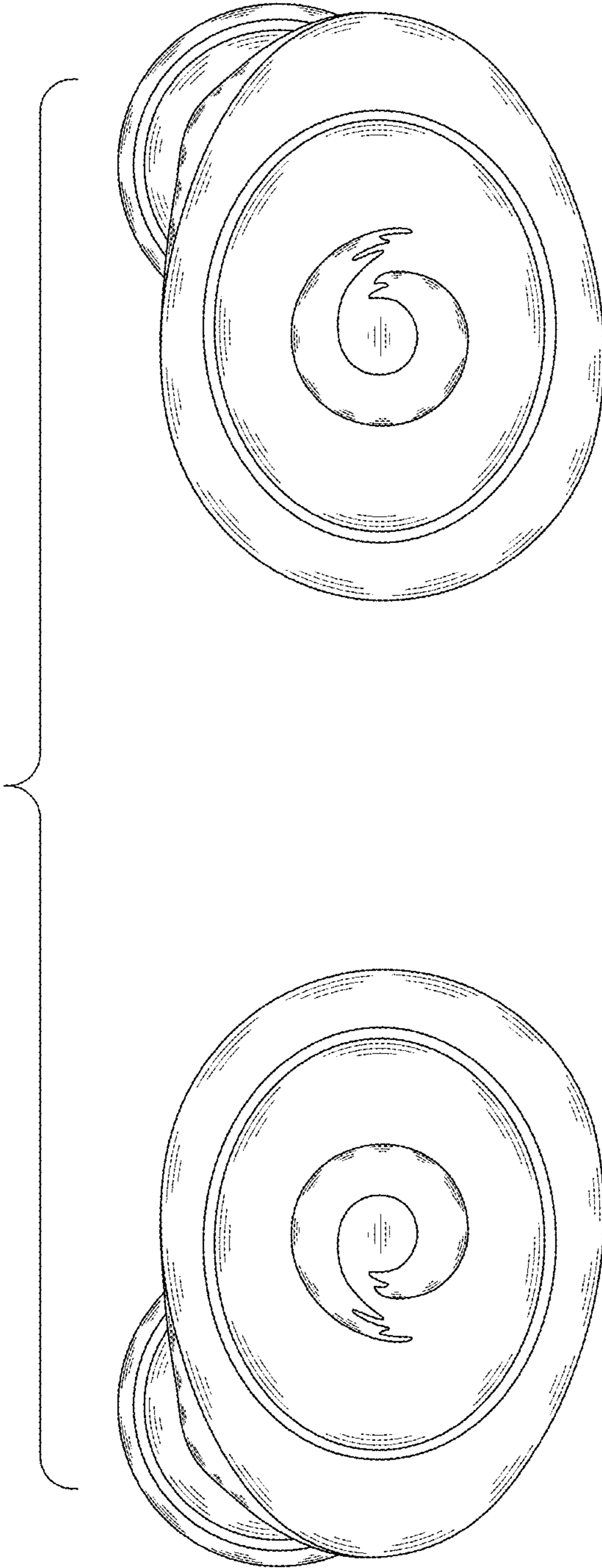


FIG. 6

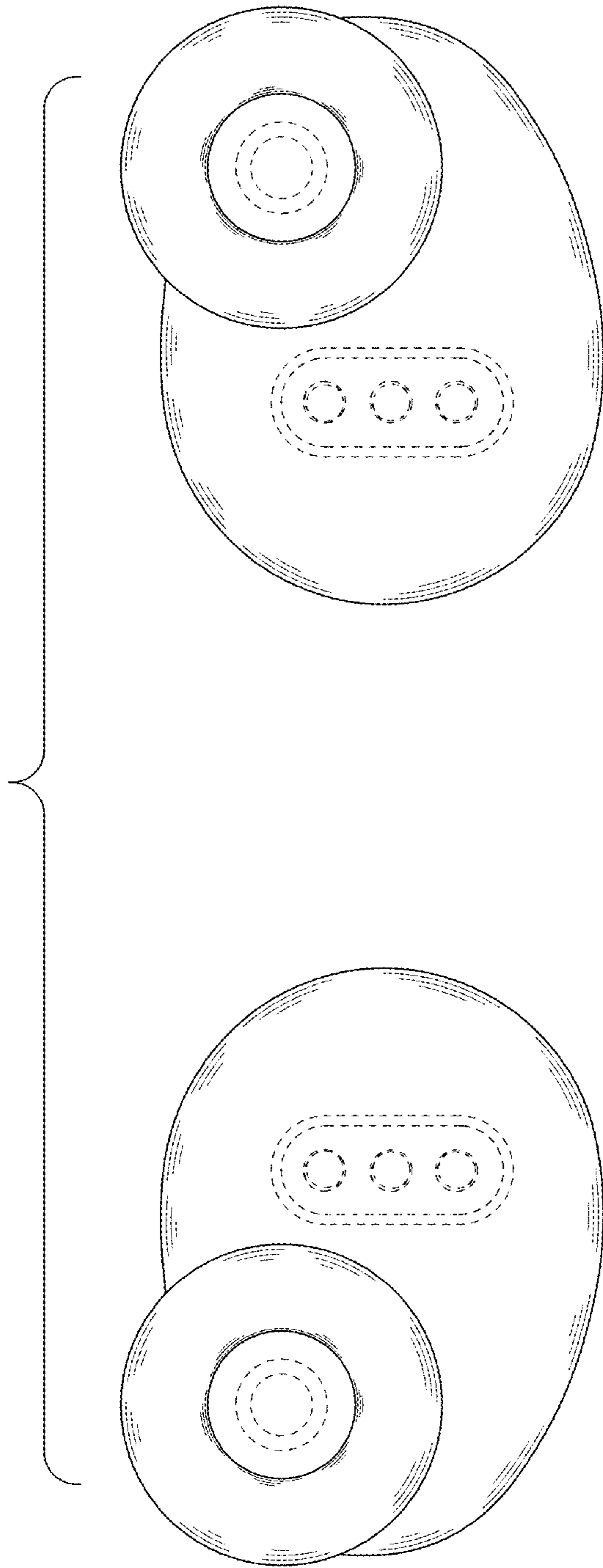


FIG. 7