



US00D906291S

(12) **United States Design Patent** (10) **Patent No.:** **US D906,291 S**
Park et al. (45) **Date of Patent:** **** *Dec. 29, 2020**

(54) **INDOOR WALL INCORPORATED WITH BUILT-IN HOME APPLIANCES**

Primary Examiner — Khawaja Anwar
(74) *Attorney, Agent, or Firm* — Birch, Stewart, Kolasch & Birch, LLP

(71) Applicant: **LG Electronics Inc.**, Seoul (KR)

(72) Inventors: **Woosuk Park**, Seoul (KR); **Bumsang Lee**, Seoul (KR); **Junghan Ryu**, Seoul (KR); **Chulmin Lim**, Seoul (KR)

(57) **CLAIM**

The ornamental design for an indoor wall incorporated with built-in home appliances, as shown and described.

(73) Assignee: **LG Electronics Inc.**, Seoul (KR)

(*) Notice: This patent is subject to a terminal disclaimer.

DESCRIPTION

(**) Term: **15 Years**

1. Indoor wall incorporated with built-in home appliances
- 1.1 : Perspective
- 1.2 : Front
- 1.3 : Back
- 1.4 : Left
- 1.5 : Top
- 1.6 : Bottom
- 1.7 : Exploded
- 1.8 : Perspective view 2
- 1.9 : Front view 2
- 1.10 : Back view 2
- 1.11 : Left view 2
- 1.12 : Top view 2
- 1.13 : Bottom view 2
- 1.14 : Reference view

(21) Appl. No.: **35/507,309**

(22) Filed: **Feb. 22, 2019**

(80) **Hague Agreement Data**

Int. Filing Date: **Feb. 22, 2019**
Int. Reg. No.: **DM/201325**
Int. Reg. Date: **Feb. 22, 2019**
Int. Reg. Pub. Date: **Aug. 23, 2019**

The broken lines depict portions of an indoor wall incorporated with built-in home appliances that form no part of the claimed design; reproductions 1.1 to 1.7 are front perspective, front, back, left, top and bottom views of the indoor wall incorporated with built-in home appliances, where the right view is a mirror image of the left view; reproduction 1.7 is an exploded view showing the state where the cover has been detached from the front; reproductions 1.8 to 1.13 are front perspective, front, back, left, top, bottom views in condition that the beam projector has been protruded at the center of the upper part, where the right view is a mirror image of the left view; reproduction 1.14 is a reference view showing an example of a state in which a screen is projected at a central portion of the front from the beam projector at the center of the upper part, and forms no part of the claimed design; this design is for an indoor wall incorporated with built-in home appliances in which various modularized built-in home appliances (such as a beam projector, hub for

(30) **Foreign Application Priority Data**

Aug. 22, 2018 (KR) 30-2018-0039120

(51) **LOC (12) Cl.** **14-03**

(52) **U.S. Cl.**
USPC **D14/217**

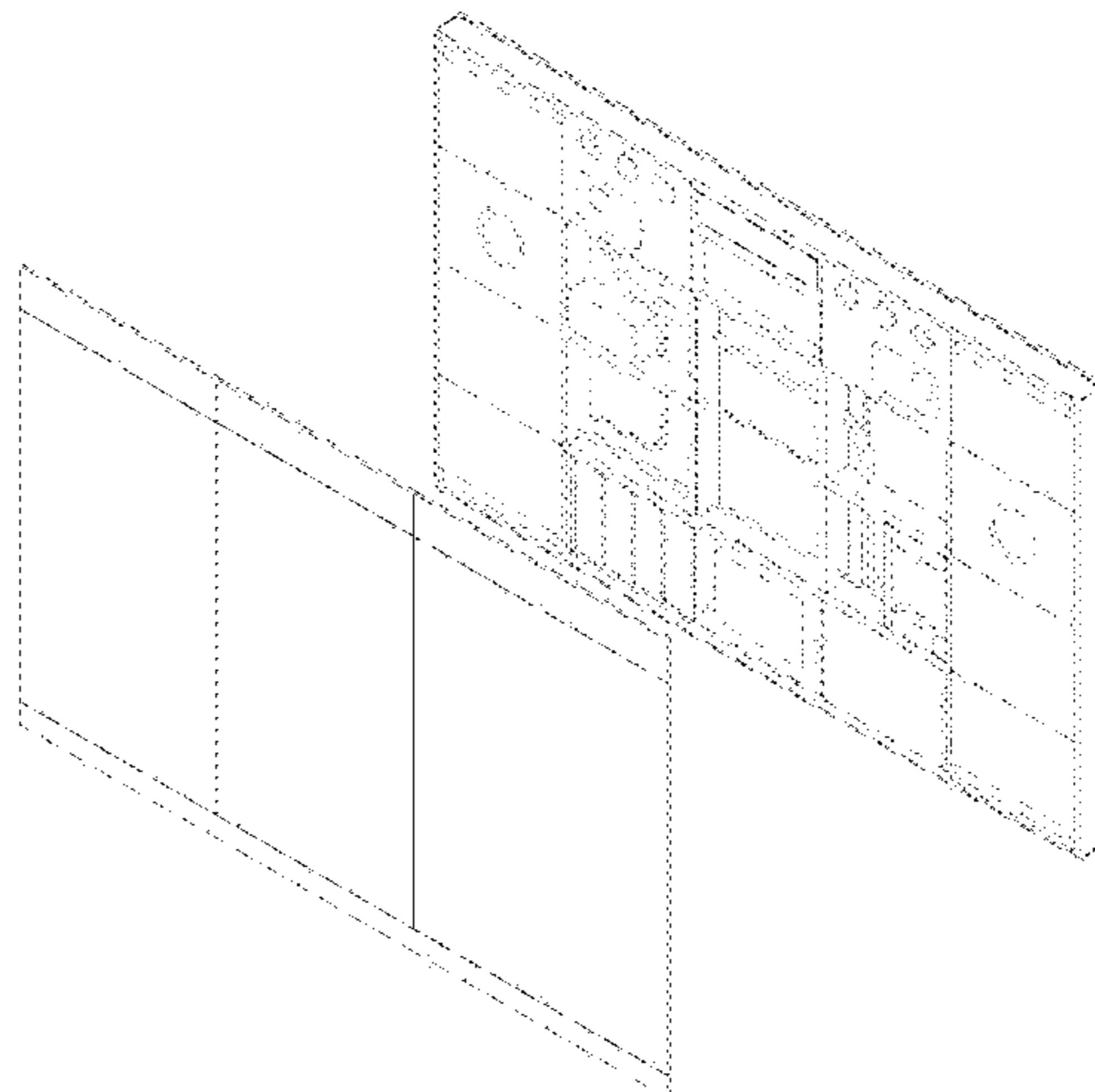
(58) **Field of Classification Search**
USPC D13/162, 164, 171, 177, 199; D14/336, D14/371, 374, 389, 432-434, 217; D23/351-354, 385, 355, 357, 361
(Continued)

(56) **References Cited**

U.S. PATENT DOCUMENTS

D549,311 S * 8/2007 Yoo D23/351
D551,744 S * 9/2007 Yoo D23/351
(Continued)

(Continued)



home network, hub for IoT, speaker, air purifier, etc.) have been installed, as shown in reproduction 1.7.

1 Claim, 14 Drawing Sheets

(58) Field of Classification Search

CPC H05B 47/105; H05B 45/10; H05B 45/20; H05B 47/19; H05B 1/0236; H05B 1/0275; H05B 2203/026; H05B 45/00; H05B 47/11; H05B 47/155; H05B 47/16; H05B 47/175; H05B 6/6447; H05B 6/6473; H05B 6/782; H01H 2239/036; H01H 45/04; H01H 45/12; H01H 50/12; H01H 9/52; H02G 13/40; H02G 3/16

See application file for complete search history.

(56) References Cited

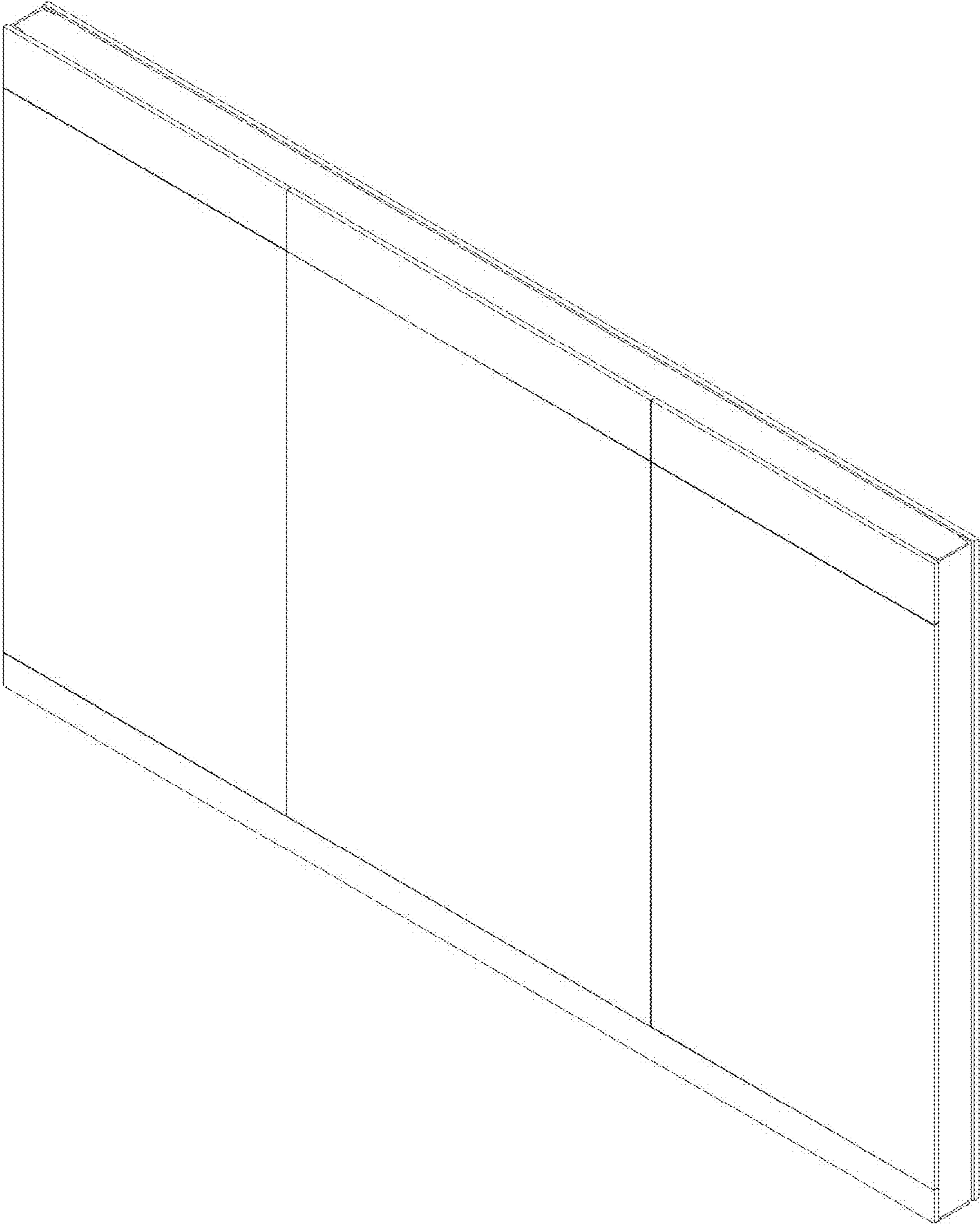
U.S. PATENT DOCUMENTS

D552,042 S * 10/2007 Mayo D13/164

D558,864 S *	1/2008	Yoo	D23/351
D558,865 S *	1/2008	Yoo	D23/351
D636,474 S *	4/2011	Choi	D23/351
D650,784 S *	12/2011	Feldstein	D14/434
D690,661 S *	10/2013	Wisniewski	D13/162
D691,251 S *	10/2013	Couture	D23/342
D818,800 S *	5/2018	Poulheim	D8/353
D825,492 S *	8/2018	Mosolygo	D13/164
D831,582 S *	10/2018	Poulheim	D13/162
D831,583 S *	10/2018	Poulheim	D13/162
D832,225 S *	10/2018	Poulheim	D13/162
D832,226 S *	10/2018	Poulheim	D13/162
D833,987 S *	11/2018	Poulheim	D13/164
D834,535 S *	11/2018	Poulheim	D13/162
D834,536 S *	11/2018	Poulheim	D13/162
D834,537 S *	11/2018	Poulheim	D13/162
D834,538 S *	11/2018	Poulheim	D13/162
D834,539 S *	11/2018	Poulheim	D13/164
D834,540 S *	11/2018	Poulheim	D13/164
D835,051 S *	12/2018	Poulheim	D13/162

* cited by examiner

1.1

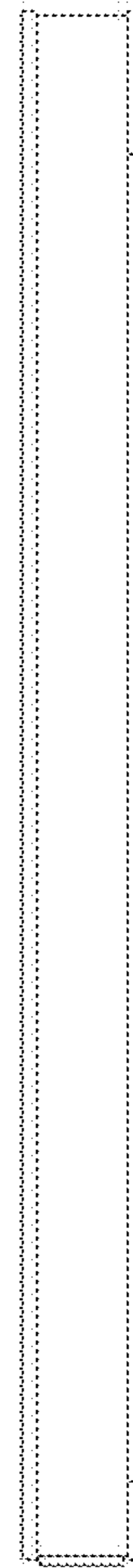


1.2

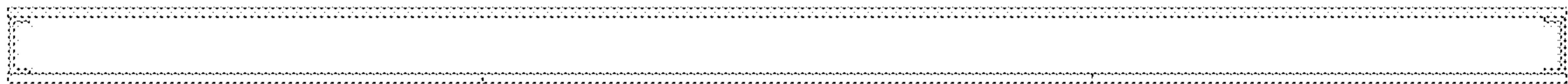
1.3



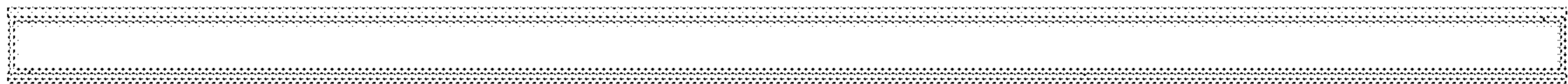
1.4



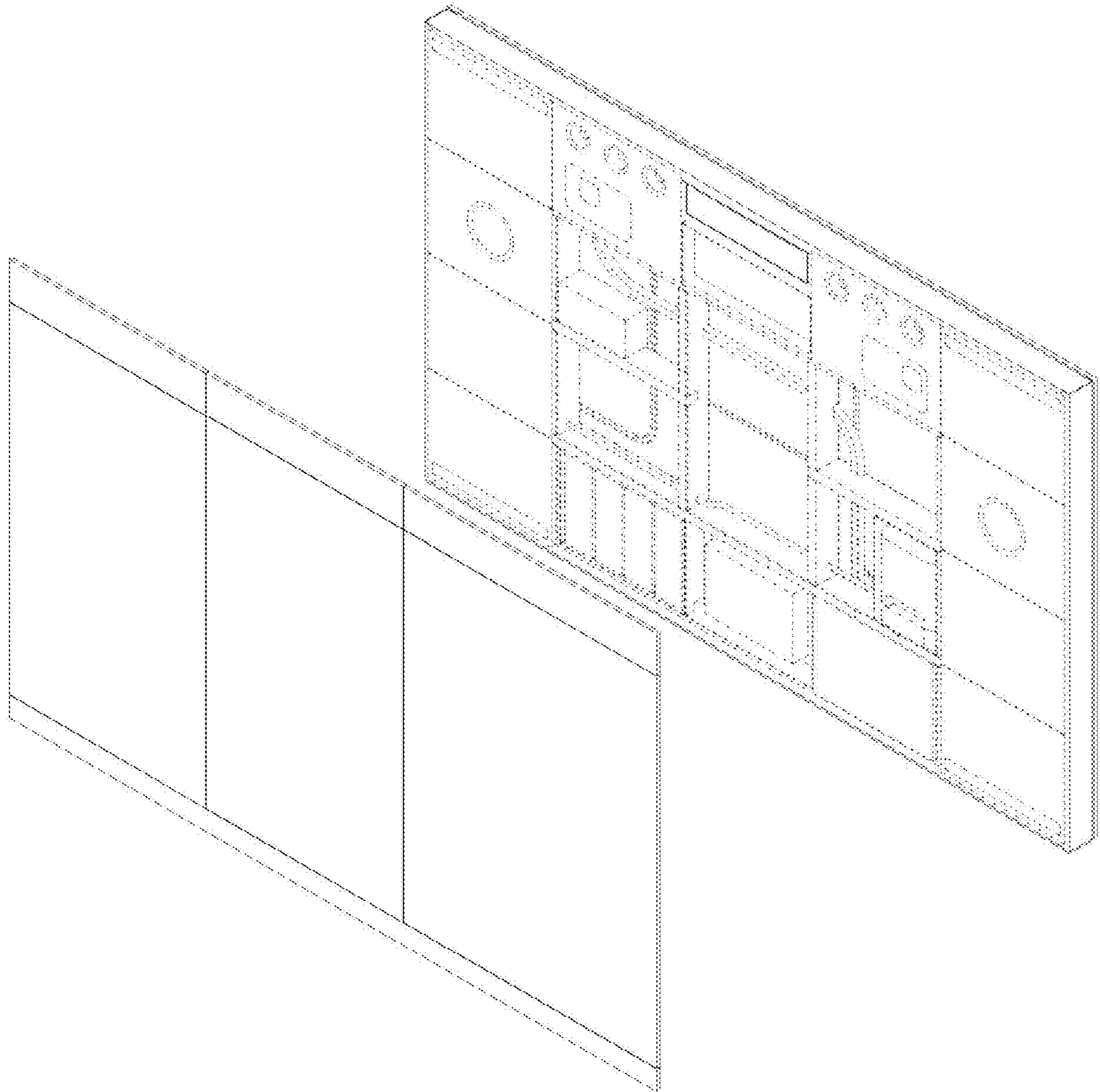
1.5



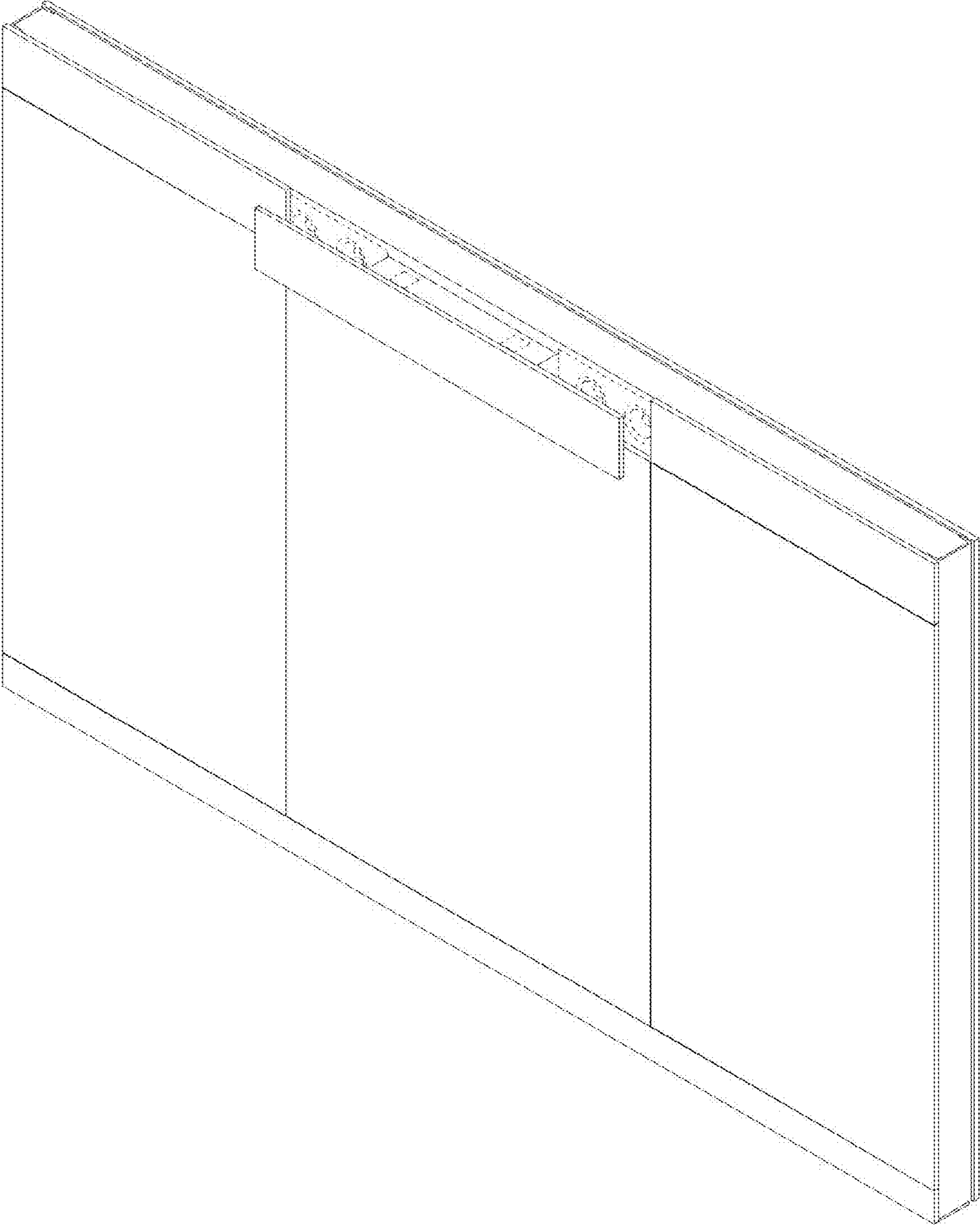
1.6



1.7



1.8

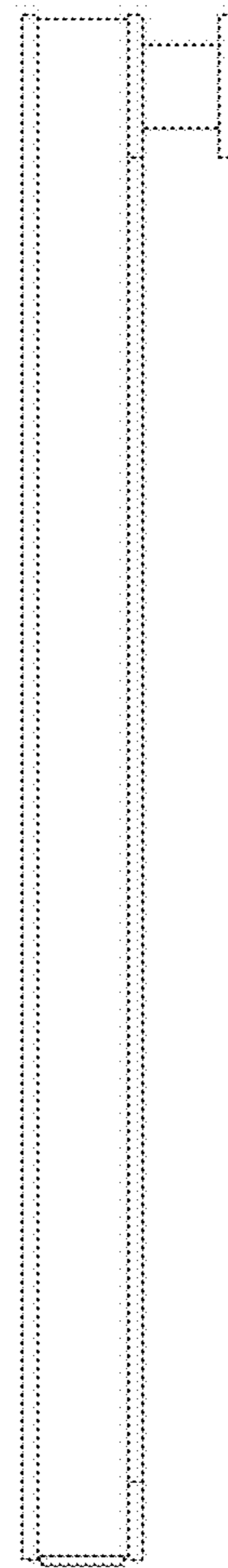


1.9

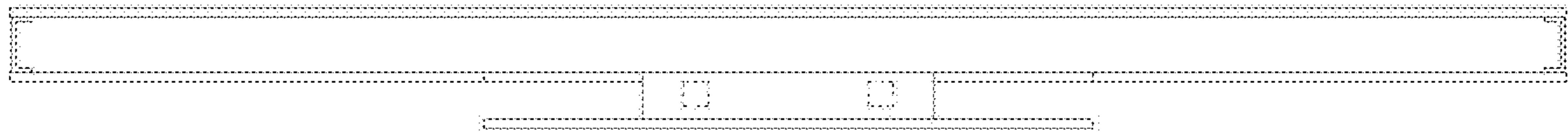
1.10



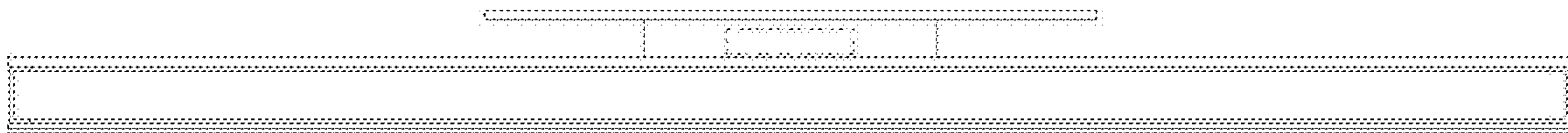
1.11



1.12



1.13



1.14

