



US00D906290S

(12) **United States Design Patent**
Kang et al.

(10) **Patent No.:** **US D906,290 S**

(45) **Date of Patent:** **** Dec. 29, 2020**

(54) **ARTIFICIAL INTELLIGENCE SPEAKER**

D162,559 S * 3/1951 Meshberg D9/774
D163,441 S * 5/1951 Chaplin D9/774
2,974,824 A * 3/1961 Mansho B65D 39/04
220/271

(71) Applicant: **SAMSUNG ELECTRONICS CO., LTD.**, Suwon-si (KR)

(Continued)

(72) Inventors: **Byungwook Kang**, Seoul (KR);
Junpyo Kim, Seoul (KR); **Sungil Bang**, Seoul (KR); **Sangmin Hyun**, Seoul (KR)

FOREIGN PATENT DOCUMENTS

CA 176501 * 3/2019
CN 304504816 S 2/2018

(Continued)

(73) Assignee: **SAMSUNG ELECTRONICS CO., LTD.**, Gyeonggi-Do (KR)

Primary Examiner — Paula Allen Greene

(74) *Attorney, Agent, or Firm* — Cantor Colburn LLP

(**) Term: **15 Years**

(21) Appl. No.: **29/684,361**

(57) **CLAIM**

The ornamental design for an artificial intelligence speaker, as shown and described.

(22) Filed: **Mar. 20, 2019**

(30) **Foreign Application Priority Data**

DESCRIPTION

Oct. 10, 2018 (KR) 30-2018-0046471

(51) **LOC (12) Cl.** **14-01**

(52) **U.S. Cl.**
USPC **D14/216**

(58) **Field of Classification Search**
USPC ... D14/216, 215, 314, 496, 358, 172, 203.1,
D14/203.6, 204; D13/110; D23/365;
D9/556, 557; 345/581, 597
CPC . H04R 1/02; H04R 9/06; H04R 11/02; H04R
5/02; G06F 3/041
See application file for complete search history.

FIG. 1 is a front perspective view of an artificial intelligence speaker, showing our new design;
FIG. 2 is a front view thereof;
FIG. 3 is a rear view thereof;
FIG. 4 is a left-side view thereof;
FIG. 5 is a right-side view thereof;
FIG. 6 is a top view thereof;
FIG. 7 is a bottom view thereof;
FIG. 8 is a bottom perspective view thereof;
FIG. 9 is an enlarged view of the encircled portion 9 in FIG. 6;
FIG. 10 is an enlarged view of the encircled portion 10 in FIG. 7; and,
FIG. 11 is an enlarged view of the encircled portion 11 in FIG. 8.

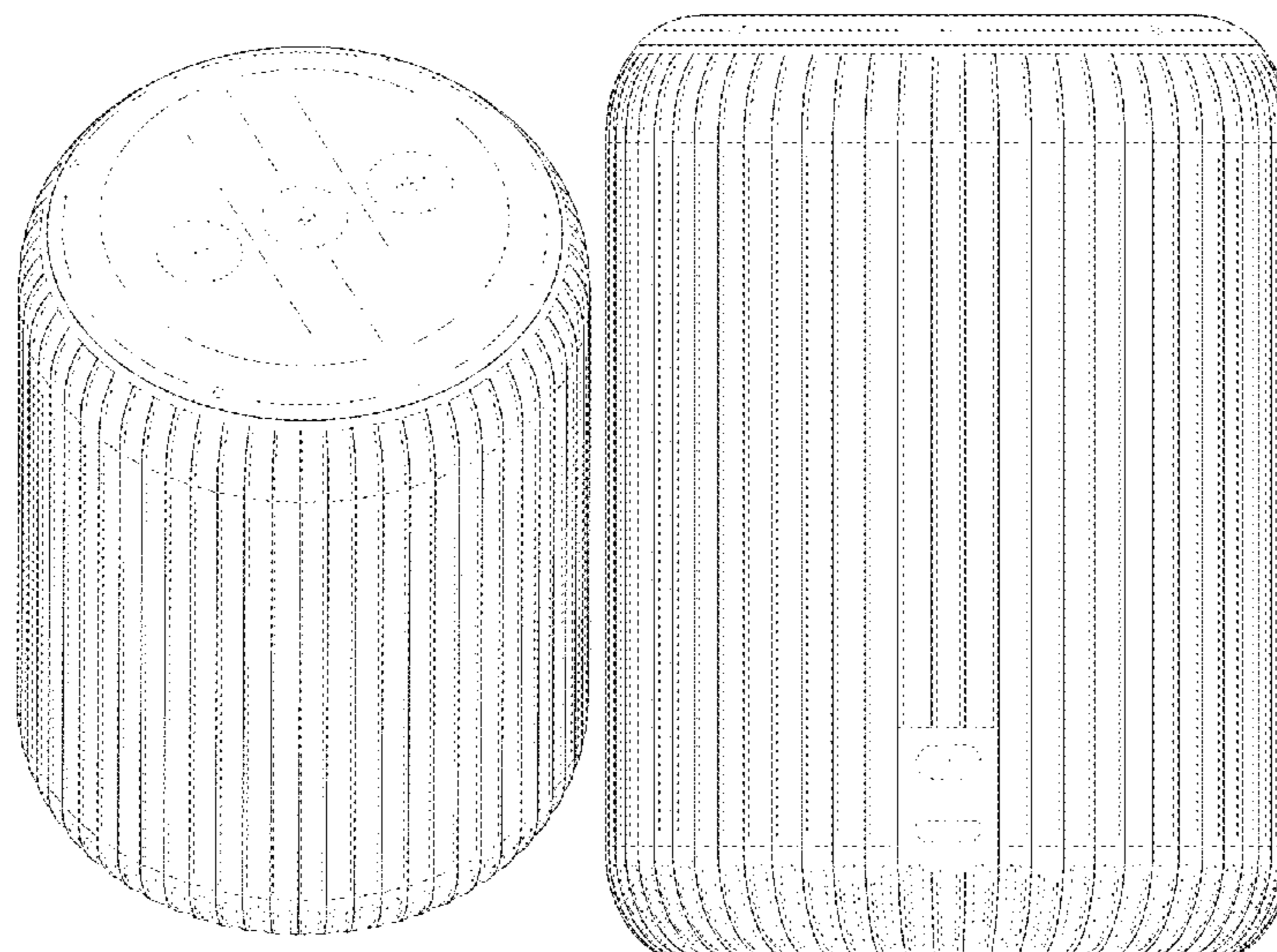
(56) **References Cited**

U.S. PATENT DOCUMENTS

1,454,802 A * 5/1923 Wells B65D 7/04
220/671
1,562,496 A * 11/1925 Davis, Jr. B65D 7/38
220/616
2,005,641 A * 6/1935 Stanitz D06F 39/12
220/671
D102,532 S * 12/1936 Vuilleminot D28/91.1

The even-dash broken lines illustrating portions of the artificial intelligence speaker form no part of the claimed design. The dot-dash broken lines encircling enlargement portions of the artificial intelligence speaker form no part of the claimed design.

1 Claim, 11 Drawing Sheets



(56)

References Cited

U.S. PATENT DOCUMENTS

3,156,383 A * 11/1964 Melli B65D 51/222
222/83
3,317,110 A * 5/1967 Palmer B29C 66/63
229/5.5
3,402,871 A * 9/1968 Palmer B65D 7/46
220/671
D276,891 S * 12/1984 Fortuna D9/453
4,741,176 A * 5/1988 Johnson B65D 75/42
62/457.4
D304,095 S * 10/1989 Gavin D28/7
D335,683 S * 5/1993 Smith 347/88
D345,217 S * 3/1994 Pearlson D25/16
D346,155 S * 4/1994 More D13/184
5,319,164 A * 6/1994 Shen H04R 1/025
181/150
D368,035 S * 3/1996 Ahern, Jr. D9/556
D384,770 S * 10/1997 Bray D26/123
D391,943 S * 3/1998 Han D14/356
D391,944 S * 3/1998 Han D14/356
5,742,478 A * 4/1998 Wu H05K 7/20154
361/704
D409,585 S * 5/1999 Fenner D14/309
D424,754 S * 5/2000 Lang D28/89
D456,807 S * 5/2002 Floyd D14/356
D464,347 S * 10/2002 Floyd D14/356
D471,189 S * 3/2003 Bradley D14/308
D491,937 S * 6/2004 Retourne D14/356
D496,038 S * 9/2004 Floyd D14/356
D507,789 S * 7/2005 Mangano D14/168
D509,825 S * 9/2005 Chen D14/300
D551,656 S * 9/2007 Ritsher D14/216
D555,524 S * 11/2007 Jacobsen D10/75
D560,656 S * 1/2008 Andre D14/214
D580,428 S * 11/2008 Giugiaro D14/307
D581,927 S * 12/2008 Sumii D14/356
D589,013 S * 3/2009 Pozin D14/127
D590,391 S * 4/2009 Sumii D14/356
D590,788 S * 4/2009 Pozin D14/127
D598,018 S * 8/2009 Sumii D14/301
D600,694 S * 9/2009 Sumii D14/356
D609,718 S * 2/2010 Chang D14/203.3
D615,556 S * 5/2010 Yeo D14/203.3
D619,119 S * 7/2010 Graber D14/216
D642,159 S * 7/2011 Joseph D14/215
D675,190 S * 1/2013 Nysten D14/215
D687,016 S * 7/2013 Brunner D14/216
D689,845 S * 9/2013 Nysten D14/215
D689,846 S * 9/2013 Nysten D14/216
D694,746 S * 12/2013 Akana D14/314
D709,861 S * 7/2014 Brunner D14/216
D713,405 S * 9/2014 Akana D14/349
D717,341 S * 11/2014 Akana D14/496
D717,342 S * 11/2014 Berk D14/496

D721,061 S * 1/2015 Burlingame D14/216
D729,213 S * 5/2015 Abayomi D14/224.1
D730,322 S * 5/2015 Brunner D14/216
D730,323 S * 5/2015 Brunner D14/216
D731,467 S * 6/2015 Brunner D14/216
D734,471 S * 7/2015 Pollanen D24/172
D734,740 S * 7/2015 Erbeus D14/214
D739,397 S * 9/2015 Akana D14/314
D746,795 S * 1/2016 Burlingame D14/218
D753,644 S * 4/2016 Hsieh D14/314
D754,653 S * 4/2016 Marciniak D14/314
D766,213 S * 9/2016 Hinokio D14/216
D771,142 S * 11/2016 Langhammer D14/203.6
D774,020 S * 12/2016 Hinokio D14/216
D784,412 S * 4/2017 Akana D14/496
D797,087 S * 9/2017 Burton D14/242
D797,703 S * 9/2017 Boyd D14/216
9,768,513 B2 * 9/2017 Lee H01Q 1/2291
D802,022 S * 11/2017 Yao D14/496
D808,382 S * 1/2018 Akana D14/314
D809,500 S * 2/2018 Akana D14/314
D812,643 S * 3/2018 Akana D14/496
9,930,444 B1 * 3/2018 Stanley H04R 5/02
D820,809 S * 6/2018 Akana D14/205
D822,716 S * 7/2018 Mangum D14/496
10,021,486 B1 * 7/2018 Brennan H04R 5/02
D829,687 S * 10/2018 Burlingame D14/214
D835,071 S * 12/2018 Channey D14/216
D835,600 S * 12/2018 Weiss D14/204
D836,606 S * 12/2018 Kangasmaa D14/216
D836,609 S * 12/2018 Yoon D14/216
D837,182 S * 1/2019 Elmieh D14/204
D839,870 S * 2/2019 Akana D14/314
D840,436 S * 2/2019 Demin D14/496
D843,418 S * 3/2019 Demin D14/496
D843,419 S * 3/2019 Vaclavik D14/496
D843,974 S * 3/2019 Yoon D14/216
D852,229 S * 6/2019 Akana D14/496
D860,257 S * 9/2019 Akana D14/496
D863,356 S * 10/2019 Akana D14/496
D865,385 S * 11/2019 Cao D6/349
D871,372 S * 12/2019 Wang D14/216
D875,077 S * 2/2020 Omata D14/216
D884,676 S * 5/2020 He D14/216
D886,080 S * 6/2020 Yang D14/216
2017/0006374 A1 * 1/2017 Song F16H 35/18
2017/0215004 A1 * 7/2017 Wengreen H04R 1/026

FOREIGN PATENT DOCUMENTS

CN 304519104 S 2/2018
CN 304541777 S 3/2018
CN 304566256 S 4/2018
KR 300946165 S 3/2018

* cited by examiner

FIG. 1

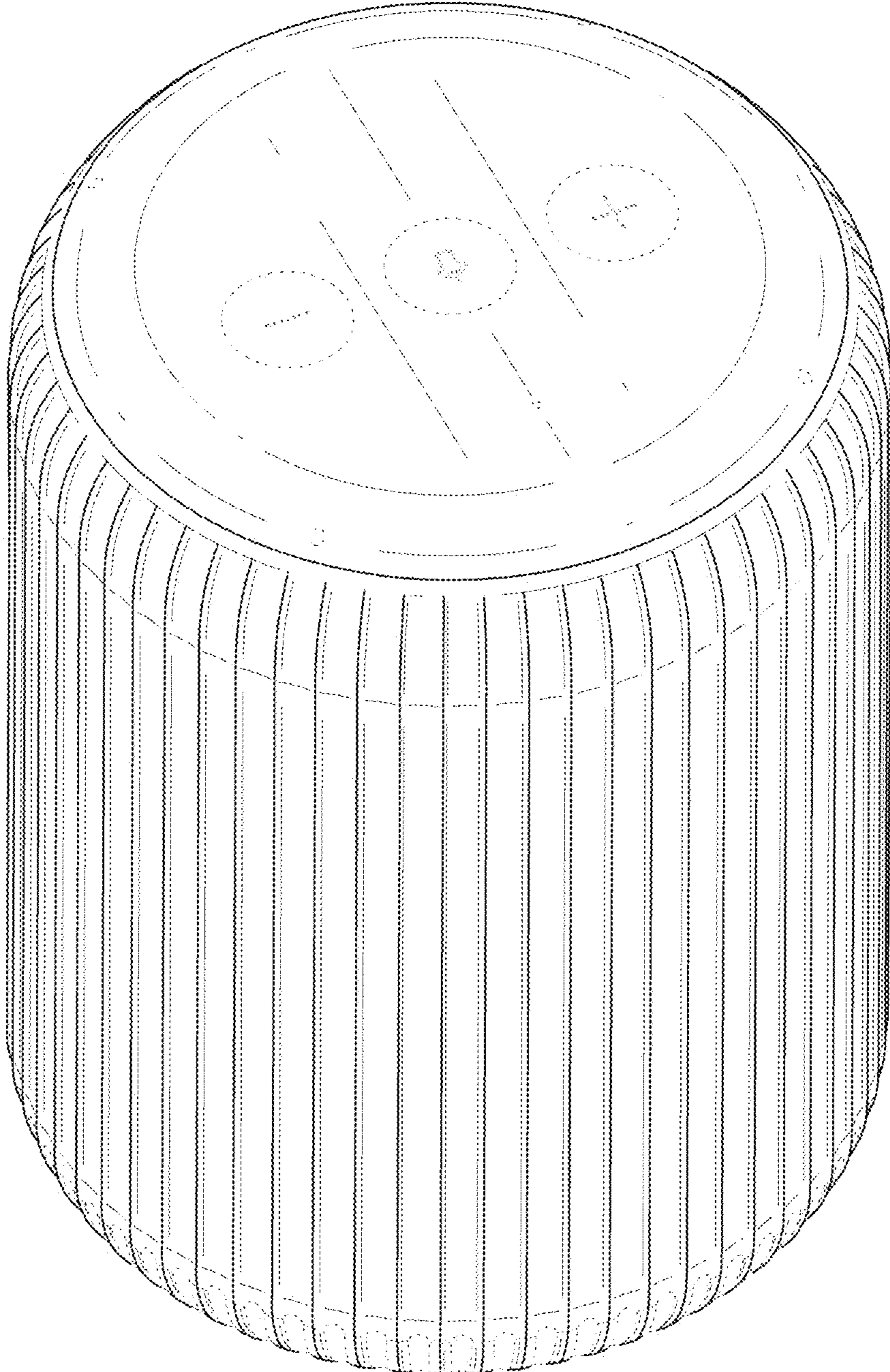


FIG. 2

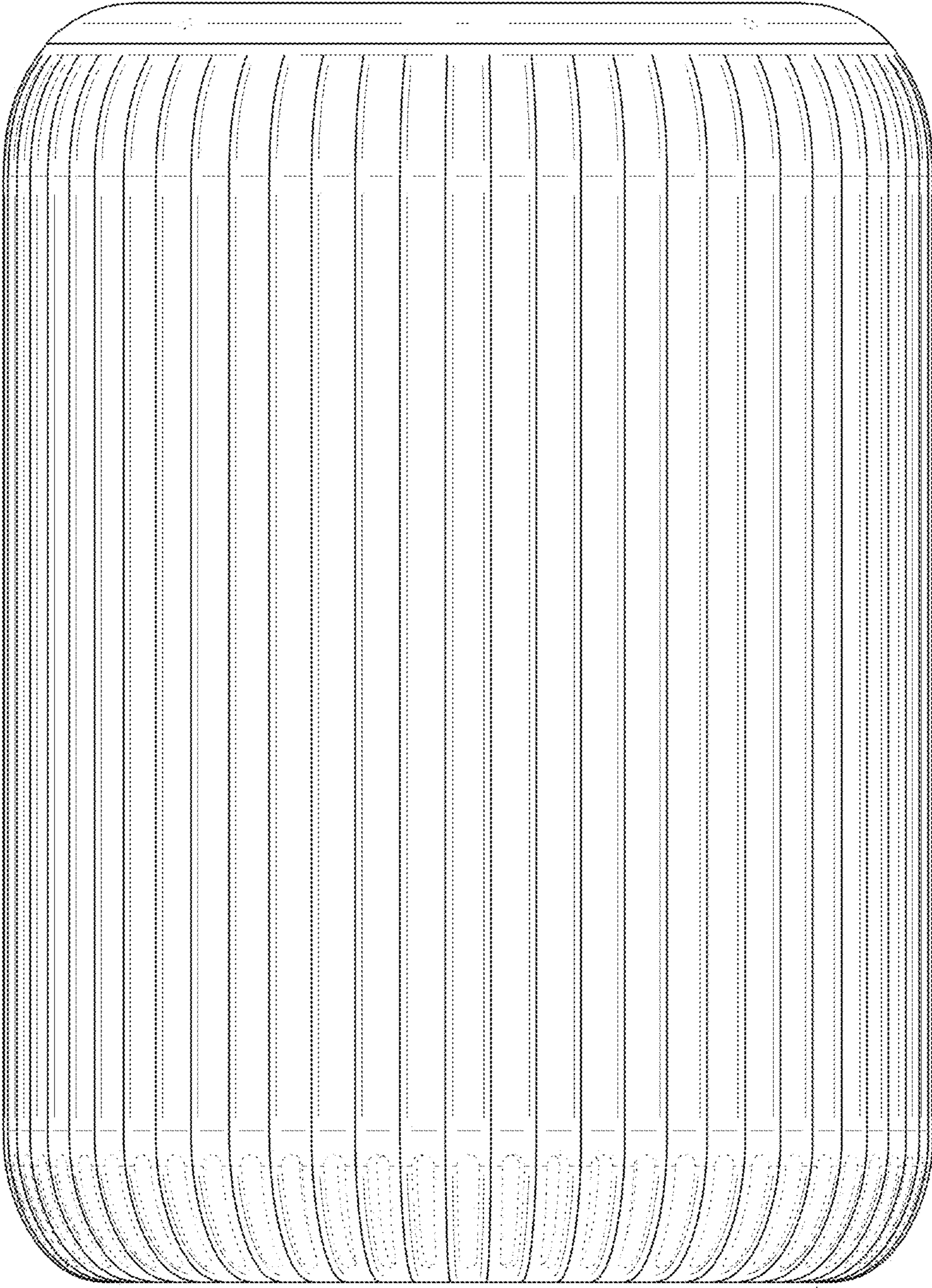


FIG. 3

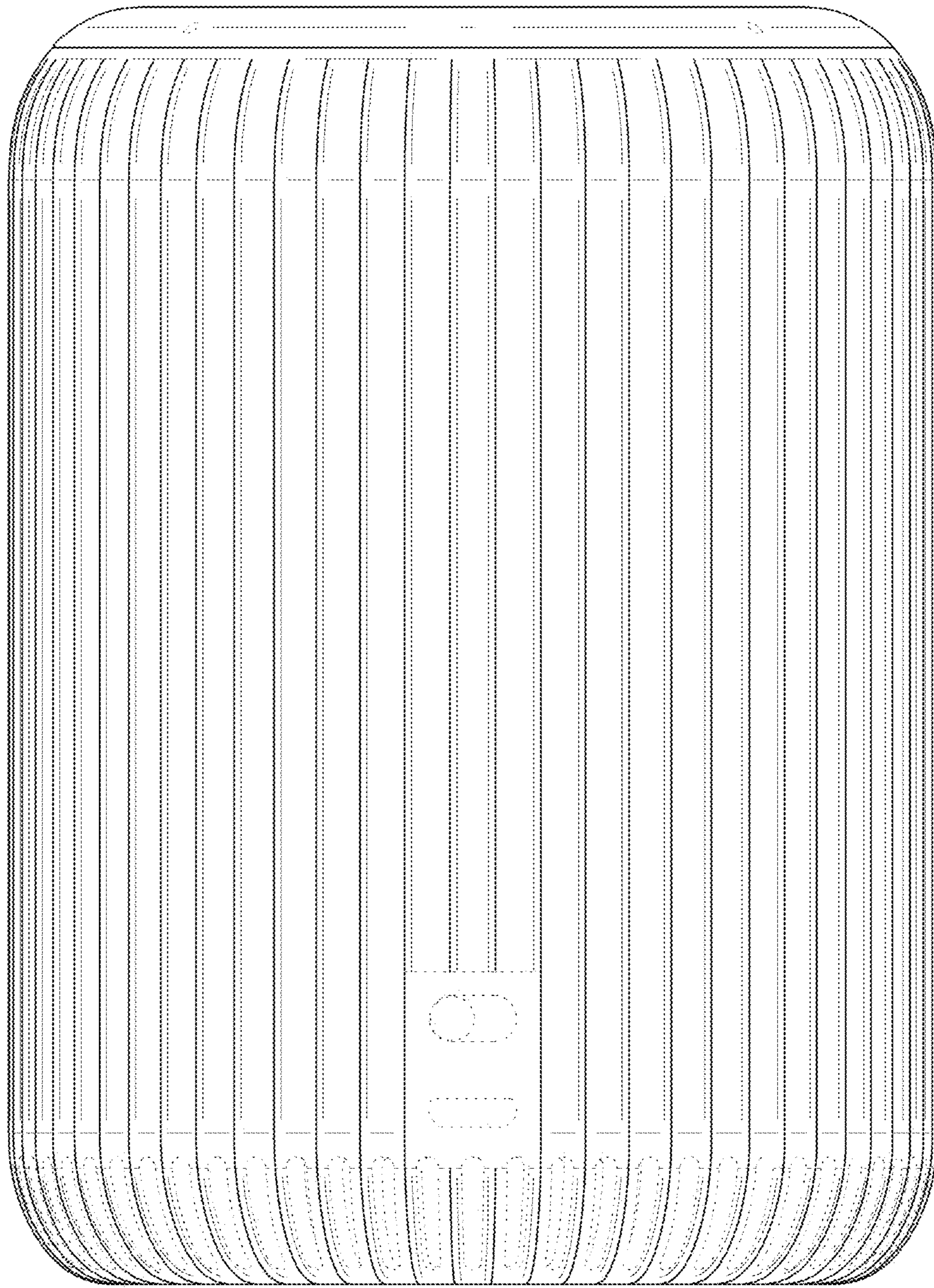


FIG. 4

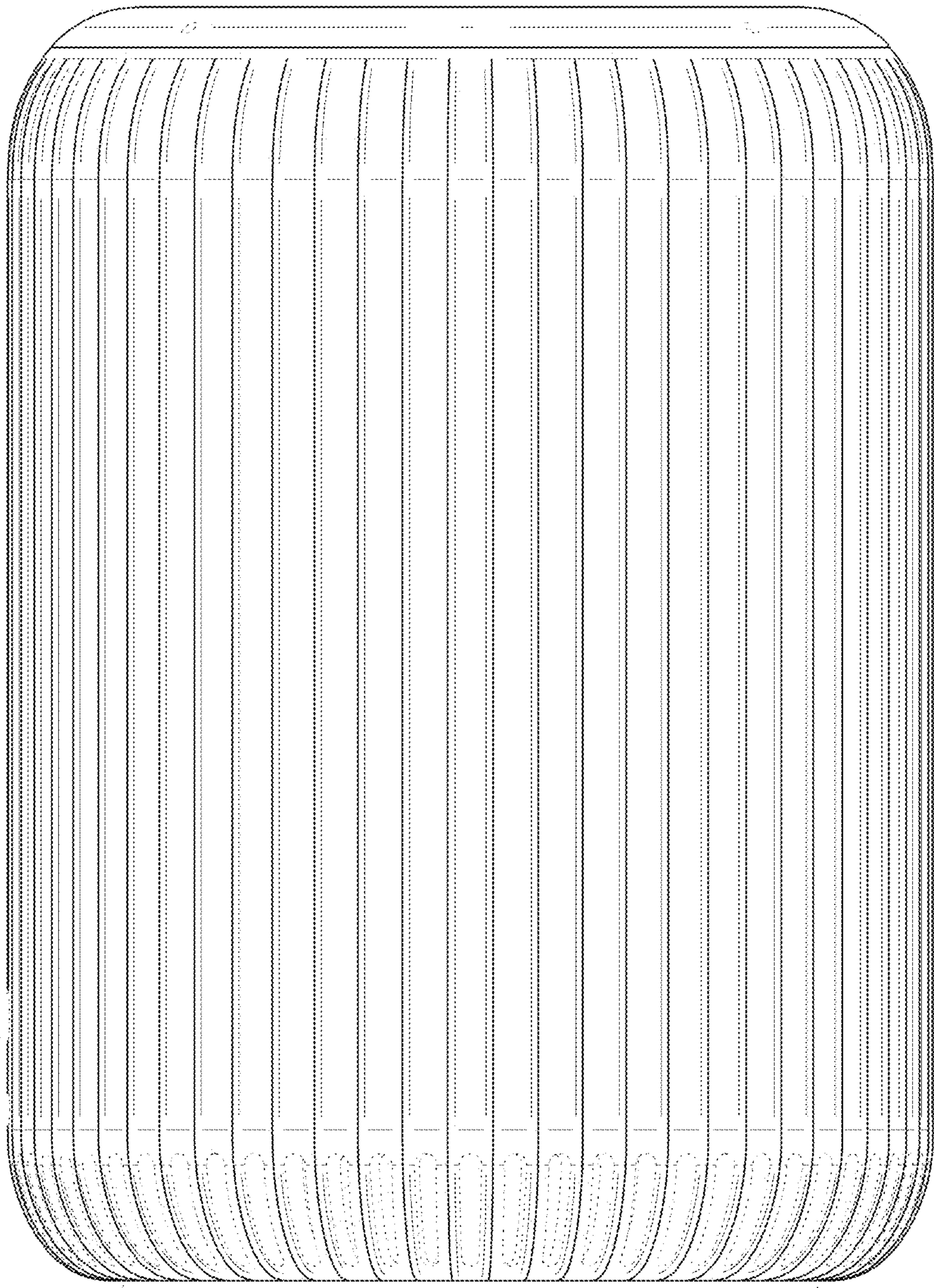


FIG. 5

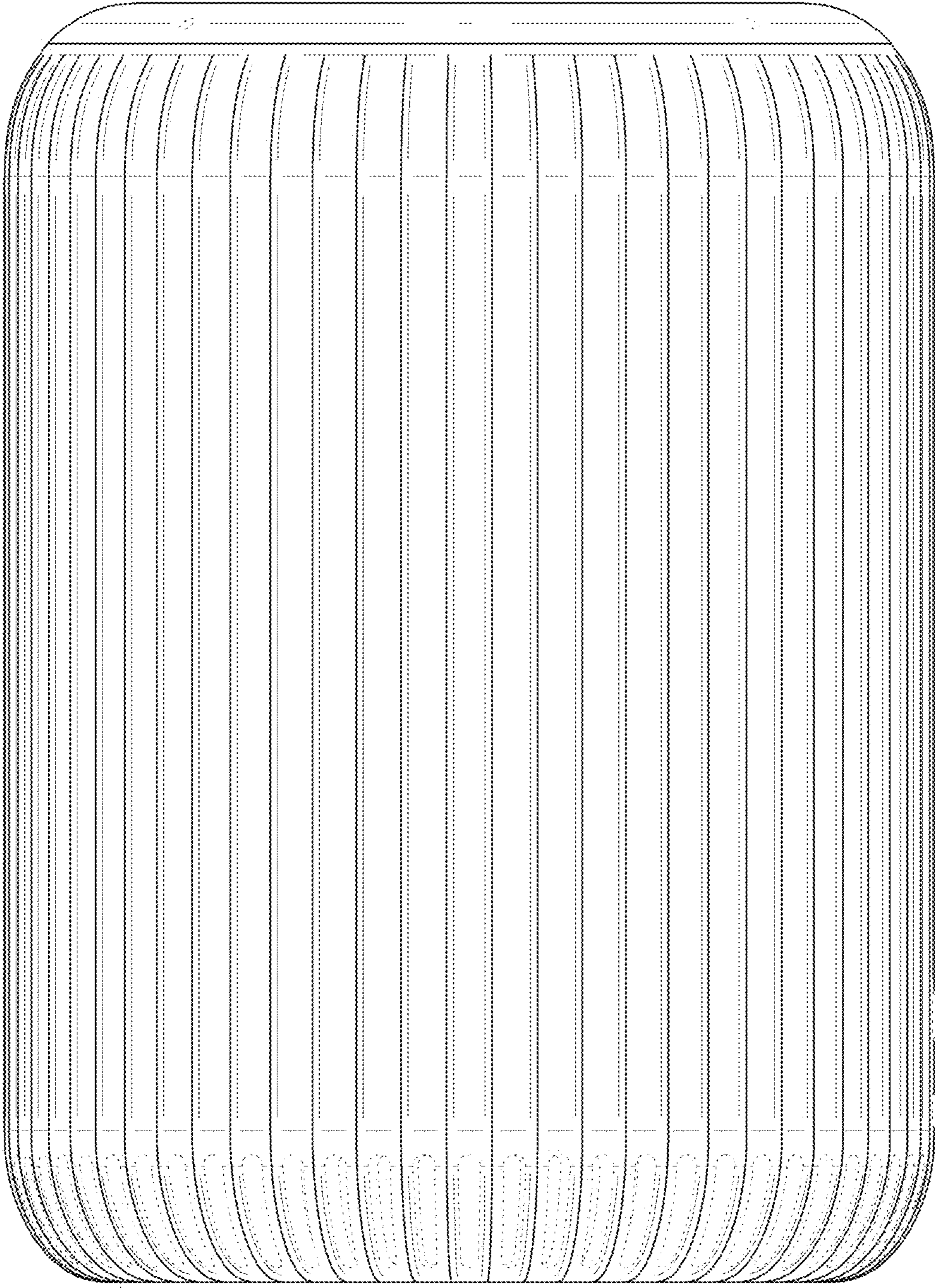


FIG. 6

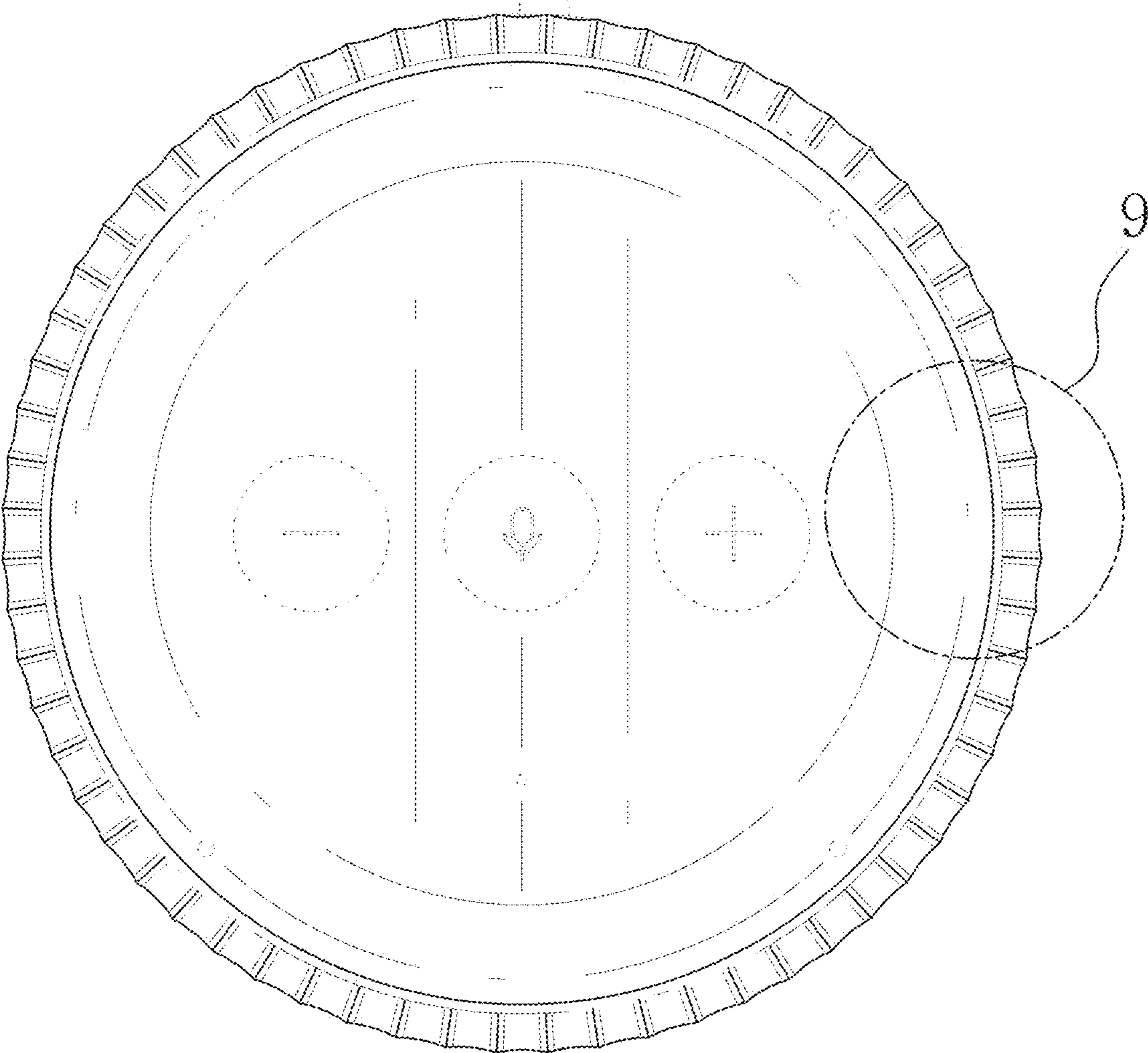


FIG. 7

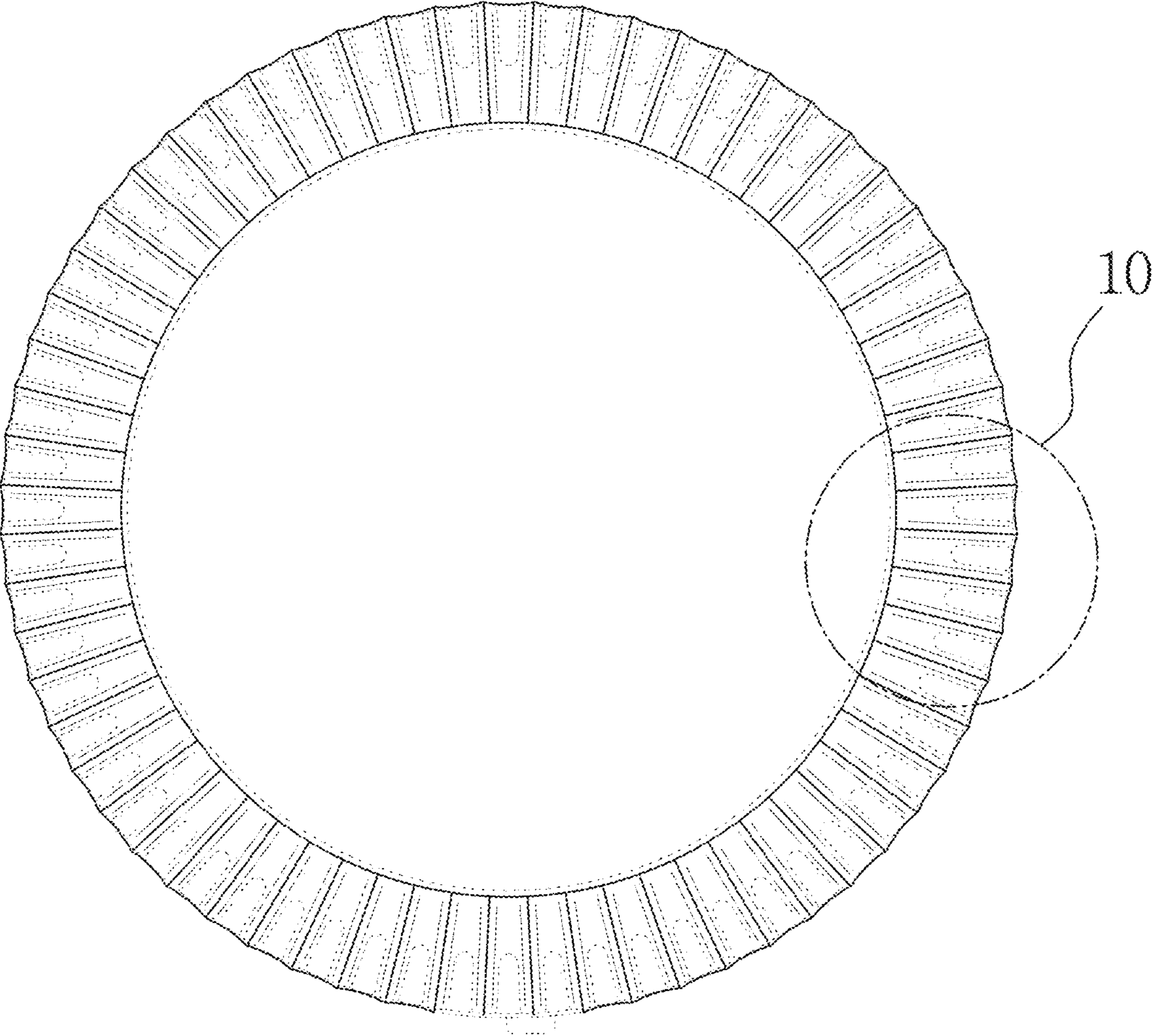


FIG. 8

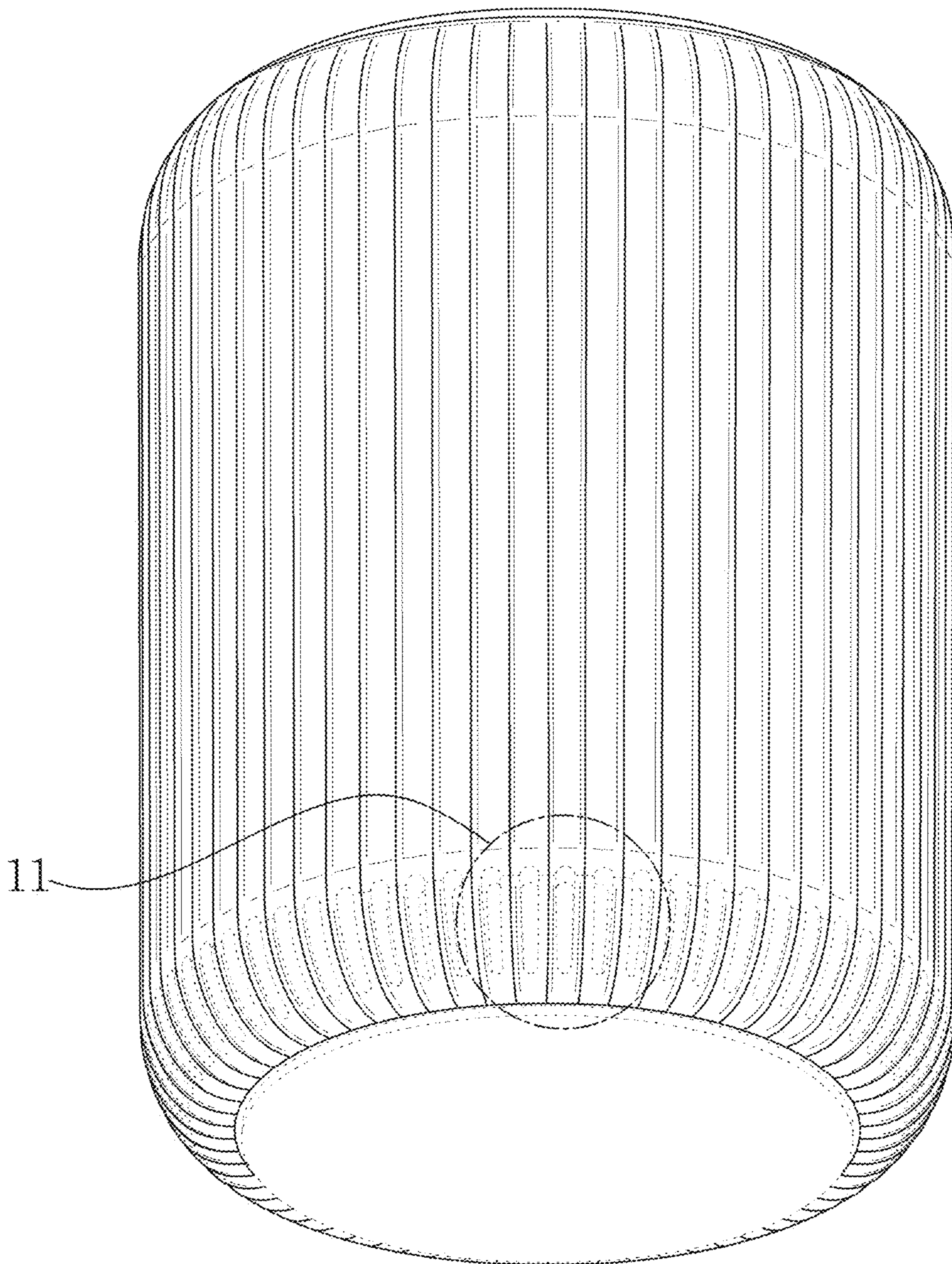


FIG. 9

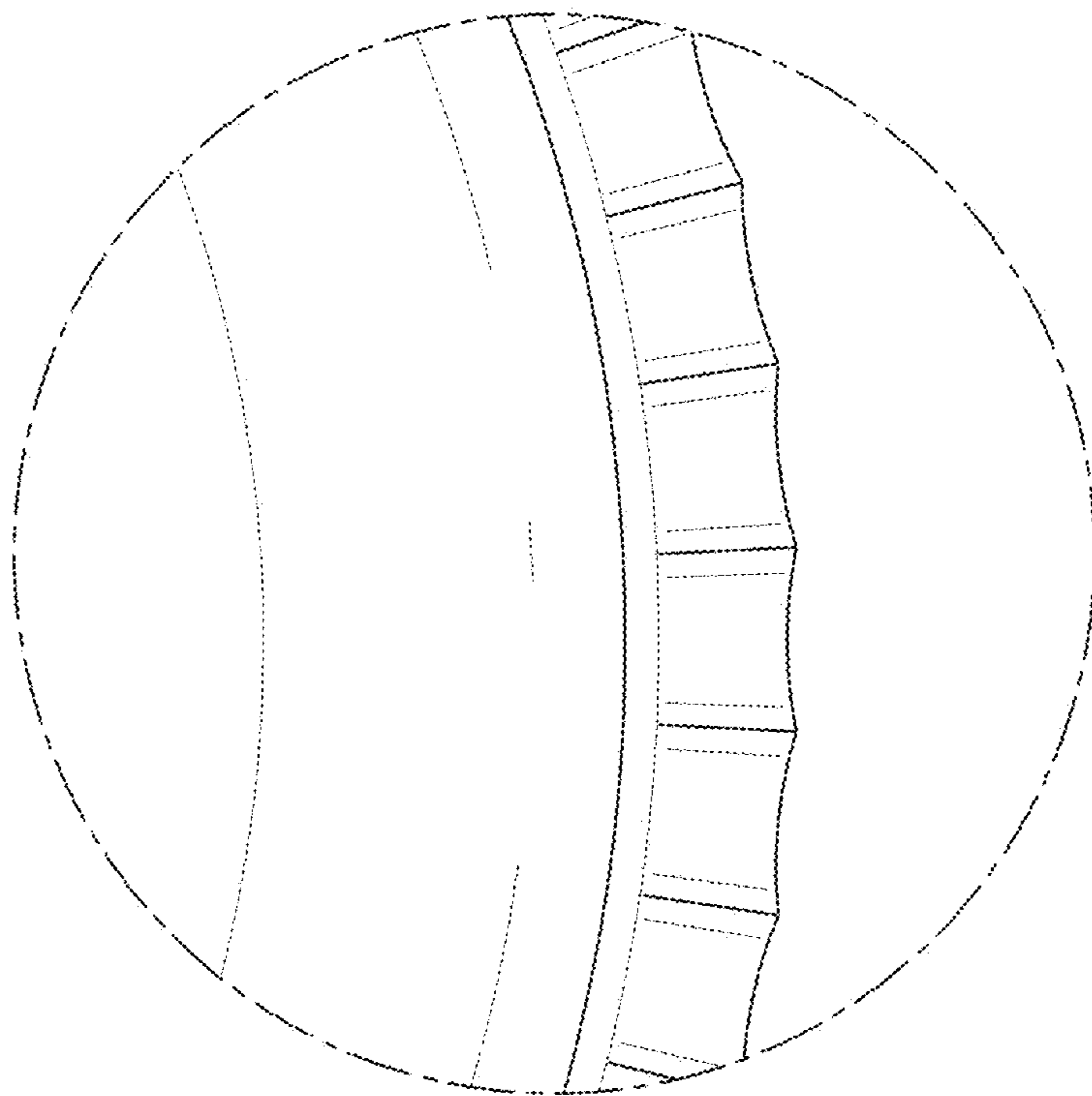


FIG. 10

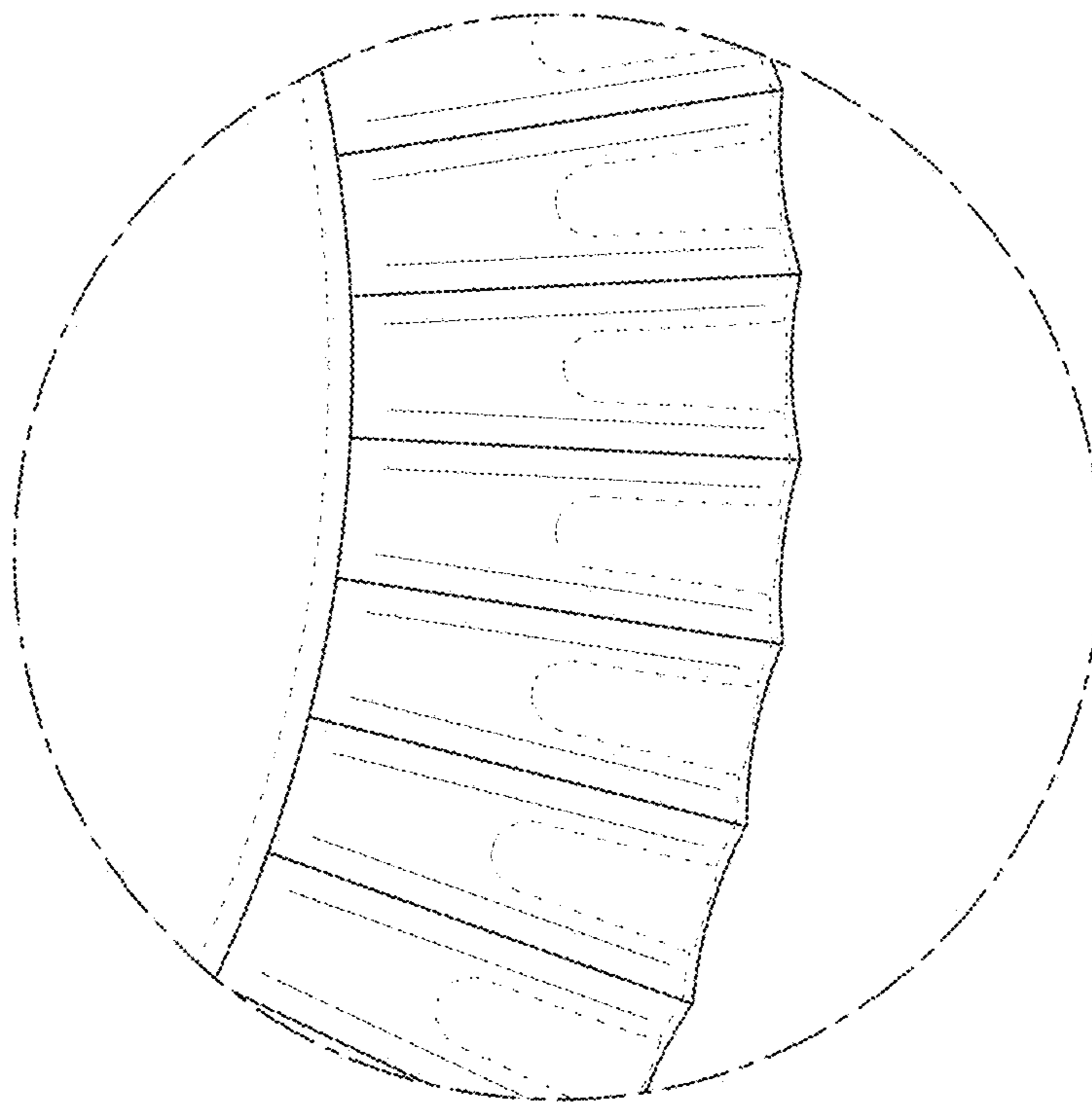


FIG. 11

