



US00D906282S

(12) **United States Design Patent**  
**Kelley et al.**

(10) **Patent No.:** **US D906,282 S**  
(45) **Date of Patent:** **\*\* Dec. 29, 2020**

- (54) **COMMUNICATIONS HEADSET**
- (71) Applicant: **Plantronics, Inc.**, Santa Cruz, CA (US)
- (72) Inventors: **John A. Kelley**, Santa Cruz, CA (US);  
**Chase Patrick Bailey**, Santa Cruz, CA (US)
- (73) Assignee: **Plantronics, Inc.**, Santa Cruz, CA (US)
- (\*\*) Term: **15 Years**
- (21) Appl. No.: **29/697,877**
- (22) Filed: **Jul. 11, 2019**
- (51) **LOC (12) Cl.** ..... **14-01**
- (52) **U.S. Cl.**  
USPC ..... **D14/206; D14/226**
- (58) **Field of Classification Search**  
USPC ..... D14/206, 205, 223; 381/380, 381, 172;  
455/90.3, 575.1, 569.1  
CPC ..... H04R 25/00; H04R 19/04; H04R 9/08;  
H04R 1/10  
See application file for complete search history.

(56) **References Cited**

**U.S. PATENT DOCUMENTS**

D233,444 S	10/1974	Christian	
5,787,166 A *	7/1998	Ullman	H04M 1/05 379/430
D447,472 S *	9/2001	McGugan	D14/225
D460,960 S *	7/2002	Kao	D14/223
6,560,346 B2 *	5/2003	Ohta	H04R 1/083 381/370
6,625,293 B1 *	9/2003	Nageno	H04R 1/08 181/20
D490,399 S *	5/2004	Kamo	D14/206
D492,667 S *	7/2004	Skulley	D14/223
6,768,804 B1 *	7/2004	Lsvan	H04R 1/083 181/20
D504,419 S *	4/2005	Bey	D14/223
D504,887 S *	5/2005	Skulley	D14/223
D505,413 S *	5/2005	Skulley	D14/223

D517,053 S	3/2006	Ham	
D518,479 S *	4/2006	Skulley	D14/225
7,106,873 B1 *	9/2006	Harrison	A61N 1/36038 381/330
7,106,877 B1 *	9/2006	Linville	H04R 1/105 381/370
D535,980 S *	1/2007	Bentley	D14/225
D537,815 S *	3/2007	Bentley	D14/206
D540,313 S *	4/2007	Rausch	D14/225
D555,153 S *	11/2007	Wilson	D14/223

(Continued)

**FOREIGN PATENT DOCUMENTS**

TW	D141358 S1	7/2011
TW	D143955 S1	11/2011

**OTHER PUBLICATIONS**

Taiwan IPO Search Report issued in Taiwan Patent Application No. 108308097, completed Jul. 21, 2020 and English translation thereof (2 pages).

*Primary Examiner* — Paula Allen Greene

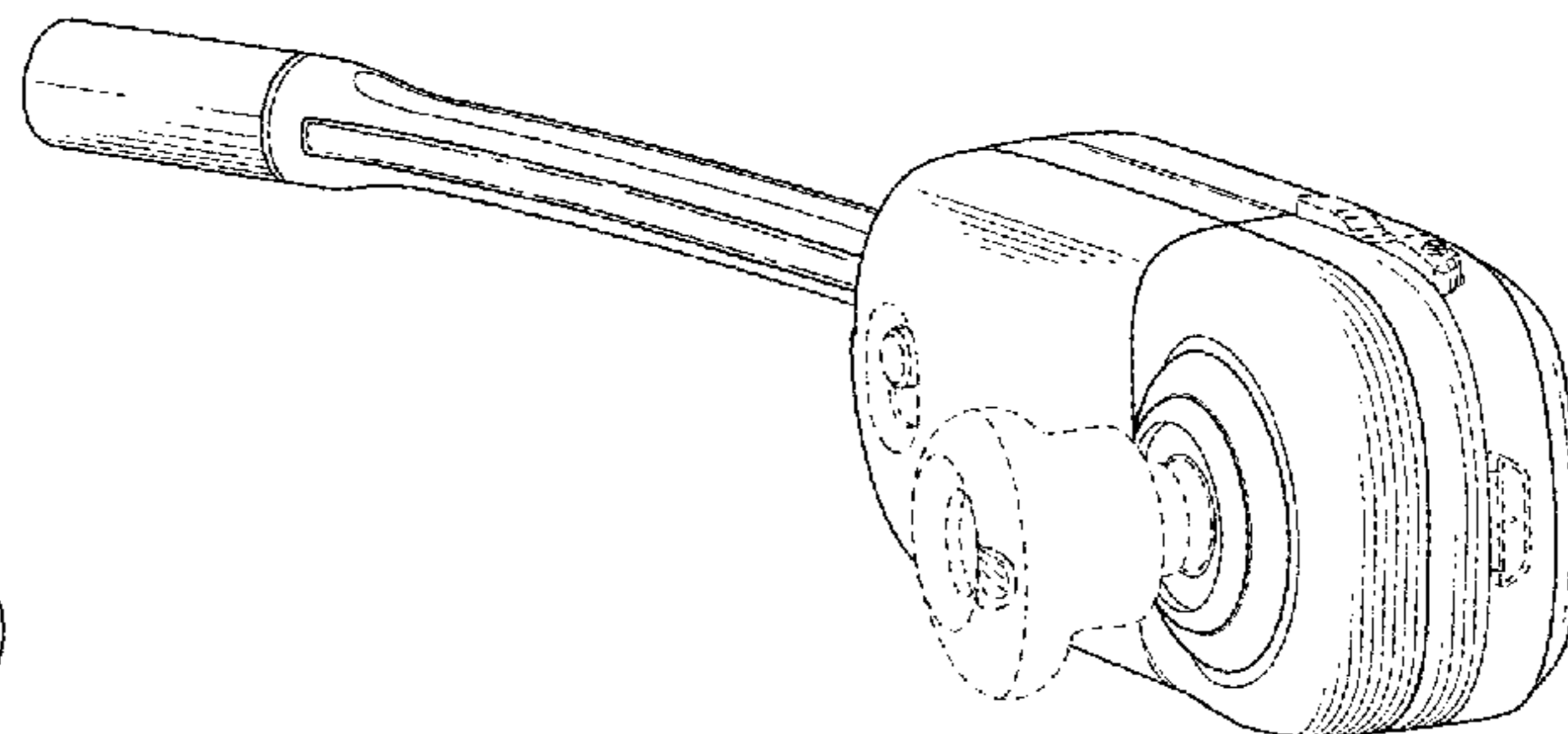
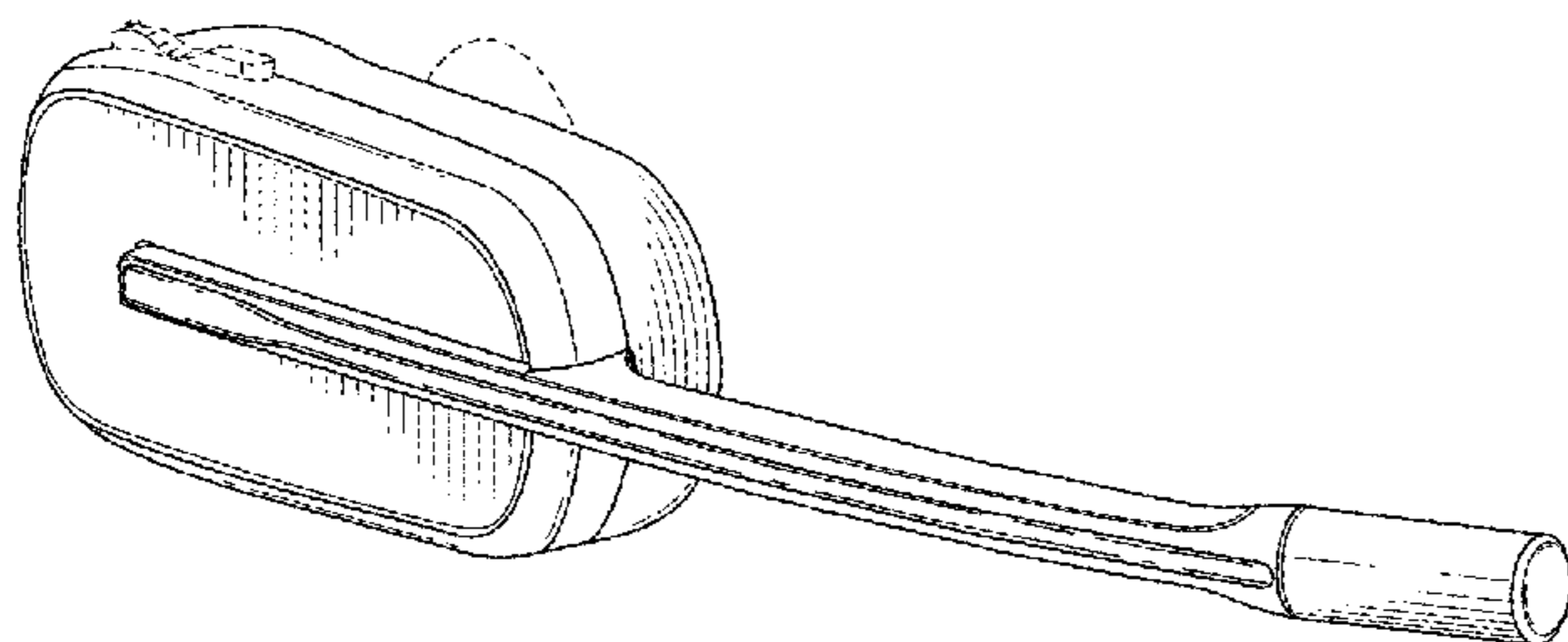
(57) **CLAIM**

The ornamental design for a communications headset, as shown and described.

**DESCRIPTION**

FIG. 1 is a top-front-right perspective view of a communications headset showing my new design; FIG. 2 is a bottom-back-right perspective view thereof; FIG. 3 is a right-side view thereof; FIG. 4 is a left-side view thereof; FIG. 5 is a top view thereof; FIG. 6 is a bottom view thereof; FIG. 7 is a back view thereof; and, FIG. 8 is a front view thereof. The broken lines showing the unclaimed features form no part of the claimed design.

**1 Claim, 4 Drawing Sheets**



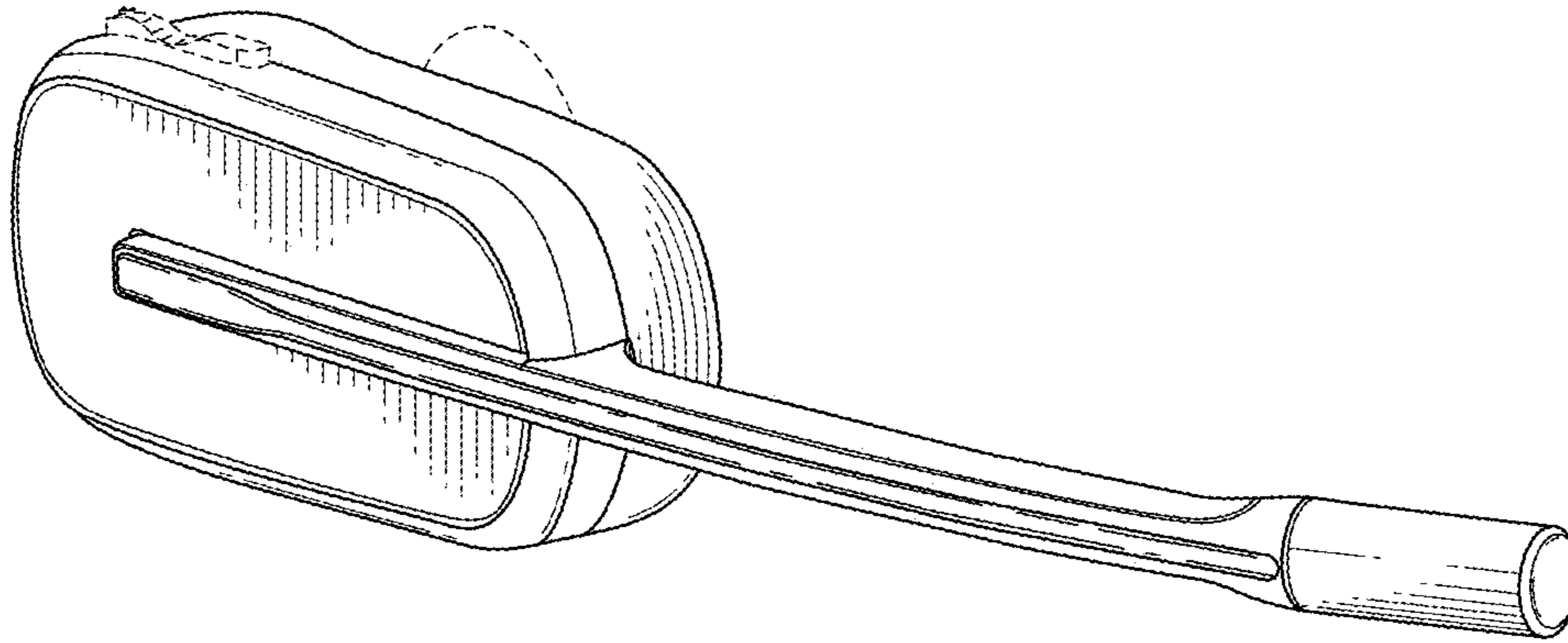
(56)

**References Cited**

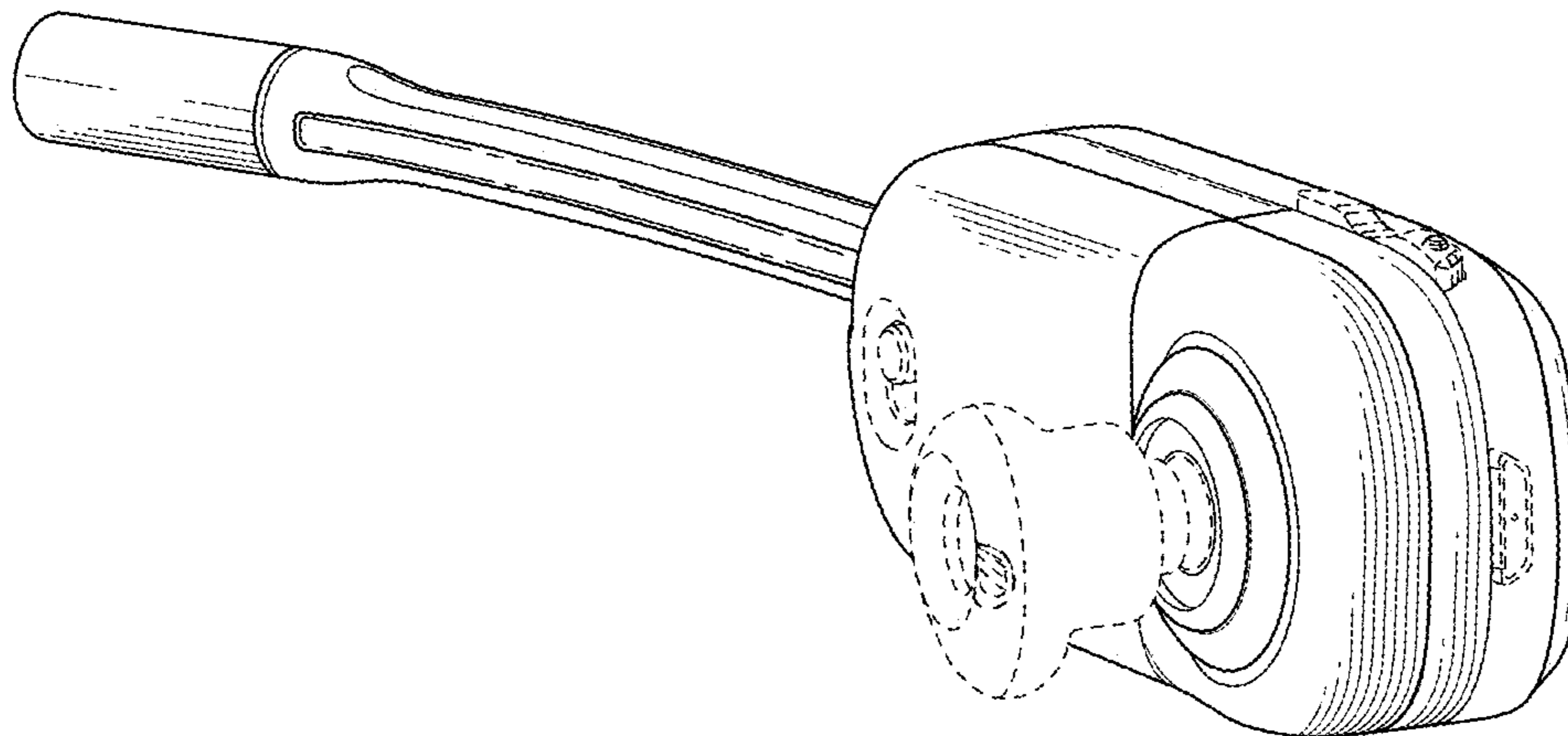
U.S. PATENT DOCUMENTS

D581,900	S	*	12/2008	Caddes .....	D14/206
D598,895	S	*	8/2009	Bentley .....	D14/206
D602,908	S	*	10/2009	Ham .....	D14/206
D617,781	S	*	6/2010	Kallas .....	D14/226
D618,221	S	*	6/2010	Fahrendorff .....	D14/223
D619,998	S		7/2010	Birger	
D623,629	S		9/2010	Lau	
D635,962	S		4/2011	Kelley	
D648,330	S	*	11/2011	Fischer .....	D14/226
D653,649	S	*	2/2012	Yang .....	D14/206
D681,014	S	*	4/2013	Ham .....	D14/223
D691,113	S	*	10/2013	Gougherty .....	D14/206
D717,767	S	*	11/2014	Mistry .....	D14/206
D741,842	S	*	10/2015	Levine .....	D14/226
D800,692	S	*	10/2017	Tan .....	D14/206
D847,782	S	*	5/2019	Wernblad .....	D14/206
D855,036	S	*	7/2019	Yan .....	D14/206
D863,254	S	*	10/2019	Hu .....	D14/206
D866,512	S	*	11/2019	Lindof .....	D14/206
D885,364	S	*	5/2020	Paterson .....	D14/206
2005/0286717	A1	*	12/2005	Viduya .....	H04M 1/18 379/430

\* cited by examiner



**FIG. 1**



**FIG. 2**

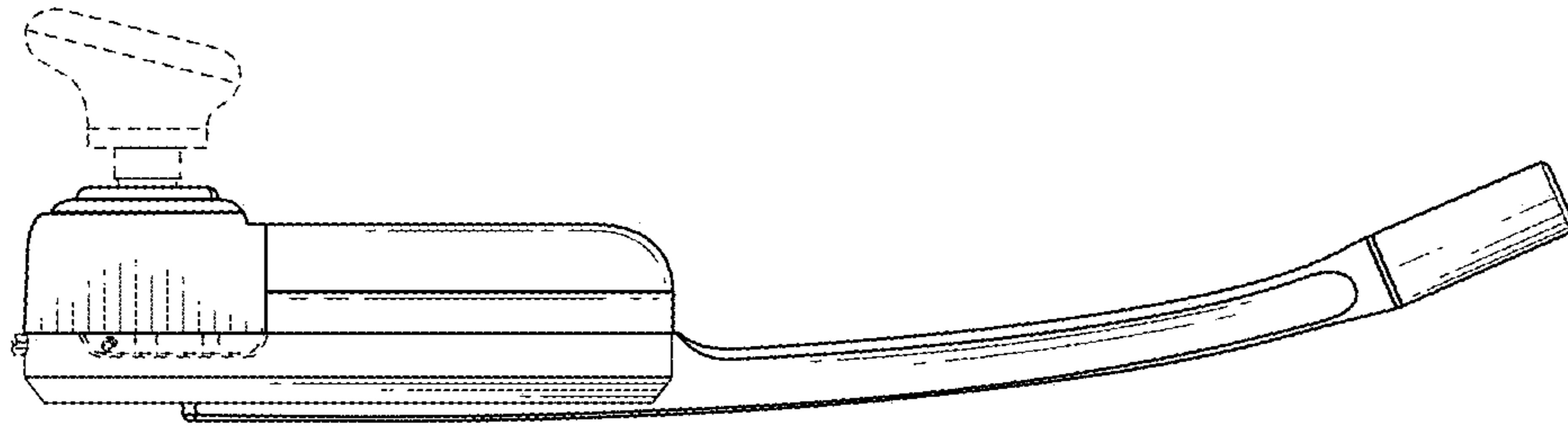


FIG. 3

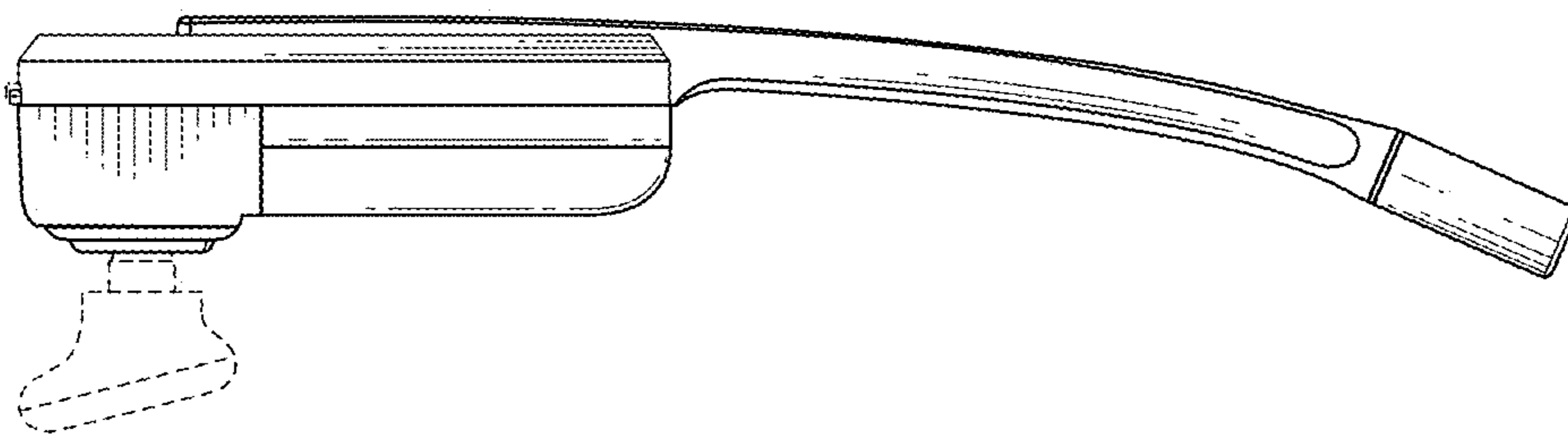
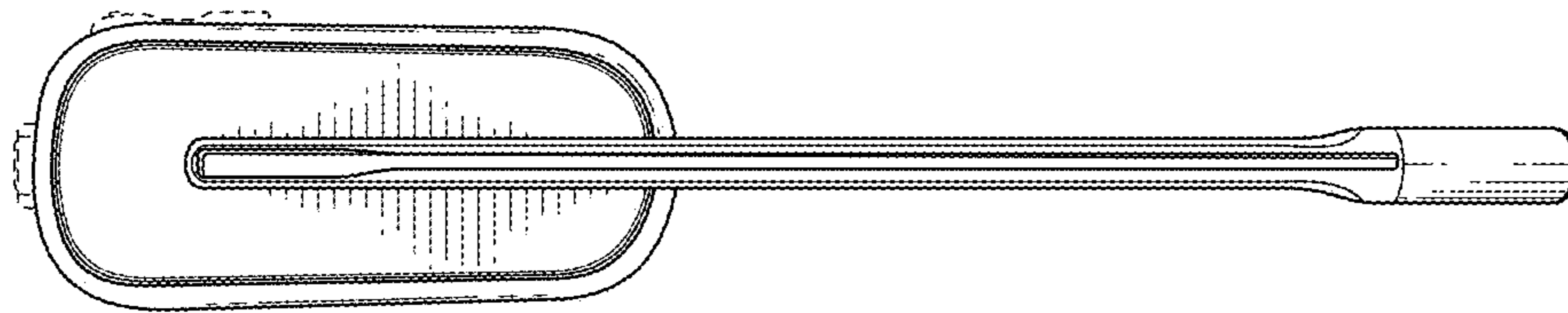
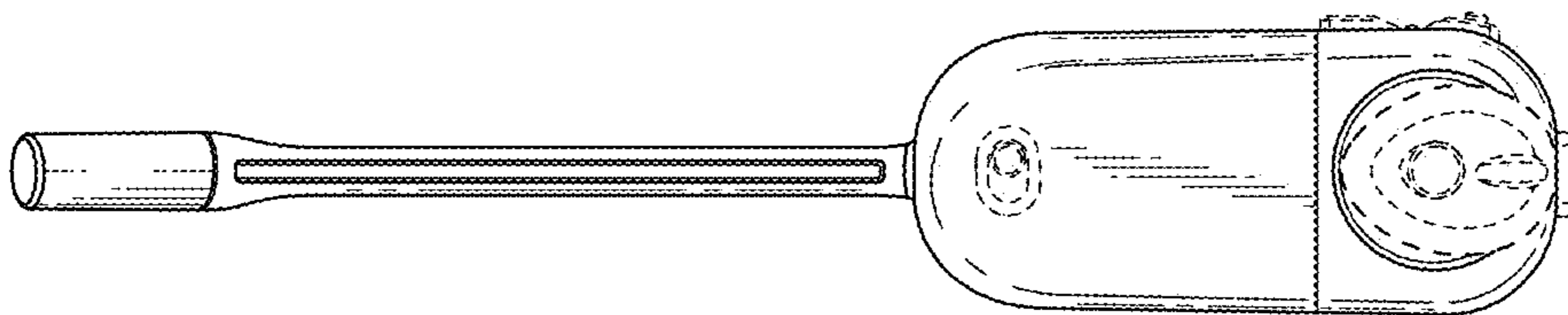


FIG. 4



**FIG. 5**



**FIG. 6**

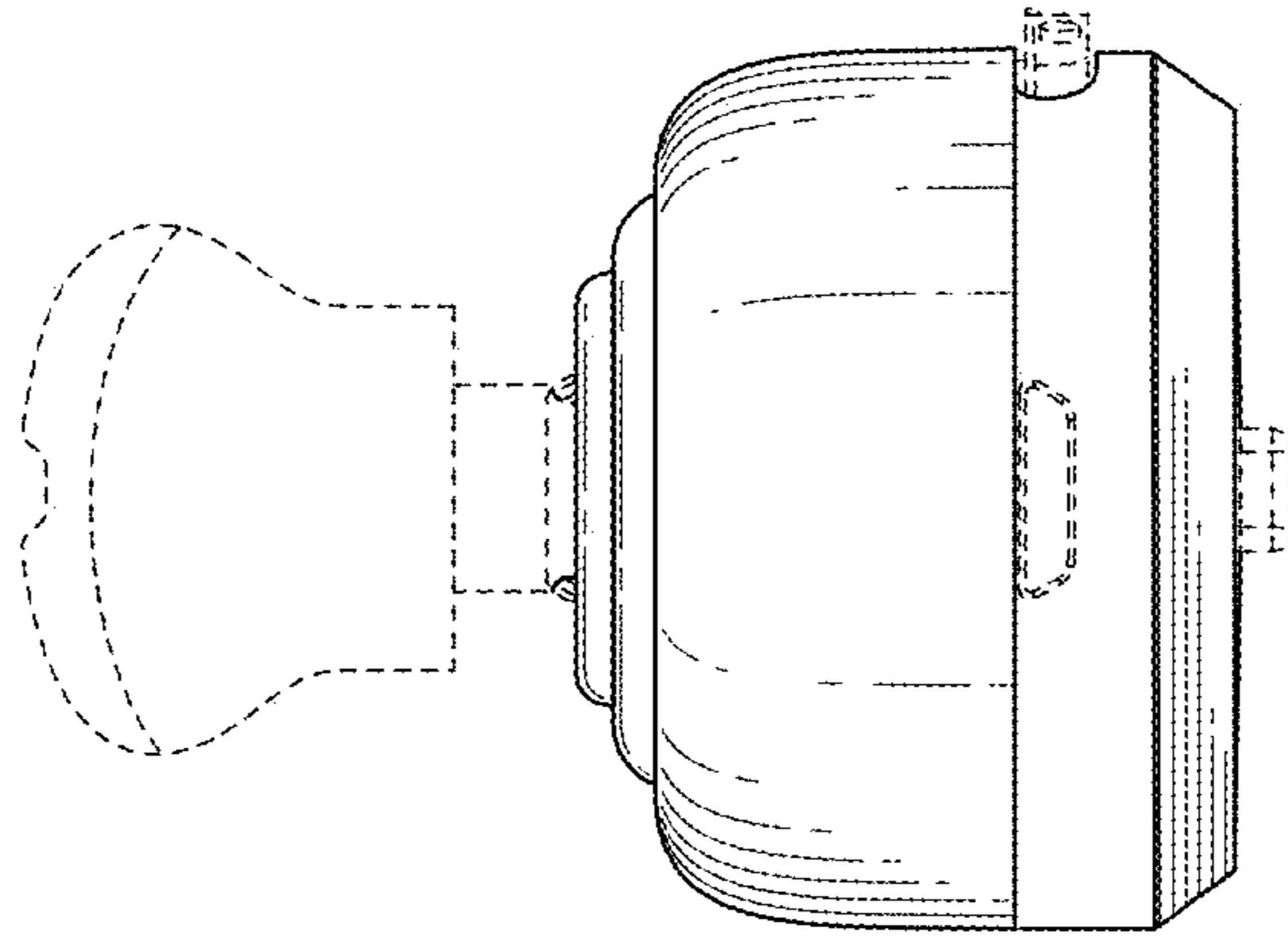


FIG. 7

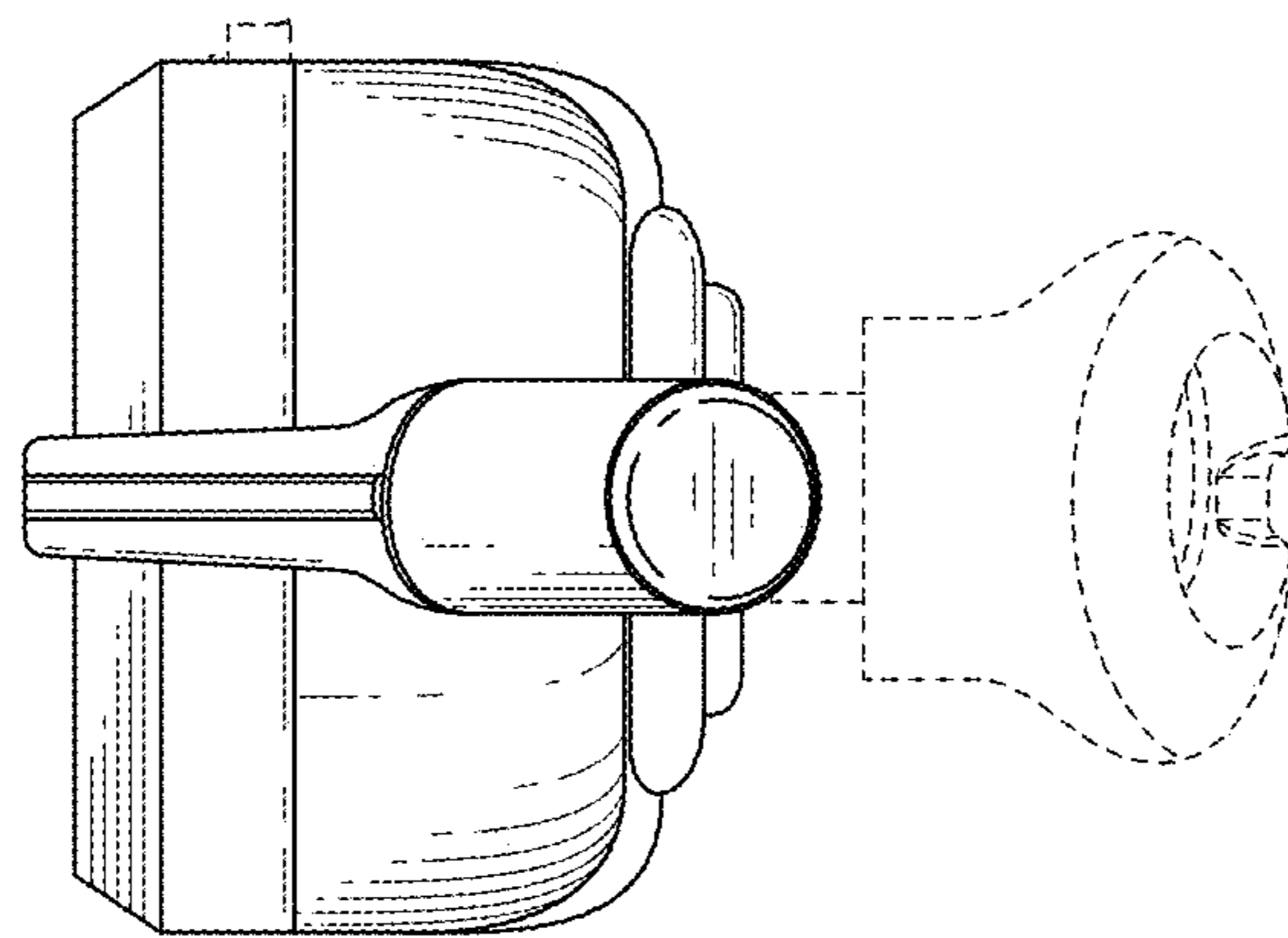


FIG. 8