



US00D906277S

(12) **United States Design Patent** (10) **Patent No.:** **US D906,277 S**  
**Viktorovych** (45) **Date of Patent:** **\*\* Dec. 29, 2020**

(54) **AMPLIFIER**

(56) **References Cited**

(71) Applicant: **Chyzhov Maksym Viktorovych**,  
Odessa (UA)

U.S. PATENT DOCUMENTS

(72) Inventor: **Chyzhov Maksym Viktorovych**,  
Odessa (UA)

D316,716	S	*	5/1991	Nagata	.....	D14/188
D371,555	S	*	7/1996	Shushurin	.....	D14/188
D572,232	S	*	7/2008	Joseph	.....	D14/188
D644,623	S	*	9/2011	Behringer	.....	D14/188
D682,251	S	*	5/2013	Behringer	.....	D14/188
D682,252	S	*	5/2013	Behringer	.....	D14/188
D719,128	S	*	12/2014	Teulie	.....	D14/188
D754,096	S	*	4/2016	Teulie	.....	D14/188
D776,078	S	*	1/2017	Williamson	.....	D14/188
D776,633	S	*	1/2017	Williamson	.....	D14/188
D788,739	S	*	6/2017	DeVesto	.....	D14/172
D788,740	S	*	6/2017	DeVesto	.....	D14/172
D810,044	S	*	2/2018	Ohmachi	.....	D14/188
D856,299	S	*	8/2019	Kuramoto	.....	D14/188
D871,364	S	*	12/2019	Lundgard	.....	D14/188
D881,836	S	*	4/2020	McWilliam	.....	D14/188
D896,773	S	*	9/2020	McWilliam	.....	D14/188

(\*\*) Term: **15 Years**

(21) Appl. No.: **35/507,503**

(22) Filed: **Nov. 7, 2018**

(80) **Hague Agreement Data**

Int. Filing Date: **Nov. 7, 2018**

Int. Reg. No.: **DM/203242**

Int. Reg. Date: **Nov. 7, 2018**

Int. Reg. Pub. Date: **Oct. 11, 2019**

(51) **LOC (12) Cl.** ..... **14-03**

(52) **U.S. Cl.**  
USPC ..... **D14/197; D14/188**

(58) **Field of Classification Search**  
USPC ..... D14/162, 167-169, 175, 179, 188,  
D14/194-198, 217, 257, 265, 299, 496  
CPC . B60R 11/02; B60R 11/0205; B60R 11/0217;  
G10K 9/22; G10K 15/04; H03F 1/26;  
H03F 1/3247; H03F 3/24; H03F 3/181;  
H03F 3/189; H03F 3/45197; H03F  
2200/03; H03F 2200/324; H03F  
2200/336; H03F 2200/543; H03F  
2203/45488; H03G 3/02; H03G 3/20;  
H04R 1/02; H04R 1/028; H04R 3/00;  
H04R 3/12; H04R 2420/07; H04R  
2499/13

See application file for complete search history.

\* cited by examiner

*Primary Examiner* — Keli L Hill

(74) *Attorney, Agent, or Firm* — Nadya Reingand; Yan Hankin

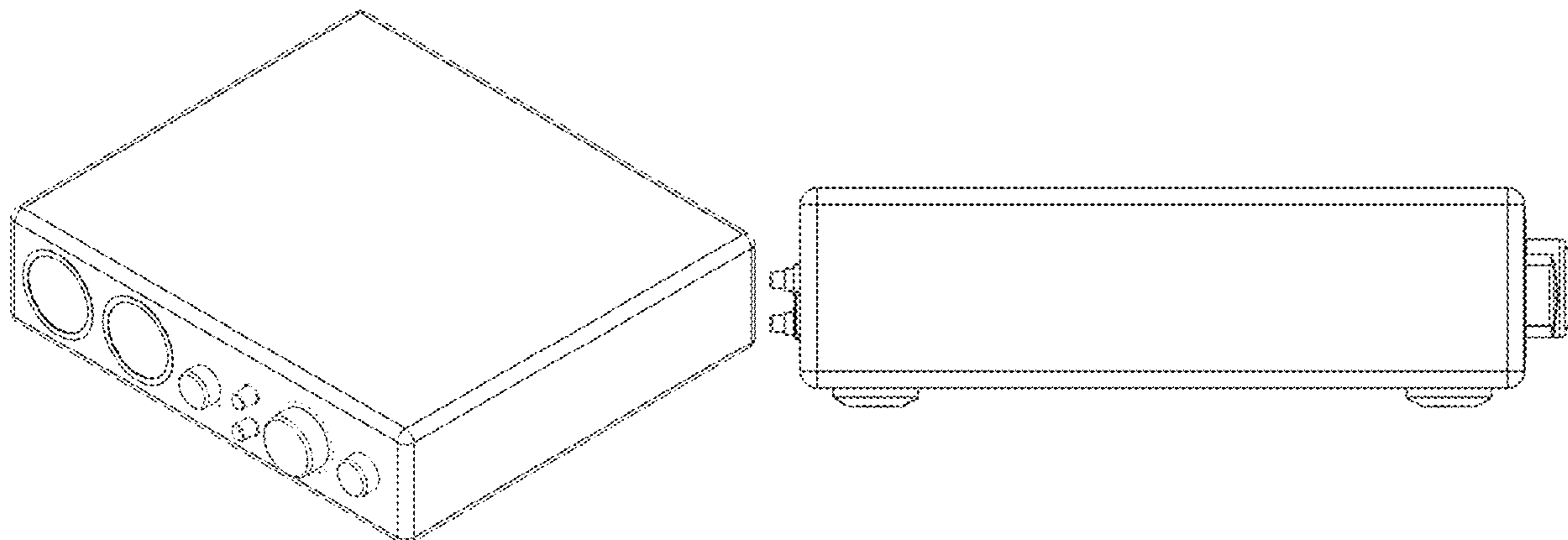
(57) **CLAIM**

The ornamental design for an amplifier, as shown and described.

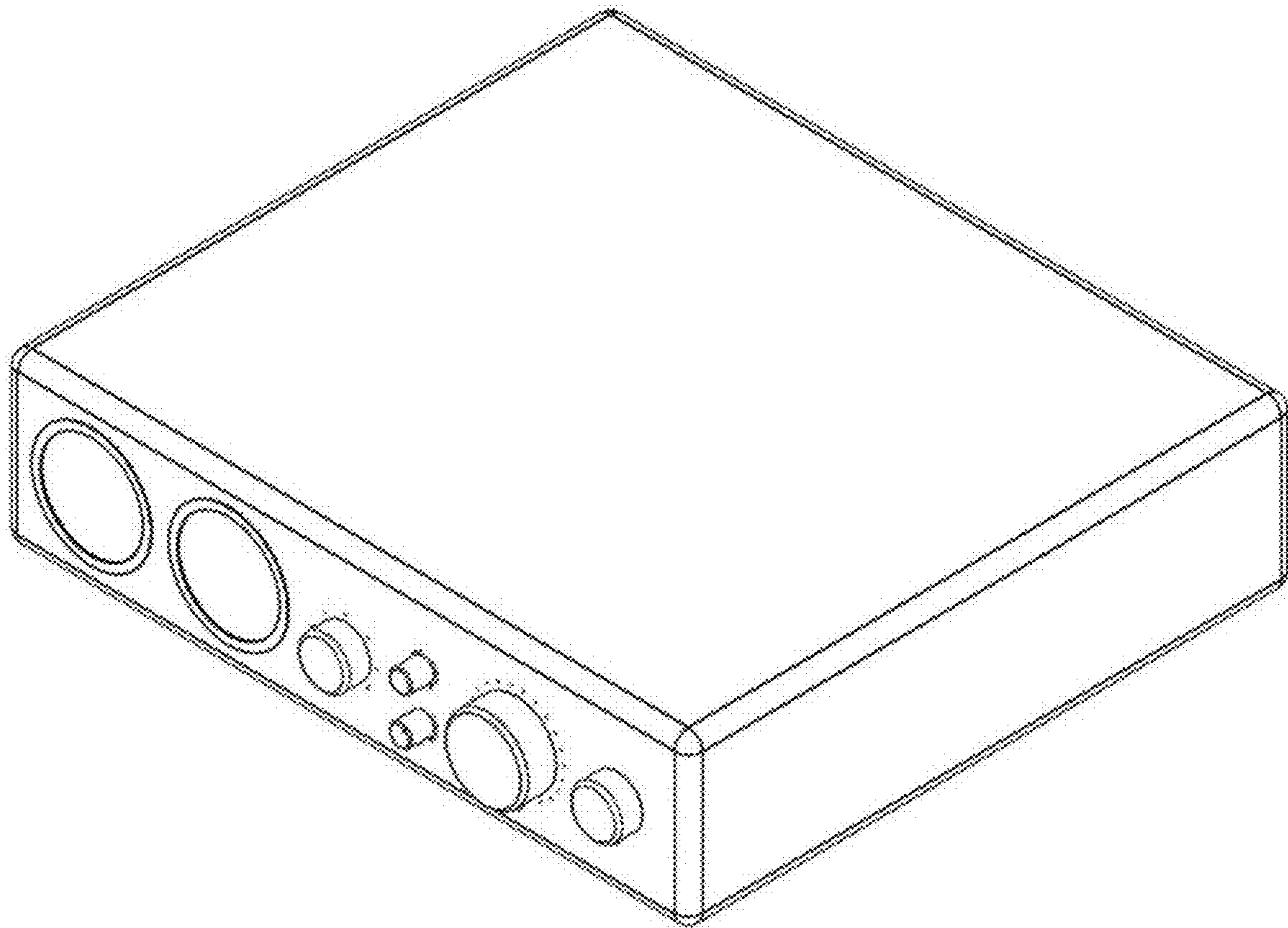
**DESCRIPTION**

- 2.1 A perspective view of an amplifier.
- 2.2-Front A front view of the amplifier.
- 2.3 Back A back view of the amplifier.
- 2.4 Right A right view of the amplifier.
- 2.5 Left A left view of the amplifier.
- 2.6 Bottom A bottom view of the amplifier.
- 2.7 Top A top view of the amplifier.

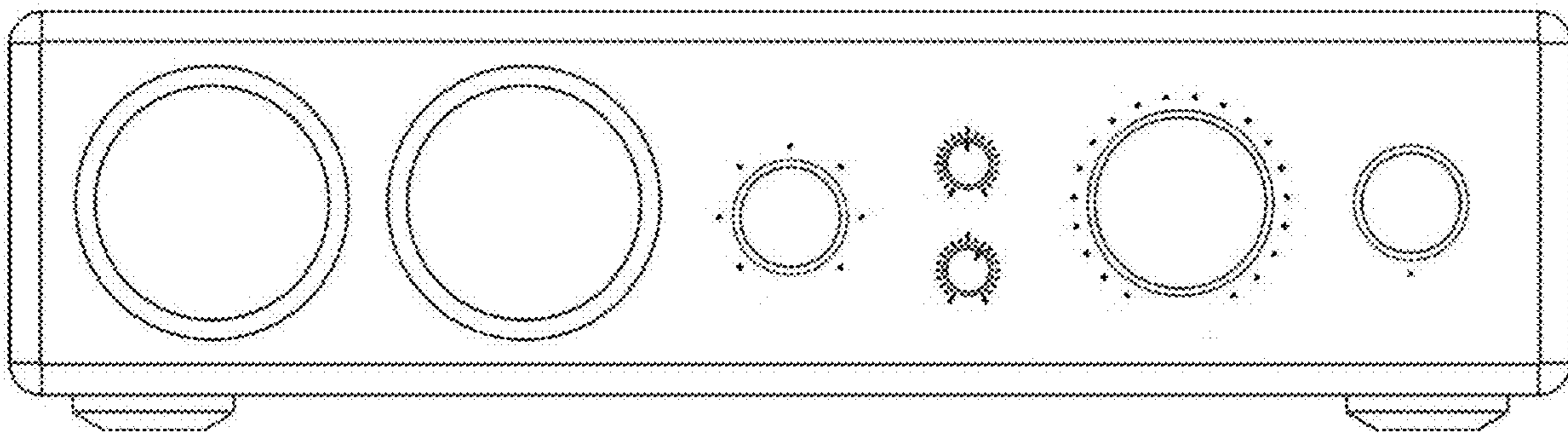
**1 Claim, 7 Drawing Sheets**



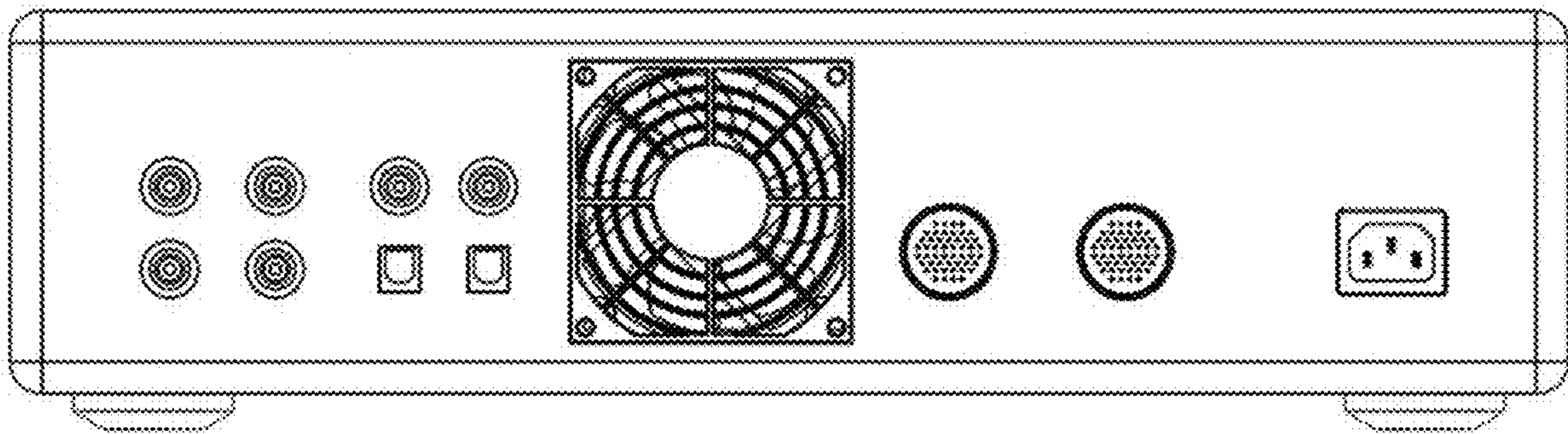
2.1



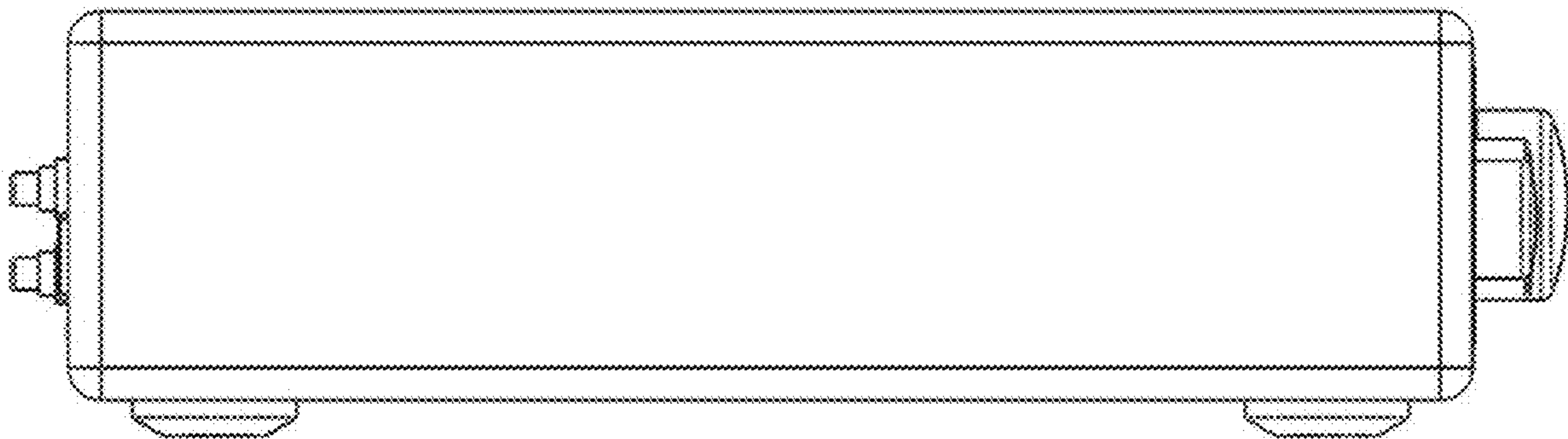
2.2



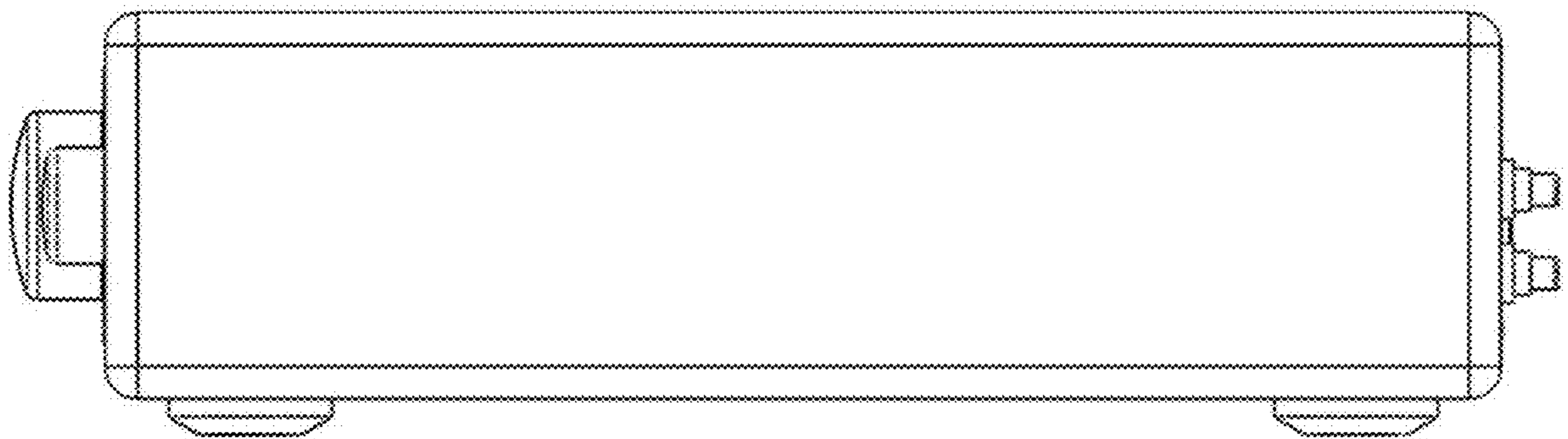
2.3



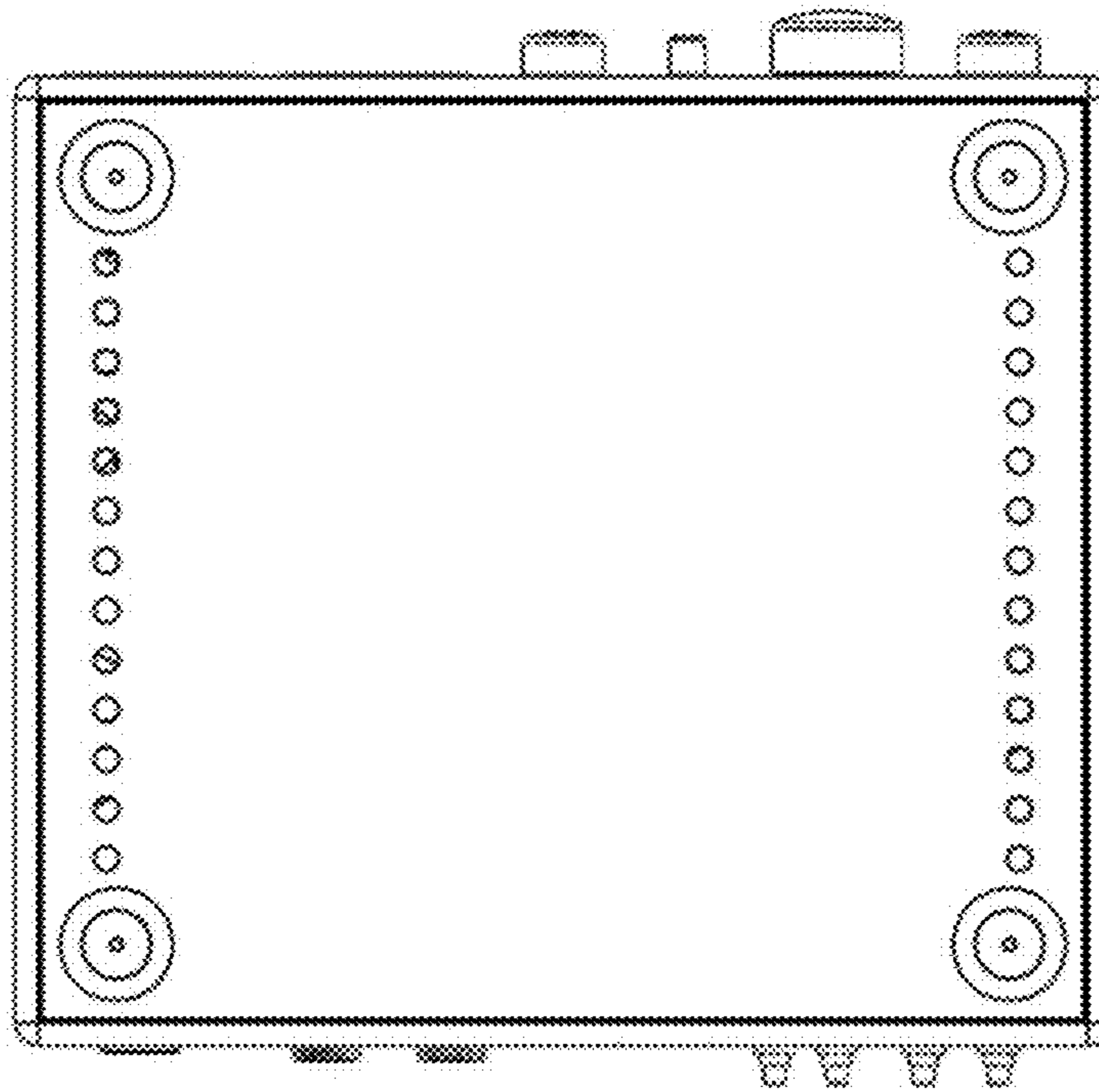
2.4



2.5



2.6



2.7

