



US00D906274S

(12) **United States Design Patent** (10) **Patent No.:** **US D906,274 S**
Nakamura et al. (45) **Date of Patent:** **** Dec. 29, 2020**

(54) **SET OF TRANSMITTER AND RECEIVER**
(71) Applicant: **SONY CORPORATION**, Tokyo (JP)
(72) Inventors: **Takatoshi Nakamura**, Chiba (JP);
Katsuhisa Hakoda, Kanagawa (JP)

D532,786 S 11/2006 Iseki
D540,774 S * 4/2007 Alwicker D14/155
D552,603 S * 10/2007 Tierney D14/155
D563,430 S 3/2008 Deguchi et al.
D589,490 S * 3/2009 Thusbass D14/155
D595,684 S * 7/2009 Ganley D14/155
D604,723 S 11/2009 Bodley et al.

(73) Assignee: **SONY CORPORATION**, Tokyo (JP)
(**) Term: **15 Years**

OTHER PUBLICATIONS

Comica Wireless Microphone, published on Youtube on Stairway to Video Editing for Beginners. Nov. 8, 2017. <https://www.youtube.com/watch?v=gJU3lw5tasY>.*

(21) Appl. No.: **29/701,308**
(22) Filed: **Aug. 9, 2019**

* cited by examiner

(30) **Foreign Application Priority Data**

Primary Examiner — Sandra L Morris

Apr. 4, 2019 (CN) 2019 3 0151432

(74) *Attorney, Agent, or Firm* — Michael Best and Friedrich LLP

(51) **LOC (12) Cl.** **14-03**

(52) **U.S. Cl.**
USPC **D14/155**; D14/225; D14/188

(57) **CLAIM**

(58) **Field of Classification Search**
USPC D14/496–511, 154–155, 168–172,
D14/188–196, 203.1–203.8, 225–226
CPC B60K 35/00; B60K 37/00; B60K 37/02;
B60K 37/06; B60R 11/02; G11B 17/02;
G11B 17/04; H04R 5/02; H04R 9/08
See application file for complete search history.

The ornamental design for a set of transmitter and receiver, as shown and described.

DESCRIPTION

(56) **References Cited**

FIG. 1 is a perspective view of a first embodiment of a set of transmitter and receiver showing our new design; FIG. 2 is a front elevational view thereof; FIG. 3 is a left side elevational view thereof; FIG. 4 is a right side elevational view thereof; and FIG. 5 is a bottom plan view thereof. FIG. 6 is a perspective view of a second embodiment of a receiver showing our new design; FIG. 7 is a front elevational view thereof; FIG. 8 is a left side elevational view thereof; FIG. 9 is a right side elevational view thereof; and, FIG. 10 is a bottom plan view thereof. The broken lines illustrating portions of the set of transmitter and receiver form no part of the claimed design.

U.S. PATENT DOCUMENTS

D259,723 S * 6/1981 van de Ven D10/15
D366,242 S 1/1996 Goto
D368,908 S 4/1996 Ikenaga
D387,765 S * 12/1997 Brassard D14/137
D391,251 S 2/1998 Yuyama et al.
D410,463 S 6/1999 Hattori
D430,128 S 8/2000 Hino et al.
D483,024 S * 12/2003 Sanchez D14/155
D496,346 S * 9/2004 Fuss D14/188
D502,690 S 3/2005 Uehara et al.
D516,083 S 2/2006 Kataoka

1 Claim, 10 Drawing Sheets

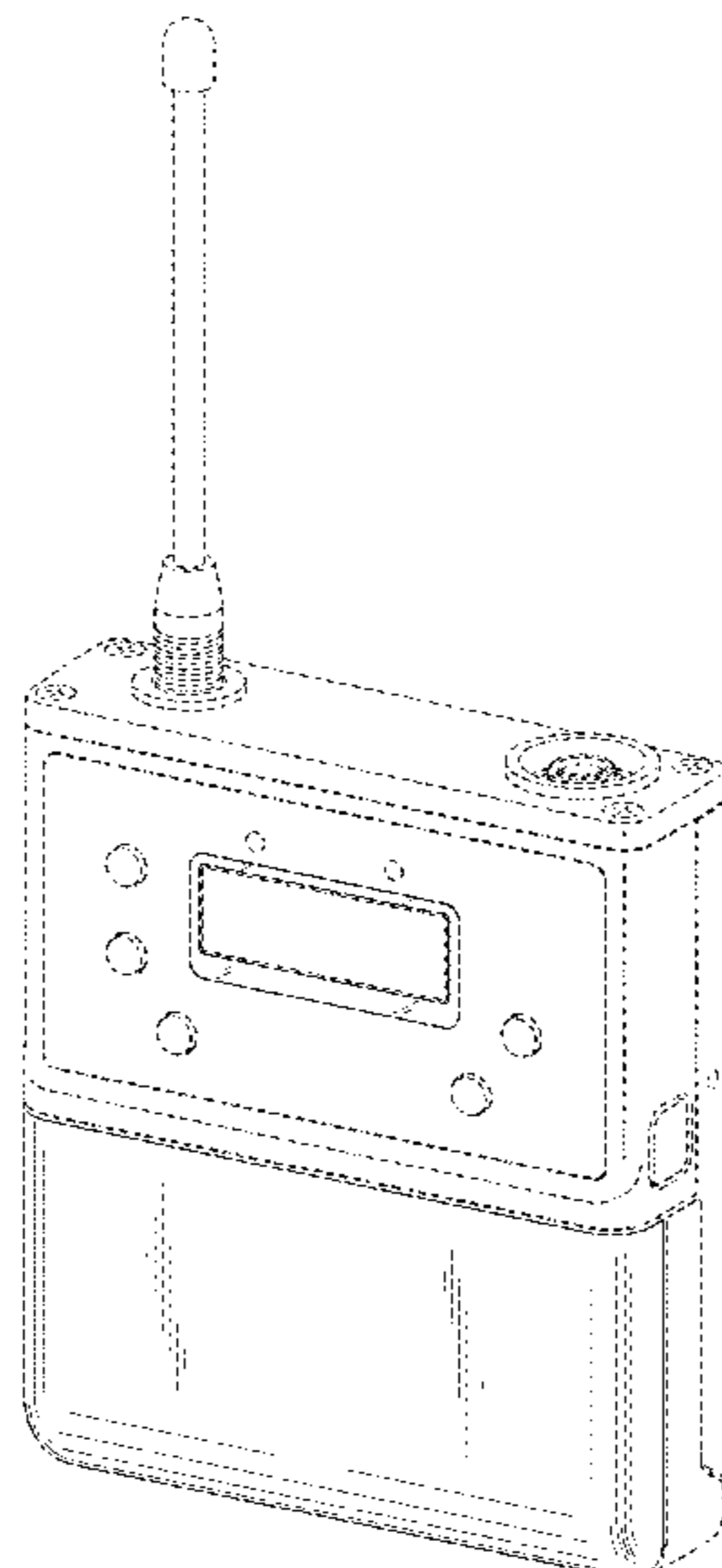


FIG. 1

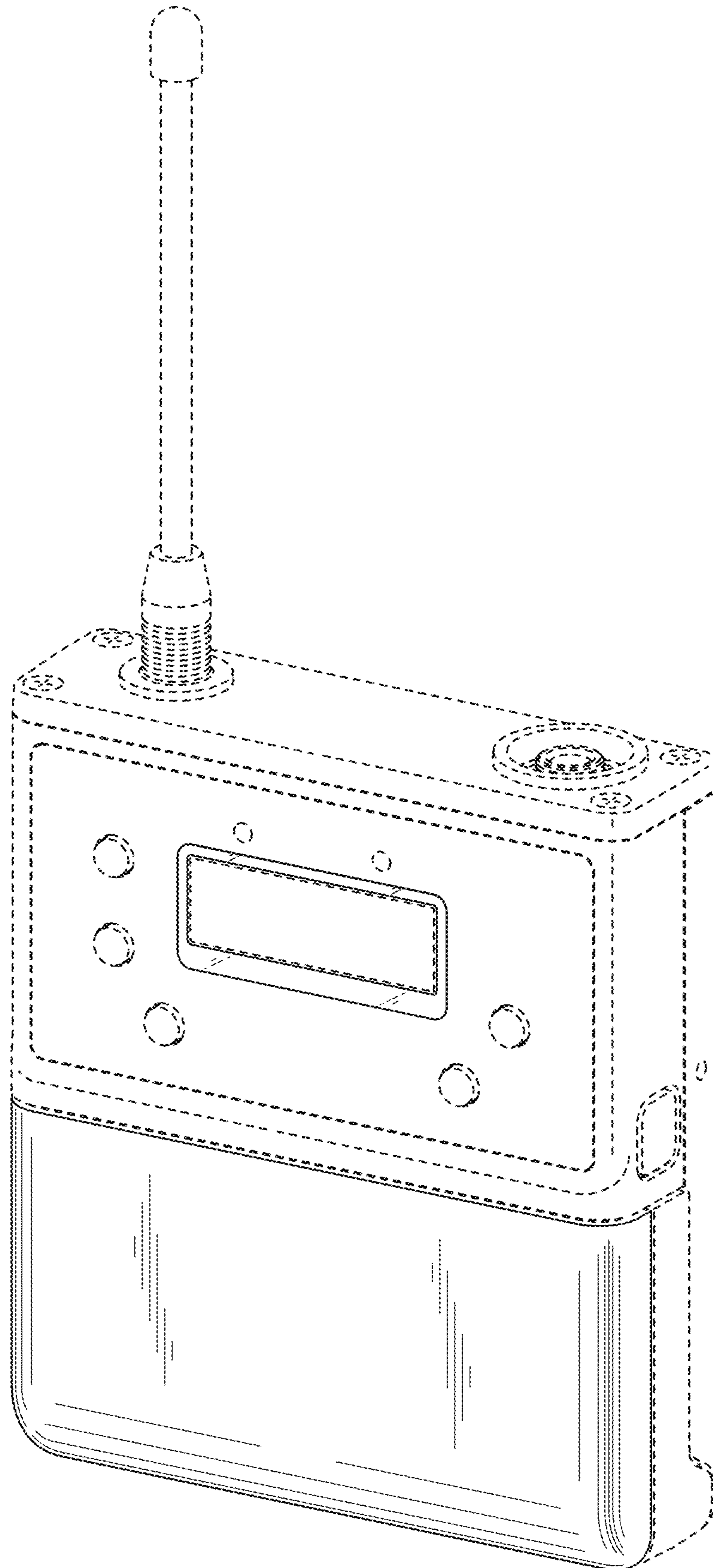


FIG. 2

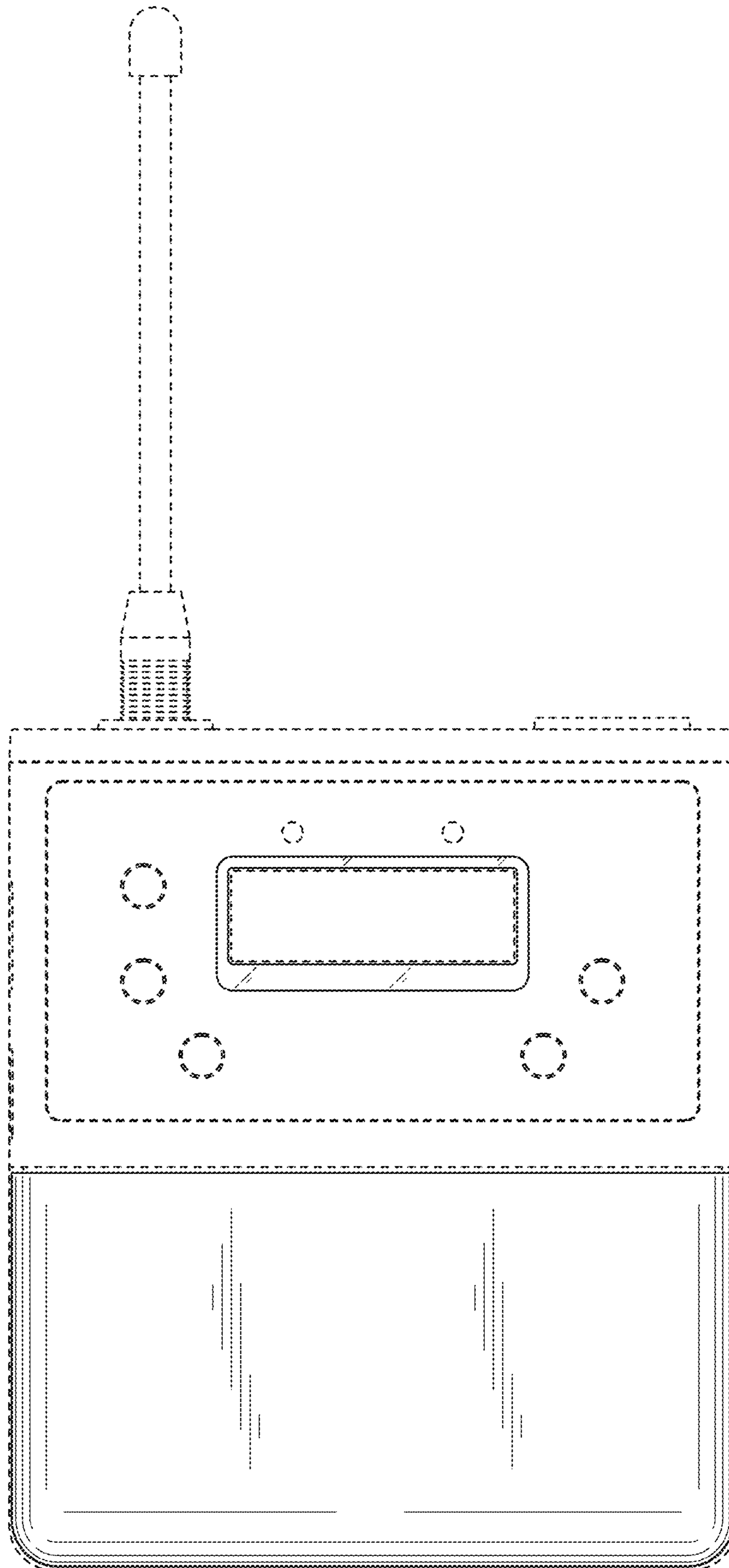


FIG. 3

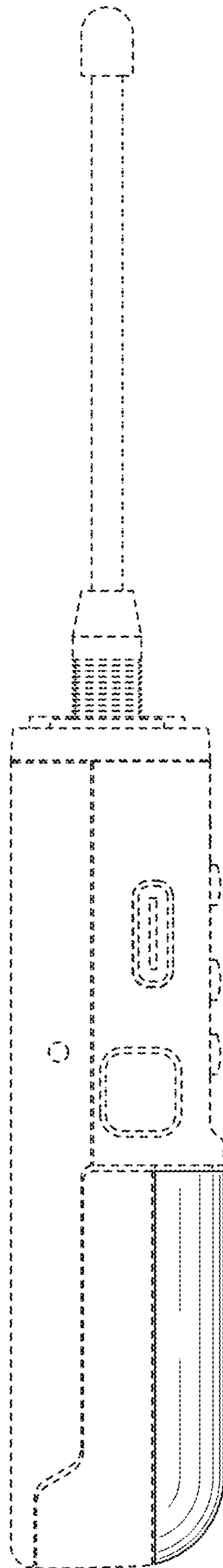


FIG. 4

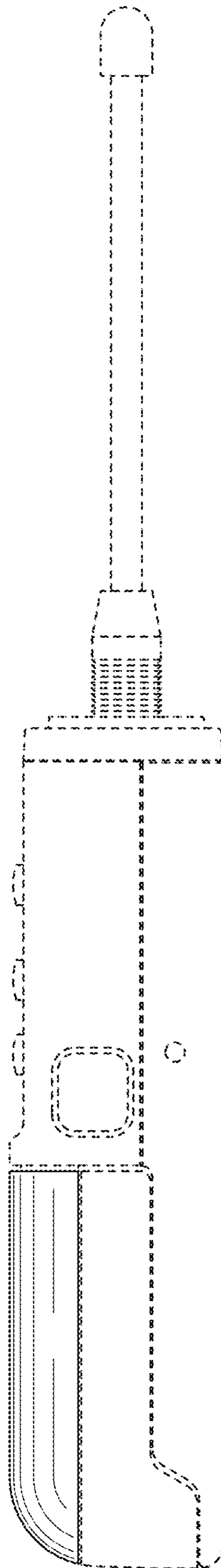


FIG. 5

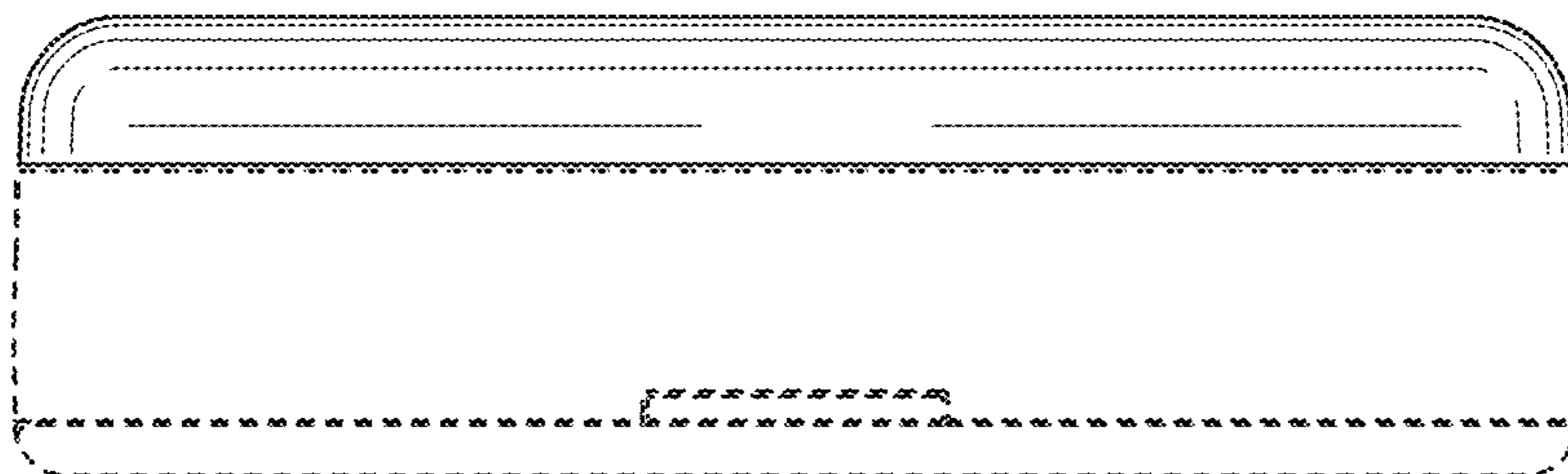


FIG. 6

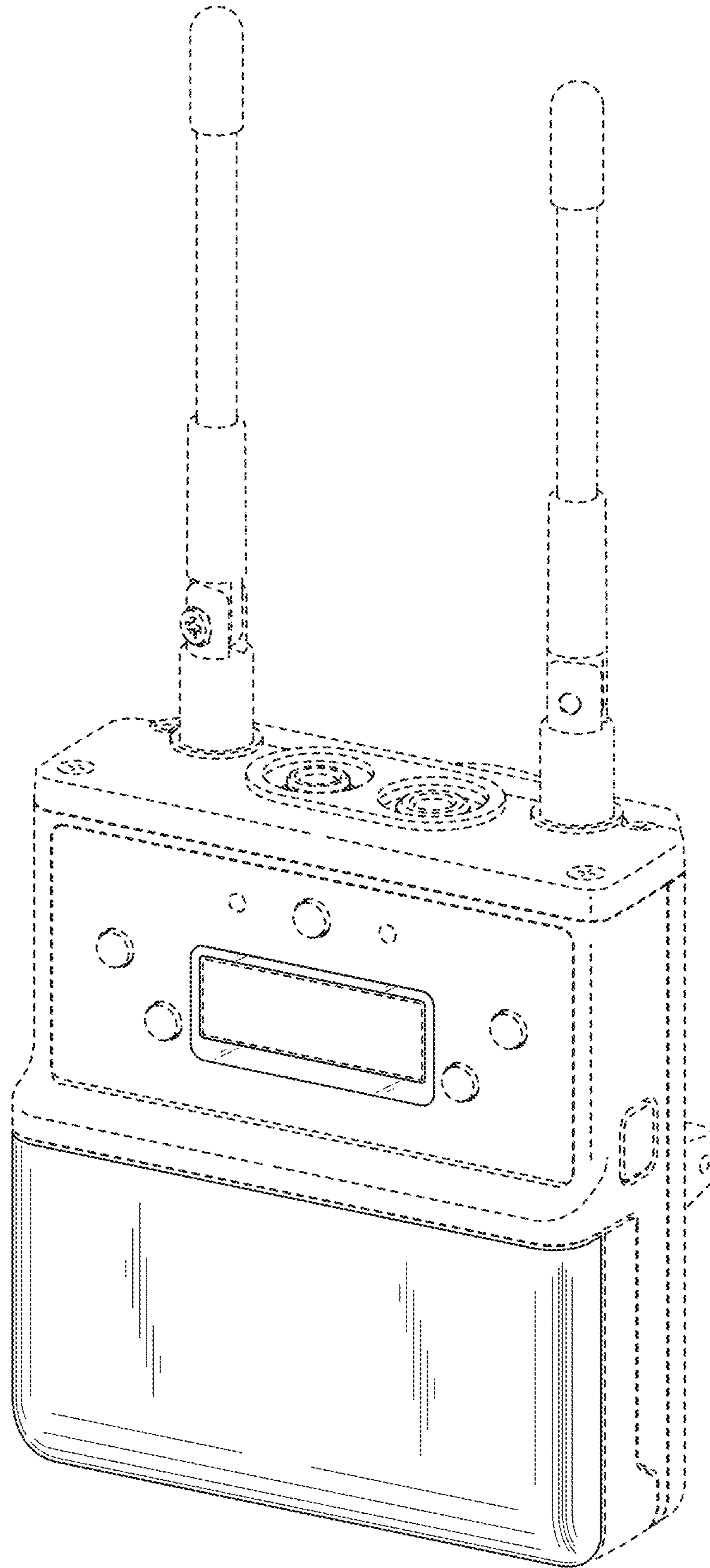


FIG. 7

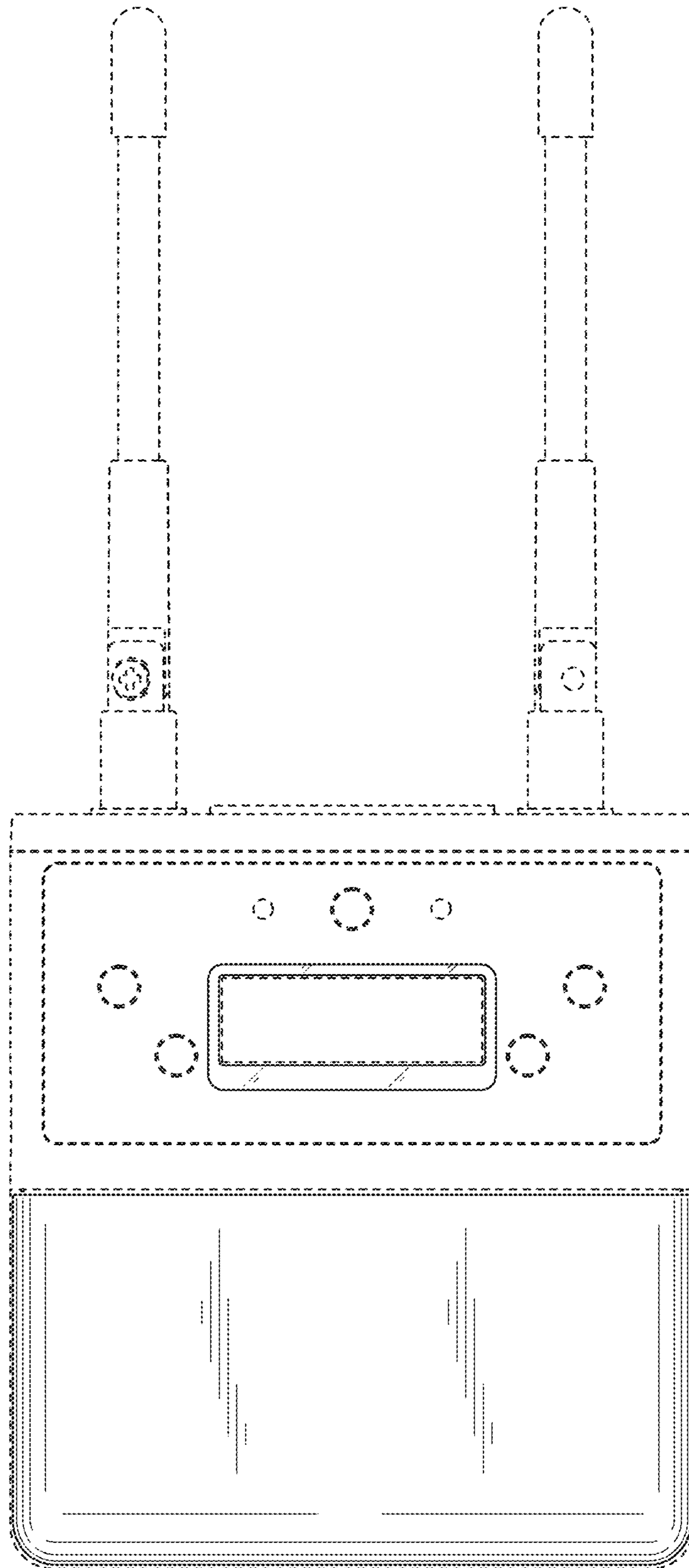


FIG. 8

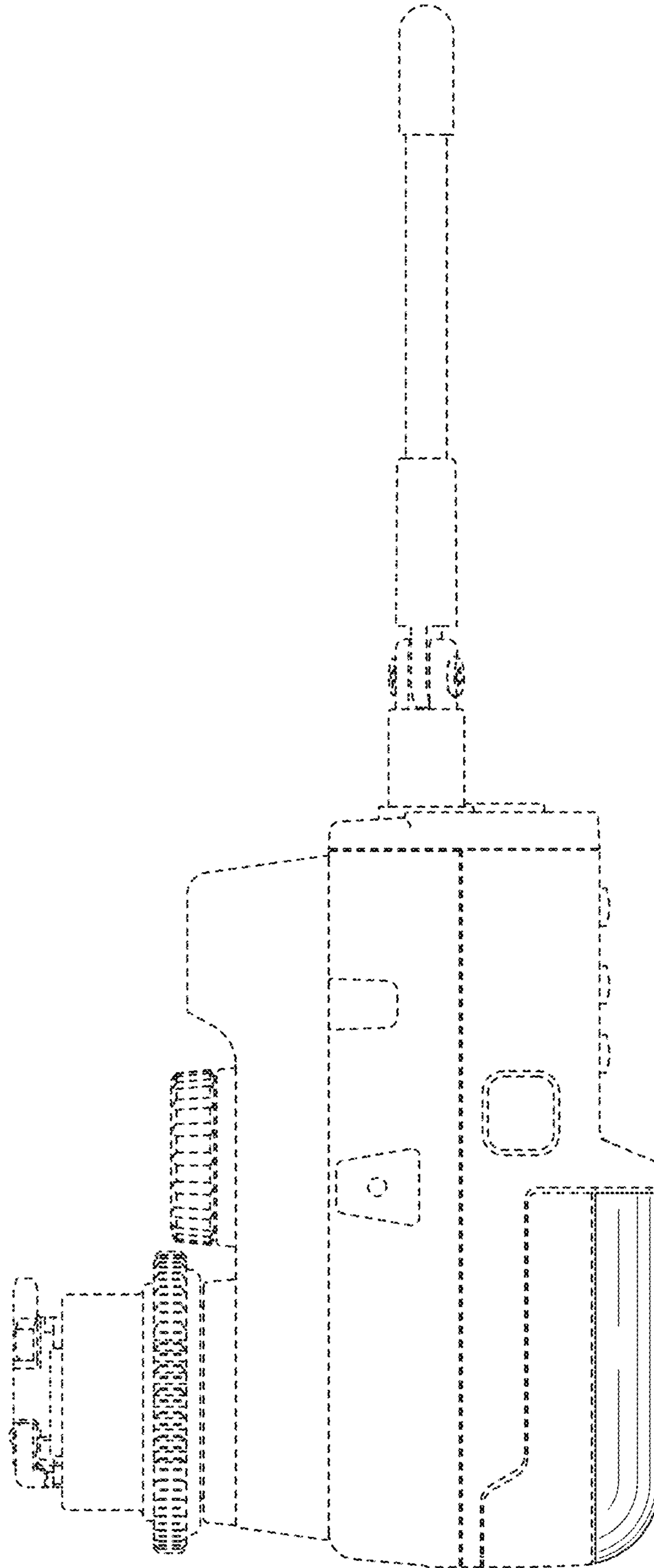


FIG. 9

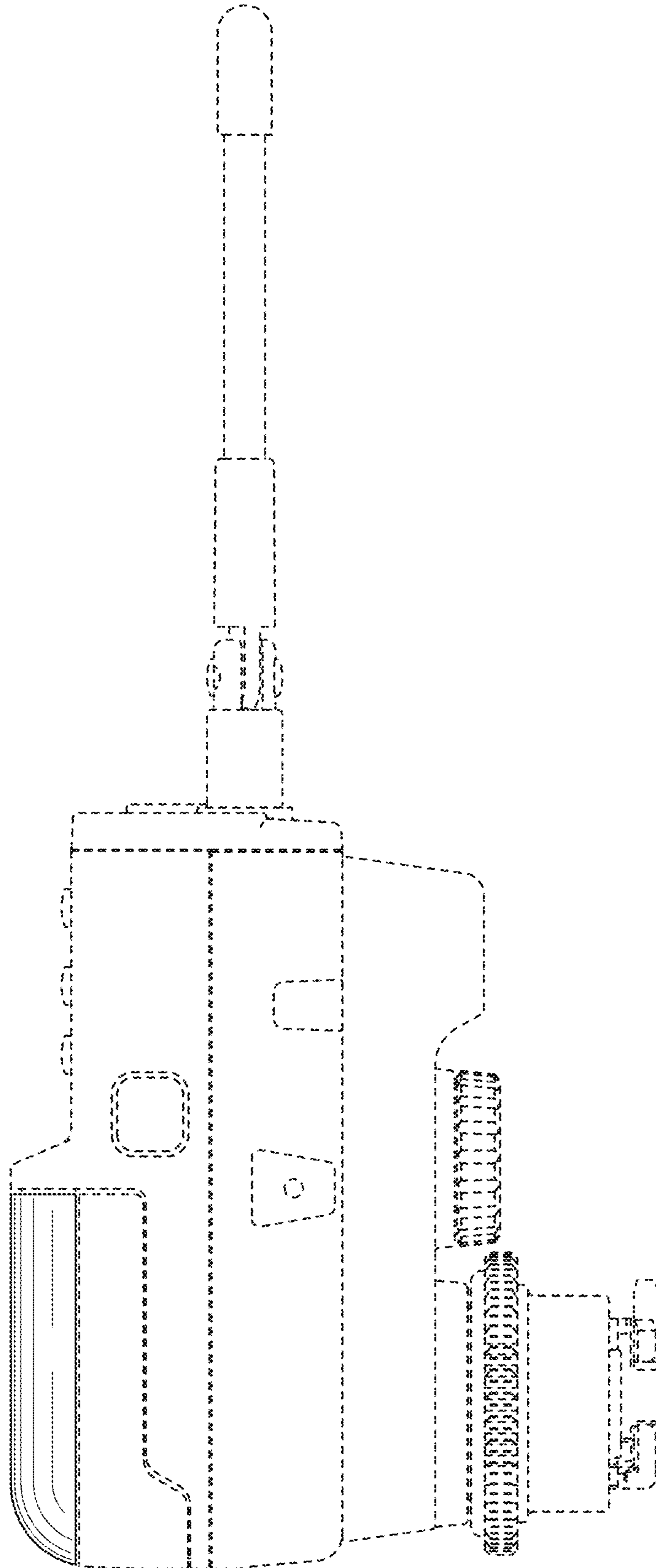


FIG. 10

