



US00D906267S

(12) **United States Design Patent** (10) **Patent No.:** **US D906,267 S**  
**Ice** (45) **Date of Patent:** **\*\* Dec. 29, 2020**

(54) **SURFACE-MOUNTABLE HEAT SINK**  
(71) Applicant: **Chad Ice**, Nashville, TN (US)  
(72) Inventor: **Chad Ice**, Nashville, TN (US)  
(73) Assignee: **Osram Sylvania Inc.**, Wilmington, MA (US)  
(\*\*) Term: **15 Years**  
(21) Appl. No.: **29/654,640**  
(22) Filed: **Jun. 26, 2018**  
(51) **LOC (12) Cl.** ..... **13-03**  
(52) **U.S. Cl.**  
USPC ..... **D13/179**  
(58) **Field of Classification Search**  
USPC ..... D13/179, 182; D15/199; D26/138, 141, D26/152, 142; D8/394  
CPC ... H01L 23/473; H01L 23/4735; H01L 23/46; H01L 23/467; H01L 23/4006; H01L 23/427; H01L 23/4093; H01L 23/3735; H01L 23/3672; H05K 7/20262; H05K 7/20263  
See application file for complete search history.

D531,965 S \* 11/2006 Stathakis ..... H01L 23/427 D13/179  
D618,992 S \* 7/2010 Rix ..... D8/354  
D724,257 S \* 3/2015 Klus ..... D26/141  
D787,925 S \* 5/2017 Moerer ..... D11/208  
D793,215 S \* 8/2017 Gallion ..... D8/394  
2007/0133176 A1\* 6/2007 Lo ..... H01L 23/4093 361/704  
2007/0247820 A1\* 10/2007 Chen ..... H01L 23/4093 361/729  
2007/0263361 A1\* 11/2007 Lai ..... H01L 23/4093 361/719  
2012/0103564 A1\* 5/2012 Ye ..... H01L 23/4093 165/67  
2012/0162919 A1\* 6/2012 Lin ..... H01L 23/4093 361/704  
2017/0332522 A1\* 11/2017 Ushijima ..... H01L 23/473  
\* cited by examiner

*Primary Examiner* — April Rivas  
(74) *Attorney, Agent, or Firm* — Edward S. Podszus

(57) **CLAIM**

The ornamental design for a surface-mountable heat sink, as shown and described.

**DESCRIPTION**

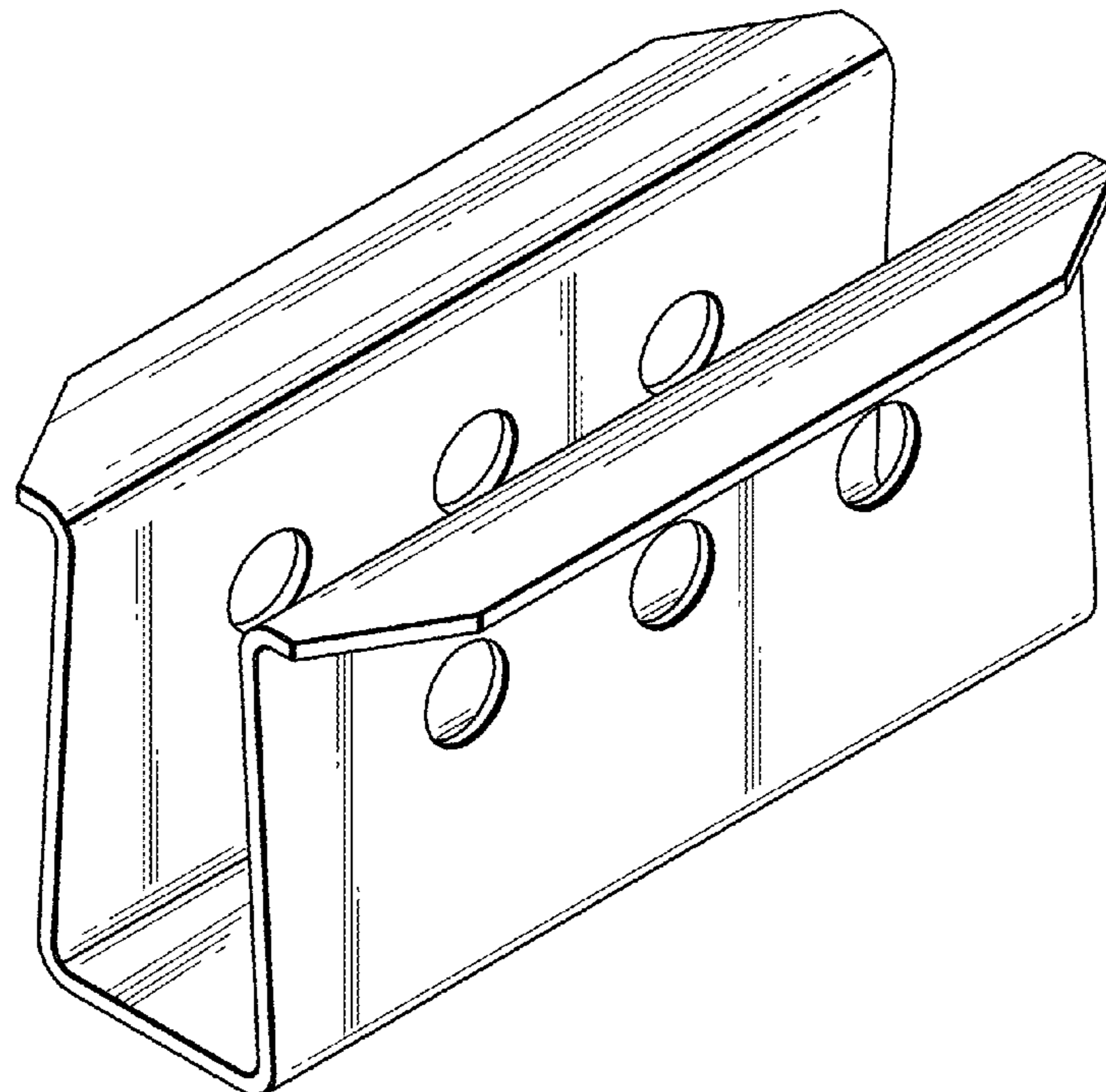
FIG. 1 is a top view of the design for a surface-mountable heat sink;  
FIG. 2 is a front elevational view thereof, the opposite rear view being the same;  
FIG. 3 is a side elevational view thereof, the opposite side view being the same;  
FIG. 4 is a bottom view thereof; and,  
FIG. 5 is a front, top perspective view thereof.

**1 Claim, 5 Drawing Sheets**

(56) **References Cited**

U.S. PATENT DOCUMENTS

D269,084 S \* 5/1983 McCarthy ..... D13/179  
D295,281 S \* 4/1988 Moore ..... D13/179  
D390,539 S \* 2/1998 Campanella ..... D13/179  
D394,043 S \* 5/1998 Campanella ..... D13/179  
D407,381 S \* 3/1999 Campanella ..... D13/179  
D409,157 S \* 5/1999 Holland ..... D13/179  
D422,970 S \* 4/2000 Guerrero ..... D13/179



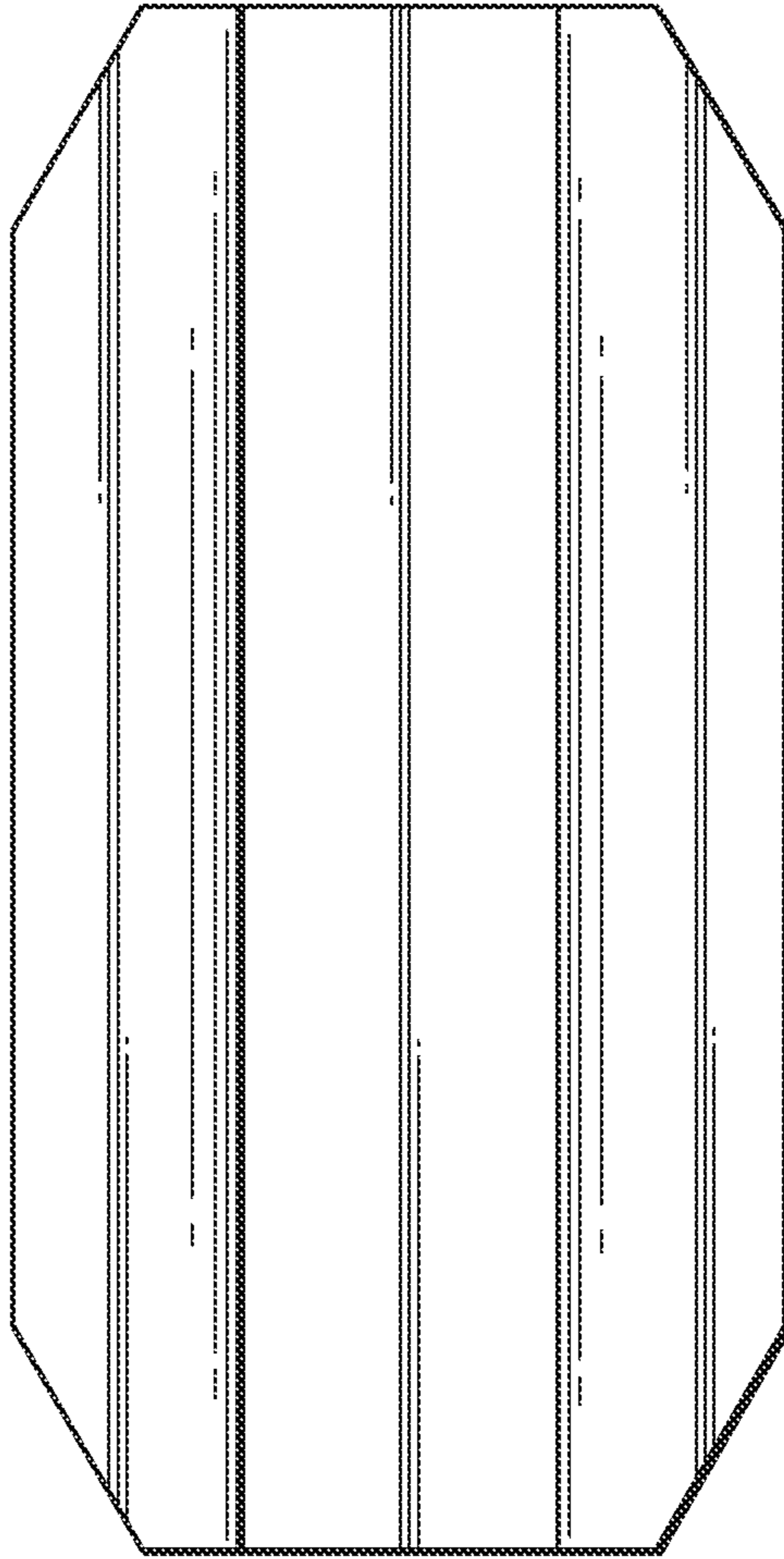


FIG. 1

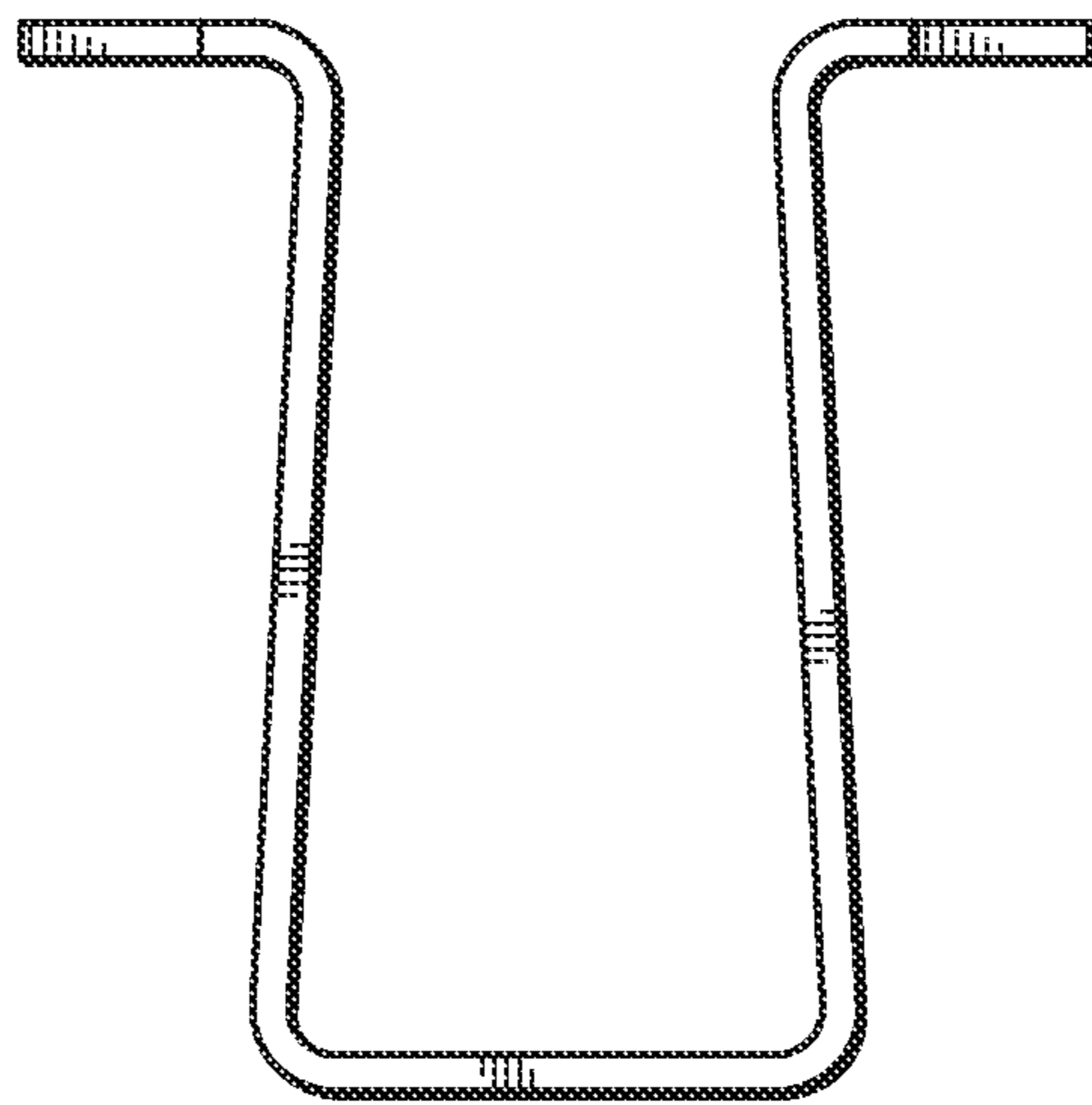


FIG. 2

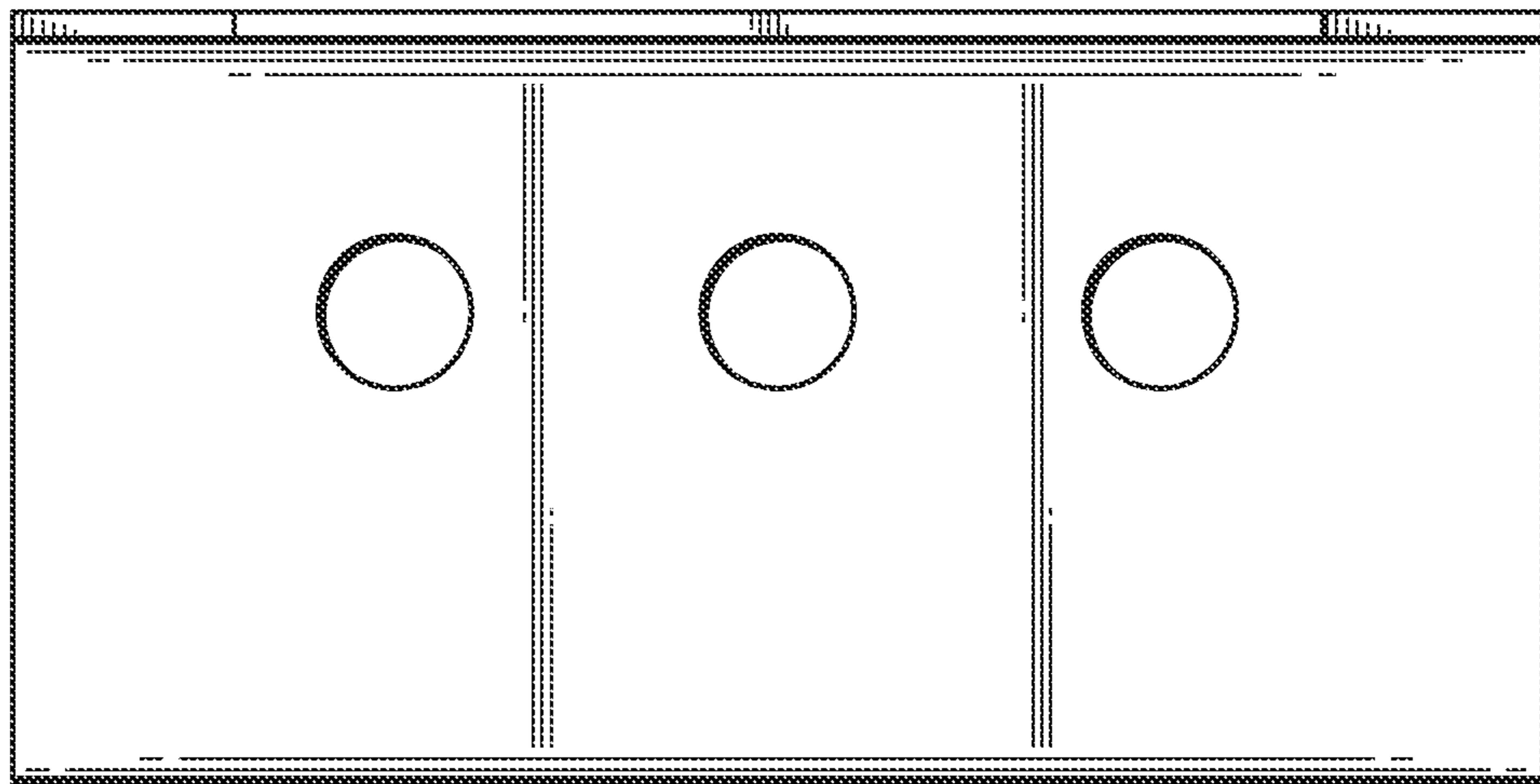


FIG. 3

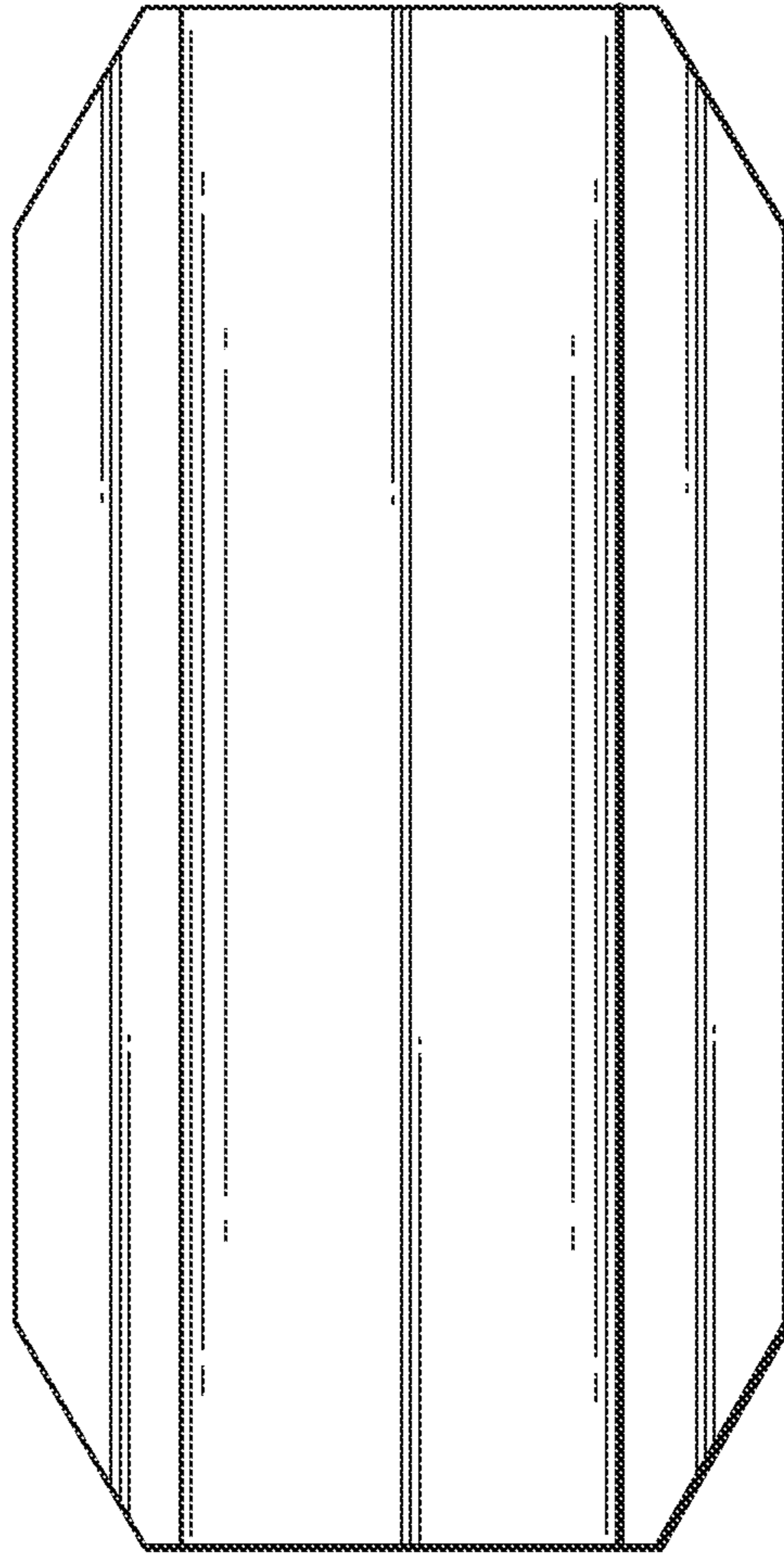


FIG. 4

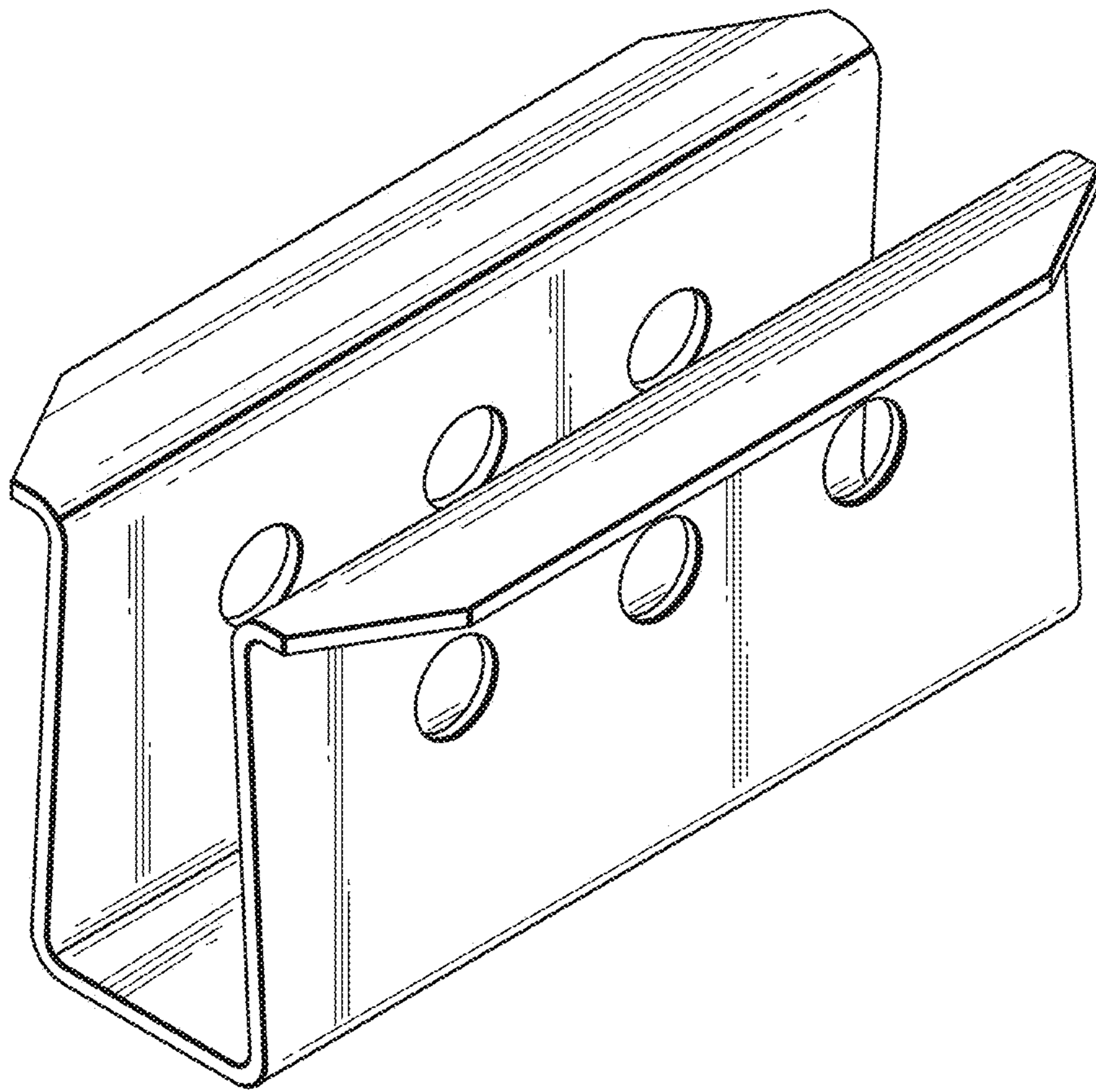


FIG. 5