



US00D906266S

(12) **United States Design Patent**
Young

(10) **Patent No.:** **US D906,266 S**
(45) **Date of Patent:** **** Dec. 29, 2020**

- (54) **FAN SPEED WALL CONTROL**
- (71) Applicant: **WAVELENGTH INVESTMENTS, LLC, Stafford, TX (US)**
- (72) Inventor: **U Lai Young, Taipei (TW)**
- (73) Assignee: **WAVELENGTH INVESTMENTS, LLC, Stafford, TX (US)**
- (**) Term: **15 Years**
- (21) Appl. No.: **29/705,481**
- (22) Filed: **Sep. 12, 2019**
- (51) **LOC (12) Cl.** **13-03**
- (52) **U.S. Cl.**
USPC **D13/170**
- (58) **Field of Classification Search**
USPC D13/162, 168, 171, 173, 174, 170
CPC .. H01H 9/02; H01H 9/16; H01H 9/18; H01H 9/181; H01H 9/182; H01H 13/023; H01H 13/04; H01H 13/06; H01H 2009/187; H01H 15/02; H01H 15/025; H01H 15/04; H01H 15/06; H01H 15/10; H05B 39/02; H05B 39/04; H05B 39/085; H05B 39/086; H05B 39/088; G08C 17/02; H03K 17/962

See application file for complete search history.

4,939,383	A *	7/1990	Tucker	H01C 10/50	307/139
4,972,045	A *	11/1990	Primeau	H01H 15/10	174/66
D329,635	S *	9/1992	Tsai	D13/110	
D335,282	S *	5/1993	Jurell	D13/170	
5,338,910	A *	8/1994	Tsai	H01H 15/00	200/292
D384,038	S *	9/1997	Ko	D13/162	
D405,061	S *	2/1999	Thomas	D13/125	
D541,222	S *	4/2007	Mayo	D13/162	
D597,496	S *	8/2009	Samuels	D13/170	
D630,595	S *	1/2011	Samuels	D13/170	
D797,062	S *	9/2017	Hakkarainen	D13/170	
D839,217	S *	1/2019	Hakkarainen	D13/170	
2016/0233785	A1 *	8/2016	Newman, Jr.	H02M 5/293	
2019/0346162	A1 *	11/2019	Borders	F04D 27/004	

OTHER PUBLICATIONS

Fanimation, "CW7WH Wall Control 5-Fan—Controls and Remotes", webpage extraction, "https://www.fanimation.com/products/index.php/controls-remotes/wall-control-5-fan.html", extracted Jan. 1, 2020.

* cited by examiner

Primary Examiner — Selina Sikder

(74) *Attorney, Agent, or Firm* — Charles Knobloch

(57) **CLAIM**

The ornamental design for a fan speed wall control, as shown and described.

DESCRIPTION

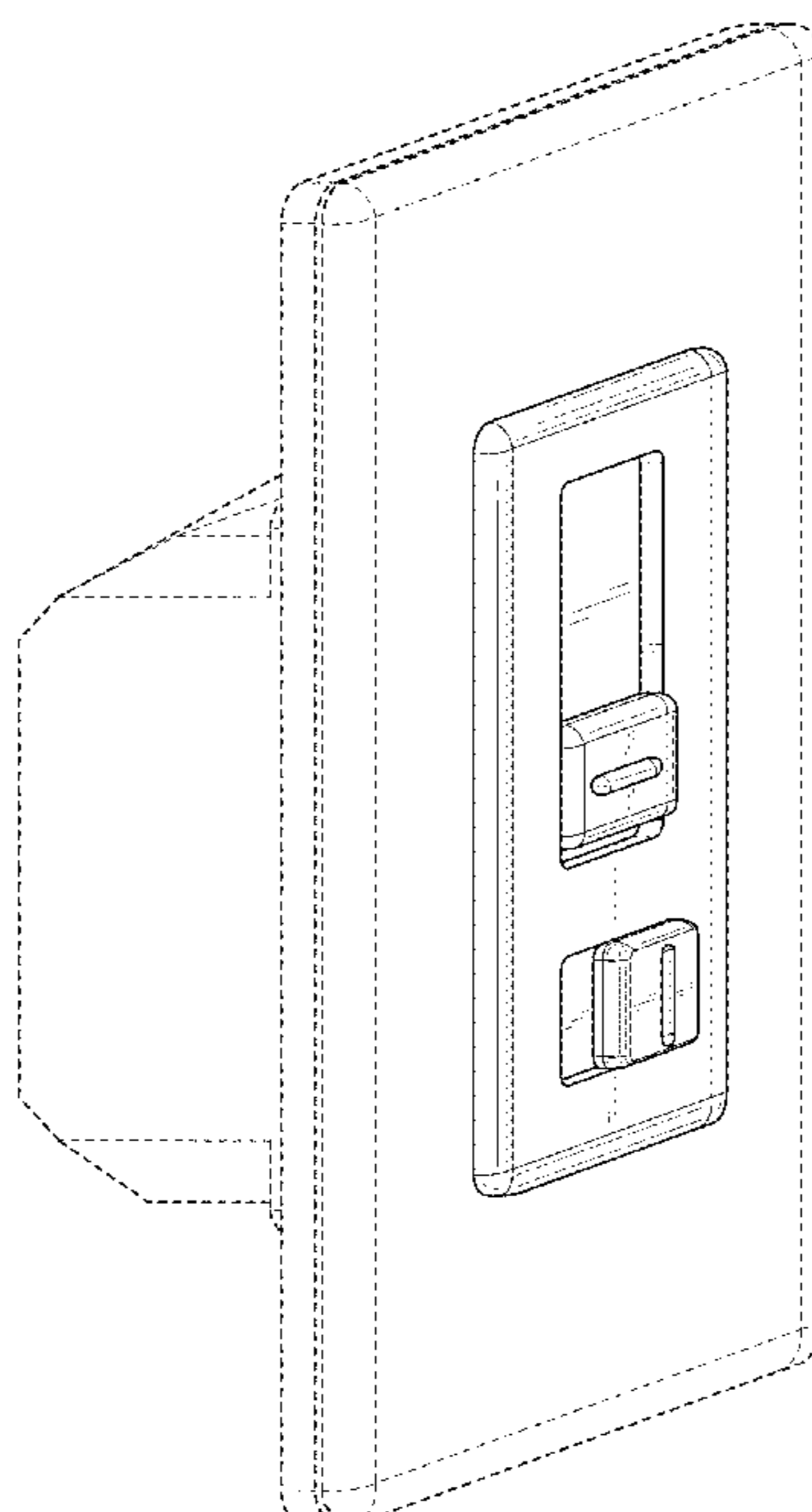
FIG. 1 is a perspective view of the fan speed wall control. FIG. 2 is a front view of the fan speed wall control; and, FIG. 3 is a side view of the fan speed wall control. The broken lines in the drawings depict portions of the fan speed wall control that form no part of the claim.

1 Claim, 3 Drawing Sheets

(56) **References Cited**

U.S. PATENT DOCUMENTS

4,803,380	A *	2/1989	Jacoby, Jr.	H01H 9/52	307/157
4,880,950	A *	11/1989	Carson	H01H 15/10	200/547
D307,578	S *	5/1990	Carson	D13/158	



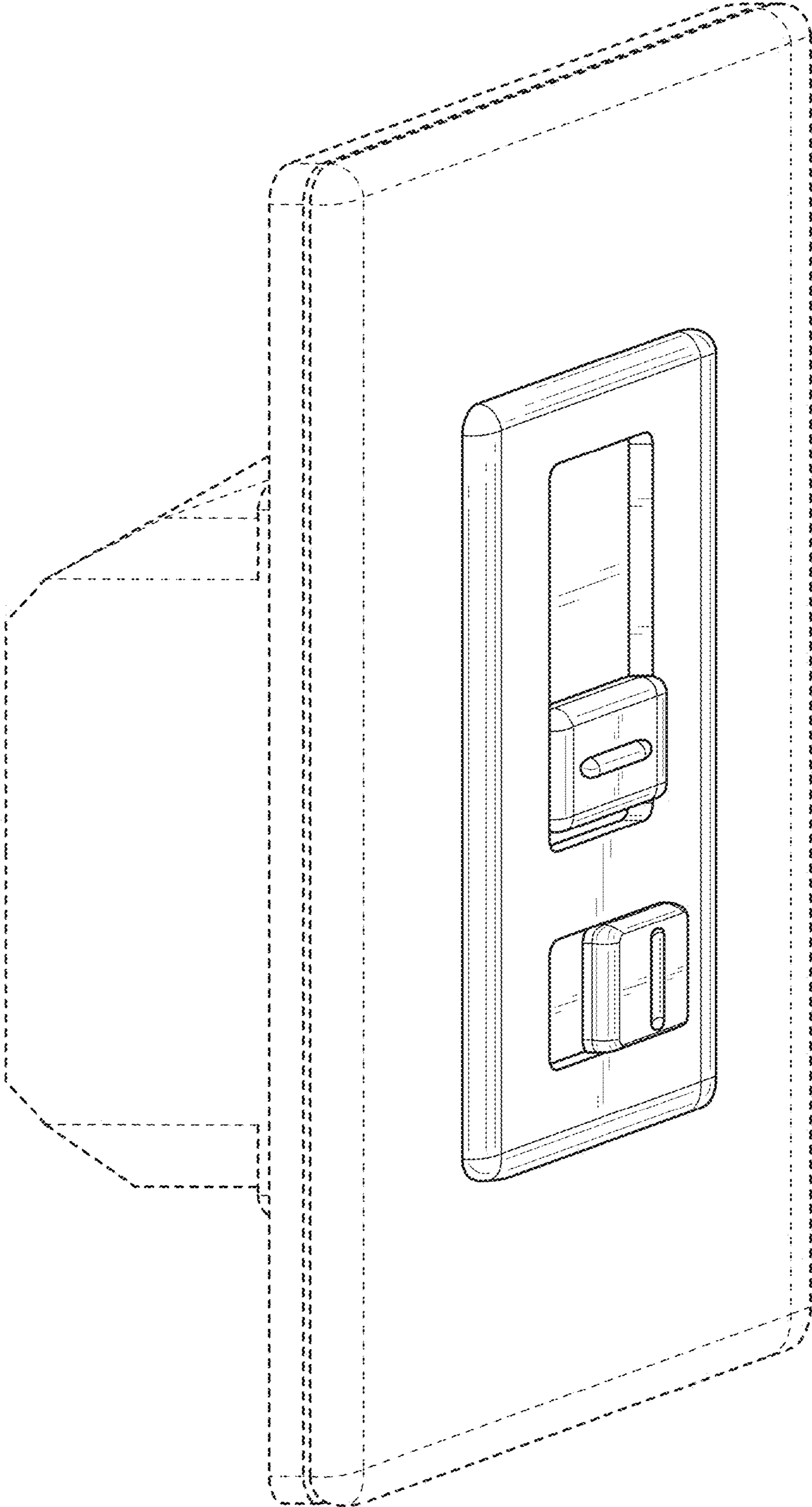


FIG. 1

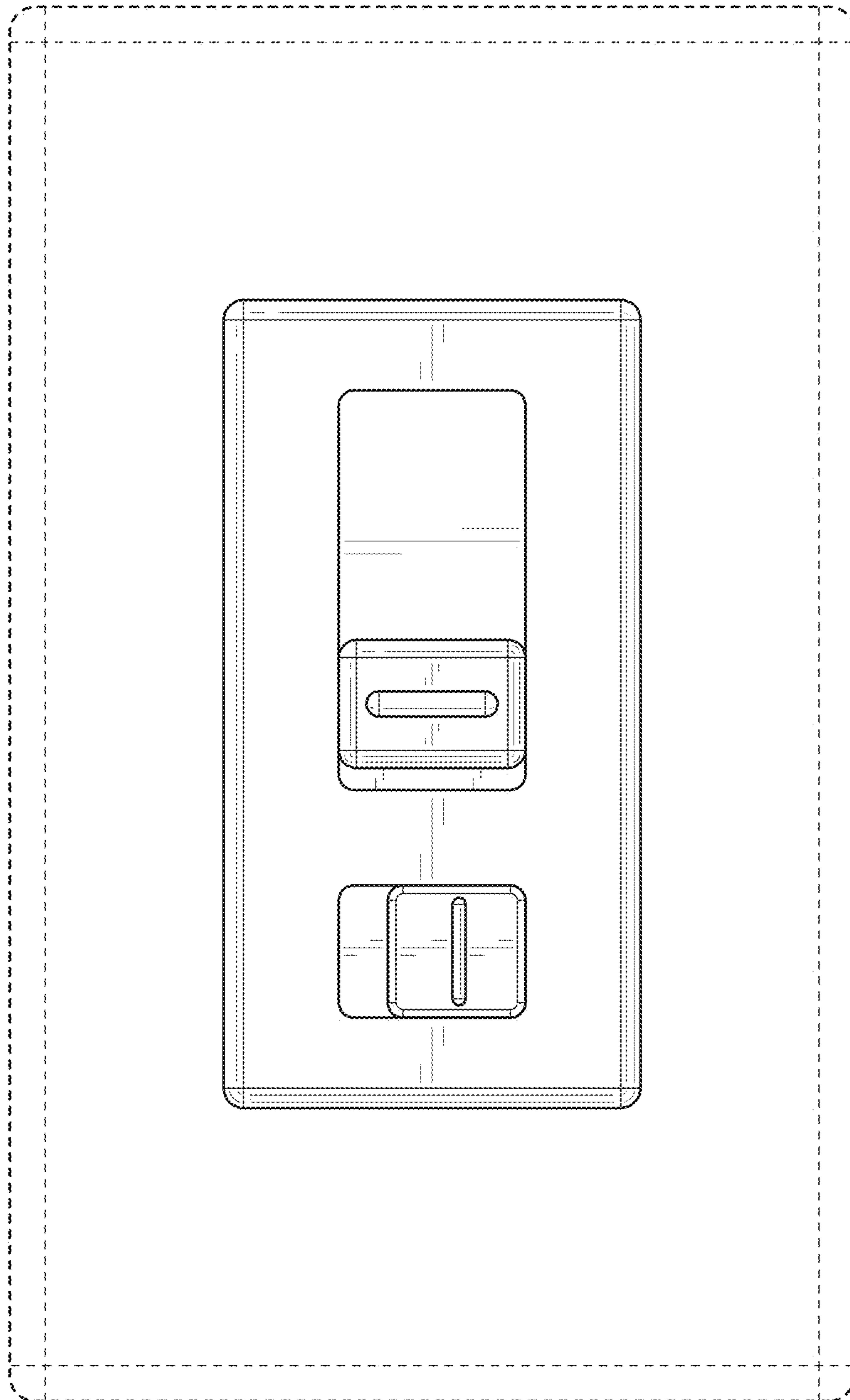


FIG. 2

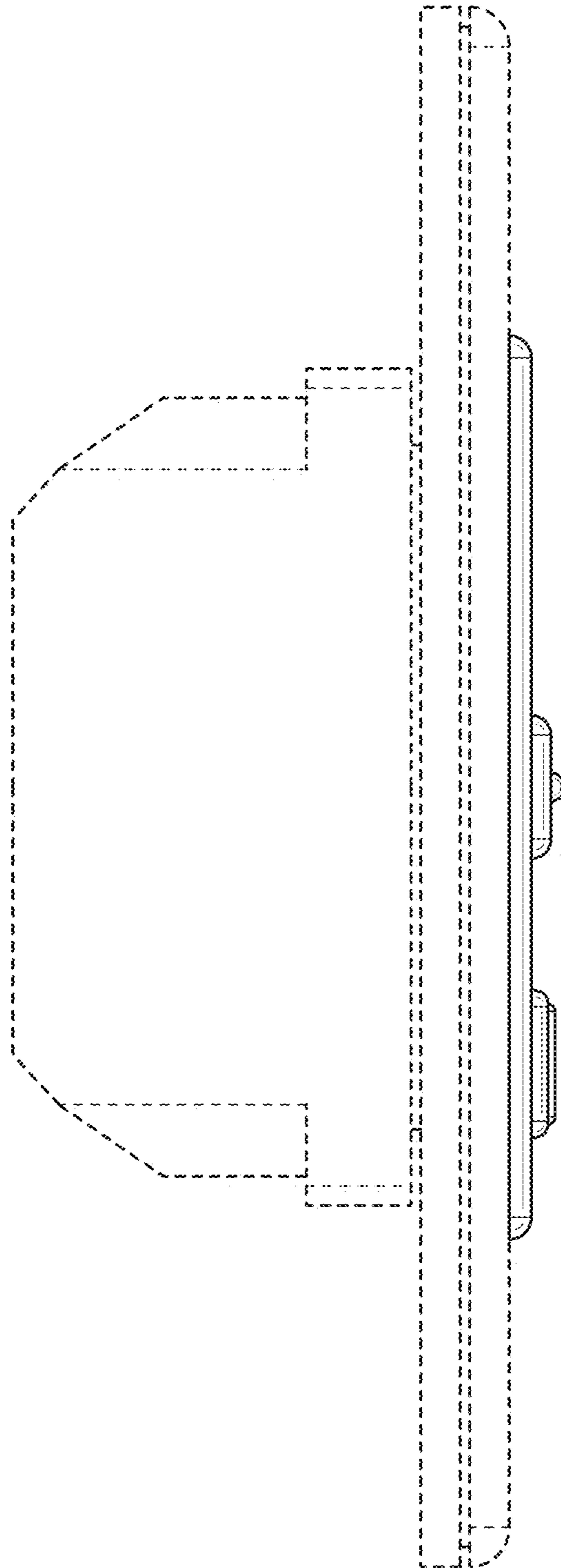


FIG. 3