



US00D906265S

(12) **United States Design Patent** (10) **Patent No.:** **US D906,265 S**
Young (45) **Date of Patent:** **** Dec. 29, 2020**

| | |
|---|--|
| (54) FAN SPEED WALL CONTROL | 4,972,045 A * 11/1990 Primeau H01H 15/10 174/66 |
| (71) Applicant: WAVELENGTH INVESTMENTS, LLC, Stafford, TX (US) | D329,635 S * 9/1992 Tsai D13/110 D335,282 S * 5/1993 Jurell D13/170 5,338,910 A * 8/1994 Tsai H01H 15/00 200/292 |
| (72) Inventor: U Lai Young, Taipei (TW) | D384,038 S * 9/1997 Ko D13/162 D405,061 S * 2/1999 Thomas D13/125 |
| (73) Assignee: WAVELENGTH INVESTMENTS, LLC, Stafford, TX (US) | D541,222 S * 4/2007 Mayo D13/162 D597,496 S * 8/2009 Samuels D13/170 D630,595 S * 1/2011 Samuels D13/170 D797,062 S * 9/2017 Hakkarainen D13/170 D839,217 S * 1/2019 Hakkarainen D13/170 |
| (**) Term: 15 Years | 2016/0233785 A1 * 8/2016 Newman, Jr. H02M 5/293 2019/0346162 A1 * 11/2019 Borders F04D 27/004 |
| (21) Appl. No.: 29/705,479 | |

(22) Filed: **Sep. 12, 2019**

(51) **LOC (12) Cl.** **13-03**

(52) **U.S. Cl.**
USPC **D13/170**

(58) **Field of Classification Search**
USPC D13/162, 168, 171, 173, 174, 170
CPC .. H01H 9/02; H01H 9/16; H01H 9/18; H01H 9/181; H01H 9/182; H01H 13/023; H01H 13/04; H01H 13/06; H01H 2009/187; H01H 15/02; H01H 15/025; H01H 15/04; H01H 15/06; H01H 15/10; H05B 39/02; H05B 39/04; H05B 39/085; H05B 39/086; H05B 39/088; G08C 17/02; H03K 17/962
See application file for complete search history.

(56) **References Cited**

U.S. PATENT DOCUMENTS

| | |
|---------------------------------------|-----------------------|
| 4,803,380 A * 2/1989 Jacoby, Jr. | H01H 9/52 307/157 |
| 4,880,950 A * 11/1989 Carson | H01H 15/10 200/547 |
| D307,578 S * 5/1990 Carson | D13/158 |
| 4,939,383 A * 7/1990 Tucker | H01C 10/50 307/139 |

OTHER PUBLICATIONS

Fanimation, "CW7WH Wall Control 5-Fan—Controls and Remotes", webpage extraction, "https://www.fanimation.com/products/index.php/controls-remotes/wall-control-5-fan.html", extracted Jan. 31, 2020.

* cited by examiner

Primary Examiner — Selina Sikder
(74) *Attorney, Agent, or Firm* — Charles Knobloch

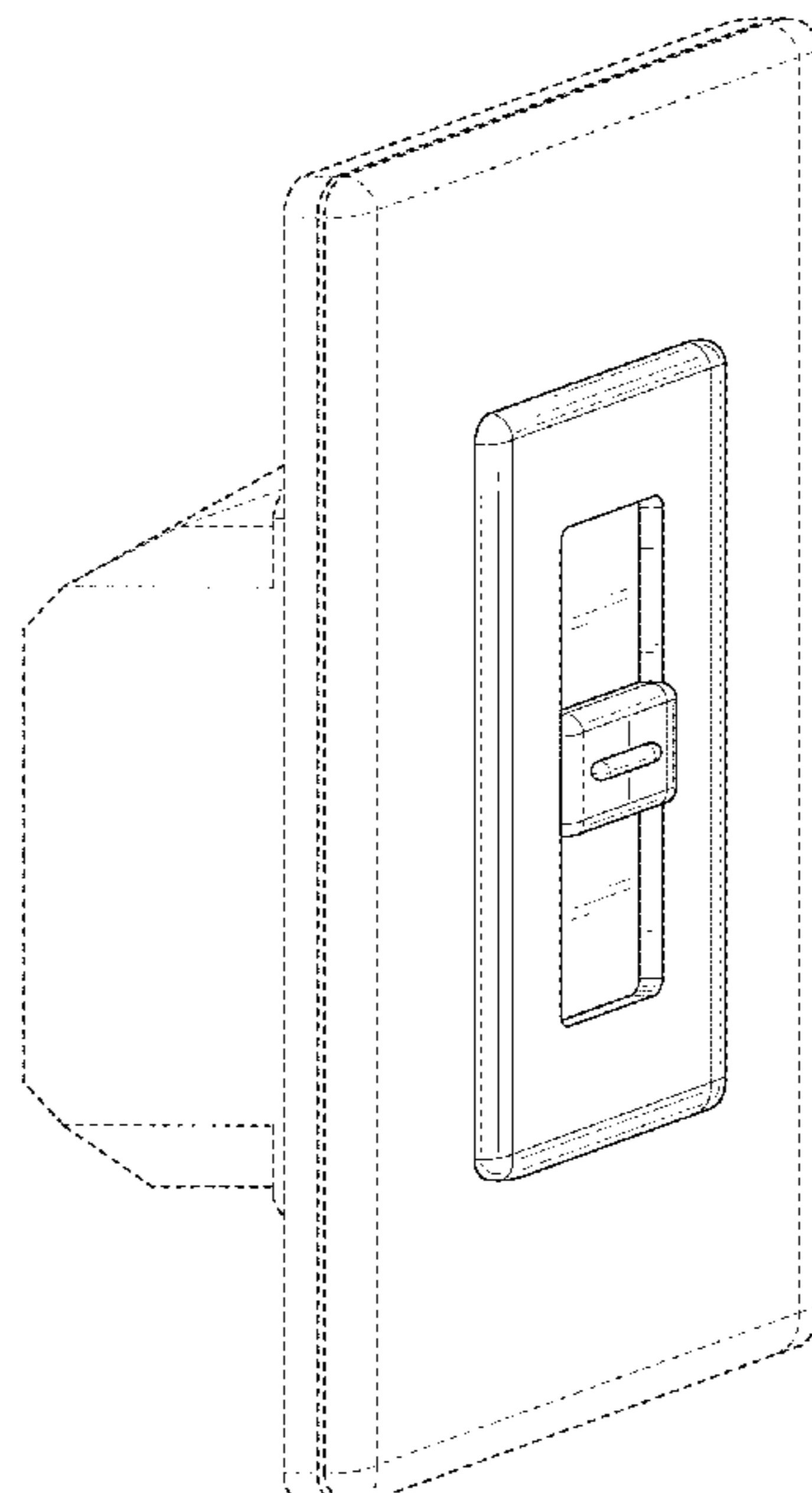
(57) **CLAIM**

The ornamental design for a fan speed wall control, as shown and described.

DESCRIPTION

FIG. 1 is a perspective view of the fan speed wall control. FIG. 2 is a front view of the fan speed wall control; and, FIG. 3 is a side view of the fan speed wall control. The broken lines in the drawings depict portions of the fan speed wall control that form no part of the claim.

1 Claim, 3 Drawing Sheets



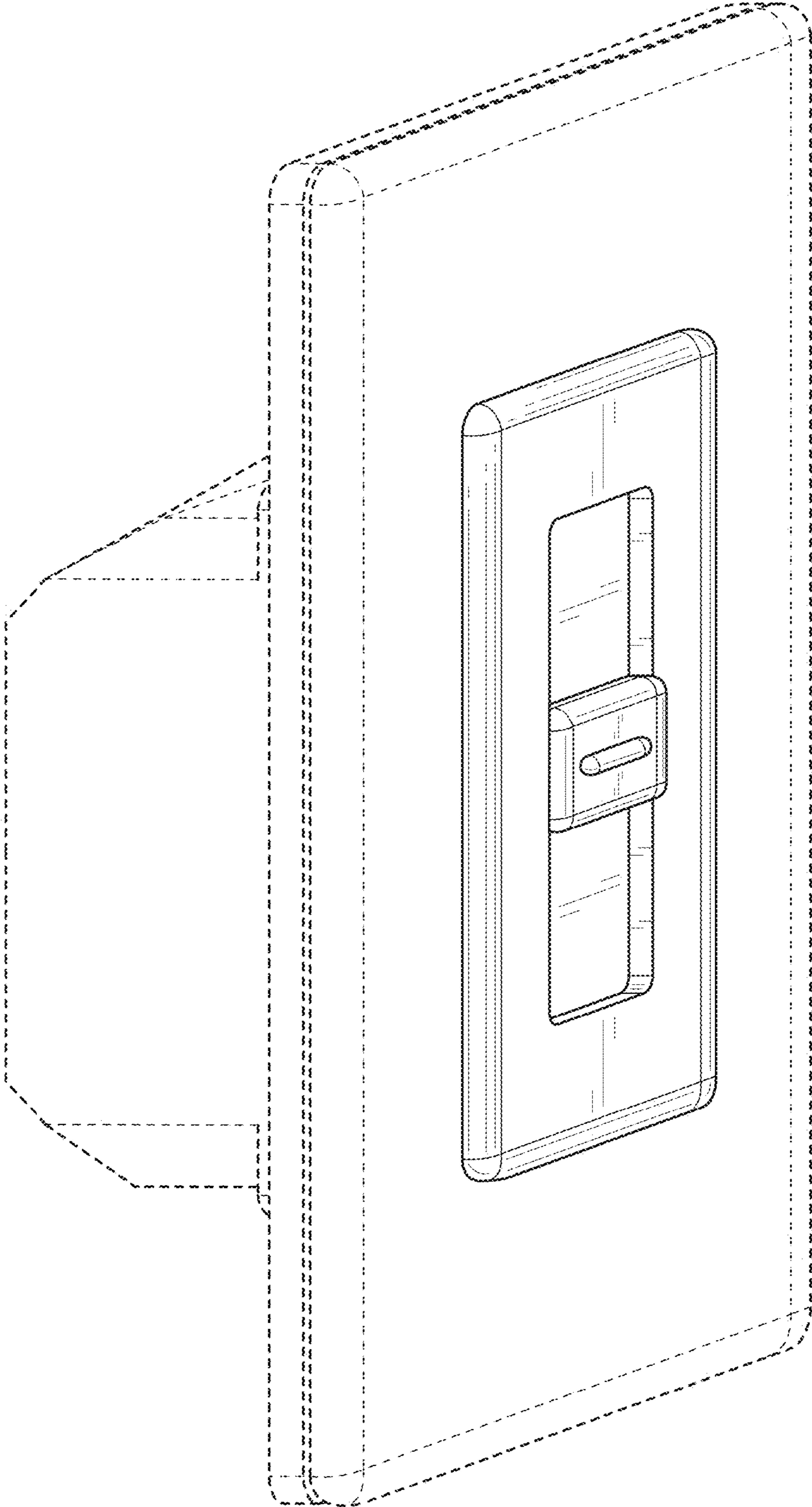


FIG. 1

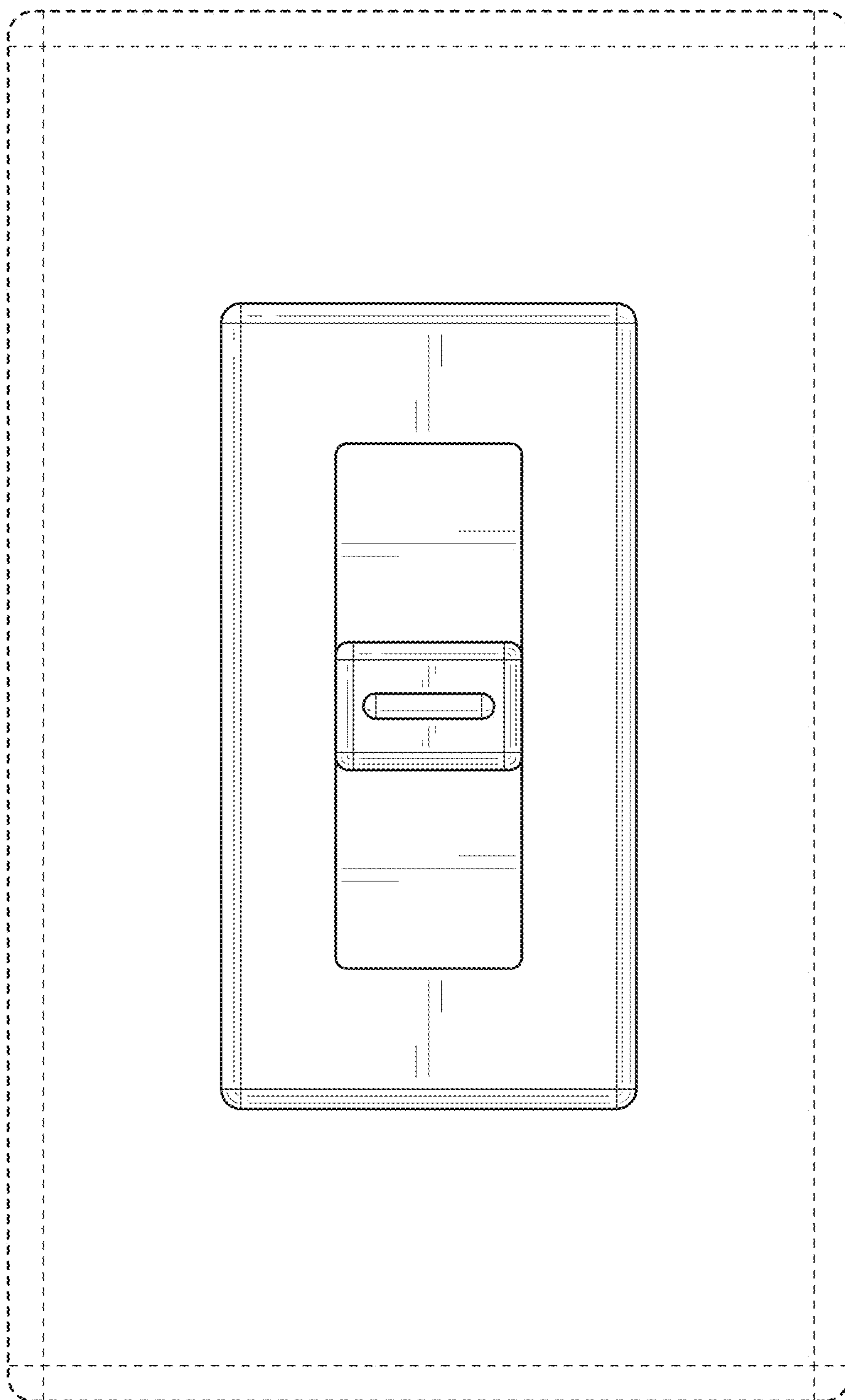


FIG. 2

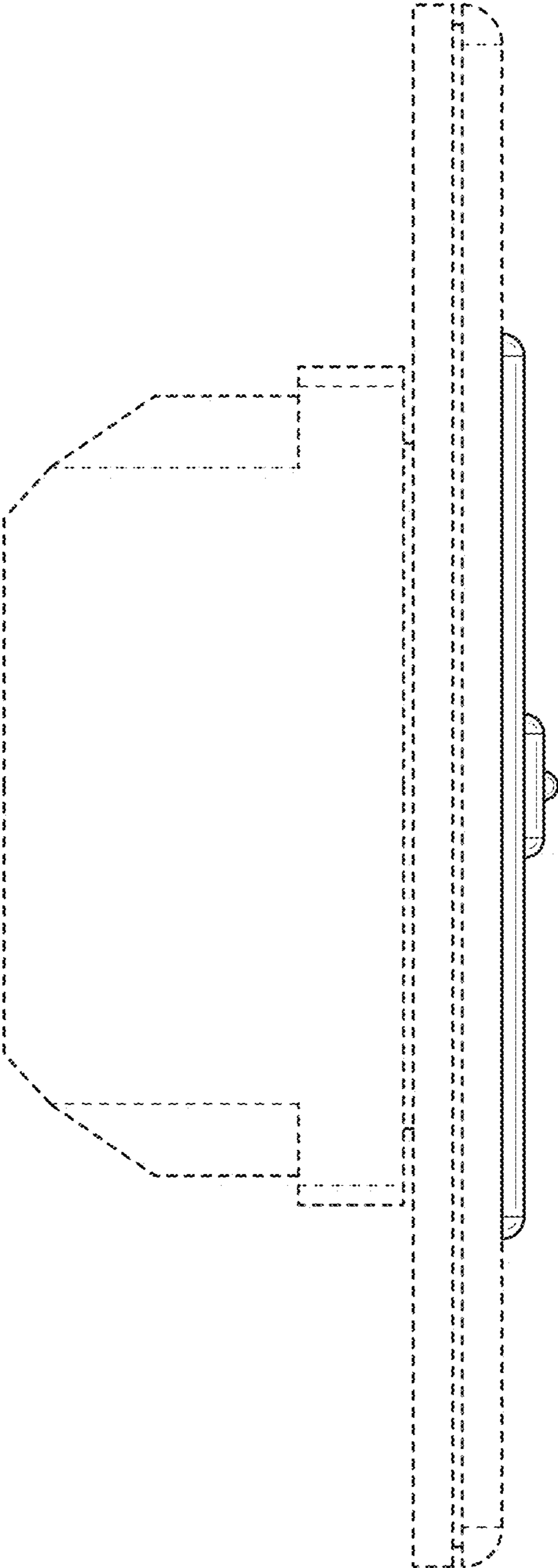


FIG. 3