



US00D906263S

(12) **United States Design Patent**  
**Scarleski**

(10) **Patent No.:** **US D906,263 S**

(45) **Date of Patent:** **\*\* Dec. 29, 2020**

- (54) **FOOT SWITCH WITH MOUNT**
- (71) Applicant: **Levitation Sciences LLC**, Chicago, IL (US)
- (72) Inventor: **William John Scarleski**, Chicago, IL (US)
- (73) Assignee: **Levitation Sciences LLC**, Chicago, IL (US)

D407,379	S	*	3/1999	Schwaegerle	.....	D13/167
D463,380	S	*	9/2002	Holloway	.....	D13/167
6,969,811	B1	*	11/2005	Lai	.....	H01H 9/161 200/61.85
D519,467	S	*	4/2006	Chow	.....	D13/167
D556,153	S	*	11/2007	Burnside	.....	D13/167
D660,255	S	*	5/2012	James	.....	D13/167
2011/0259725	A1	*	10/2011	Giordano	.....	B66D 1/46 200/5 E
2015/0230879	A1	*	8/2015	Brown	.....	G05G 23/00 74/512

- (\*\*) Term: **15 Years**
- (21) Appl. No.: **29/701,239**
- (22) Filed: **Aug. 9, 2019**
- (51) **LOC (12) Cl.** ..... **13-03**
- (52) **U.S. Cl.**  
USPC ..... **D13/167**
- (58) **Field of Classification Search**  
USPC ..... D13/164, 167; D15/72; D17/20, 99;  
D24/179  
CPC ..... G10H 1/0008; G10H 1/0556; G10H 1/32;  
G10H 1/34; G10H 1/344; G10H 1/46;  
G10H 1/146; G10H 1/348; H01H 211/26;  
H01H 13/14; H01H 13/16; A61B  
2017/00973  
See application file for complete search history.

(56) **References Cited**

**U.S. PATENT DOCUMENTS**

3,855,704	A	*	12/1974	Booth	.....	A61C 1/0023 433/101
D264,973	S	*	6/1982	Hanyu	.....	D15/72
4,751,354	A	*	6/1988	Walthall	.....	H01H 21/26 200/322
5,132,498	A	*	7/1992	Lee	.....	H01H 13/16 200/523
D379,349	S	*	5/1997	Nichols	.....	D13/167
D380,448	S	*	7/1997	Tung	.....	D13/167

**OTHER PUBLICATIONS**

Harbor Breeze Black In-Line Cord Switch; Jun. 15, 2017; 2 pgs.\*

\* cited by examiner

*Primary Examiner* — Selina Sikder

(74) *Attorney, Agent, or Firm* — SmithAmundsen LLC

(57) **CLAIM**

The ornamental design for a foot switch with mount, as shown and described.

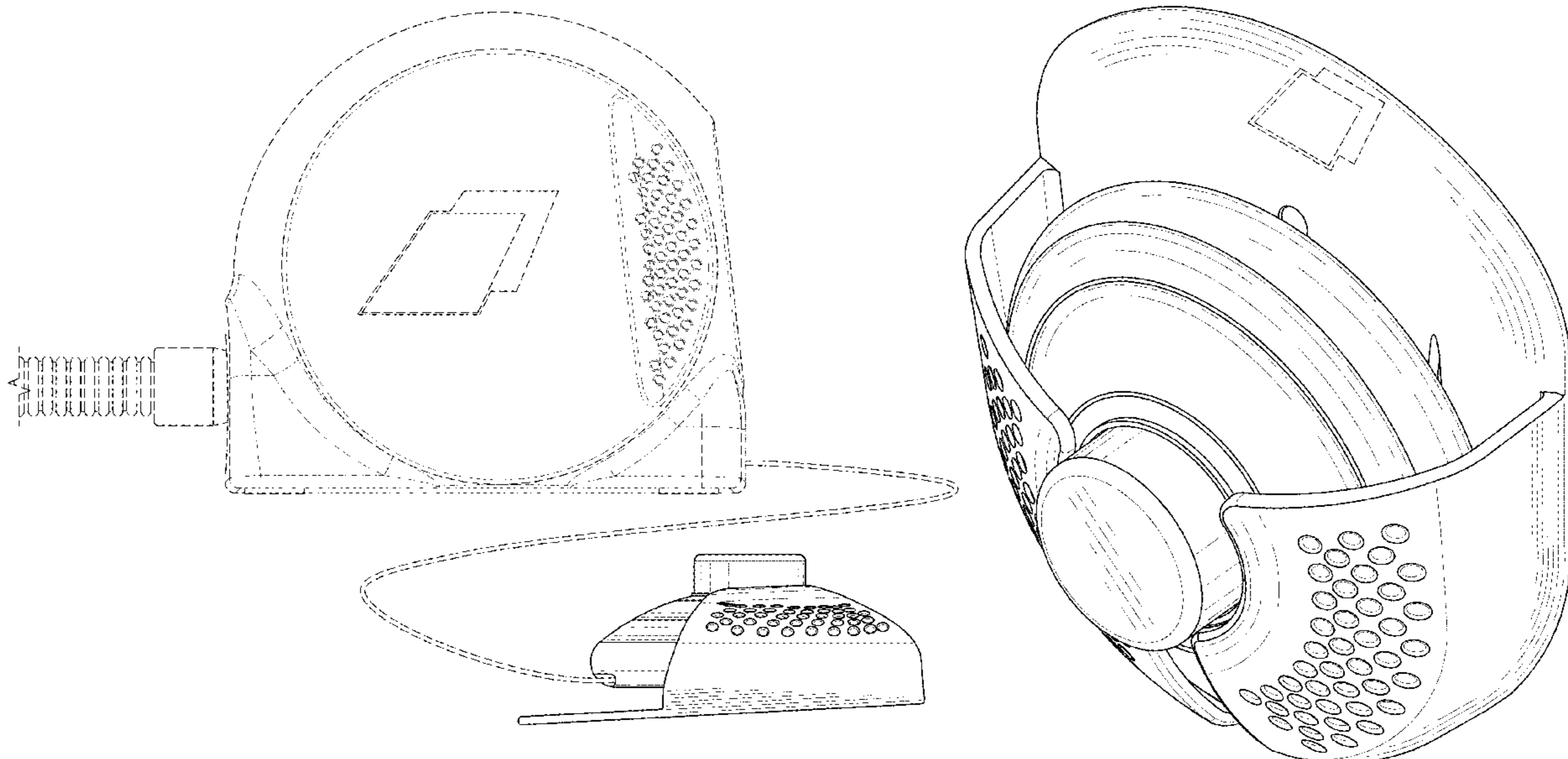
**DESCRIPTION**

FIG. 1 is a left side view of a foot switch with mount illustrating the foot switch mount interacting with a pump; FIG. 2 is a front perspective view of the foot switch with mount;

FIG. 3 is a bottom view of the foot switch with mount; FIG. 4 is a top view of the foot switch with mount; FIG. 5 is a left side view of the foot switch with mount; FIG. 6 is a right side view of the foot switch with mount; FIG. 7 is a front elevation view of the foot switch with mount; and,

FIG. 8 is a rear elevation of the foot switch with mount. The broken lines shown in the drawings are for illustrative purposes only and forms no part of the claimed design.

**1 Claim, 8 Drawing Sheets**



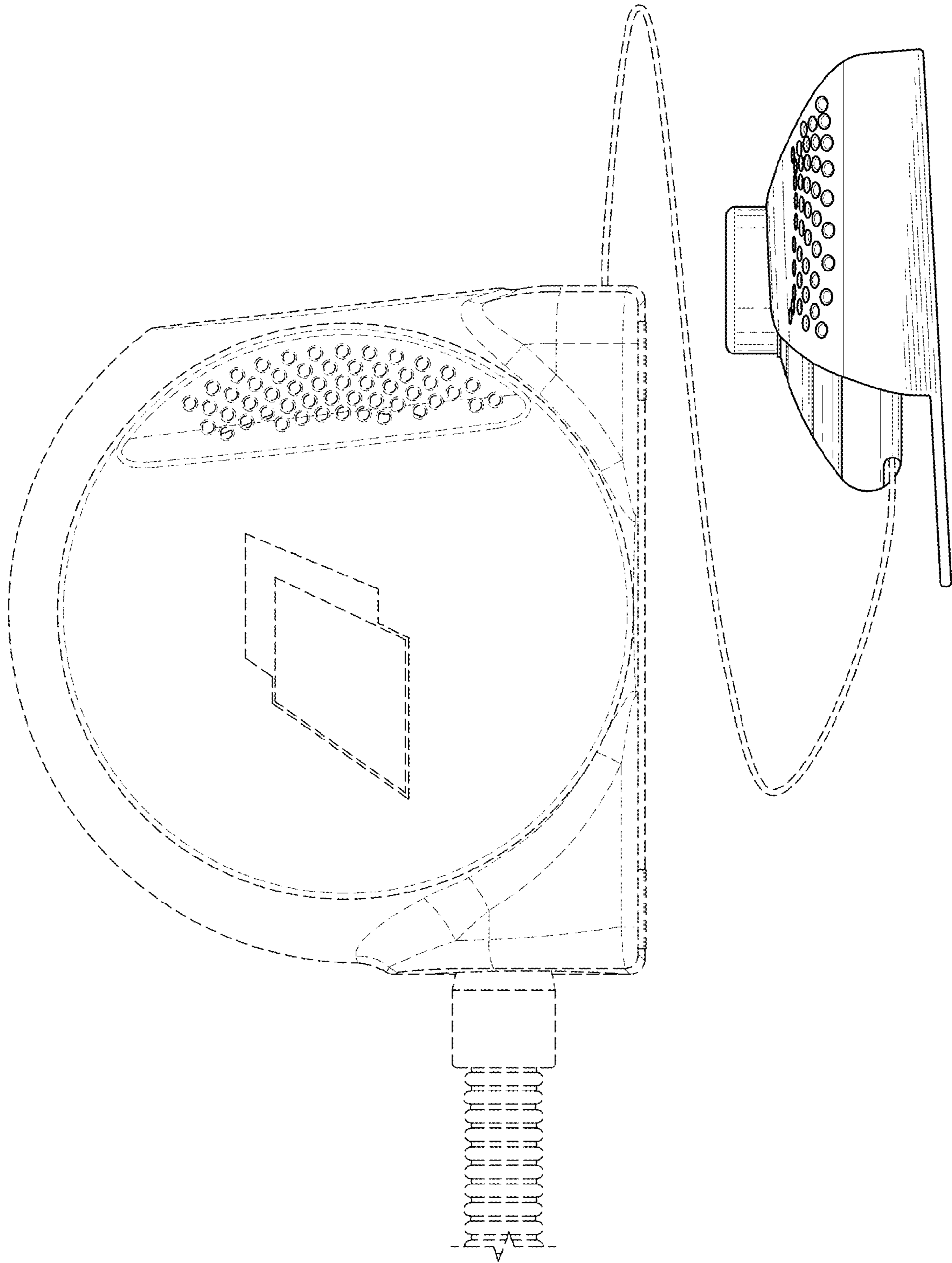


FIG. 1

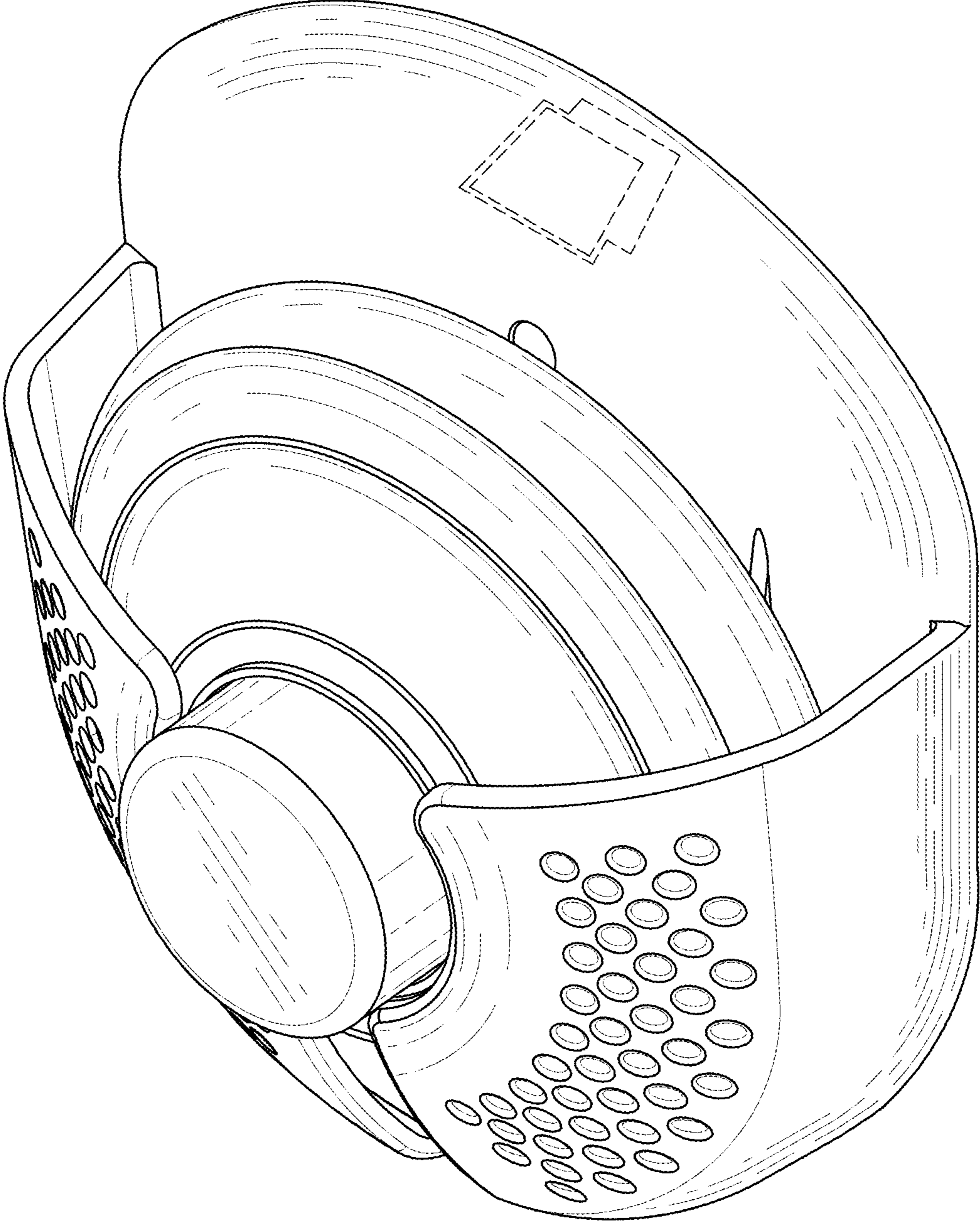


FIG. 2

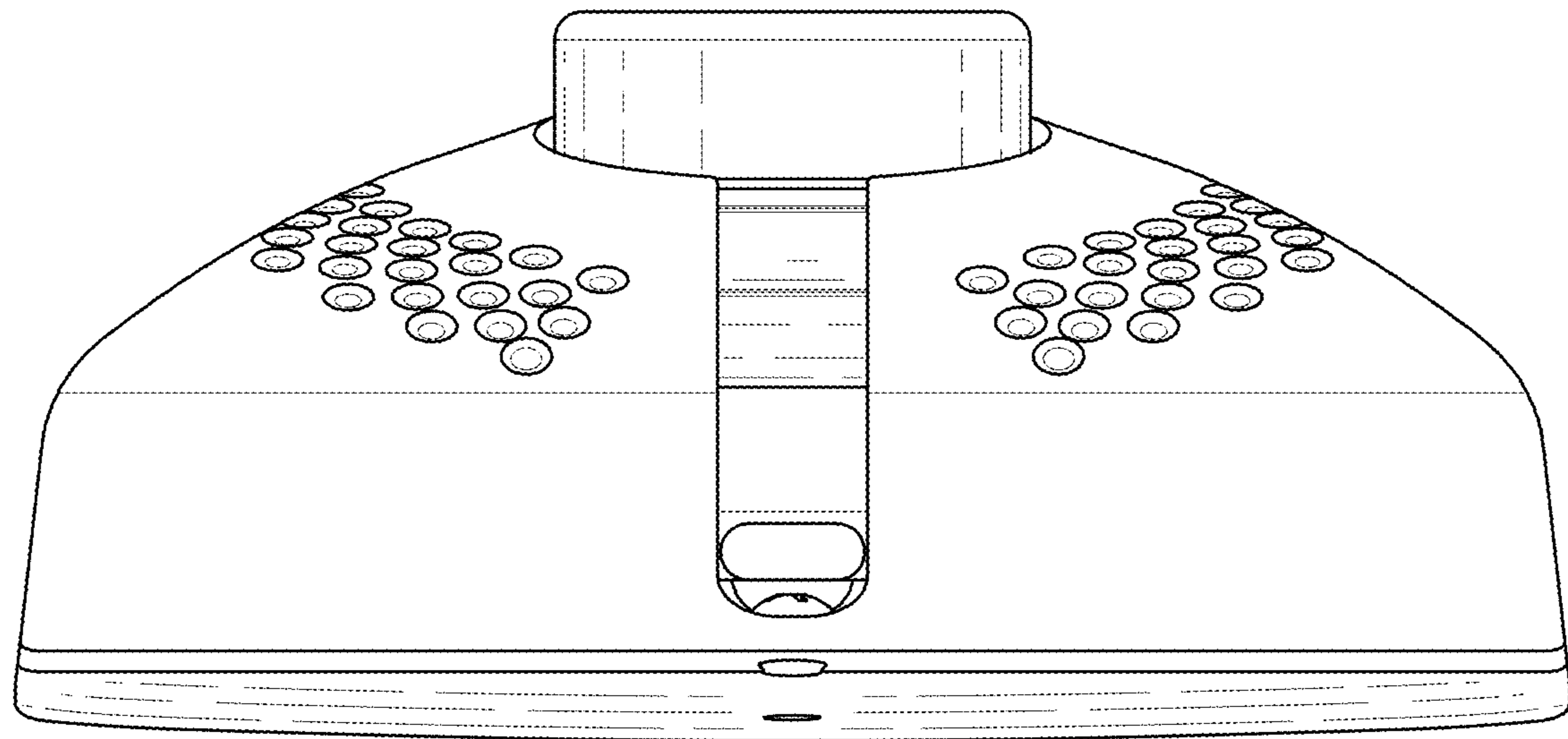


FIG. 3

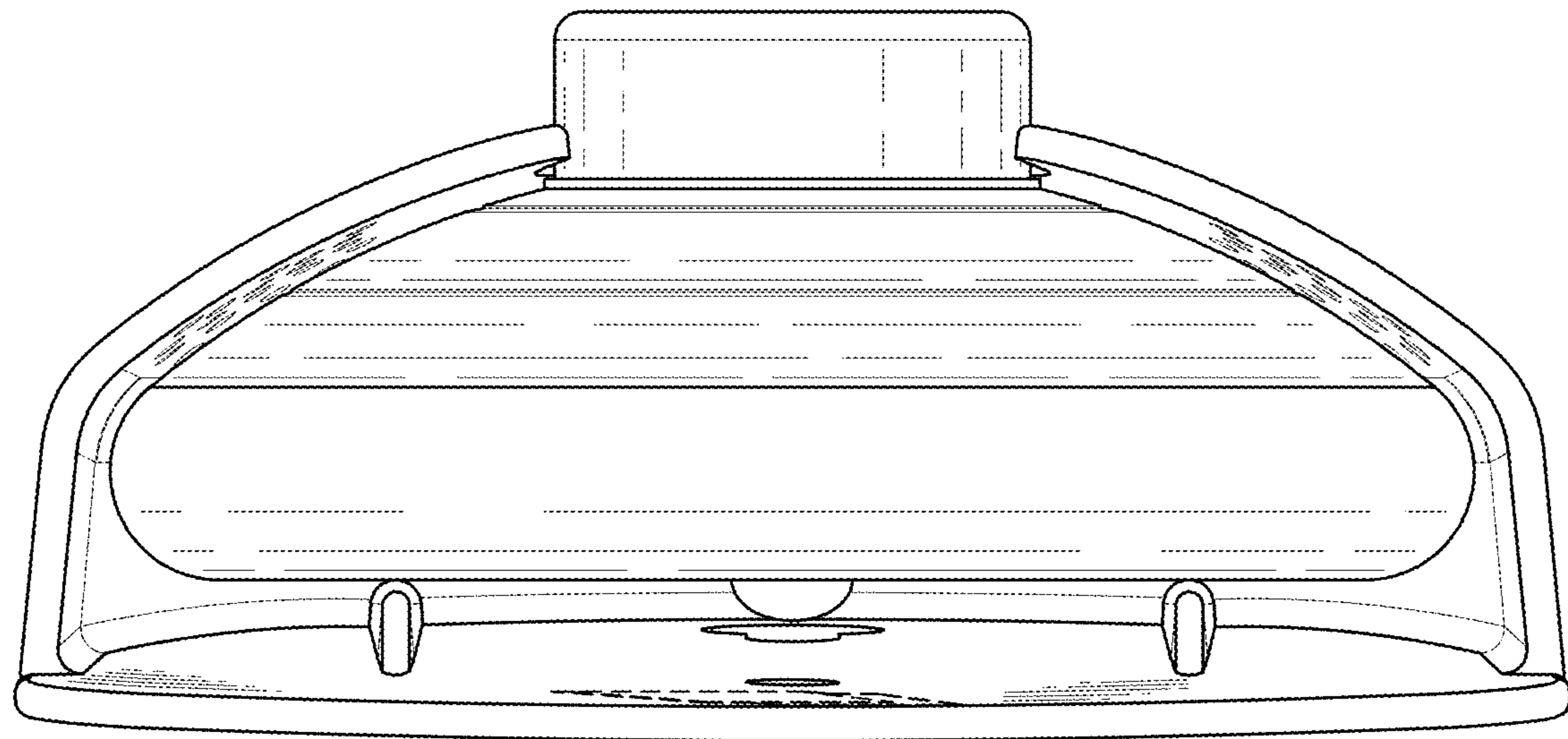


FIG. 4

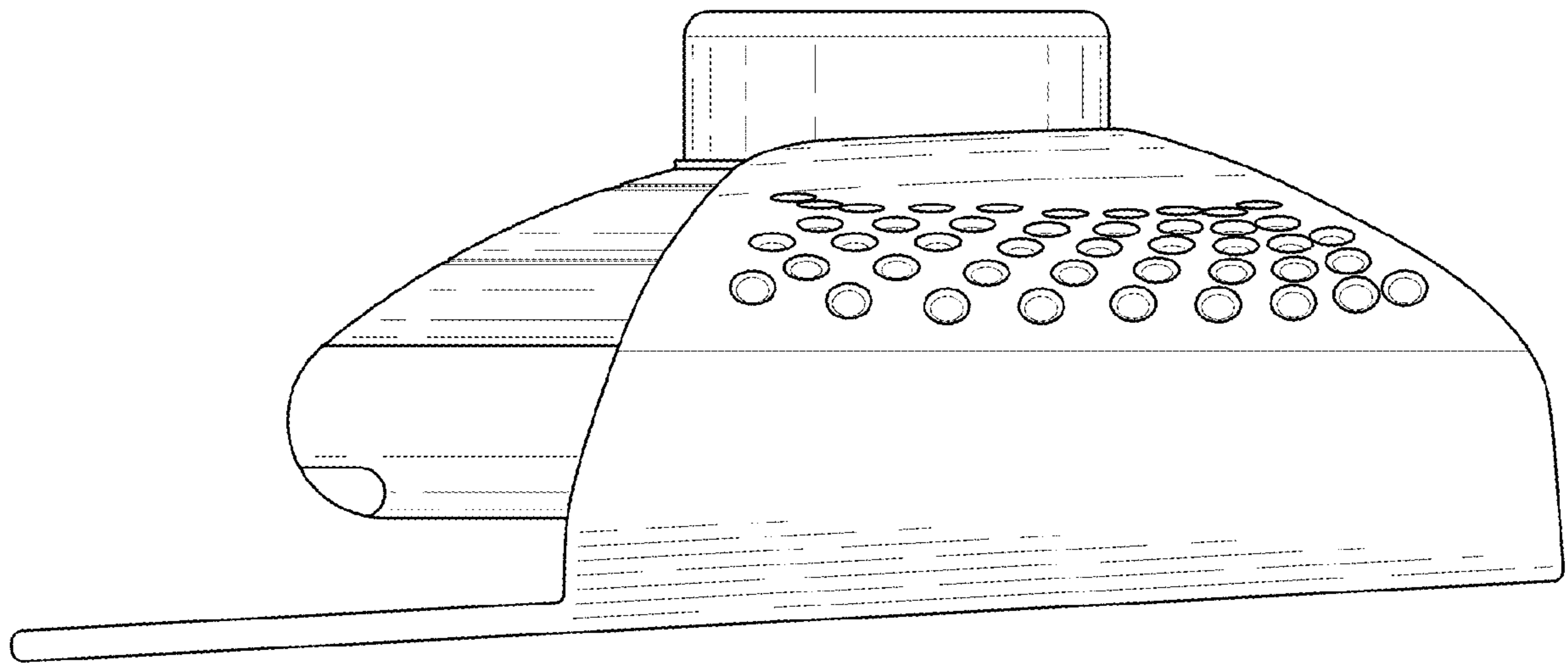


FIG. 5

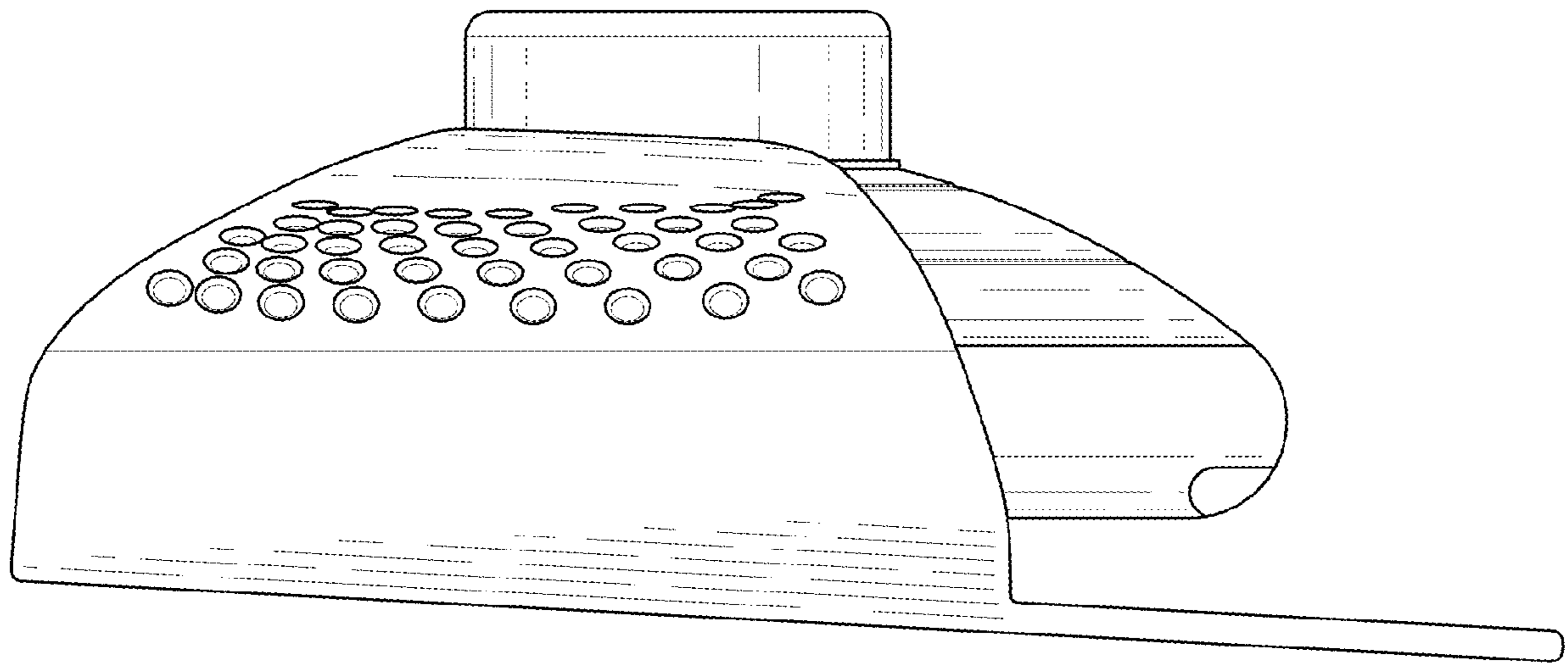


FIG. 6

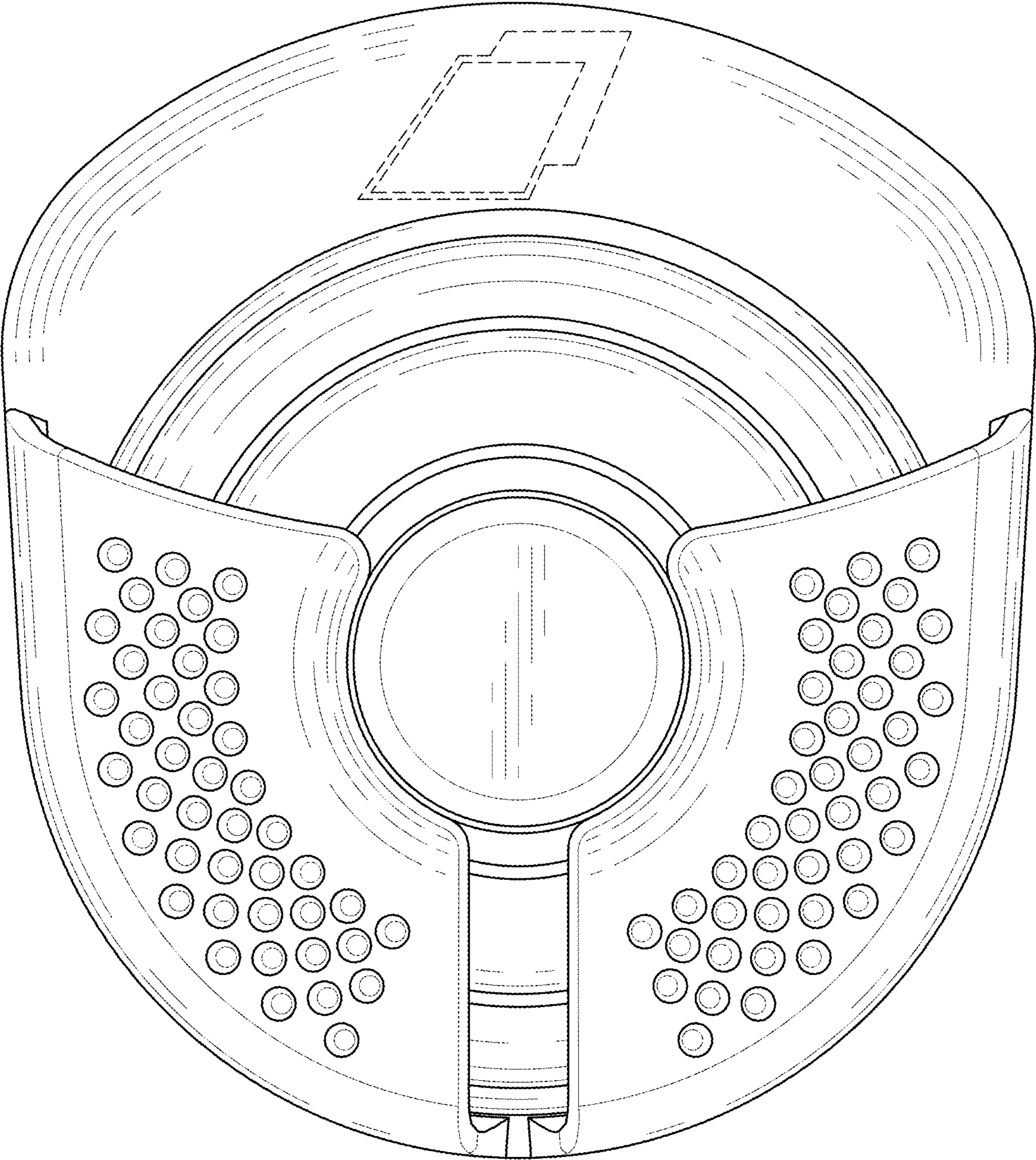


FIG. 7



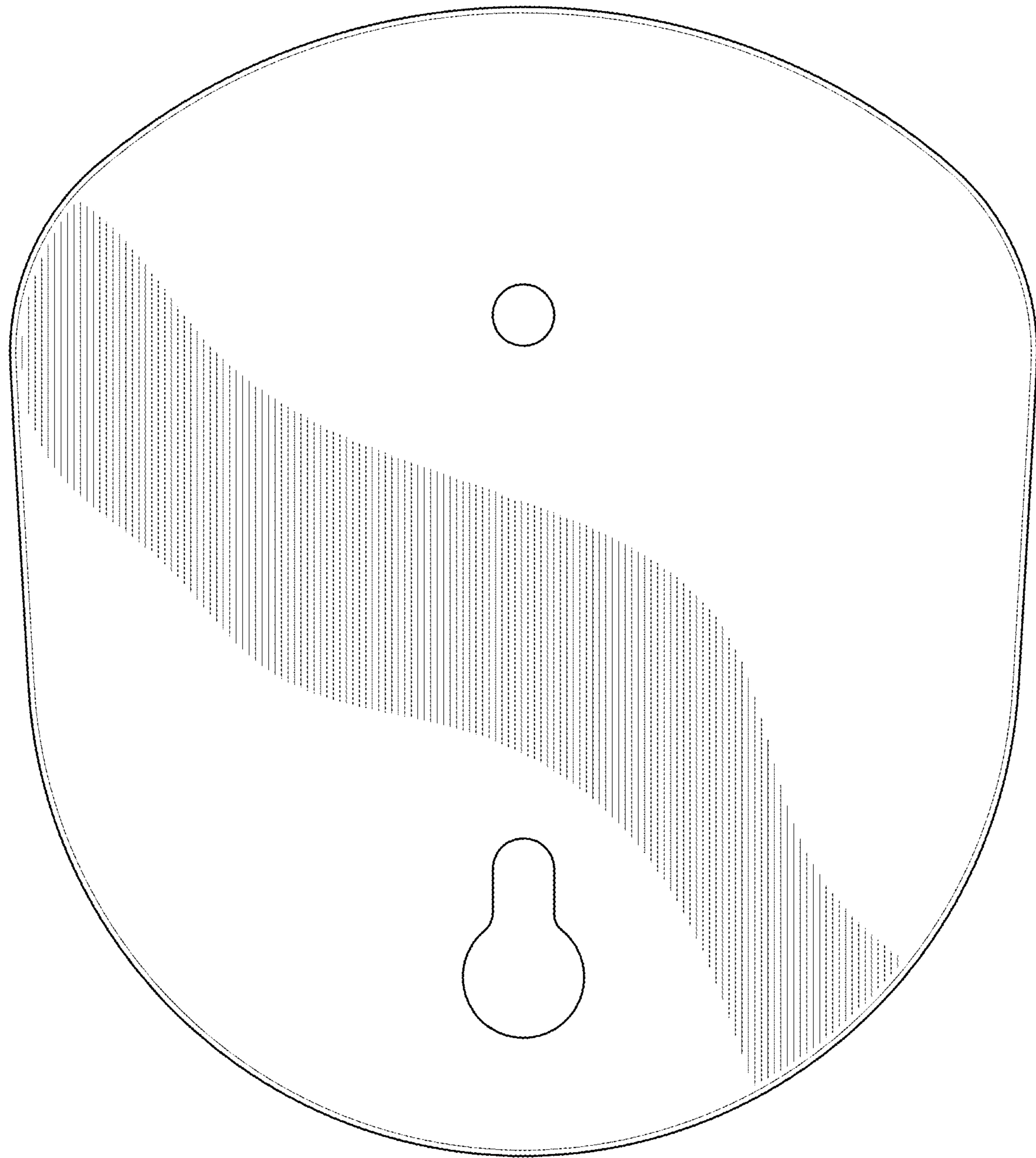


FIG. 8