



US00D906262S

(12) **United States Design Patent** (10) **Patent No.:** **US D906,262 S**
Suda et al. (45) **Date of Patent:** **** Dec. 29, 2020**

(54) **POSITION DETECTING SWITCH**
(71) Applicant: **SMC CORPORATION**, Tokyo (JP)
(72) Inventors: **Kenji Suda**, Tsukuba (JP); **Daisuke Takaya**, Tsukubamirai (JP)
(73) Assignee: **SMC CORPORATION**, Tokyo (JP)
(**) Term: **15 Years**

(21) Appl. No.: **29/665,440**

(22) Filed: **Oct. 3, 2018**

(30) **Foreign Application Priority Data**

Apr. 4, 2018 (CN) 2018 3 0132462

(51) **LOC (12) Cl.** **13-03**

(52) **U.S. Cl.**
USPC **D13/158**

(58) **Field of Classification Search**
USPC D13/110, 118, 123, 133, 154, 158-161,
D13/173, 178, 184, 199
CPC . G01B 7/00; G01B 7/003; G01B 7/14; G01D
11/24; F15B 15/00; F15B 15/28; F15B
15/2892; H01C 10/30; H01H 3/16; H01H
1/42; H01H 9/16; H05K 7/00; H05K
7/02; H05K 7/04
See application file for complete search history.

(56) **References Cited**

U.S. PATENT DOCUMENTS

4,221,975 A * 9/1980 Ledniczki H03K 17/962
307/116
5,118,910 A * 6/1992 Duhon H01H 3/142
200/275
5,413,505 A * 5/1995 Hayes H01H 85/24
439/620.3
D656,169 S * 3/2012 Fukano D15/143
D689,445 S * 9/2013 Chu D13/158
D738,827 S * 9/2015 Lo D13/154

2002/0014128 A1* 2/2002 Kroll F15B 15/2807
73/866.5
2002/0100336 A1* 8/2002 Sakurai F15B 15/2807
73/866.5
2004/0031385 A1* 2/2004 Neuhaeuser F15B 15/2892
92/5 R
2005/0194239 A1* 9/2005 Terasaki F15B 15/2892
200/61.39
2013/0263733 A1* 10/2013 Machijima F15B 15/28
92/5 R

(Continued)

FOREIGN PATENT DOCUMENTS

CN 302908451 S 8/2014
CN 304431106 S 12/2017

Primary Examiner — Shawn T Gingrich

(74) *Attorney, Agent, or Firm* — Birch, Stewart, Kolasch & Birch, LLP

(57) **CLAIM**

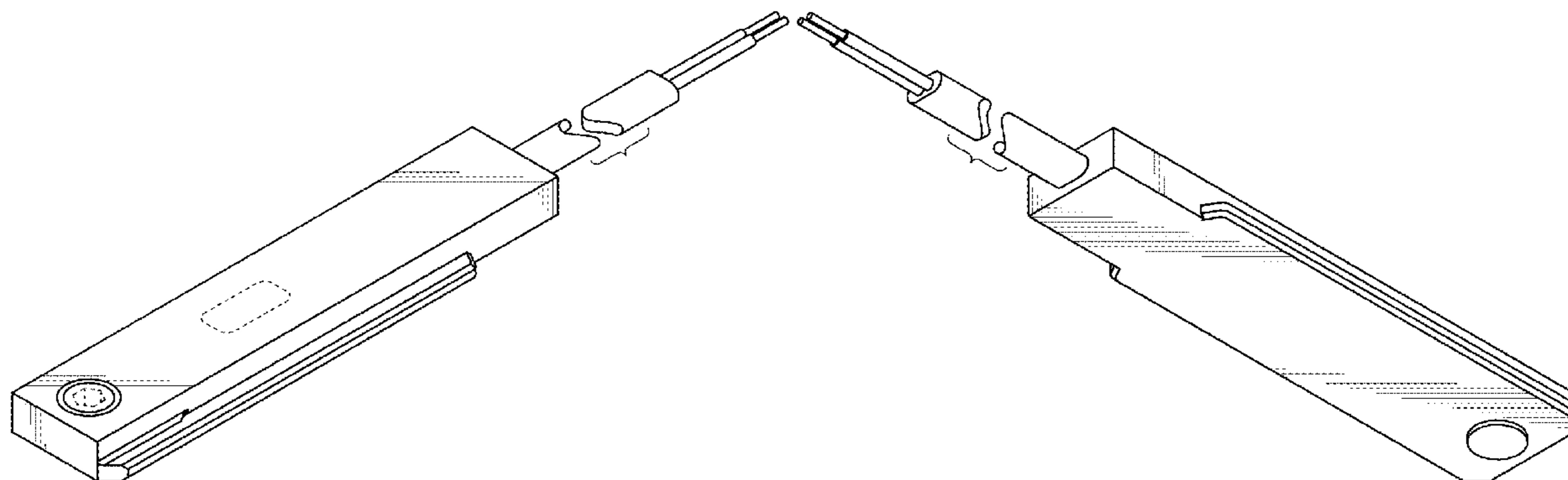
The ornamental design for a position detecting switch, as shown and described.

DESCRIPTION

FIG. 1 is a front, top and left side perspective view of a position detecting switch showing our new design; FIG. 2 is a rear, bottom and right side perspective view thereof; FIG. 3 is a front view thereof; FIG. 4 is a rear view thereof; FIG. 5 is a top plan view thereof; FIG. 6 is a bottom plan view thereof; FIG. 7 is a left side view thereof; and, FIG. 8 is a right side view thereof.

The drawings include a separation and a bracket and the appearance of any portion of the article between the break lines forms no part of the claimed design. The broken lines depict portions of the position detecting switch that form no part of the claimed design.

1 Claim, 8 Drawing Sheets



(56)

References Cited

U.S. PATENT DOCUMENTS

2015/0316396 A1* 11/2015 Mandokoro F15B 15/2892
73/431
2019/0170494 A1* 6/2019 Tiemann G01B 7/003

* cited by examiner

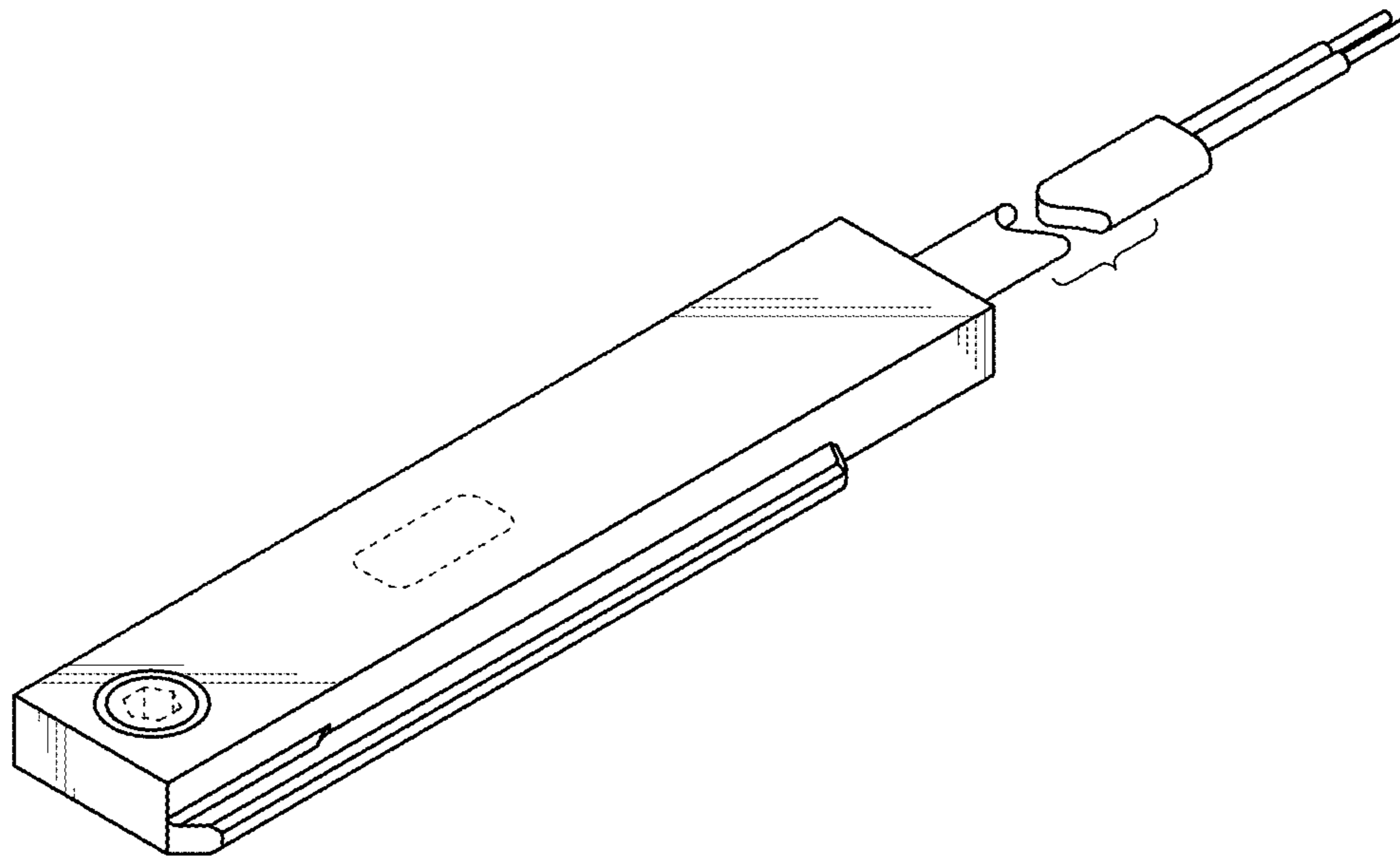


FIG. 1

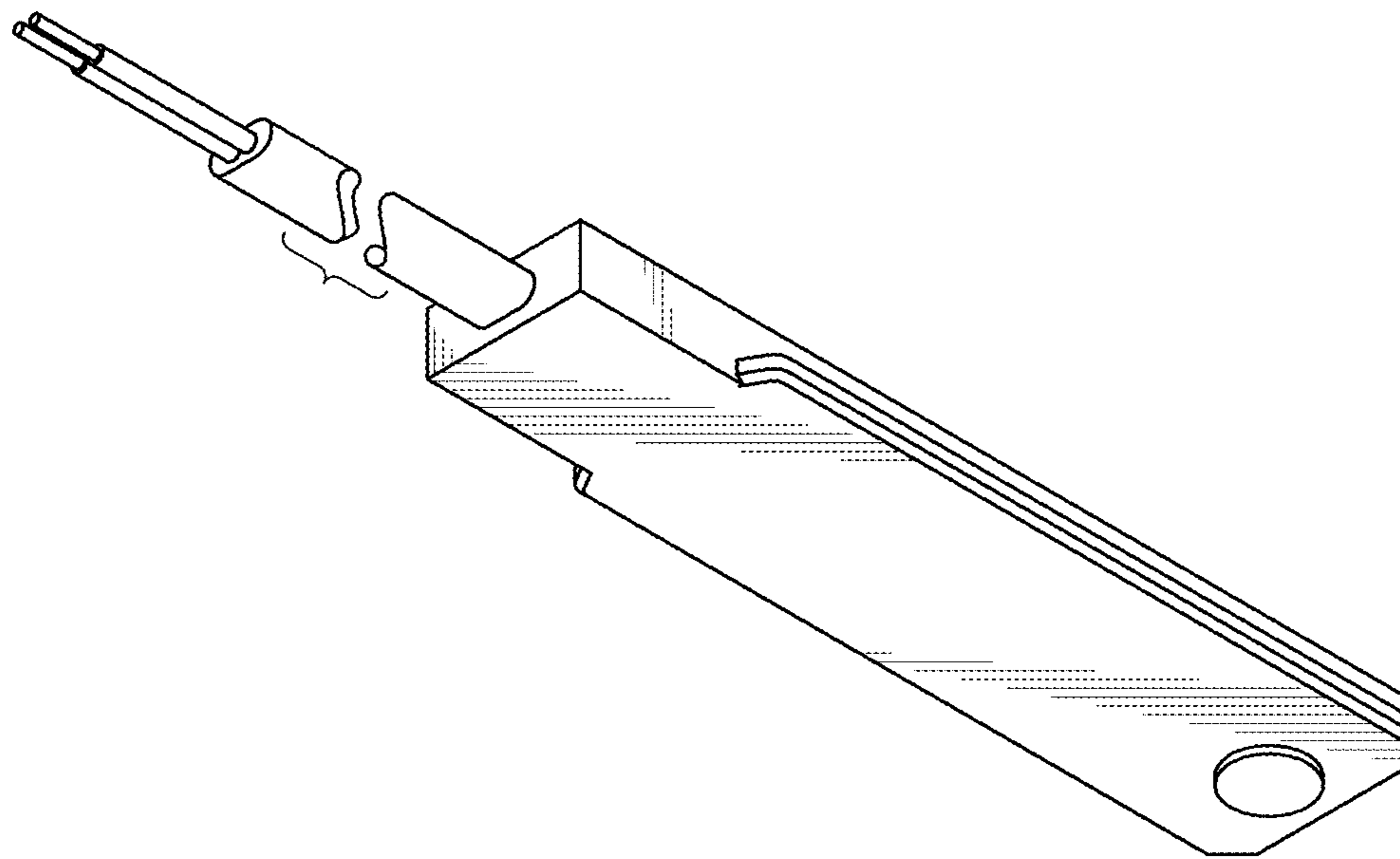


FIG.2

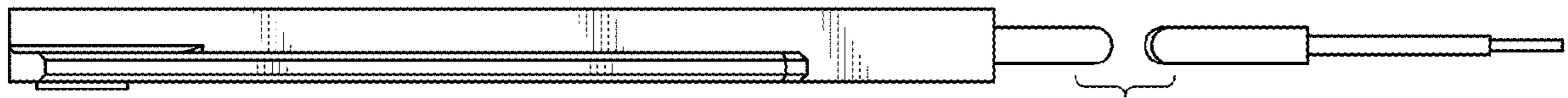


FIG.3

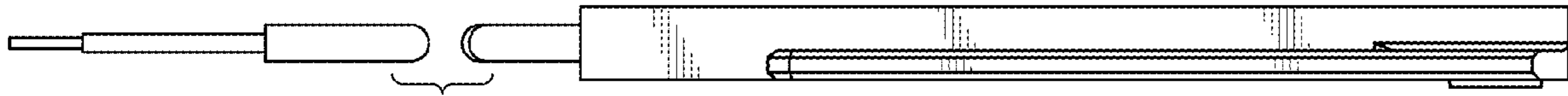


FIG.4

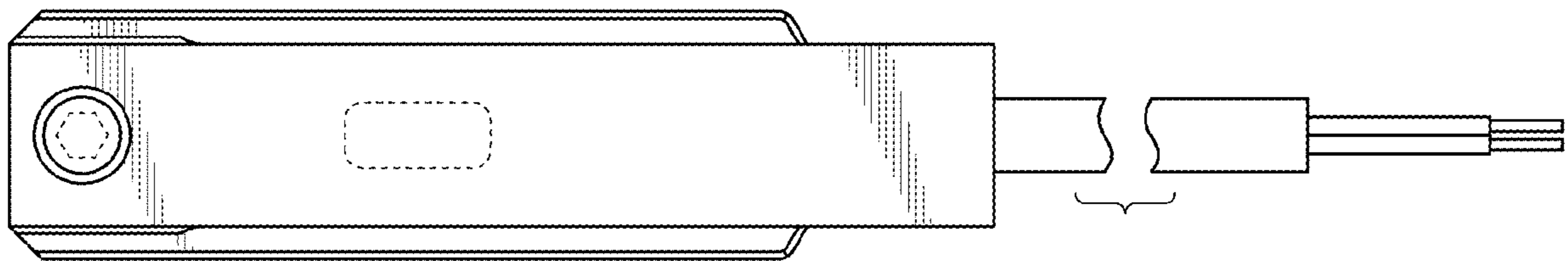


FIG. 5

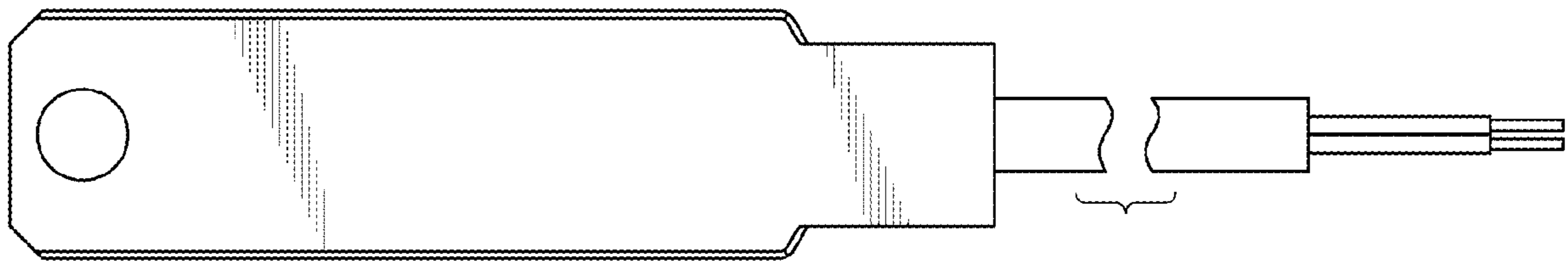


FIG.6



FIG.7



FIG.8