

US00D906260S

(12) **United States Design Patent** (10) **Patent No.:** **US D906,260 S**
Maier (45) **Date of Patent:** **** Dec. 29, 2020**

(54) **SWITCH**
(71) Applicant: **ABB Schweiz AG**, Baden (CH)
(72) Inventor: **Vladimir Maier**, Luedenscheid (DE)
(73) Assignee: **ABB SCHWEIZ AG**, Baden (CH)
(**) Term: **15 Years**
(21) Appl. No.: **29/640,356**
(22) Filed: **Mar. 14, 2018**
(51) **LOC (12) Cl.** **13-03**
(52) **U.S. Cl.**
USPC **D13/158**
(58) **Field of Classification Search**
USPC D13/110, 123, 133, 146, 147, 158-160,
D13/173, 178, 184, 199, 107, 118;
D14/155, 240, 433
CPC H01R 13/00; H01R 13/62; H01R 13/642;
H01R 24/00; H01R 24/84; H05K 5/00;
H05K 5/02; H05K 5/04; H05K 5/023
See application file for complete search history.

D599,754 S * 9/2009 Xie D14/125
D639,758 S * 6/2011 Lee D14/125
D678,258 S * 3/2013 Seto D14/240
D702,239 S * 4/2014 Lee D14/432
D742,856 S * 11/2015 Skjoldborg D14/217
D750,033 S * 2/2016 Privitera D13/184
D769,230 S * 10/2016 Jeon D13/182
D780,605 S * 3/2017 Chen D10/49
D827,455 S * 9/2018 Farenski D10/50
D849,008 S * 5/2019 Wendling D14/434
D856,304 S * 8/2019 Lamb D14/217
D865,540 S * 11/2019 Bach-Esteve D10/50
2019/0296505 A1* 9/2019 Harito H01R 13/642

* cited by examiner

Primary Examiner — Angela J Lee
Assistant Examiner — Shawn T Gingrich
(74) *Attorney, Agent, or Firm* — Leydig, Voit & Mayer,
Ltd.

(57) **CLAIM**

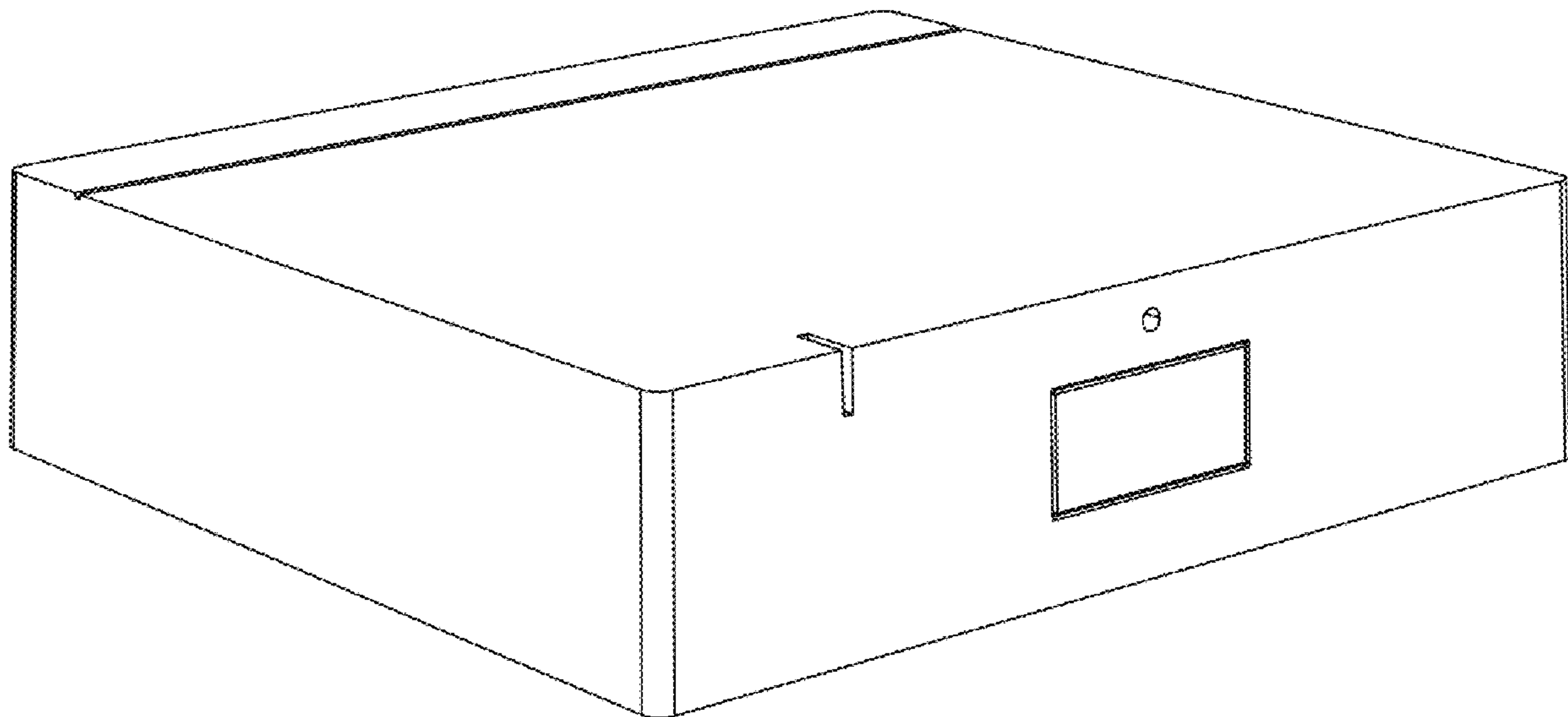
The ornamental design for a switch, as shown and described.

DESCRIPTION

FIG. 1 is a top left front perspective view of the switch showing my new design;
FIG. 2 is a front elevational view thereof;
FIG. 3 is a rear elevational view thereof;
FIG. 4 is a left side elevational view thereof;
FIG. 5 is a right side elevational view thereof;
FIG. 6 is a top plan view thereof, and,
FIG. 7 is a bottom plan view thereof.
The broken lines in the drawings illustrate portions of the switch that form no part of the claimed design.

1 Claim, 7 Drawing Sheets

(56) **References Cited**
U.S. PATENT DOCUMENTS
D258,577 S * 3/1981 Bottner D10/104.1
D314,369 S * 2/1991 Sacherman D13/160
D362,003 S * 9/1995 Claudio D13/184
D490,051 S * 5/2004 Kikumoto D13/102
D504,112 S * 4/2005 Suckle D13/110
D526,282 S * 8/2006 Chen D13/174
D530,316 S * 10/2006 Hsu D14/240
D551,165 S * 9/2007 Albano D13/110
D599,751 S * 9/2009 Zhang D14/125



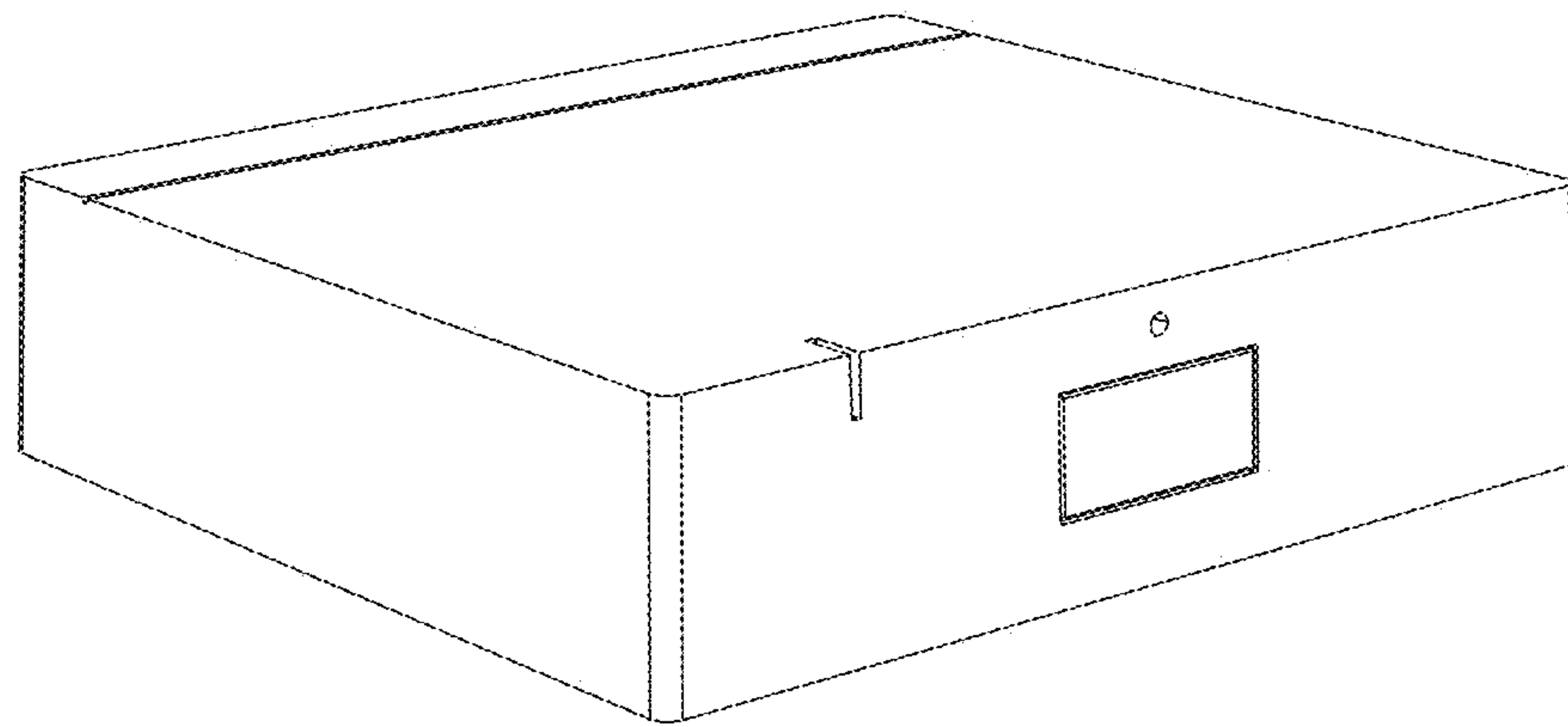


FIG. 1

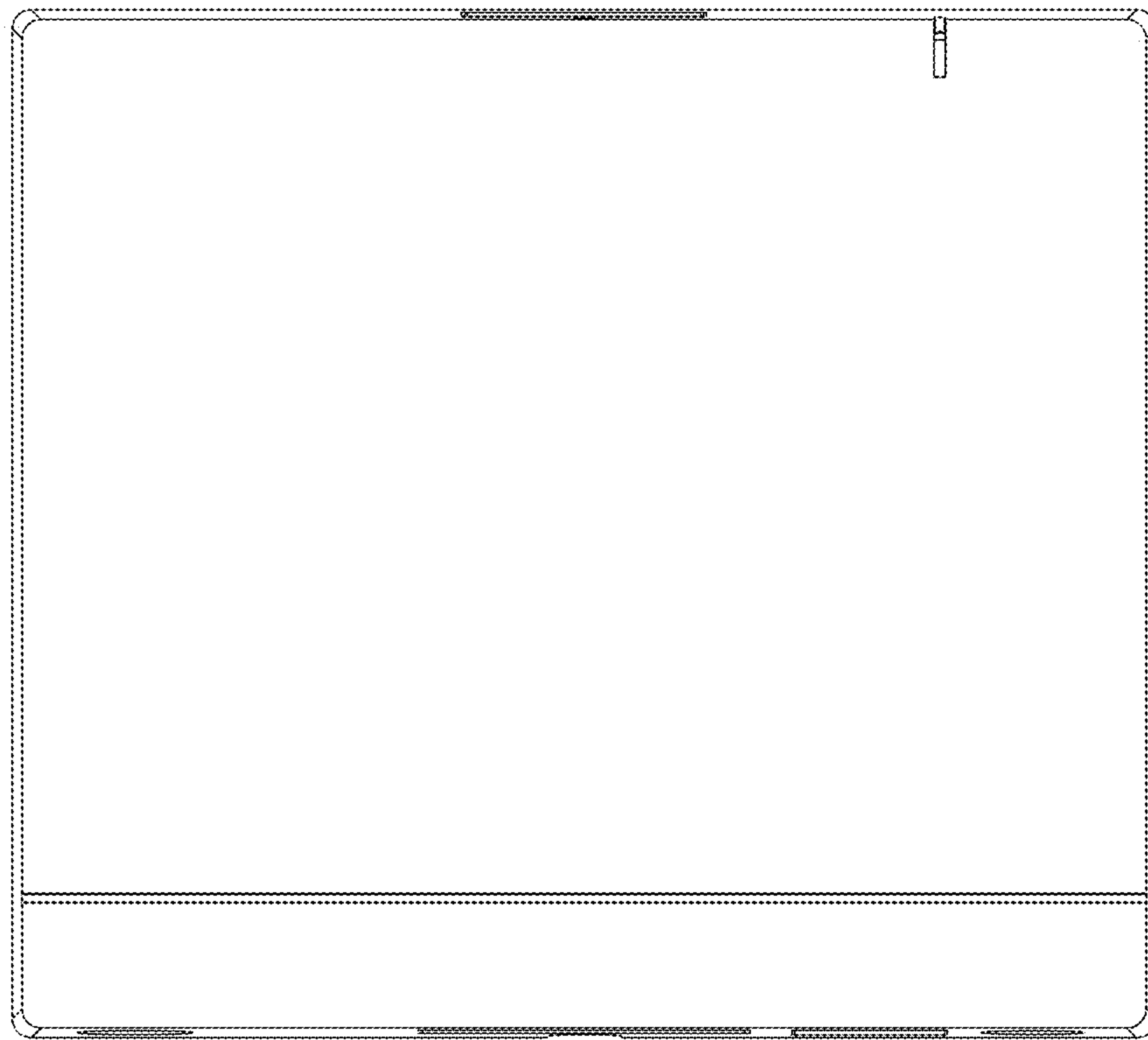


FIG. 2

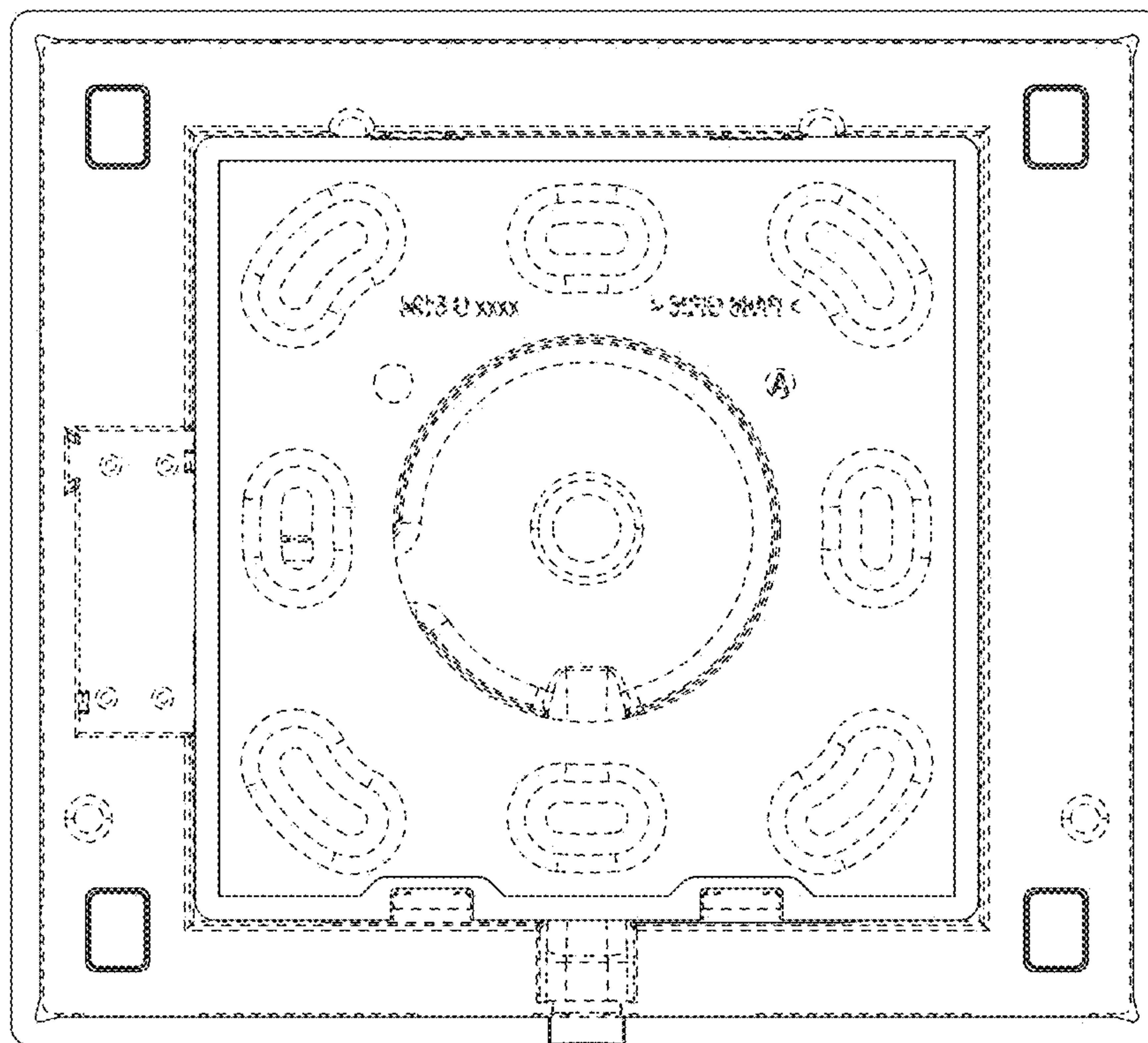


FIG. 3



FIG. 4

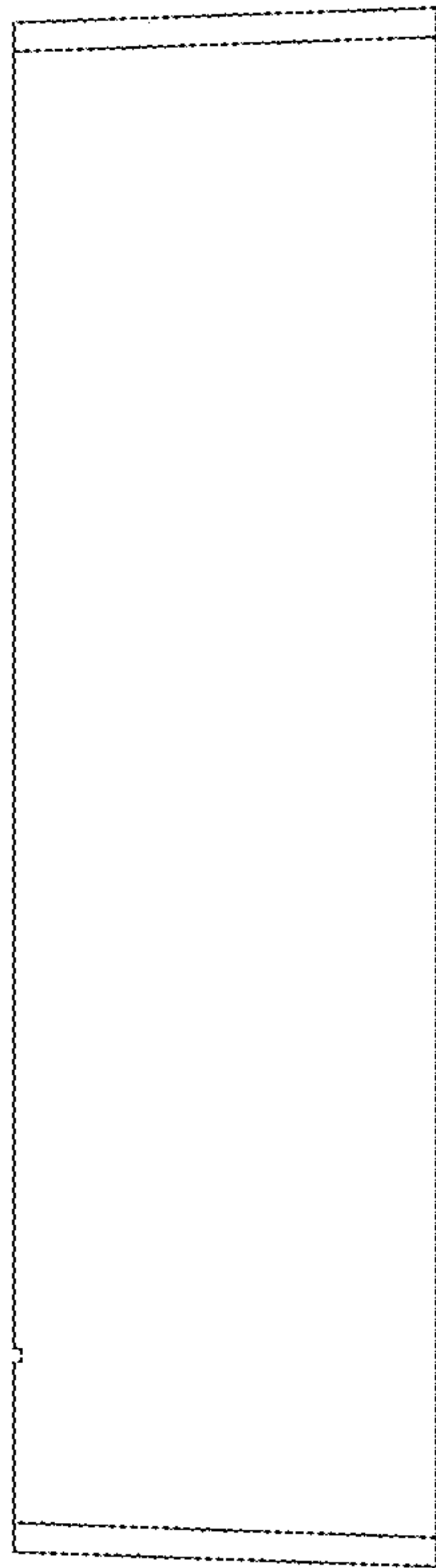


FIG. 5

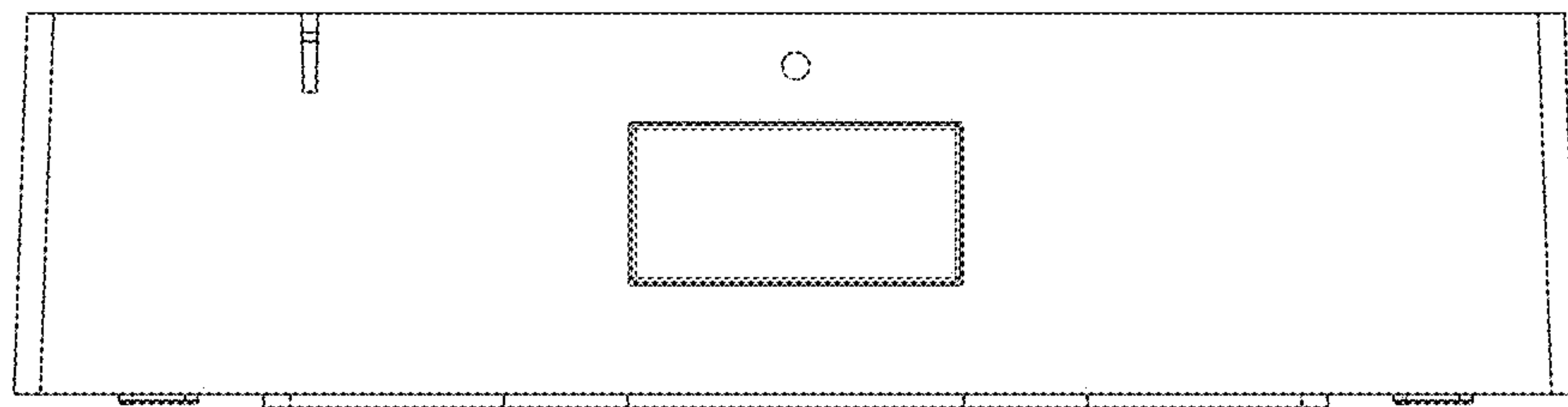


FIG. 6

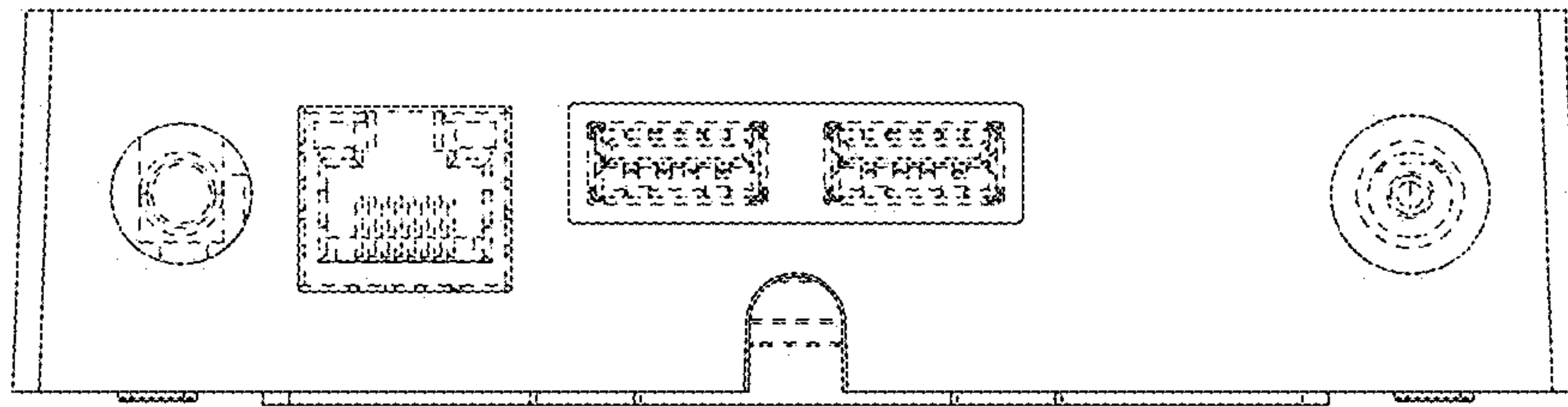


FIG. 7