



US00D906258S

(12) **United States Design Patent**  
**Yang et al.**

(10) **Patent No.:** **US D906,258 S**

(45) **Date of Patent:** **\*\* Dec. 29, 2020**

(54) **CIRCULAR CONNECTOR**

(71) Applicants: **KUNSHAN AMPHENOL ZHENGRI ELECTRONICS CO., LTD.**, Kushan (CN); **Amphenol LTW Technology Co., Ltd.**, New Taipei (TW)

(72) Inventors: **Sheng-Ho Yang**, New Taipei (TW); **Hsu-Chuan Yen**, New Taipei (TW); **Kuan-Yu Pan**, New Taipei (TW); **Shu-Hua Ou Yang**, New Taipei (TW)

(73) Assignees: **KUNSHAN AMPHENOL ZHENGRI ELECTRONICS CO., LTD.**, Kunshan (CN); **AMPHENOL LTW TECHNOLOGY CO., LTD.**, New Taipei (TW)

(\*\*) Term: **15 Years**

(21) Appl. No.: **29/682,181**

(22) Filed: **Mar. 1, 2019**

(51) **LOC (12) Cl.** ..... **13-03**

(52) **U.S. Cl.**  
USPC ..... **D13/154**

(58) **Field of Classification Search**  
USPC ..... D13/120, 133, 146, 148, 149, 150, 151, D13/153, 154, 155, 157, 173, 199; D23/259, 262  
CPC ..... H01R 4/00; H01R 12/70; H01R 13/052  
See application file for complete search history.

(56) **References Cited**

**U.S. PATENT DOCUMENTS**

D245,977 S *	10/1977	Mouffet	.....	D13/133
D461,167 S *	8/2002	Montena	.....	D13/154
D553,081 S *	10/2007	Victor	.....	D13/133
D574,780 S *	8/2008	Chawgo	.....	D13/133
D607,830 S *	1/2010	Shaw	.....	D13/151
D617,287 S *	6/2010	Amidon	.....	D13/154

D661,659 S *	6/2012	Natoli	.....	D13/151
D662,062 S *	6/2012	Eriksen	.....	D13/151
D726,123 S *	4/2015	Su	.....	D13/154
D867,290 S *	11/2019	Wang	.....	D13/133
2008/0064259 A1 *	3/2008	Amidon	.....	H01R 11/11 439/578
2010/0285691 A1 *	11/2010	Rodrigues	.....	H01R 13/622 439/578

(Continued)

**OTHER PUBLICATIONS**

“Amphenol K Series Circular Connector”. Found online Jul. 14, 2020 at amphenolltw.com. Reference dated Sep. 4, 2018. Retrieved from [https://www.amphenolltw.com/2012download/2D%20PDF/25\\_FLO/FLBB-XXFGMS-XCP-2XX.pdf](https://www.amphenolltw.com/2012download/2D%20PDF/25_FLO/FLBB-XXFGMS-XCP-2XX.pdf). (Year: 2018).\*

(Continued)

*Primary Examiner* — Kendra Leslie Hamilton

*Assistant Examiner* — Amanda Christensen

(74) *Attorney, Agent, or Firm* — Chun-Ming Shih; HDLA IPR Services

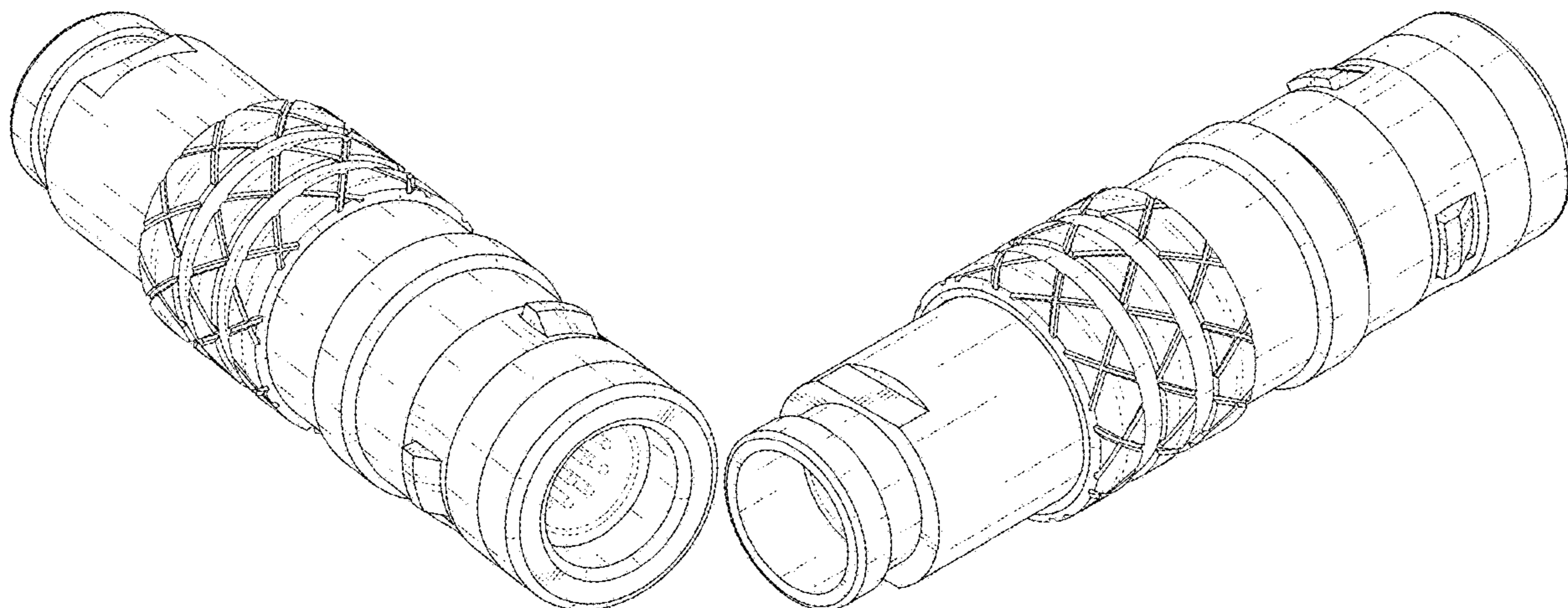
(57) **CLAIM**

The ornamental design for a circular connector, as shown and described.

**DESCRIPTION**

FIG. 1 is a right perspective view of a circular connector, showing our new design;  
FIG. 2 is a front elevation view thereof;  
FIG. 3 is a rear elevation view thereof;  
FIG. 4 is a left side elevation view thereof;  
FIG. 5 is a right elevation view thereof;  
FIG. 6 is a top plan view thereof;  
FIG. 7 is a bottom plan view thereof; and,  
FIG. 8 is a left perspective view thereof.  
The broken lines depict portions of the circular connector that form no part of the claimed design.

**1 Claim, 8 Drawing Sheets**



(56)

**References Cited**

U.S. PATENT DOCUMENTS

2012/0270439 A1\* 10/2012 Tremba ..... H01R 9/0524  
439/578

OTHER PUBLICATIONS

“Odu Mini-Snap K Series”. Found online Jul. 14, 2020 at mouser.com. Reference dated Dec. 15, 2016. Retrieved from [https://www.mouser.com/datasheet/2/941/MINI-SNAP\\_K\\_SERIES\\_S21K0C-P16MCC0-550S-1597090.pdf](https://www.mouser.com/datasheet/2/941/MINI-SNAP_K_SERIES_S21K0C-P16MCC0-550S-1597090.pdf). (Year: 2016).\*

“F Series Metal Circular Push Pull Self Locking Connector”. Found online Jul. 14, 2020 at ecvv.org. Reference dated Feb. 4, 2017. Retrieved from <https://web.archive.org/web/20170204150535/https://www.ecvv.com/product/4644217.html>. (Year: 2017).\*

\* cited by examiner

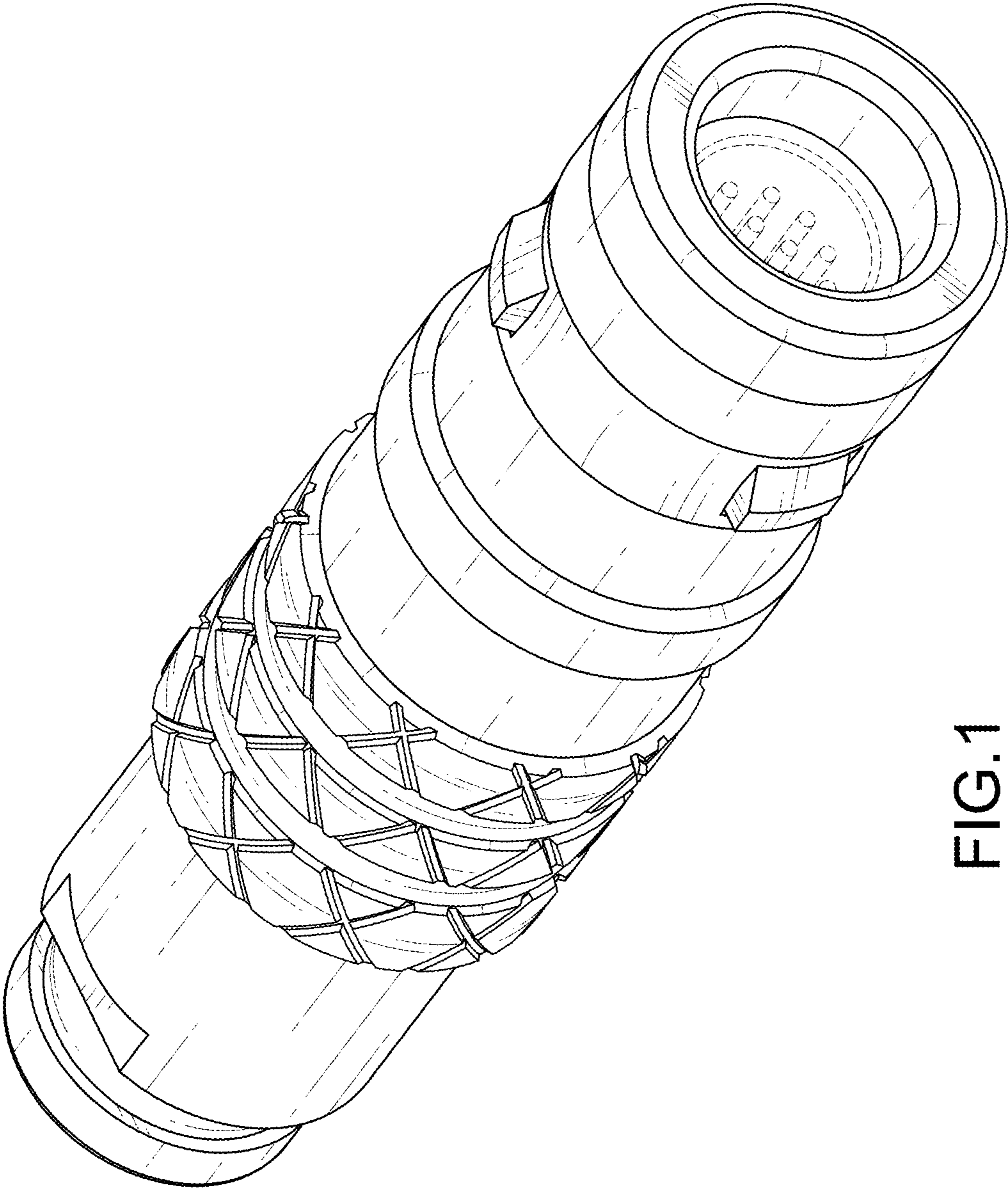


FIG.1

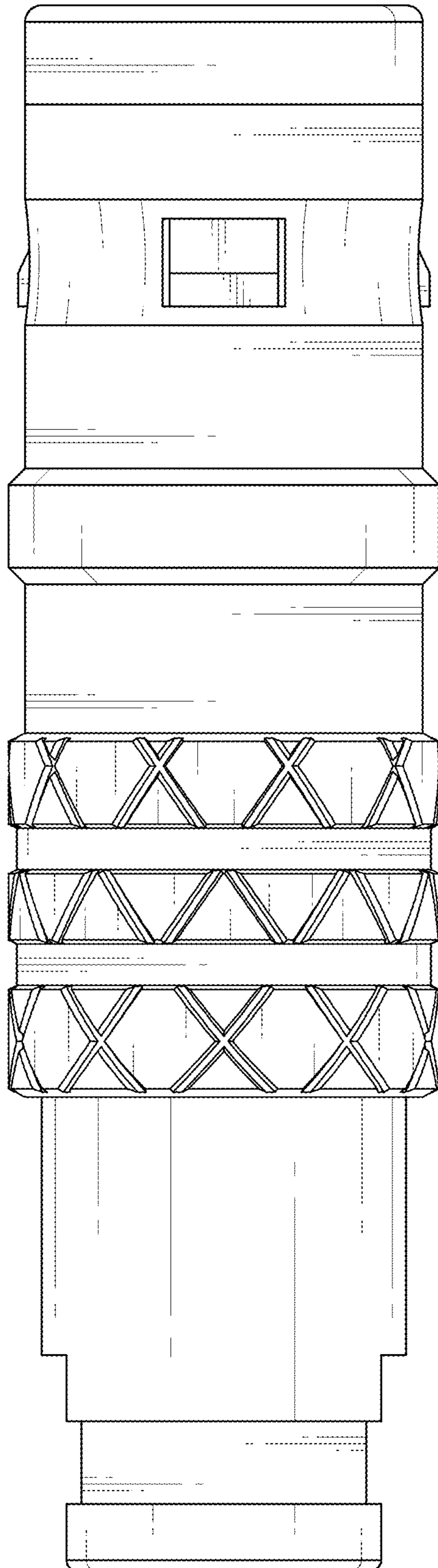


FIG.2

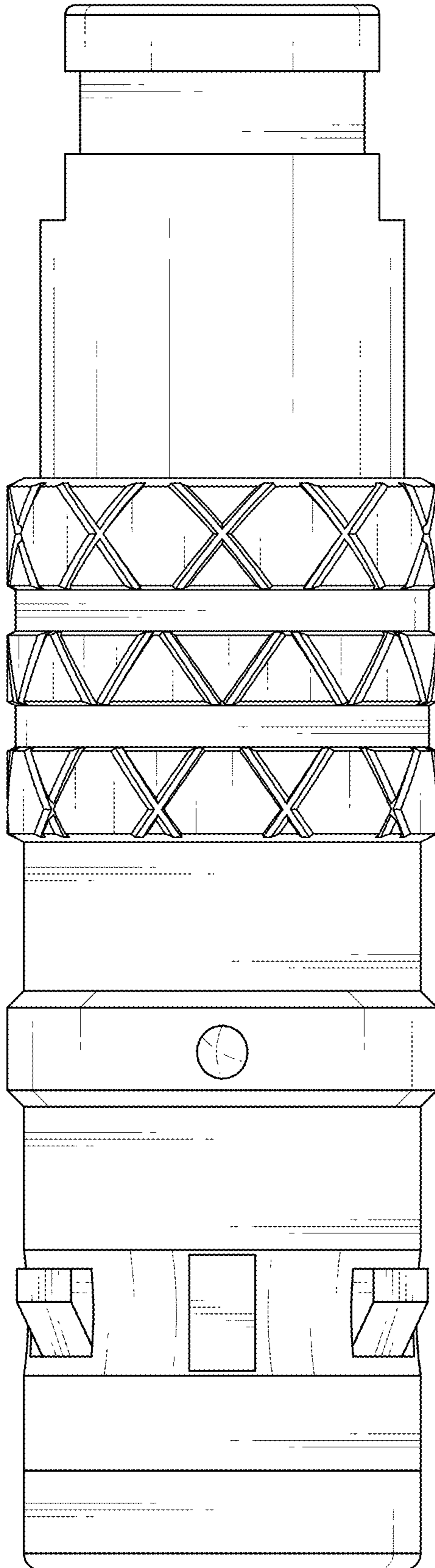


FIG.3

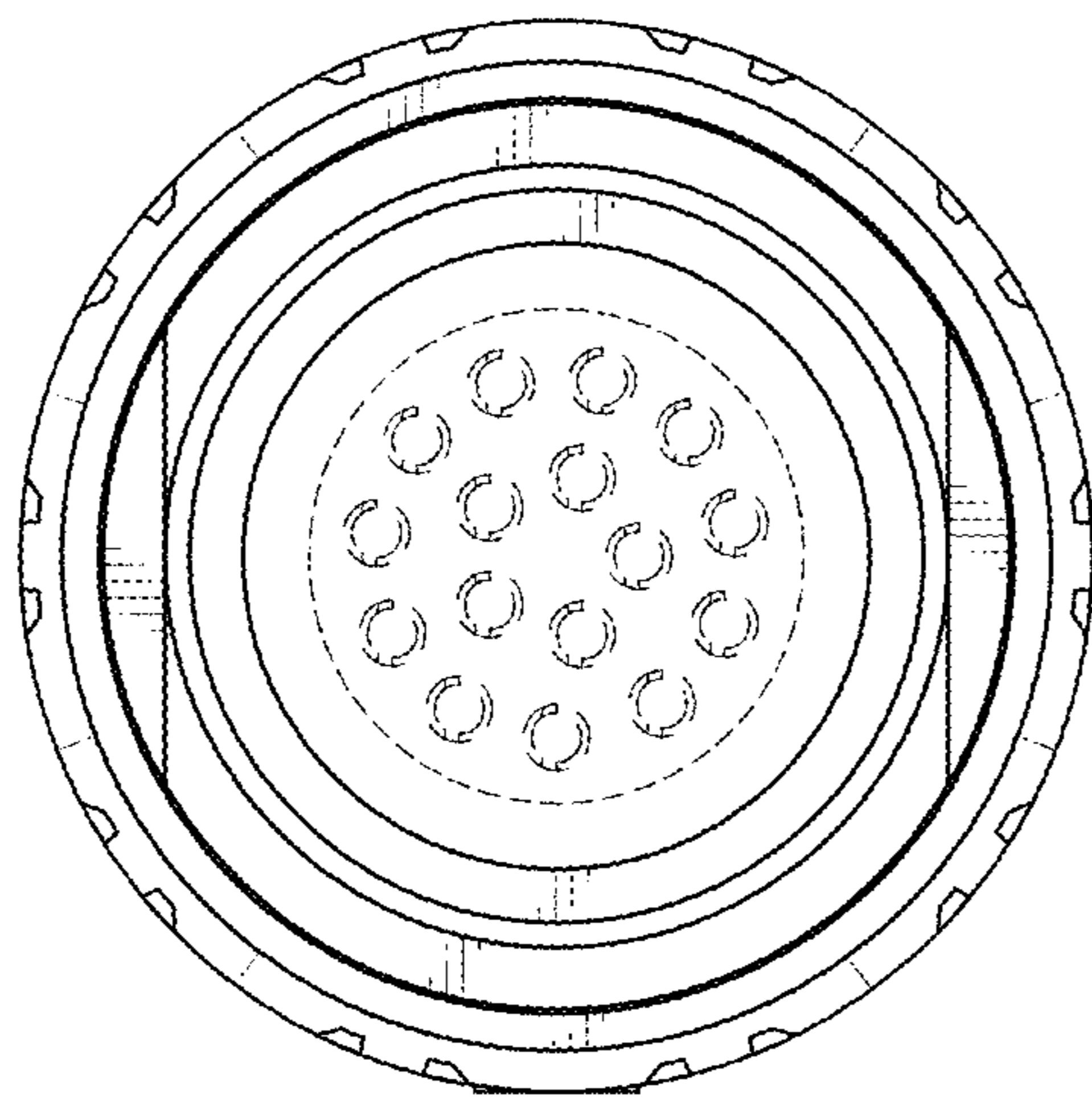


FIG.4

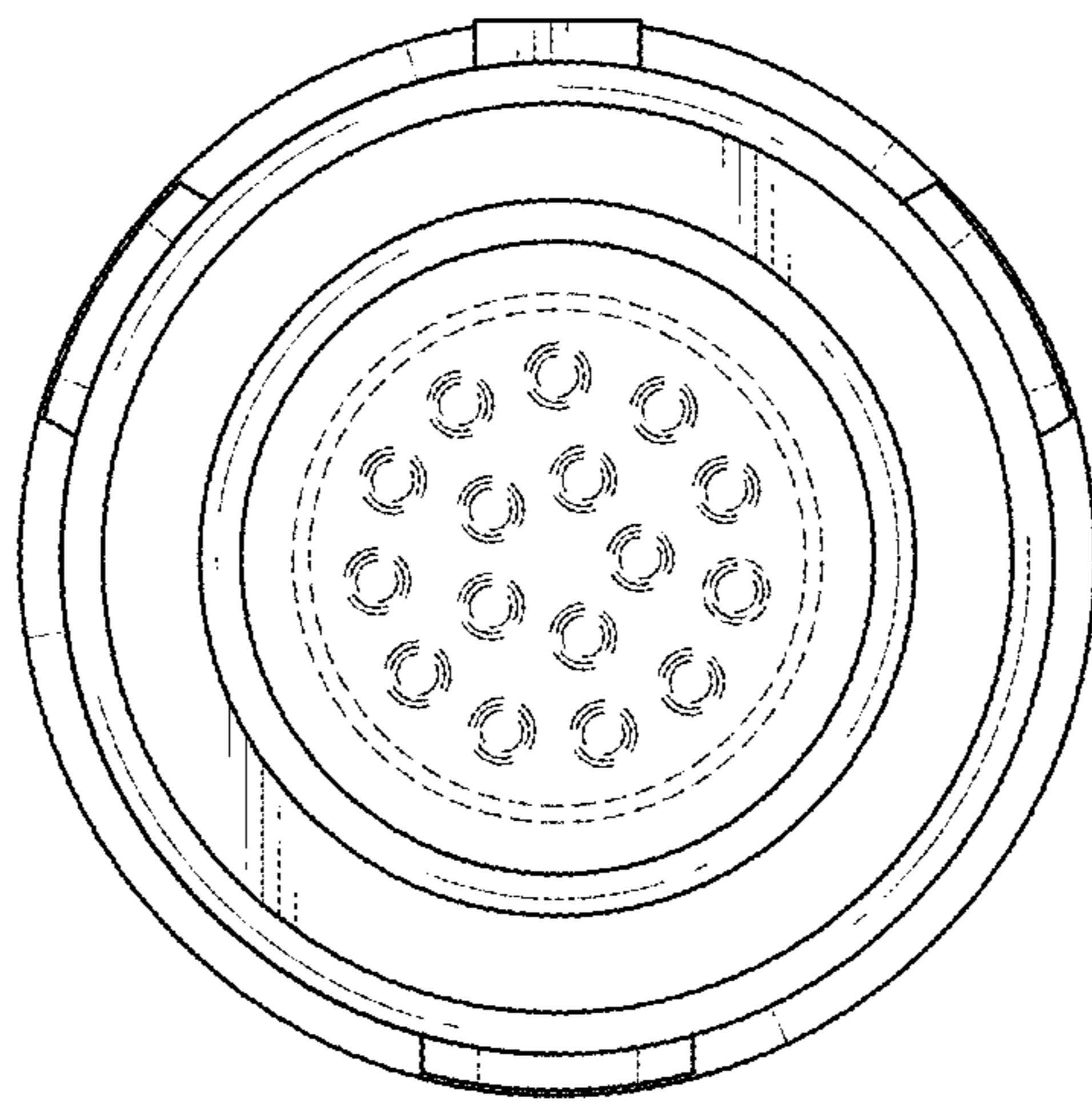


FIG.5

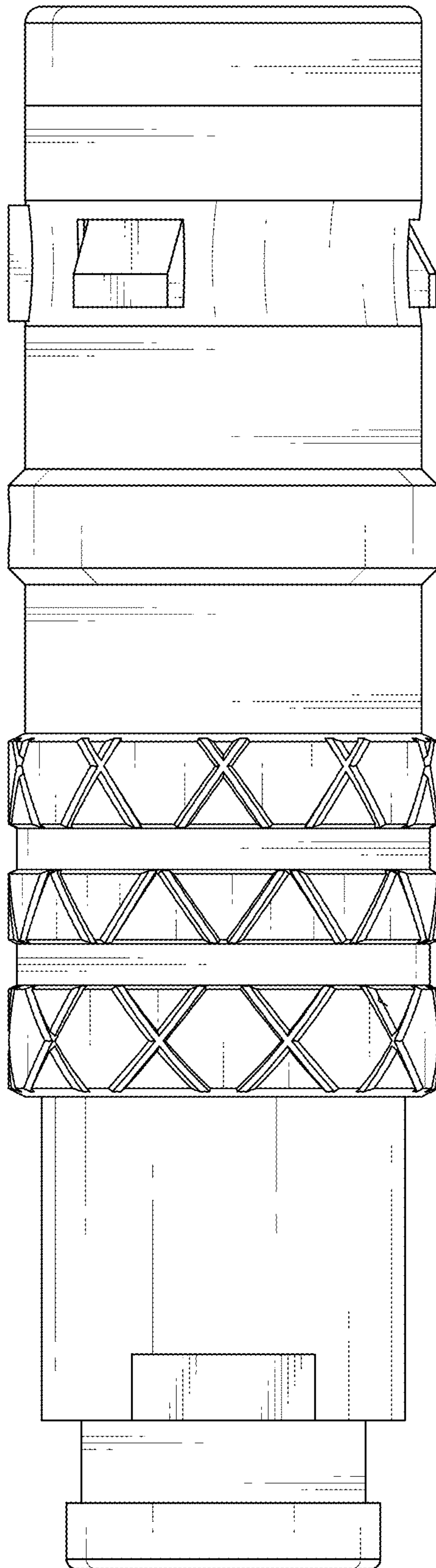


FIG.6



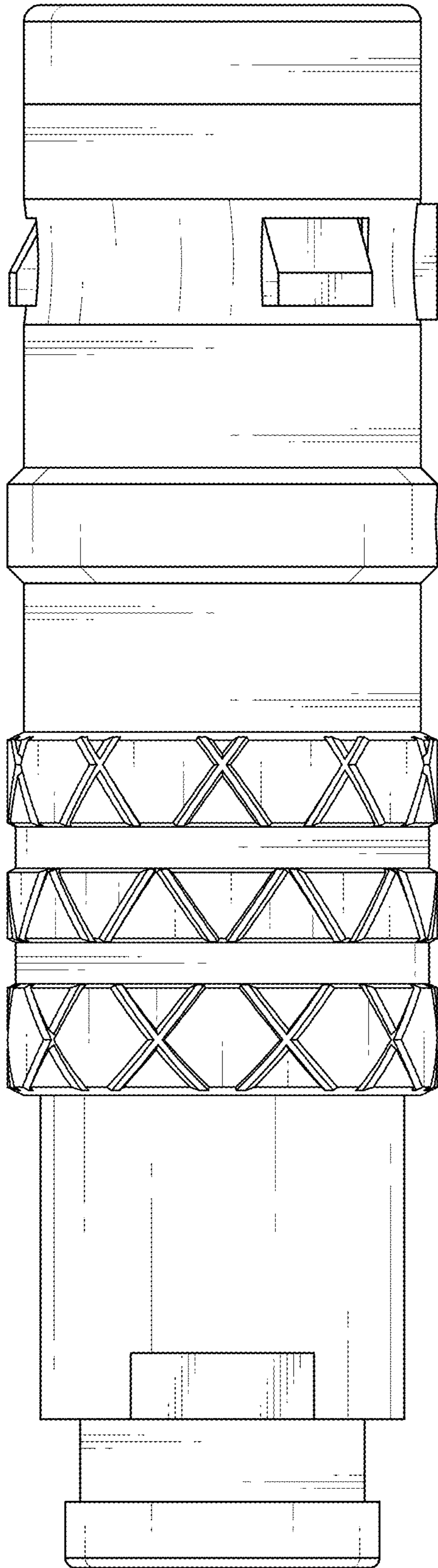


FIG.7

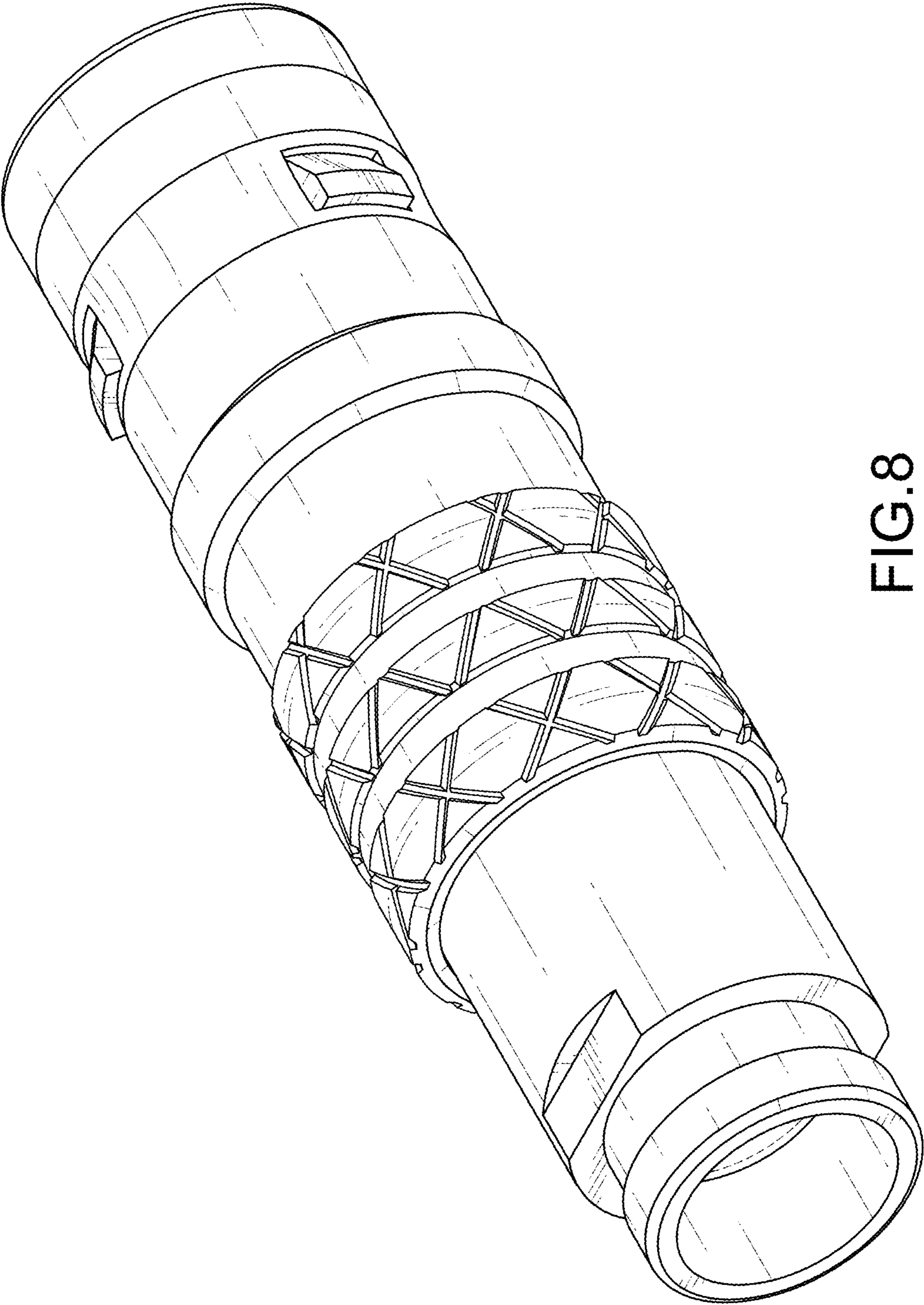


FIG.8